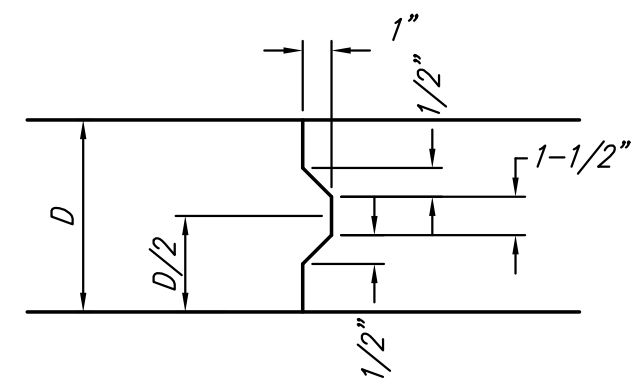
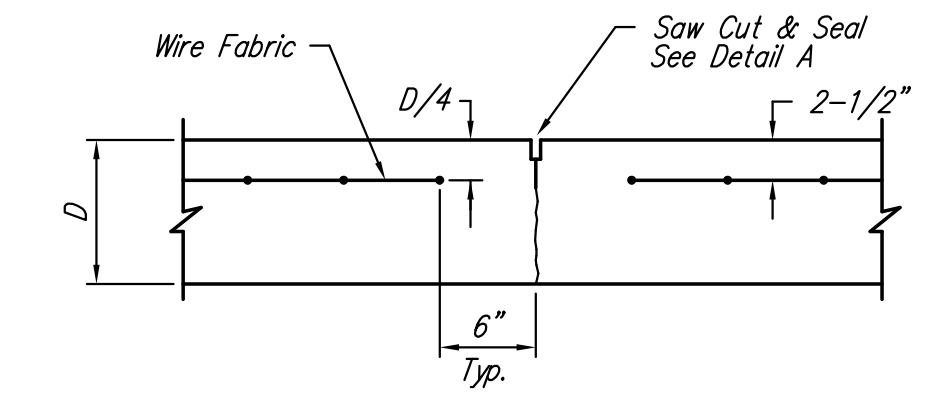


EXPANSION JOINT

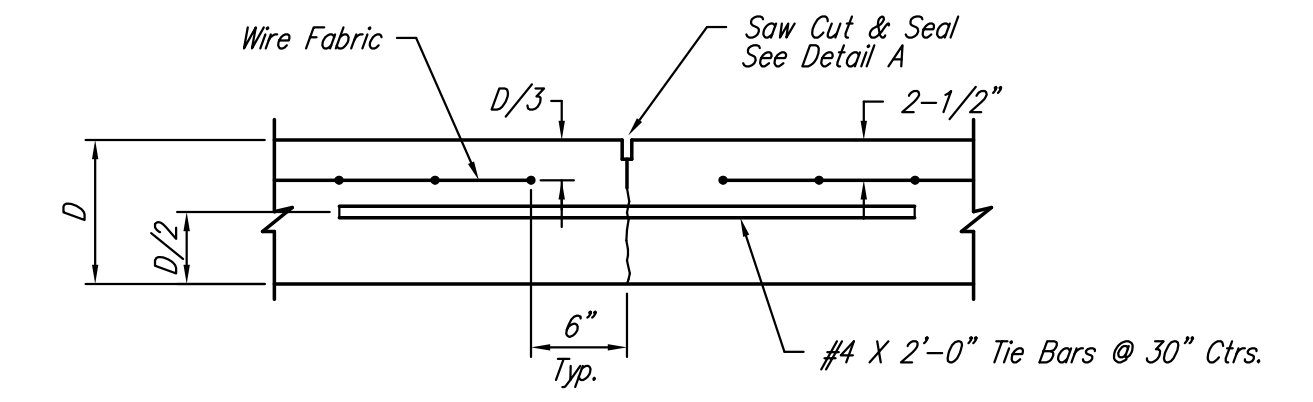
NOTE: Extra Thickness to be Subsidiary to Price of Square Yards Pavement



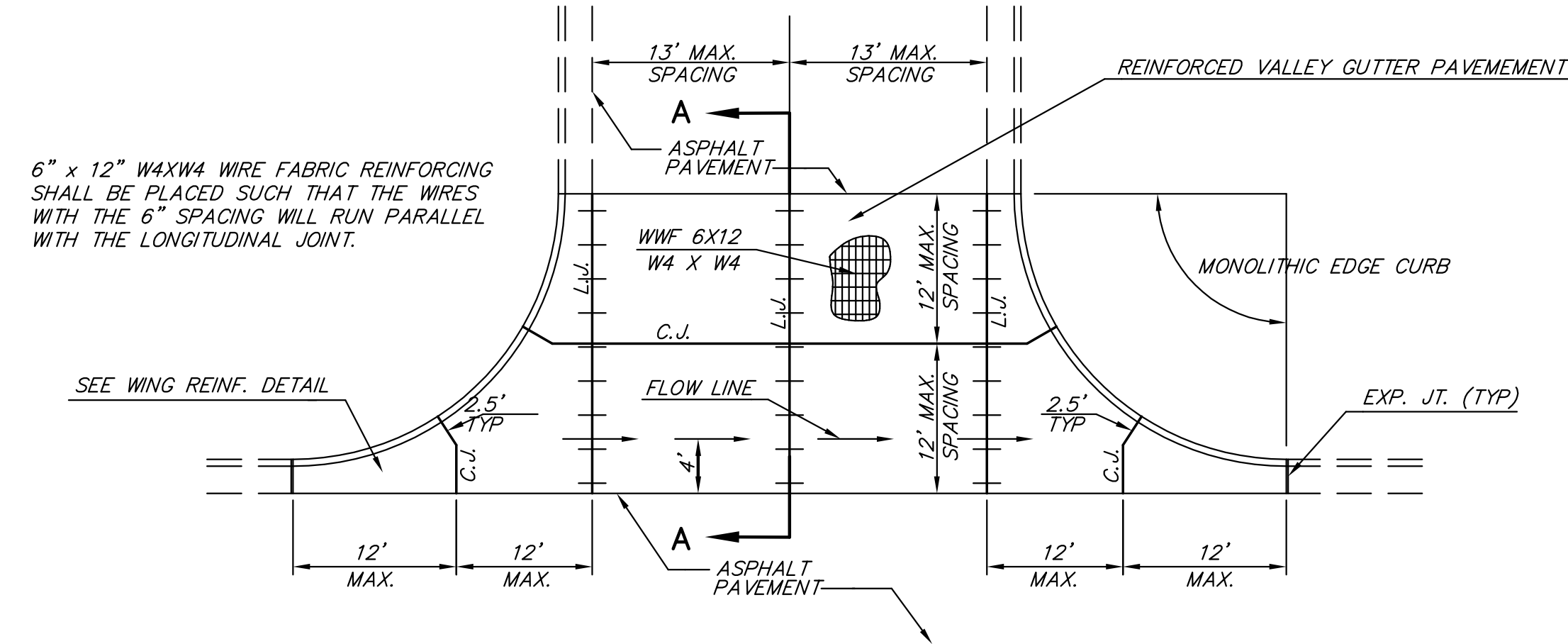
KEYWAY DETAIL



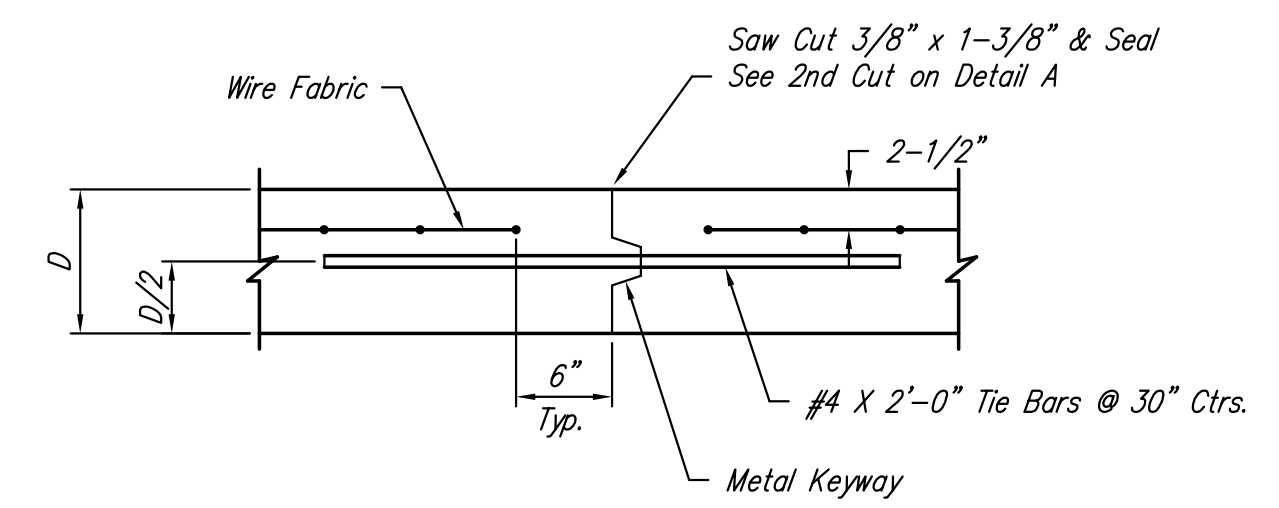
CONTRACTION JOINT DETAIL (C.J.)



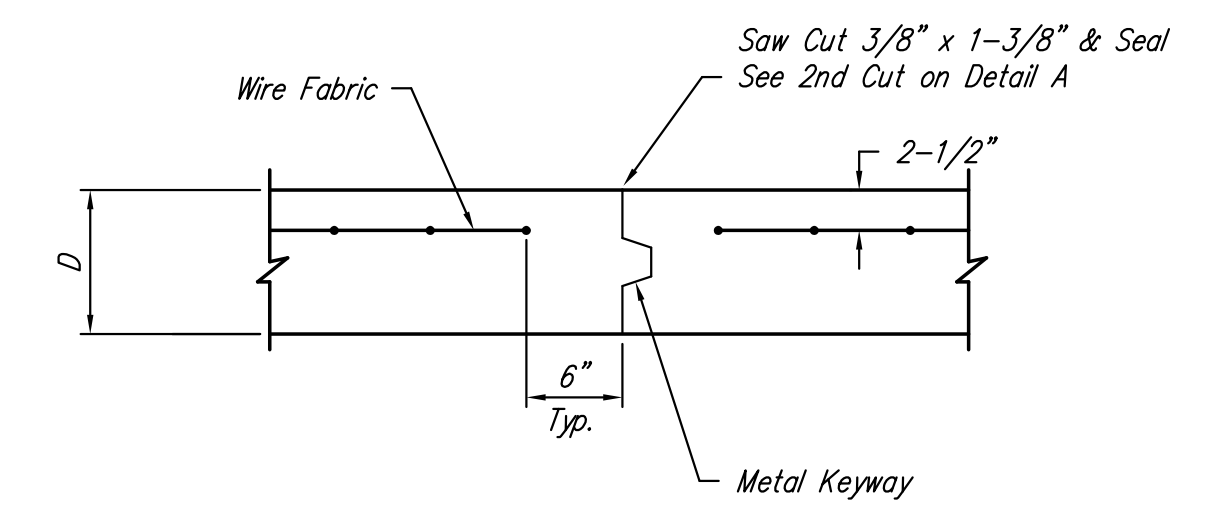
LONGITUDINAL JOINT DETAIL (L.J.)



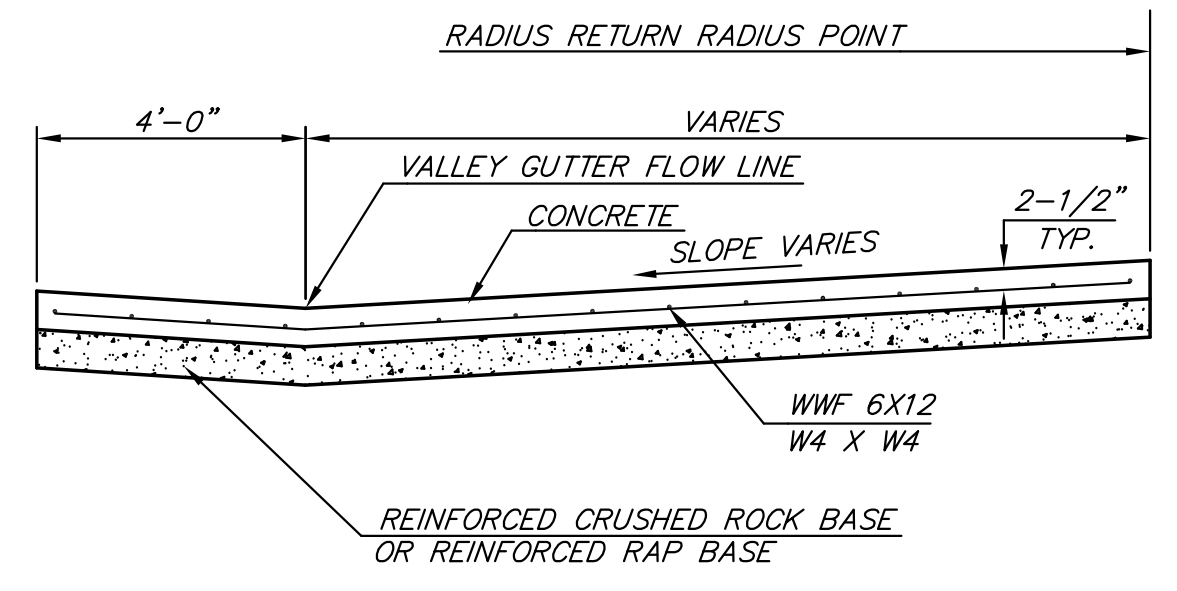
PLAN



OPTIONAL CONTRACTION JOINT

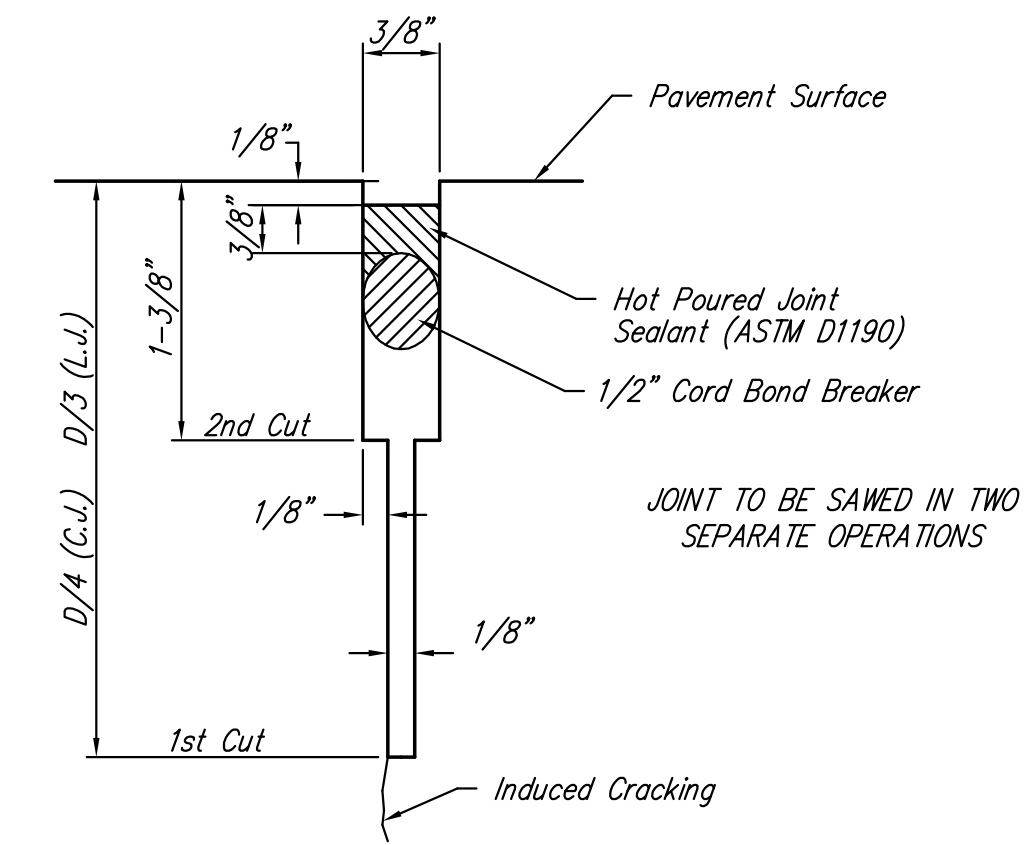


OPTIONAL LONGITUDINAL JOINT DETAIL (L.J.)

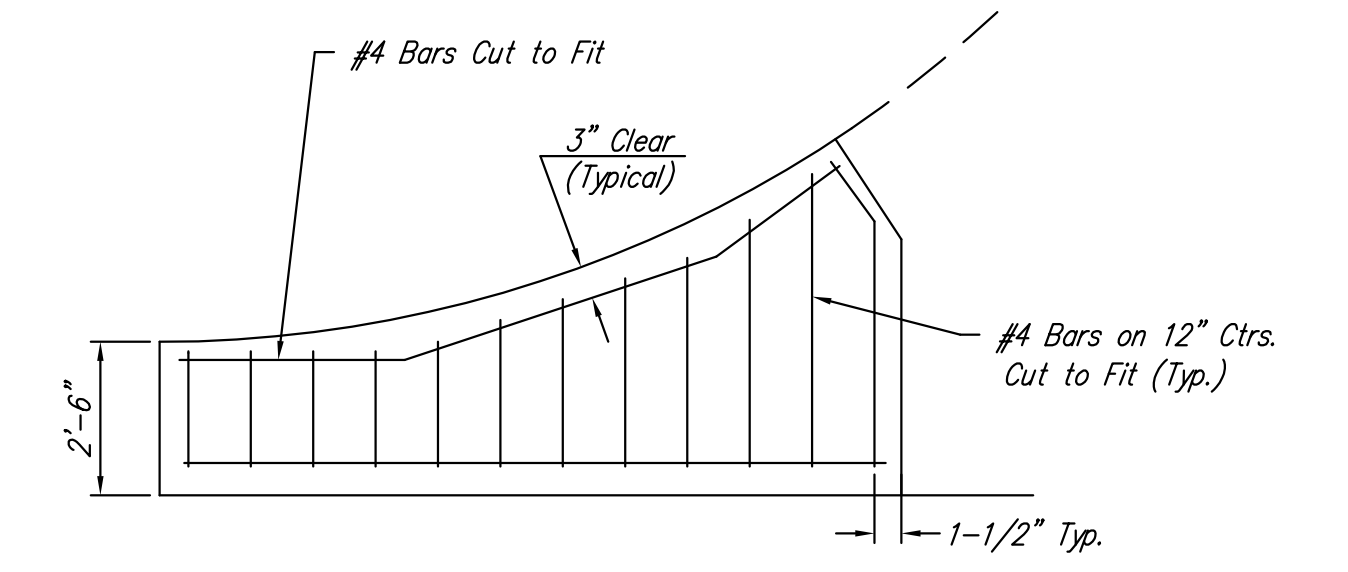


SECTION A-A

REINFORCED VALLEY GUTTER DETAIL



SAW JOINT DETAIL



WING REINFORCING DETAIL

<p>THE CITY OF WICHITA</p>	VALLEY GUTTER DETAILS	
	JAMES L. ARMOUR, P.E. - CITY ENGINEER	
	PROJECT NUMBER 472-84612	OCA NUMBER 766202
	DATE Mar 08	Sheet 5 of 34

J:\CIVIL\08201\07165\PAV\BIDS\07165_ED4.DWG