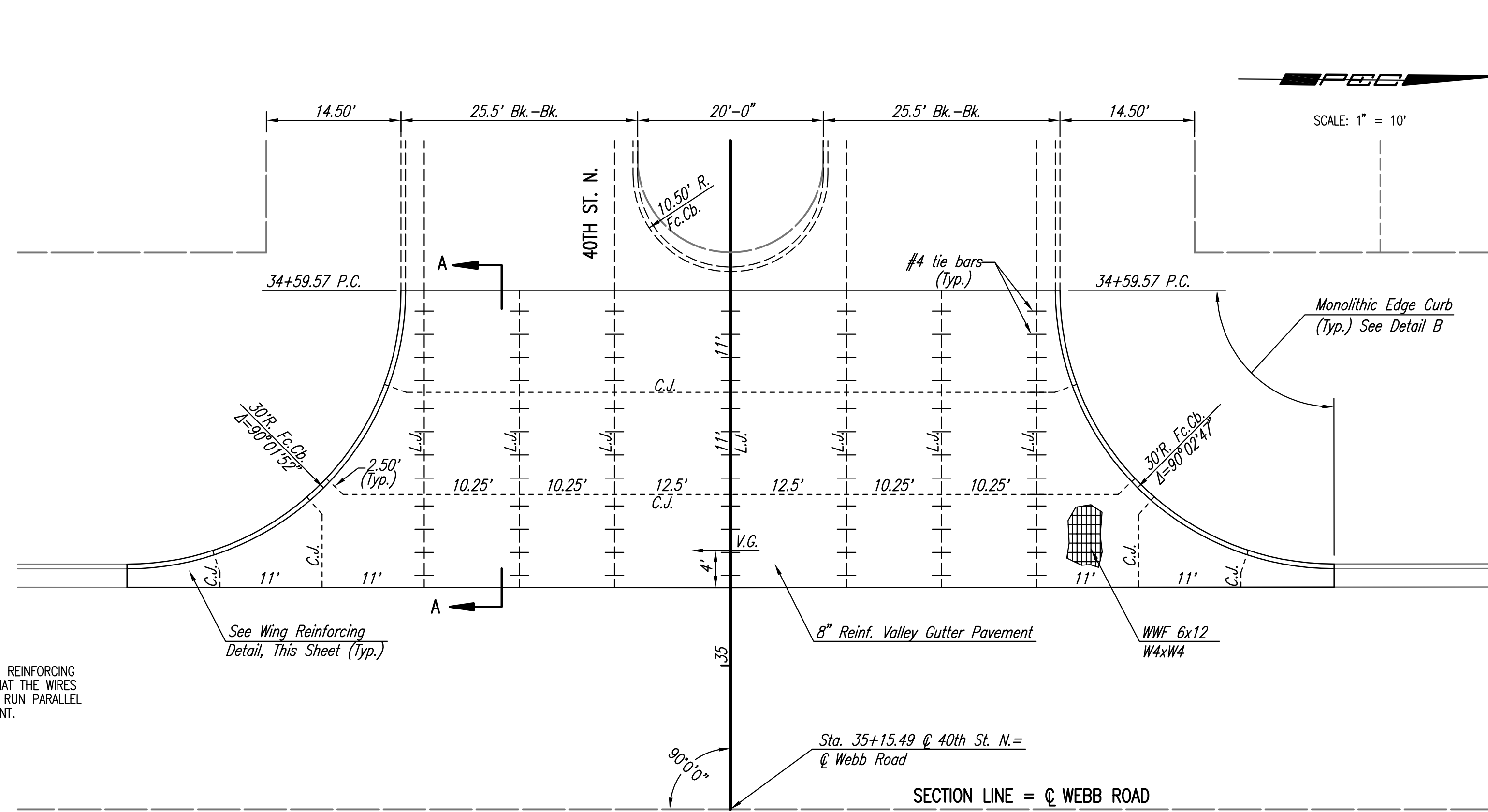
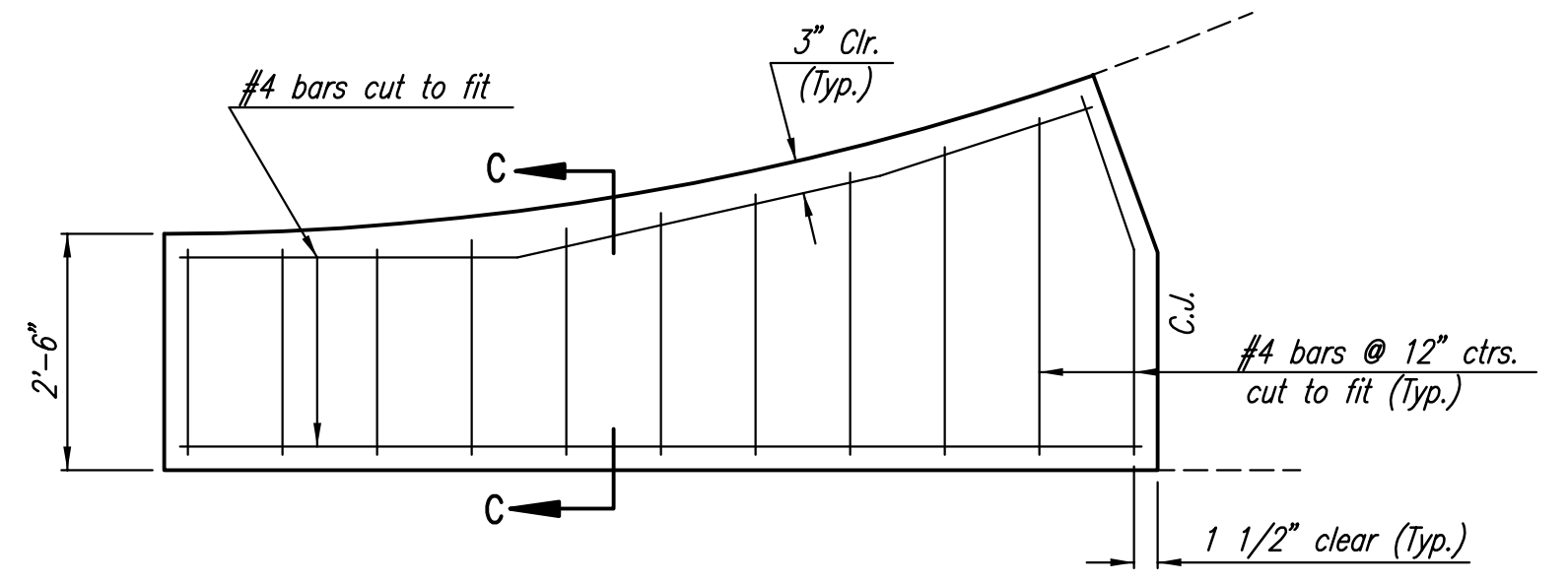


PLAN  
REINFORCED VALLEY GUTTER

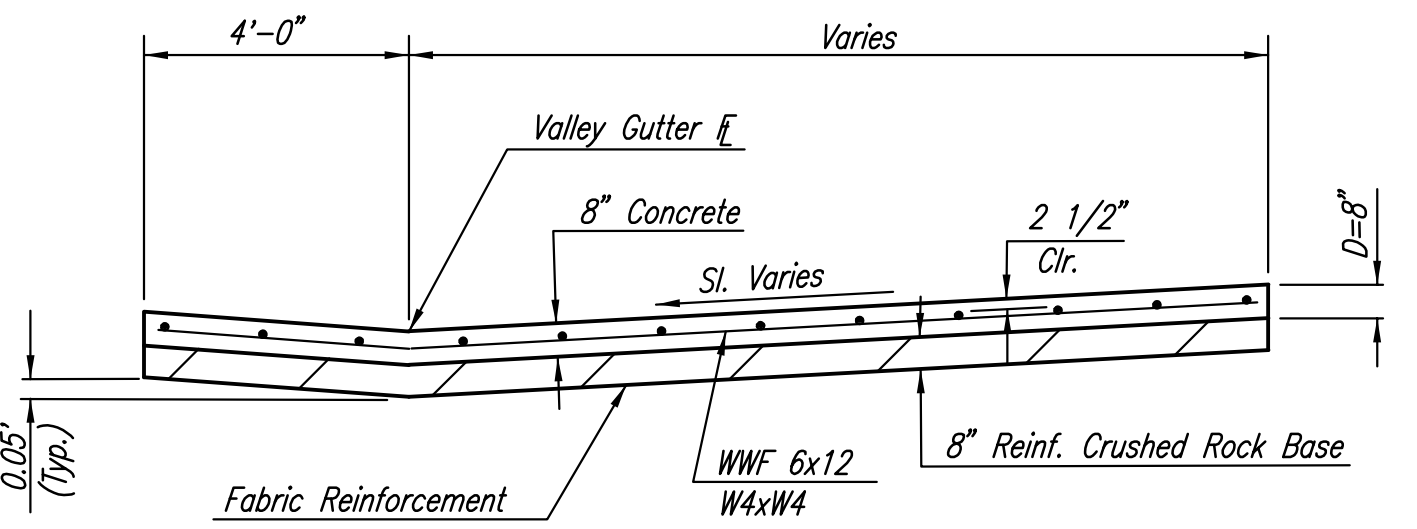


PLAN  
REINFORCED VALLEY GUTTER



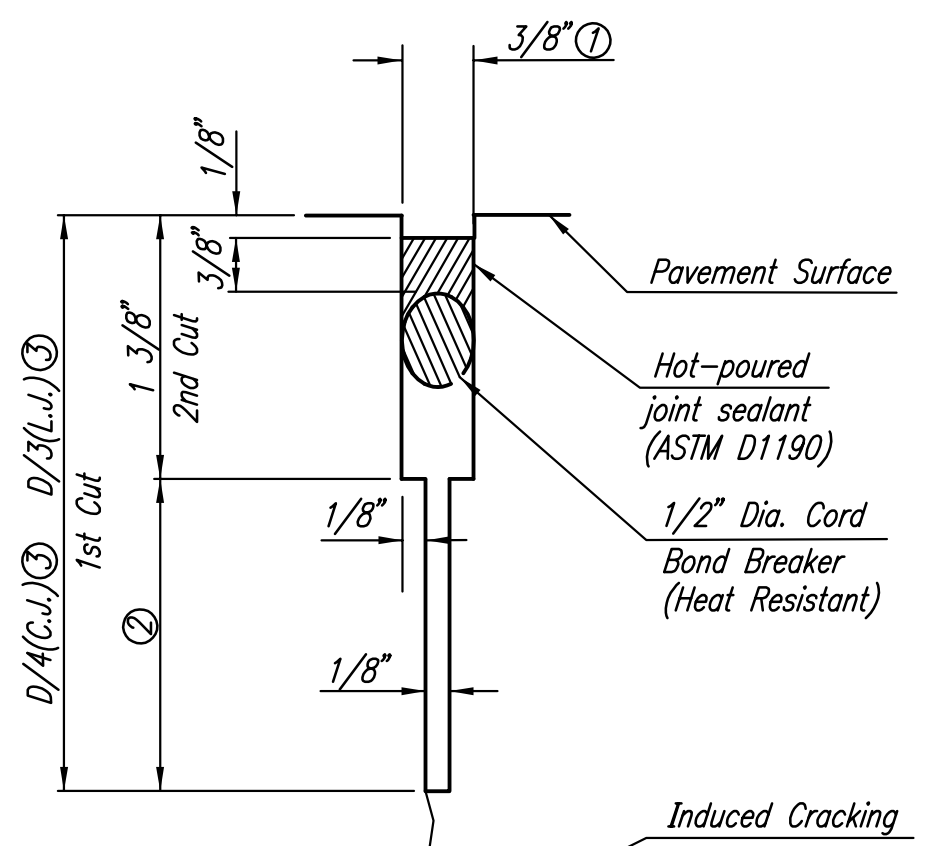
WING REINFORCING DETAIL

NOTE: OMIT WIRE FABRIC REINFORCING IN THIS SECTION.



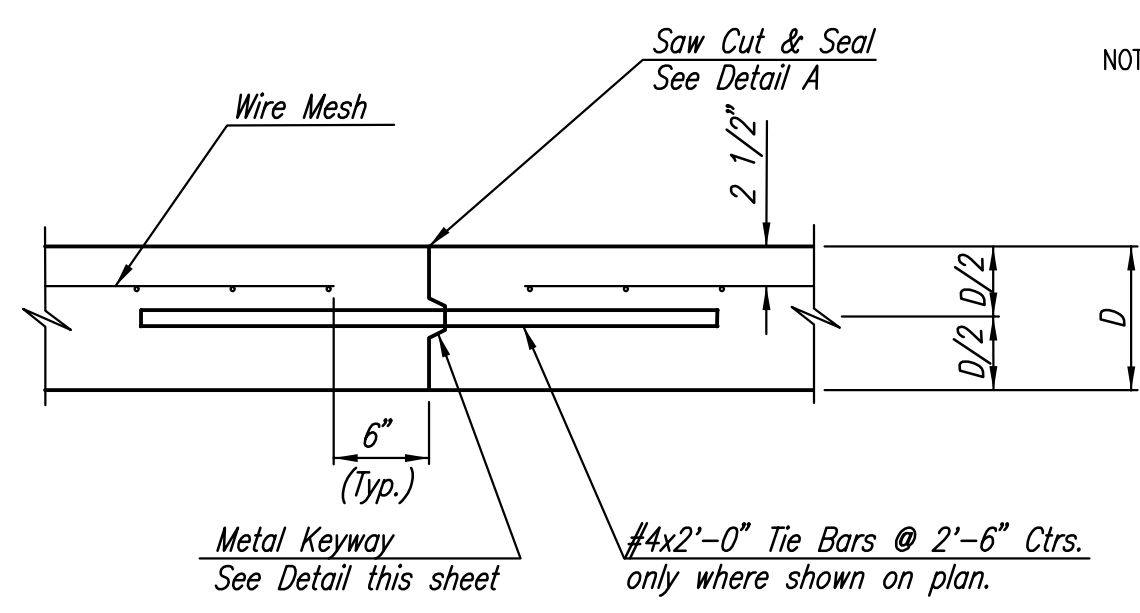
SECTION A-A

NOTE: OMIT REINFORCING MESH AT ALL JOINTS  
NOTE: ALL CONCRETE VALLEY GUTTER REINFORCEMENT SHALL BE ADEQUATELY SUPPORTED BY BAR CHAIRS IN THE REQUIRED POSITION UNLESS APPROVED OTHERWISE BY THE ENGINEER.

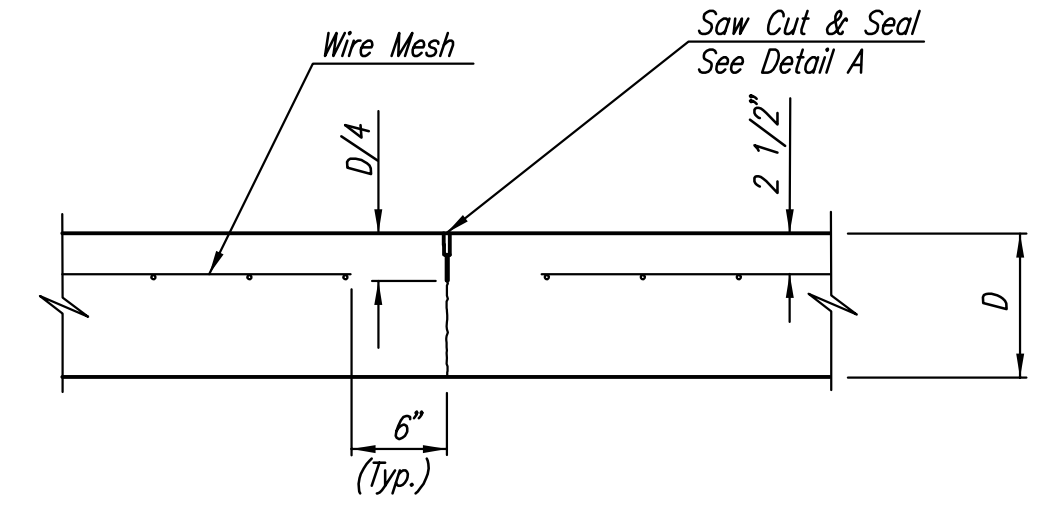


DETAIL A

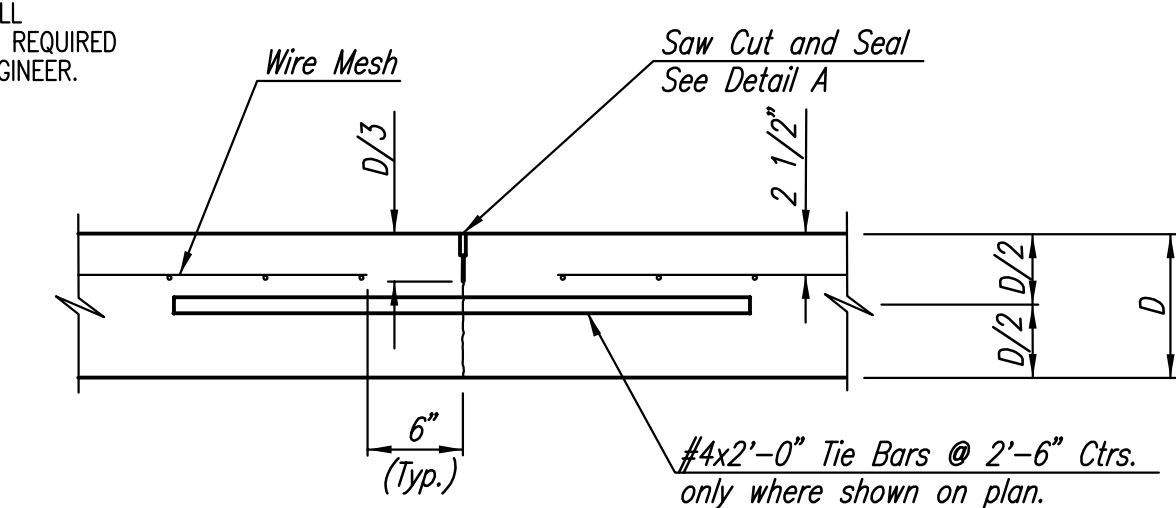
- ① To be accomplished in 2 cuts for Longitudinal Joints and Contraction Joints. Initial cut to be 1/8" wide.
- ② Eliminate bottom of cut when metal keyway is used as part of Longitudinal or Transverse Construction Joint and at Doweled Construction Joint Locations.
- ③ 1 1/2" Minimum



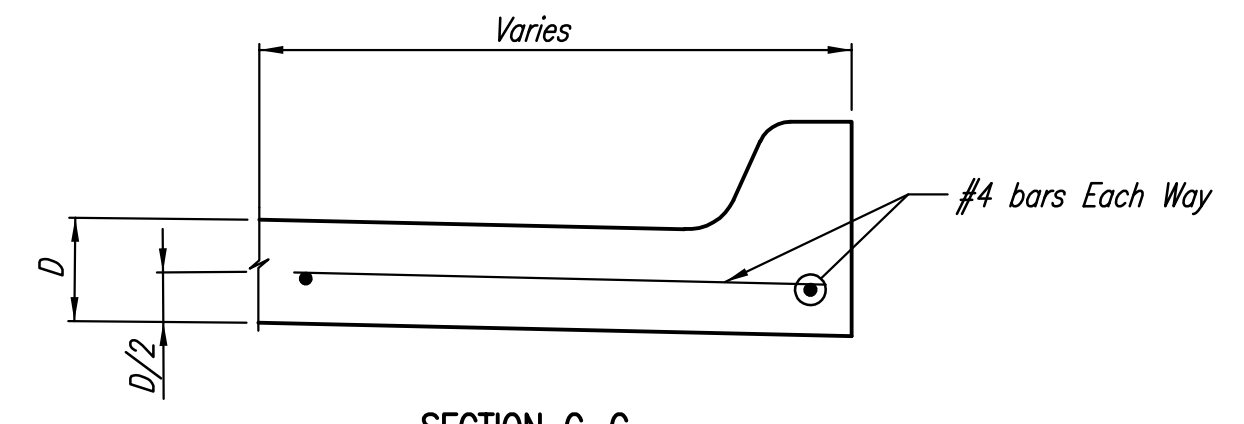
LONGITUDINAL CONSTRUCTION JOINT DETAIL  
REINFORCED PAVEMENT  
(TRANSVERSE SECTION)  
(ALTERNATE L.J.)



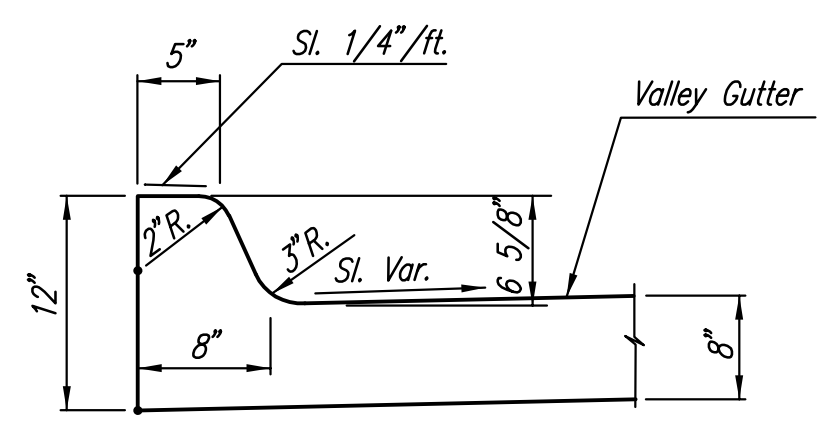
CONTRACTION JOINT DETAIL  
REINFORCED PAVEMENT  
(C.J.)



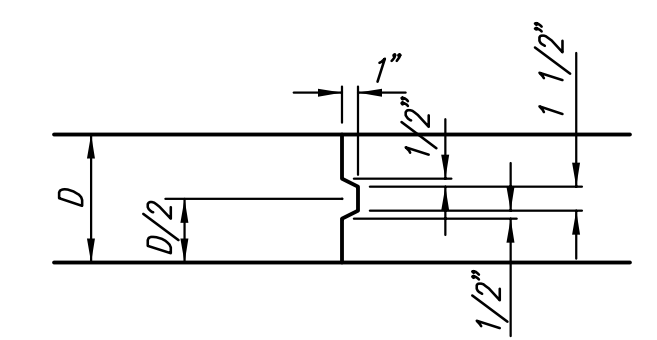
LONGITUDINAL JOINT DETAIL  
REINFORCED PAVEMENT  
(TRANSVERSE SECTION)  
(L.J.)



SECTION C-C

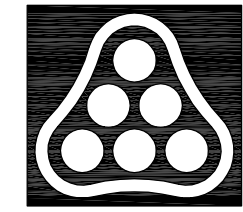


DETAIL B



KEYWAY DETAIL

Served 04-12-2008 08:25:00 AM  
 Plot Scale  
 04/2007/07593/000/07593-000-C-VALGUTPLAN



No.	Revision	By	Date
WEBB BUSINESS PARK PAVING AND INCIDENTAL DRAINAGE IMPROVEMENTS <b>VALLEY GUTTER PLAN</b> JAMES L. ARMOUR, P.E. - CITY ENGINEER CITY OF WICHITA PROJECT NO. 472-84611 <b>Professional Engineering Consultants, P.A.</b> 303 S. TOPEKA • WICHITA, KANSAS 67202 316-262-2691 • FAX 316-262-3003			
Designed by	BMM	Job No.	35-07593-000
Drawn by	BJS, TAT	Date	June 2007
			Sheet 13 of 46