

PLAN	CHECKED	CHECKED	DATE

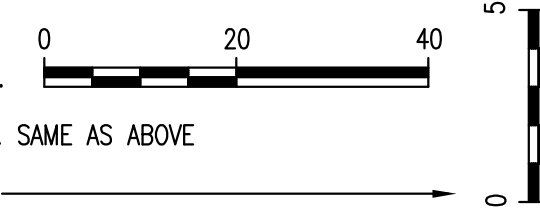
PROFILE	CHECKED	CHECKED	DATE

Saved: 04-12-2008 10:40:16 AM by BJS
 Plot Scale
 04/2007/075847000/018432000/0225WSJAME 1B & 1C

Sta. 30+00.0 SWS Line No. 1B=
 Sta. 10+00.0 SWS Line No. 1=
 Sta. 25+00.0 SWS Line No. 1A=
 @ 40th St. N. Sta. 20+44.23, 24.67' Lt.
 Std. Type 1A Curb Inlet
 L=10'-0", W=5'-0"
 Top Elev.=216.20

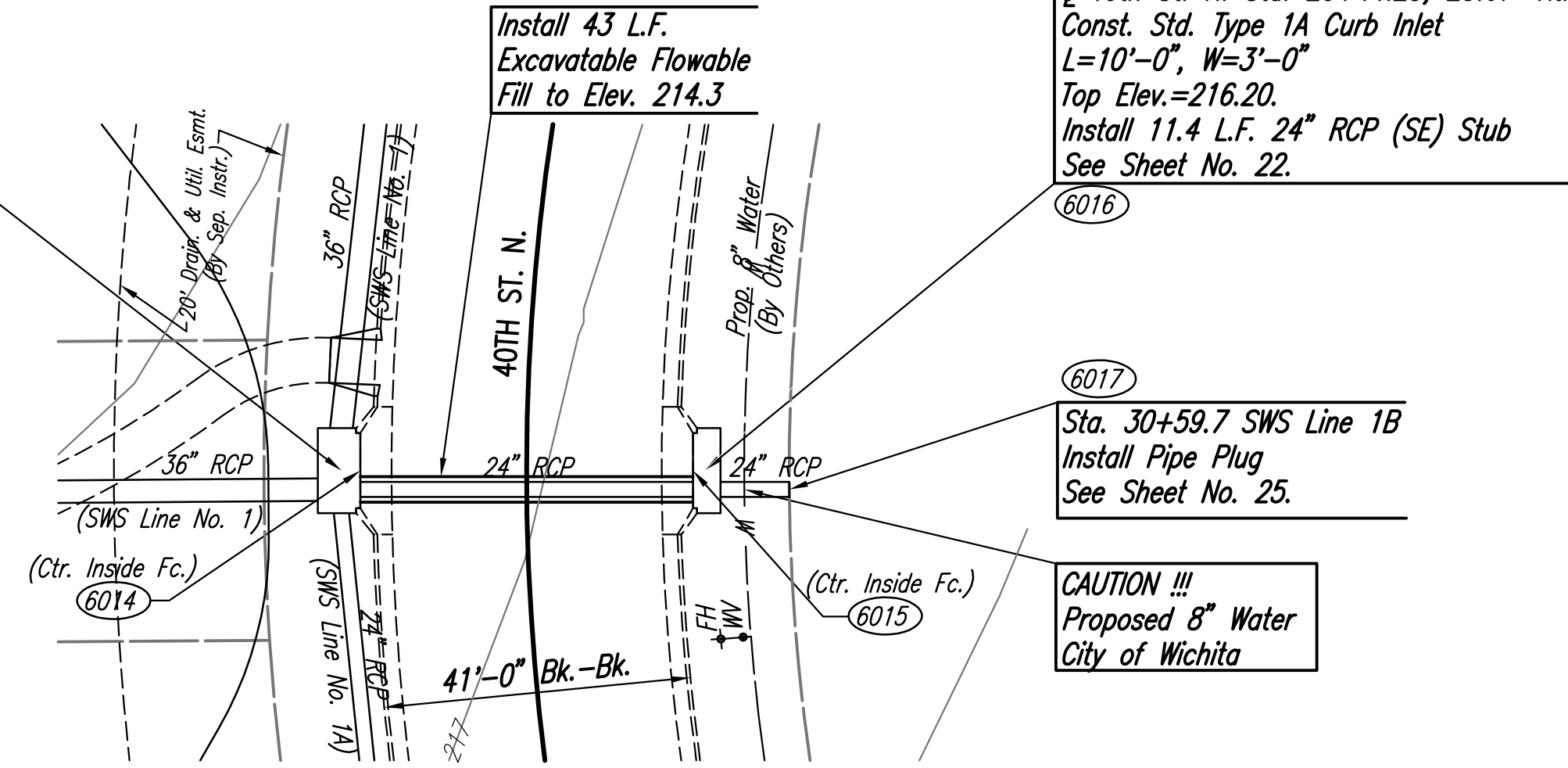
PLAN: LAT. & LONG.
 PROFILE: HORIZ. SAME AS ABOVE
 VERT. _____

SCALE:

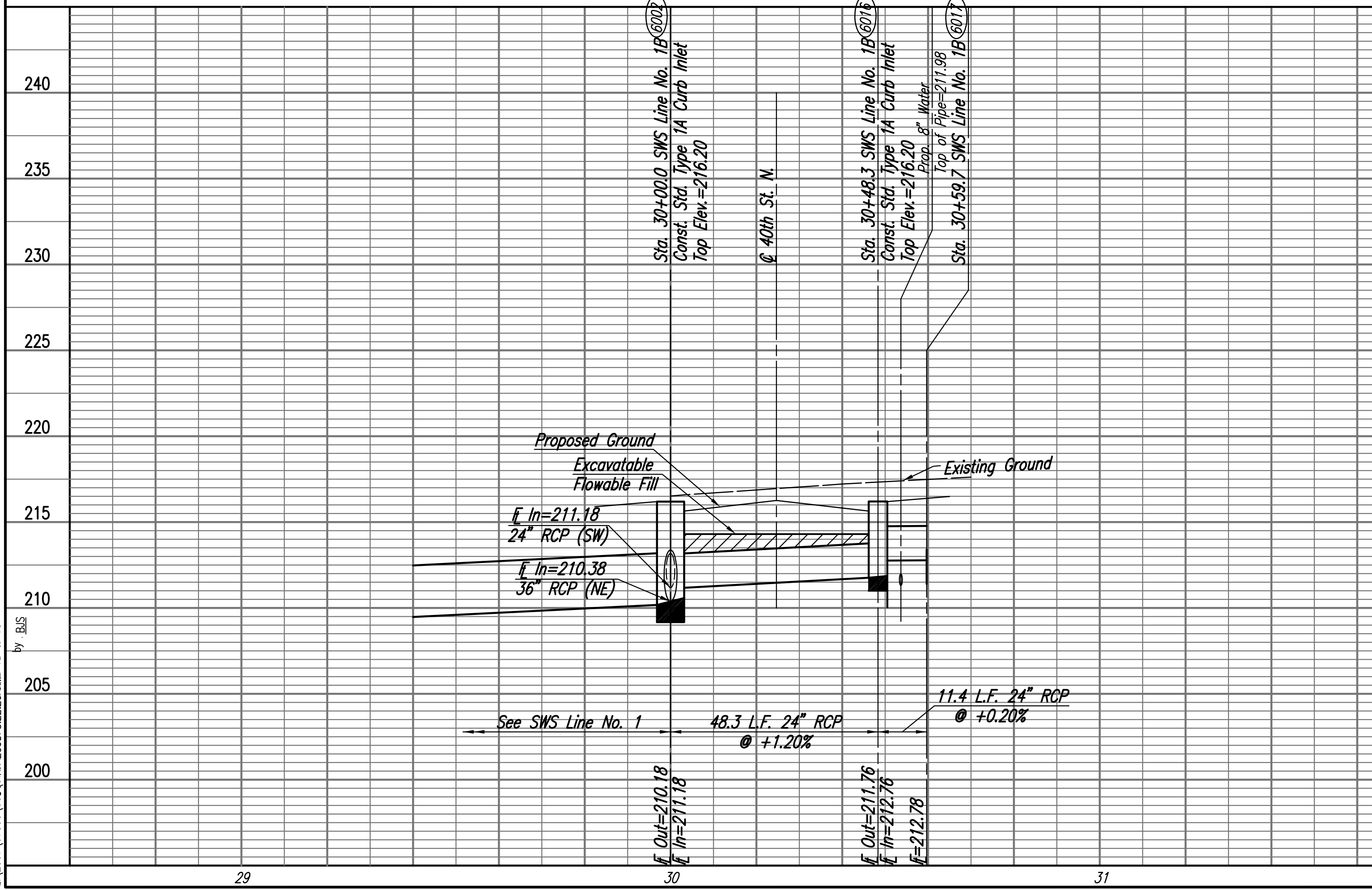


COORDINATE LIST		
POINT	NORTH	EAST
6002	9,548.7523	8,538.1832
6014	9,546.9163	8,539.8800
6015	9,514.3523	8,569.9760
6016	9,513.2519	8,570.9930
6017	9,503.2260	8,576.8549

6002 = COORDINATE POINT NO.
 SEE SHEET NO. _ FOR PLAT COORDINATES

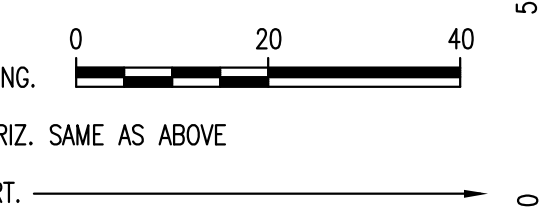


SWS LINE NO. 1B



PLAN: LAT. & LONG.
 PROFILE: HORIZ. SAME AS ABOVE
 VERT. _____

SCALE:



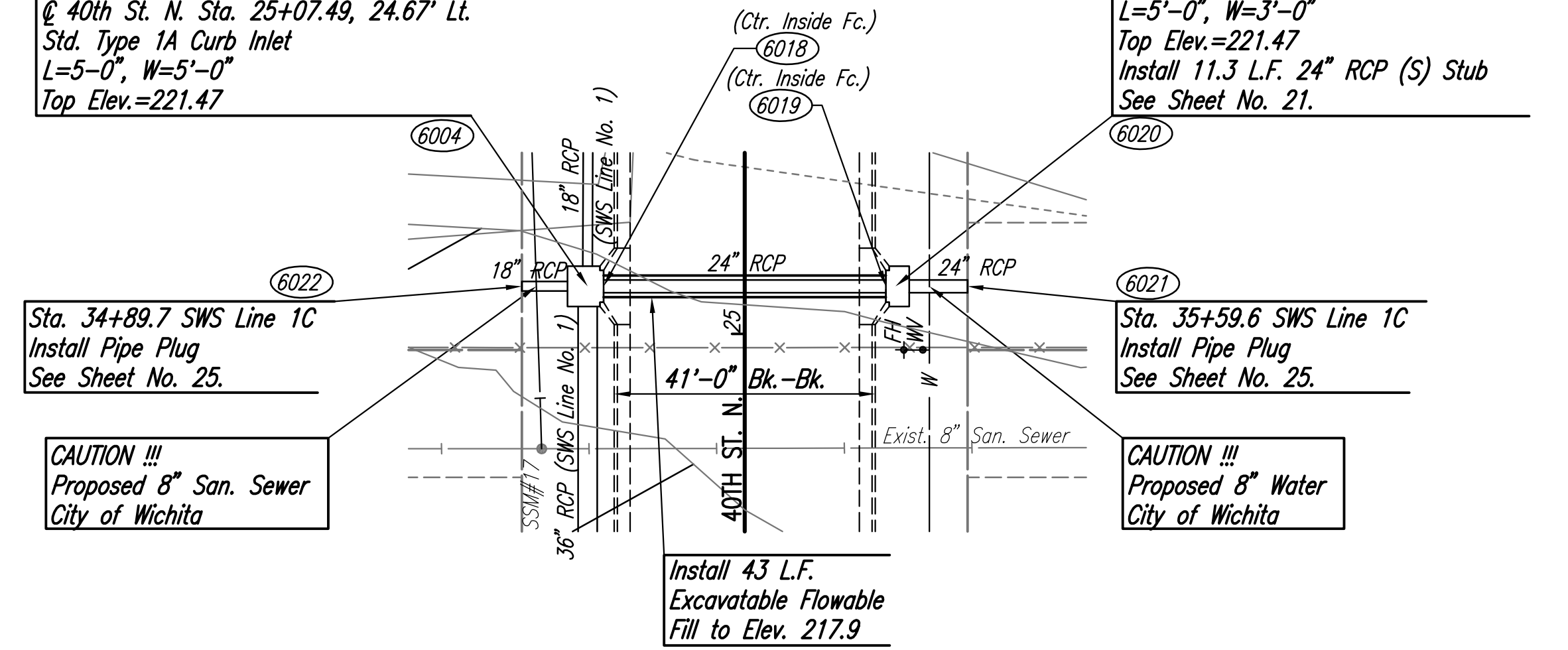
COORDINATE LIST		
POINT	NORTH	EAST
6022	9,650.1580	8,996.8864
6004	9,639.8292	8,997.0391
6018	9,637.3295	8,997.0761
6019	9,592.9942	8,997.7317
6020	9,591.4944	8,997.7539
6021	9,580.1657	8,997.9214

6022 = COORDINATE POINT NO.
 SEE SHEET NO. 3 FOR PLAT COORDINATES

Sta. 35+00 SWS Line No. 1C=
 Sta. 14+87.4 SWS Line No. 1=
 @ 40th St. N. Sta. 25+07.49, 24.67' Lt.
 Std. Type 1A Curb Inlet
 L=5'-0", W=5'-0"
 Top Elev.=221.47

Sta. 34+89.7 SWS Line 1C
 Install Pipe Plug
 See Sheet No. 25.

CAUTION !!!
 Proposed 8" San. Sewer
 City of Wichita



SWS LINE NO. 1C

