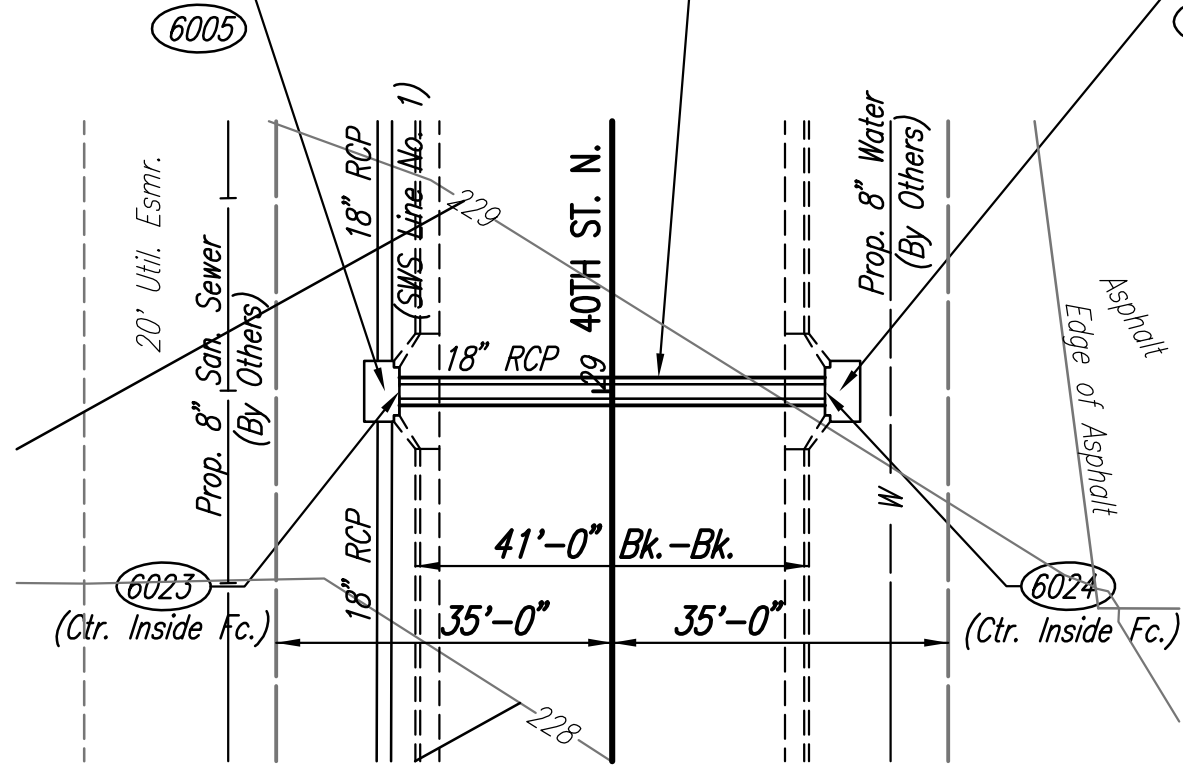


PLAN	CHECKED	BY	DATE
	CHECKED		

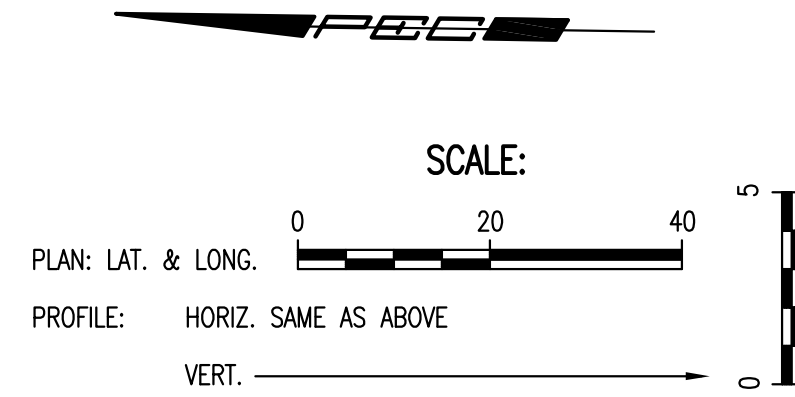
PROFILE	CHECKED	BY	DATE
	CHECKED		

Sta. 40+00 SWS Line No. 1D=  
@ 40th St. N. Sta. 29+00, 23.67' Lt.  
Std. Type 1A Curb Inlet  
L=5'-0", W=3'-0"  
Top Elev.=228.54



Install 43 L.F.  
Excavatatable Flowable  
Fill to Elev. 224.8

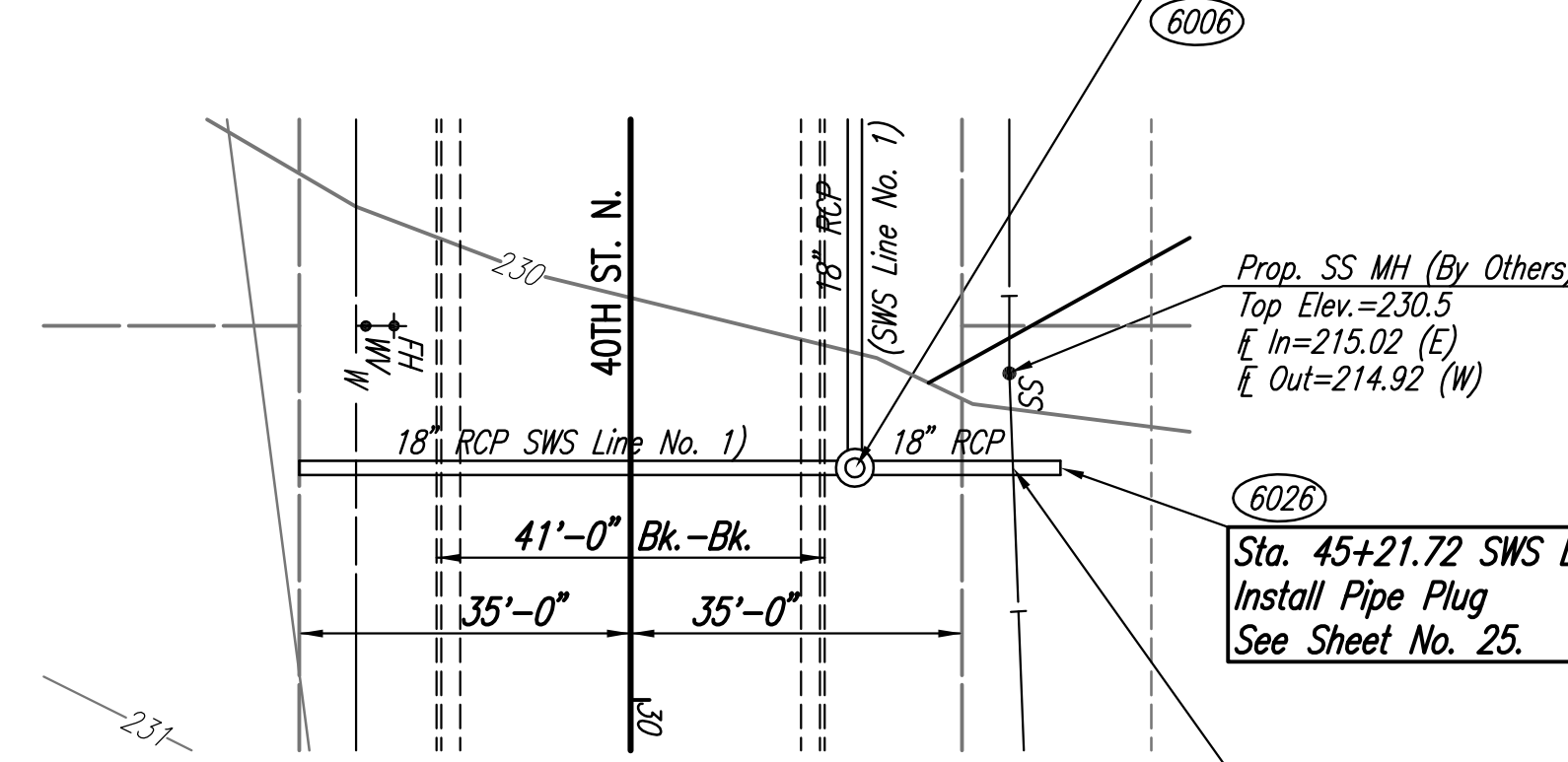
Sta. 40+47.3 SWS Line No. 1D=  
@ 40th St. N. Sta. 29+00, 23.67' Rt.  
Const. Std. Type 1A Curb Inlet  
L=5'-0", W=3'-0"  
Top Elev.=228.54  
See Sheet No. 21.



COORDINATE LIST		
POINT	NORTH	EAST
6005	9,644.6330	9,389.5198
6023	9,643.1332	9,389.5420
6024	9,598.7980	9,390.1976
6025	9,597.2982	9,390.2198

6005 = COORDINATE POINT NO.  
SEE SHEET NO. 3 FOR PLAT COORDINATES

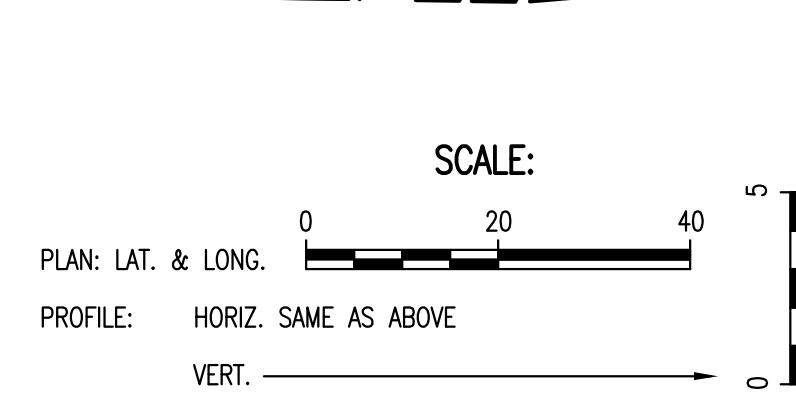
Sta. 45+00.0 SWS Line No. 1E=  
Sta. 19+55.4 SWS Line No. 1  
@ 40th St. N. Sta. 29+75.49, 23.67' Lt.  
Precast Manhole  
Dia.=4'-0"  
Top Elev.=229.97



Prop. SS MH (By Others)  
Top Elev.=230.5  
I In=215.02 (E)  
I Out=214.92 (W)

Sta. 45+21.72 SWS Line No. 1E  
Install Pipe Plug  
See Sheet No. 25.

**CAUTION !!!**  
Proposed 8" San. Sewer  
City of Wichita

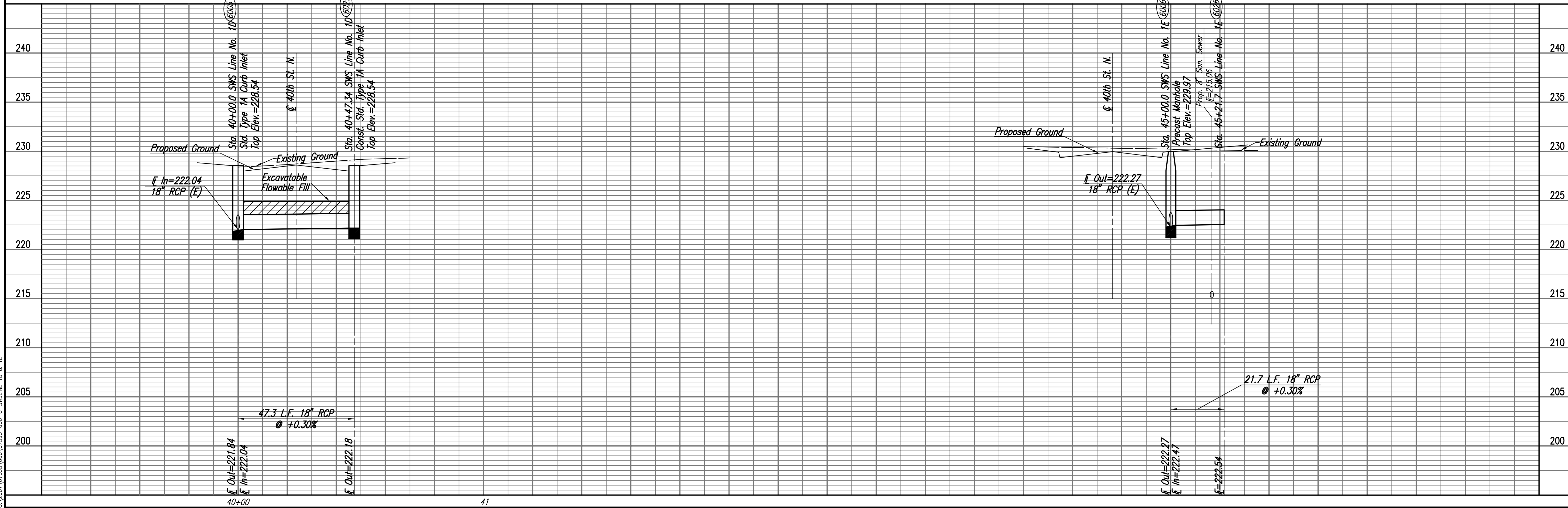


COORDINATE LIST		
POINT	NORTH	EAST
6006	9,645.7492	9,464.9989
6026	9,667.4651	9,464.6777

6006 = COORDINATE POINT NO.  
SEE SHEET NO. 3 FOR PLAT COORDINATES

SWS LINE NO. 1D

SWS LINE NO. 1E



Save: 04-12-2008 10:44:06 AM by BUS  
Plot Scale: 1/20 04-14-2008 8:23:42 AM by BUS  
0: 2007 07593 000 07593-000-C-SWSLINE 1D & 1E

WEBB BUSINESS PARK  
PAVING AND INCIDENTAL DRAINAGE IMPROVEMENTS  
**SWS LINE NO. 1D & 1E**  
JAMES L. ARMOUR, P.E.-CITY ENGINEER  
CITY OF WICHITA PROJECT NO. 472-84611

Professional Engineering Consultants, P.A.  
303 S. TOPEKA, WICHITA, KANSAS 67202  
316-262-2091 • FAX 316-262-3003  
Designed By: BMM  
Drawn By: BUS, FAT  
Job No.: 35-07593-000  
Date: JUNE 2007