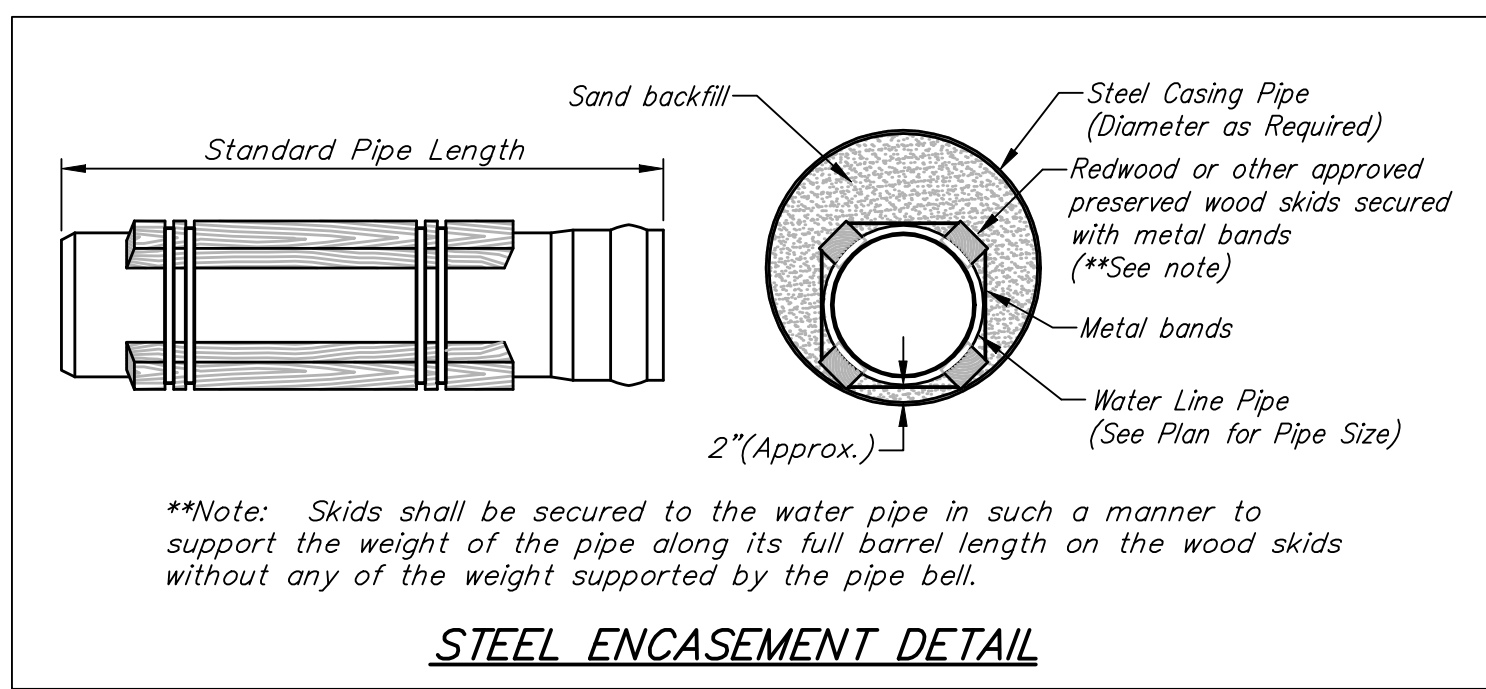


BENCHMARK:

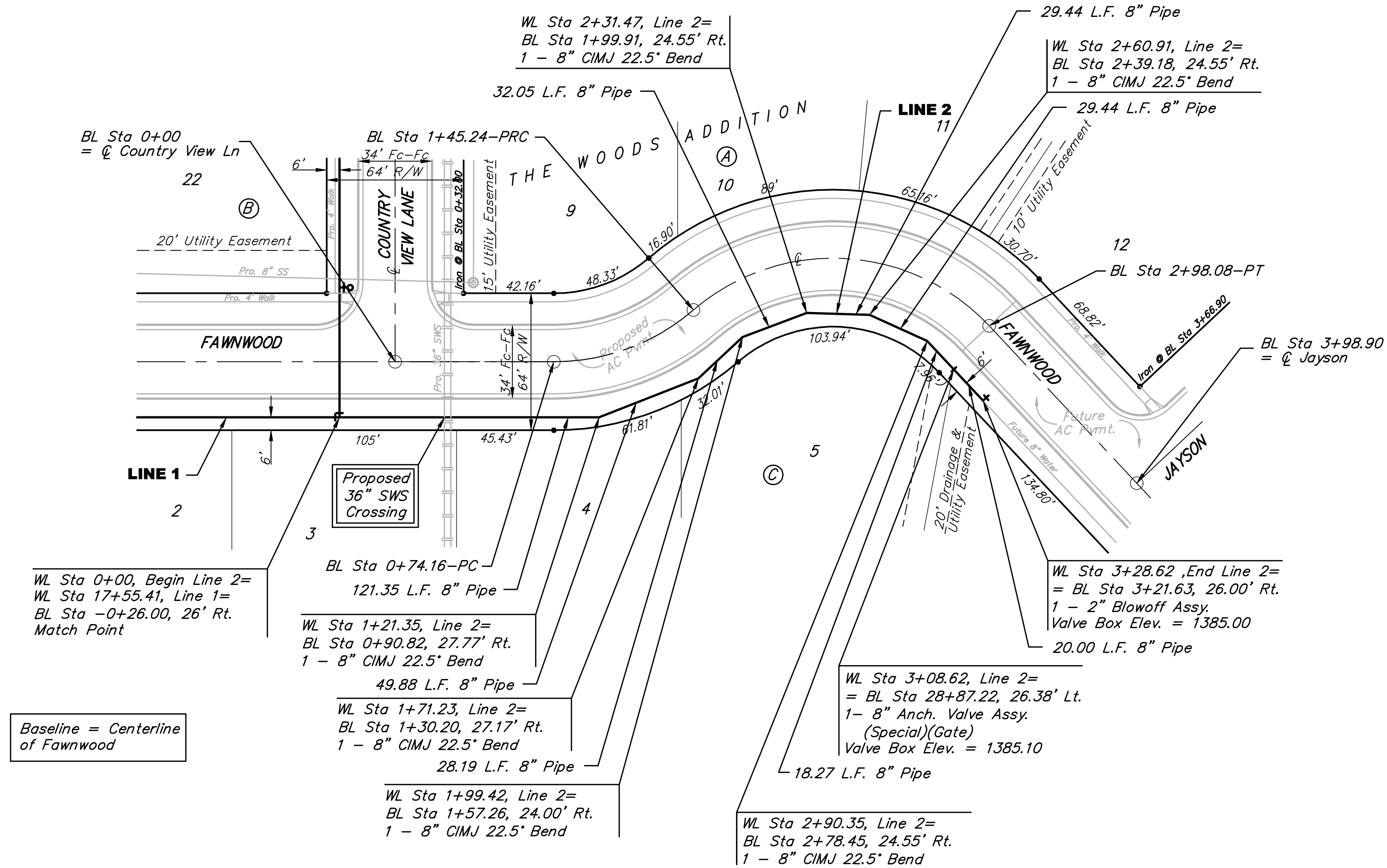
BM #1: CITY OF WICHITA BENCHMARK DISC, TOP OF CURB AT WEST END OF CURB RETURN, NORTHWEST CORNER OF INTERSECTION OF CITY VIEW AND SHERIAC CIR. IN SHADOW WOODS ADDITION.
ELEV. = 1386.66 NGVD29

BM #2: CITY OF WICHITA BENCHMARK DISC, TOP OF CURB BY FIRE HYDRANT AT WEST END OF CURB RETURN, NORTHWEST CORNER OF INTERSECTION OF SHERIAC CIR. AND SHERIAC CT., SOUTH OF SE CORNER OF LOT 13, BLOCK B, SHADOW WOODS ADDITION.
ELEV. = 1392.11 NGVD29



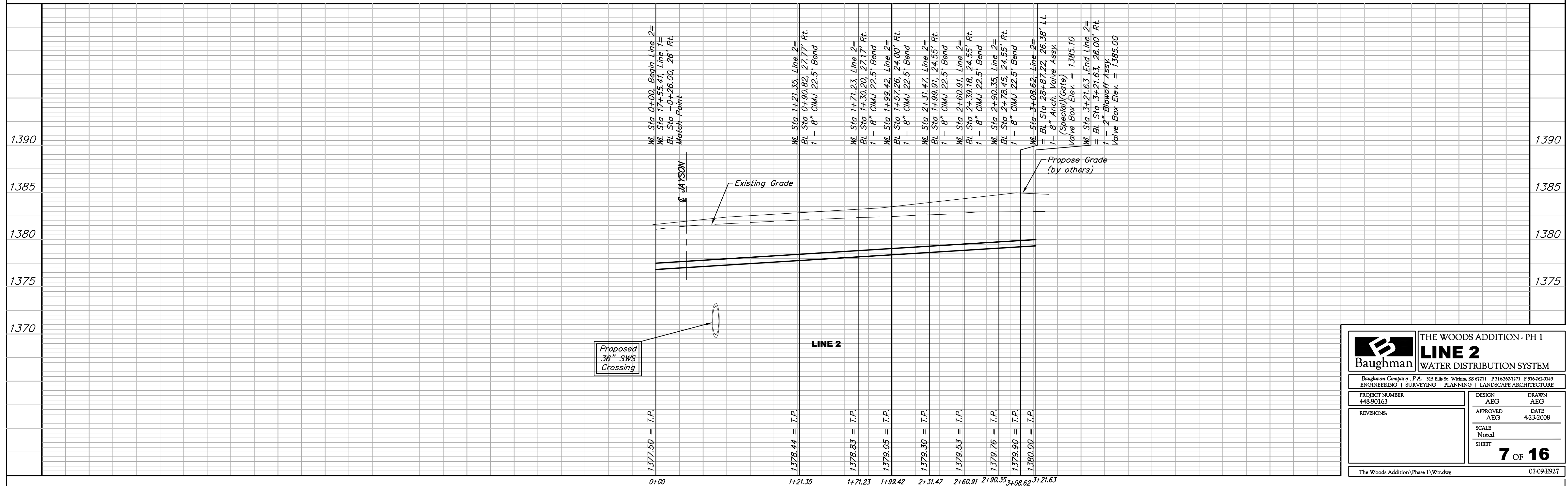
**Note: Skids shall be secured to the water pipe in such a manner to support the weight of the pipe along its full barrel length on the wood skids without any of the weight supported by the pipe bell.

STEEL ENCASEMENT DETAIL



Scale: 1" = 40' Horizontal
1" = 5' Vertical
• = Iron

Remove trees only as necessary for storm sewer construction and only with permission of Developer or Baughman Co. Cost of removal to be incidental to lump sum bid item "Site Clearing & Restoration".



		THE WOODS ADDITION - PH 1	
		LINE 2	
PROJECT NUMBER 448-90163		DESIGN AEG	
APPROVED AEG		DRAWN AEG	
REVISIONS:		DATE 4-23-2008	
		SCALE Noted	
		SHEET 7 OF 16	
The Woods Addition/Phase 1/Wtr.dwg			07-09-E927