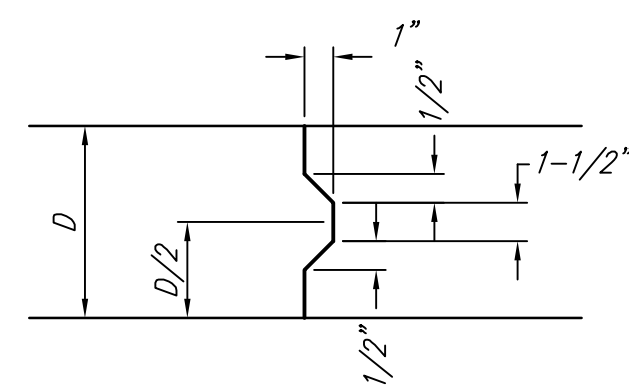
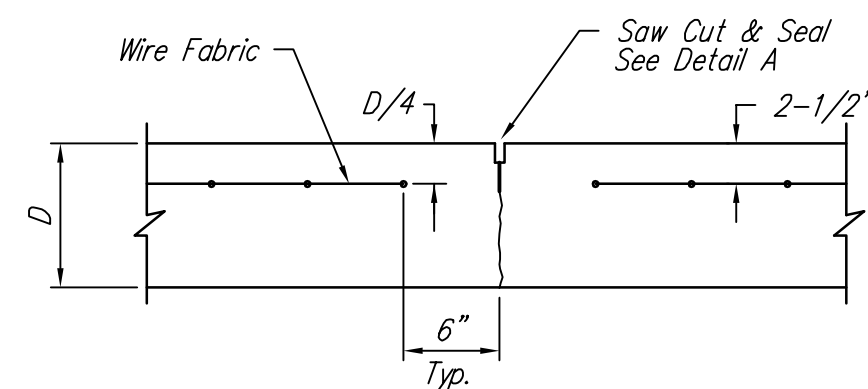


EXPANSION JOINT

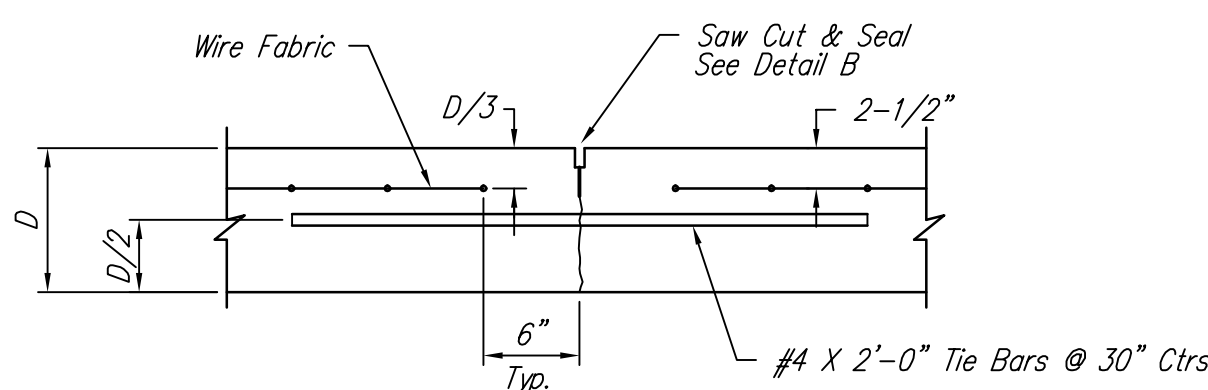
NOTE: Extra Thickness to be Subsidiary to Price of Square Yards Pavement



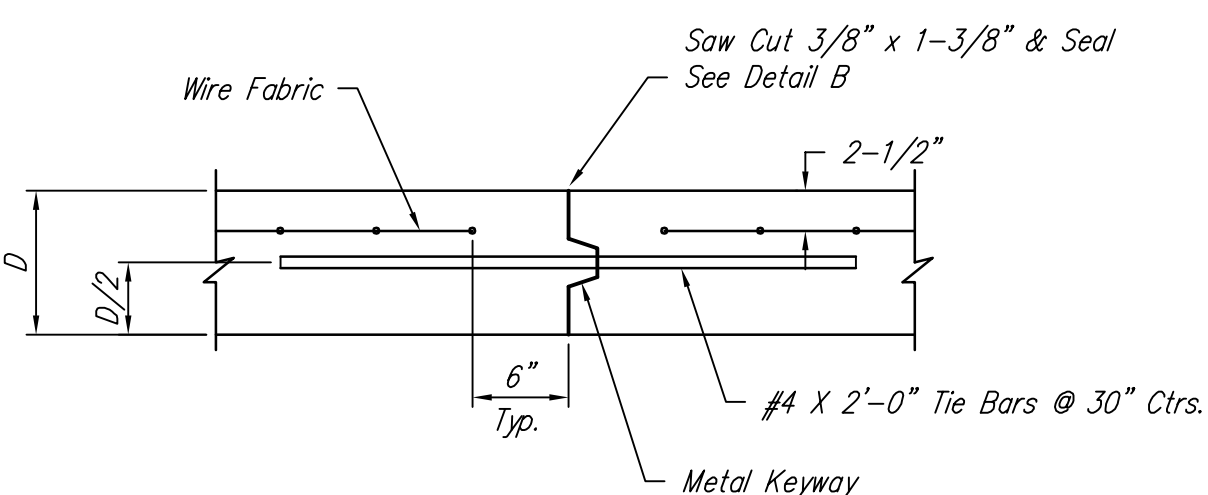
KEYWAY DETAIL



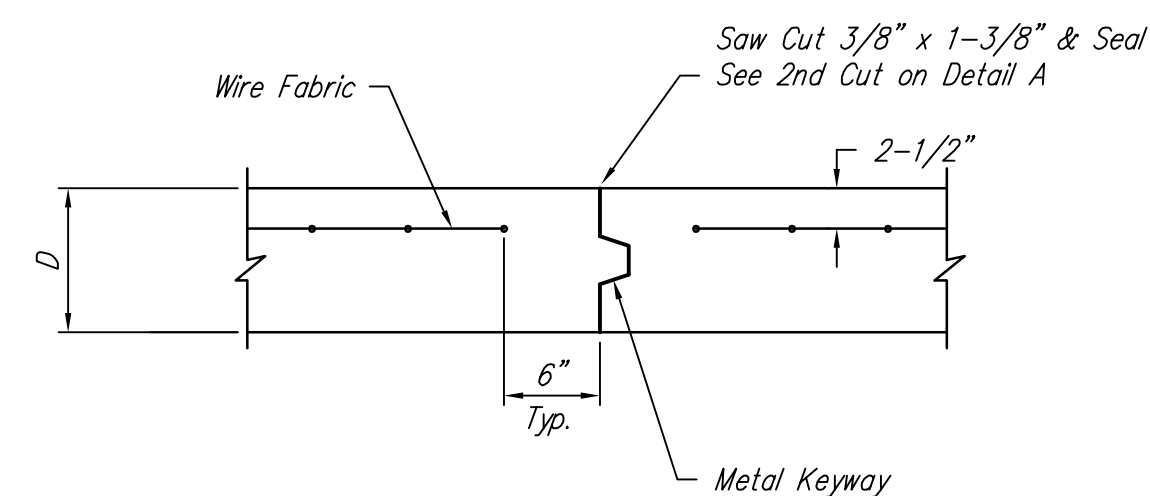
CONTRACTION JOINT DETAIL (C.J.)



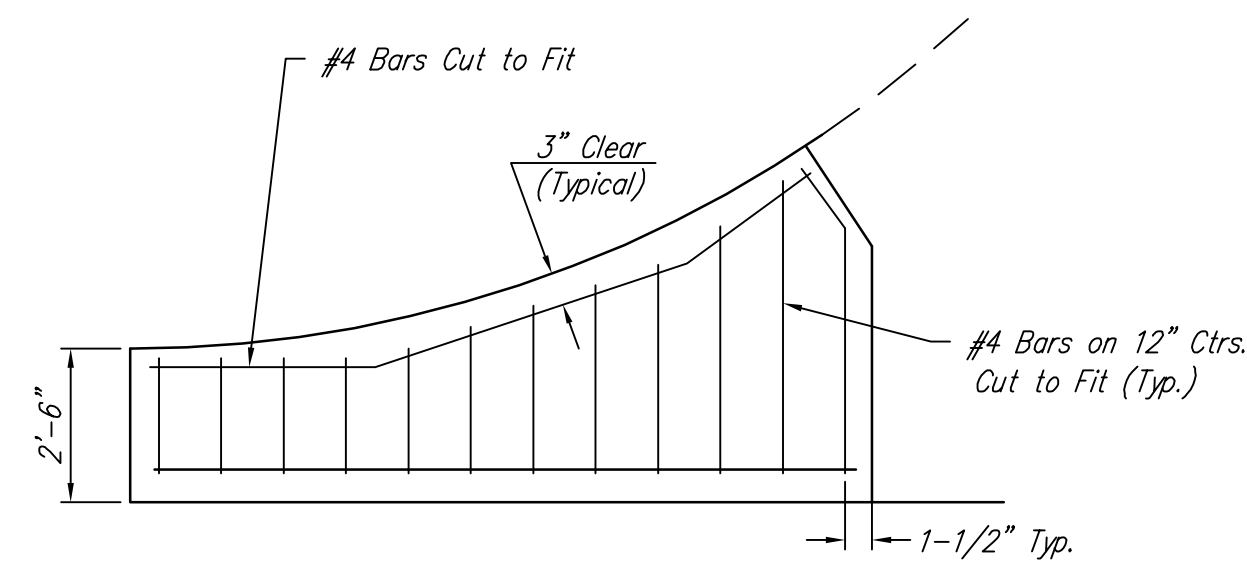
LONGITUDINAL JOINT DETAIL (L.J.)



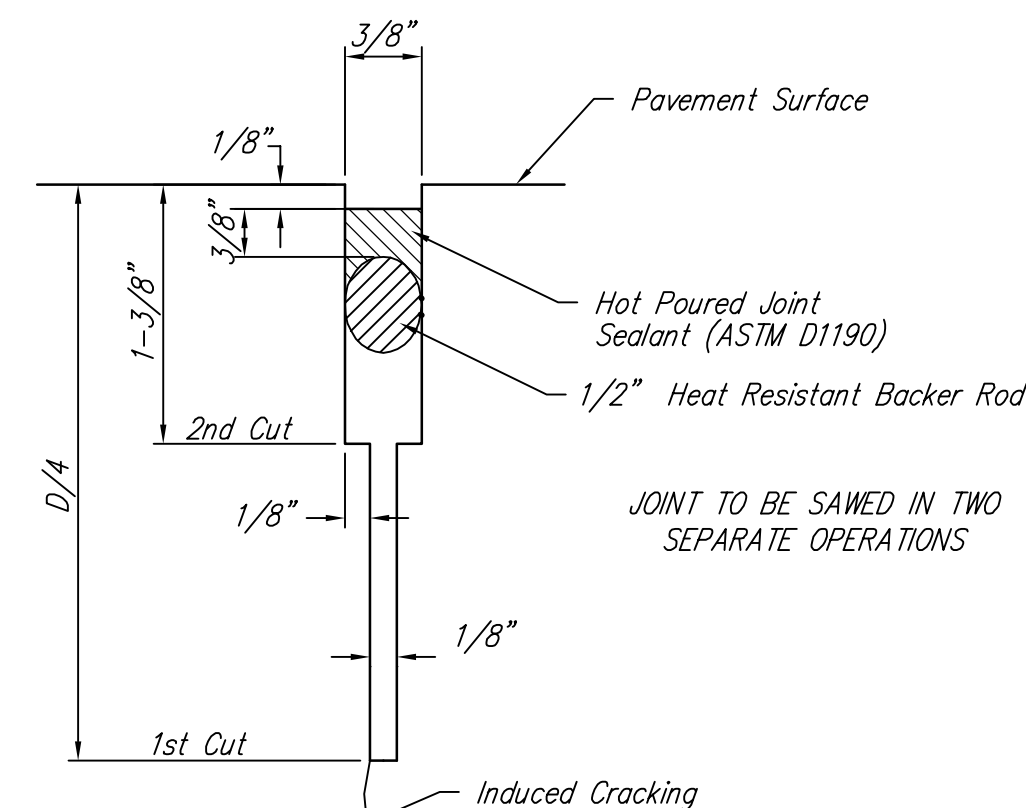
OPTIONAL LONGITUDINAL JOINT DETAIL (L.J.) (CONSTRUCTION JOINT)



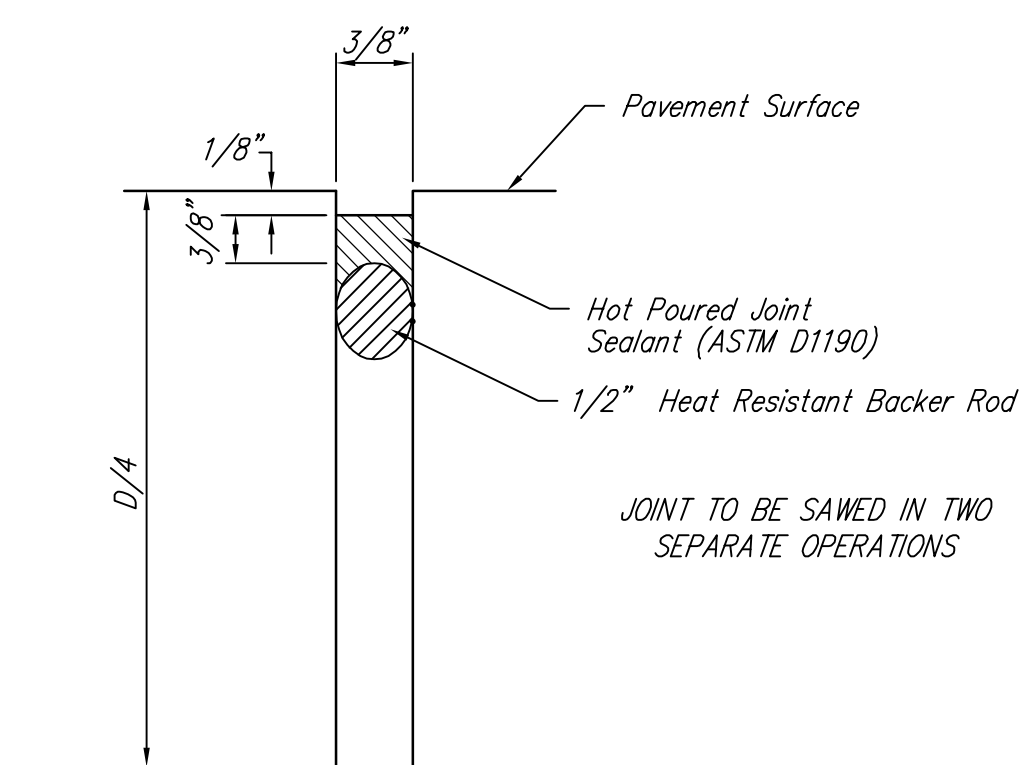
OPTIONAL CONTRACTION JOINT (CONSTRUCTION JOINT)



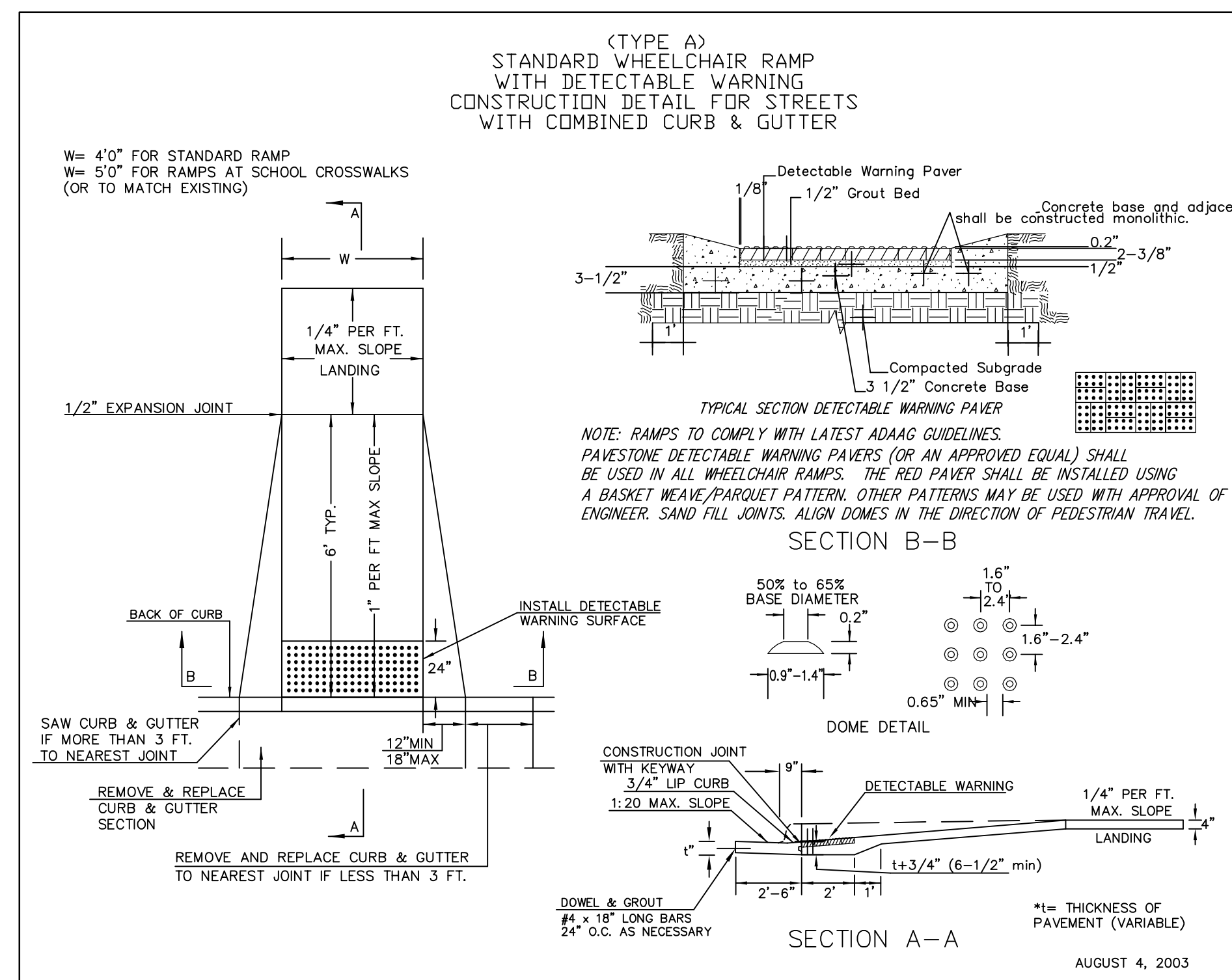
WING REINFORCING DETAIL



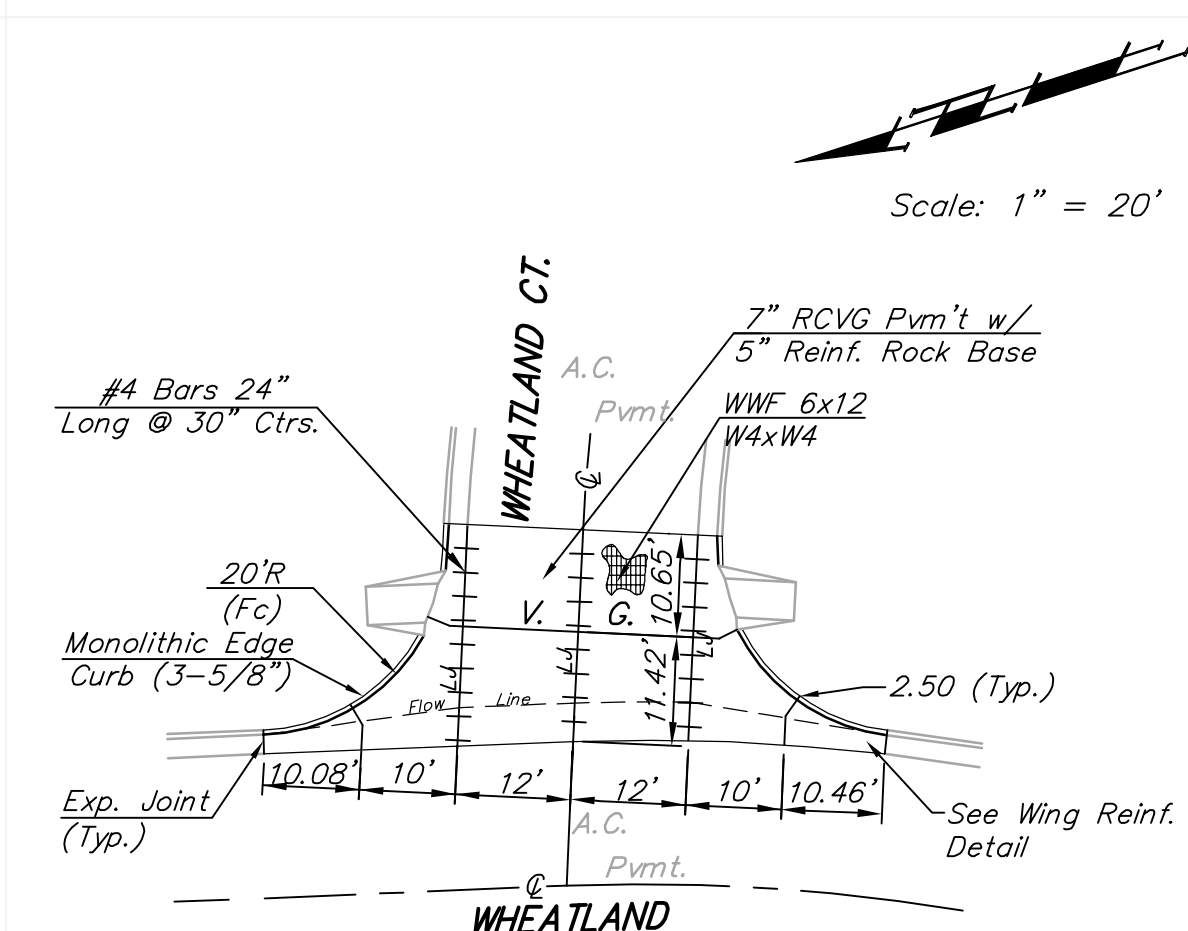
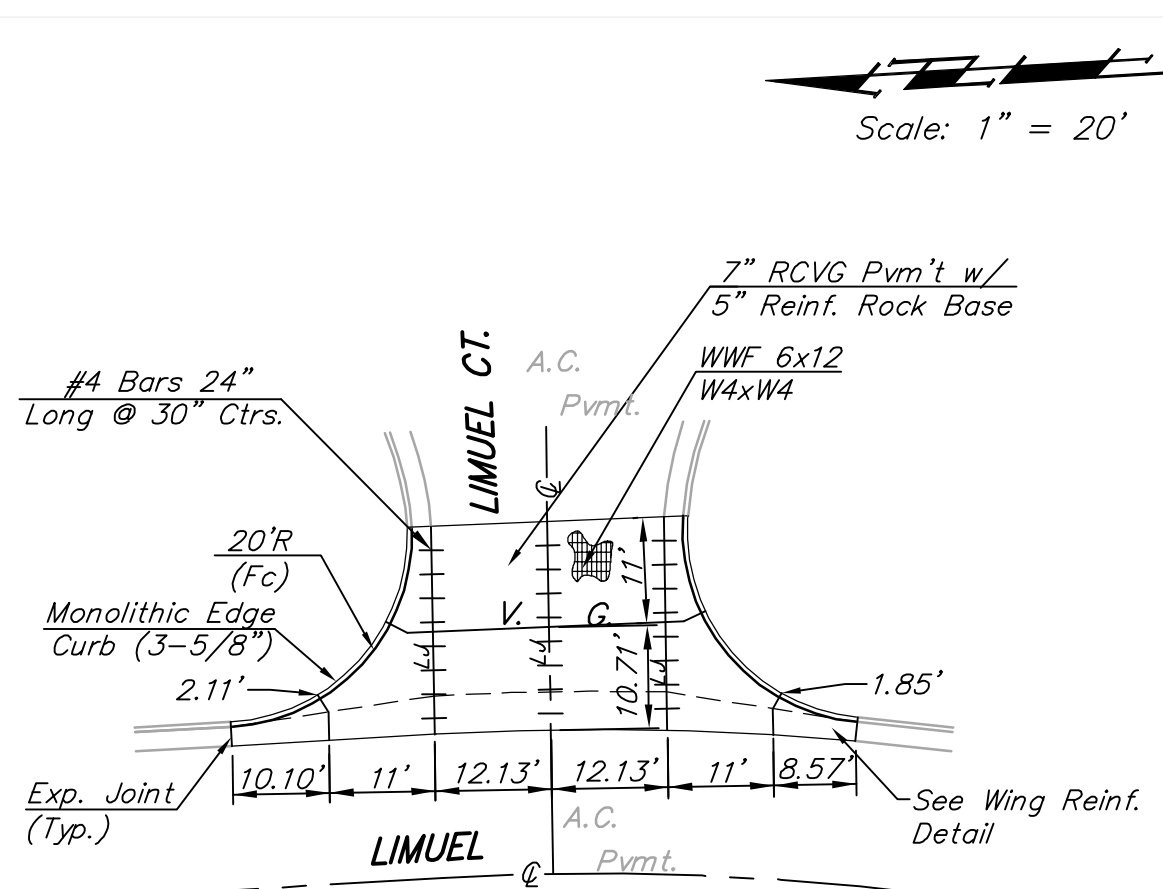
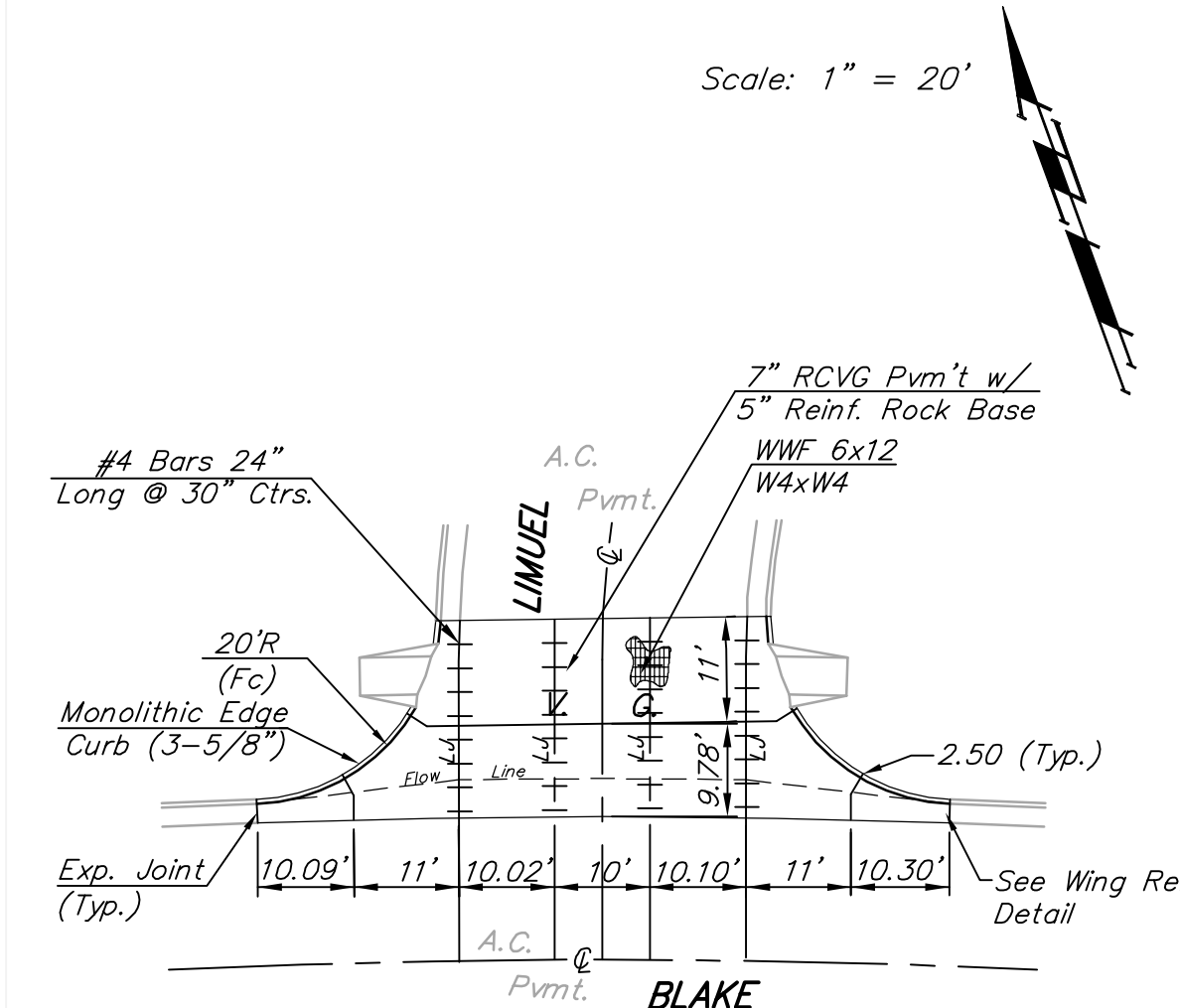
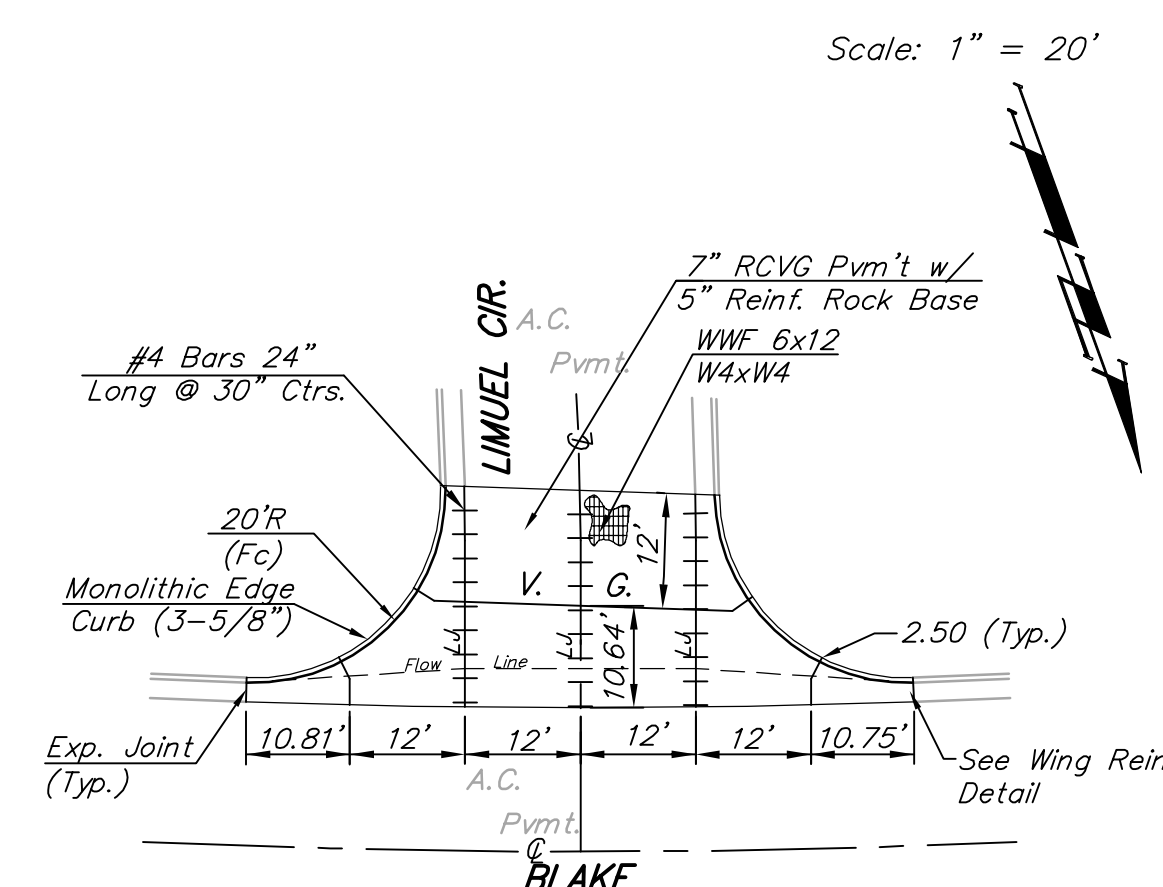
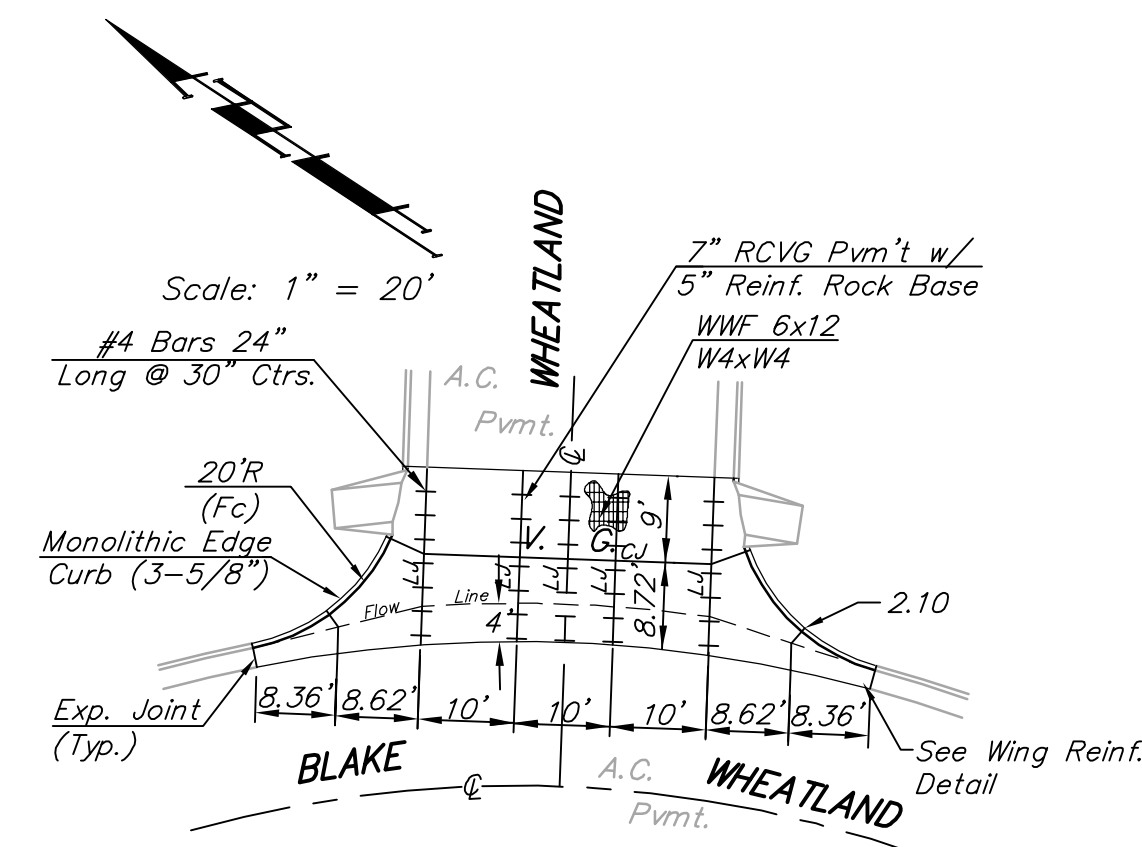
SAW JOINT DETAIL "A"



SAW JOINT DETAIL "B"



WHEELCHAIR RAMP DETAIL



NOTE: 6" X 12" W4XW4 Wire Fabric Reinforcing Shall Be Placed So That The Wires With The 6" Spacing Will Run Parallel With The Longitudinal Joints.

Baughman		Turkey Creek 3rd Addition - Phase I	
ENGINEERING SURVEYING PLANNING LANDSCAPE ARCHITECTURE		Miscellaneous Details	
PROJECT NUMBER 472-84486	DESIGN MWS	DRAWN JRJV	DATE 08/07
REVISIONS:	APPROVED MWS	SCALE NONE	SHEET 5 OF 54
E:\Turkey Creek 3rd\Phase 1\05-STR-MIS.dwg		07-07-E92	