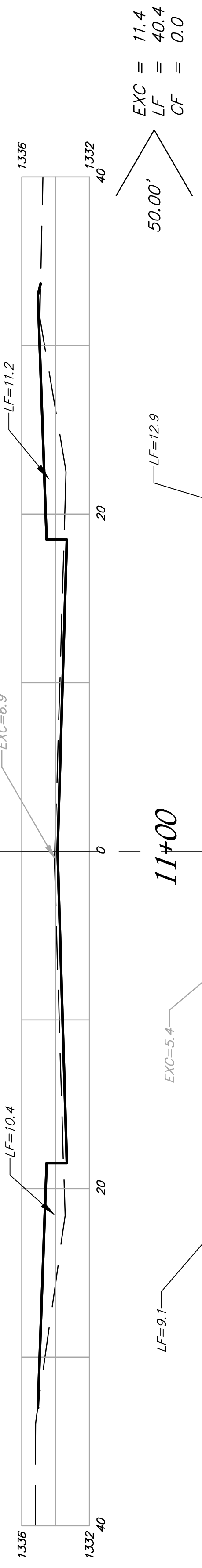
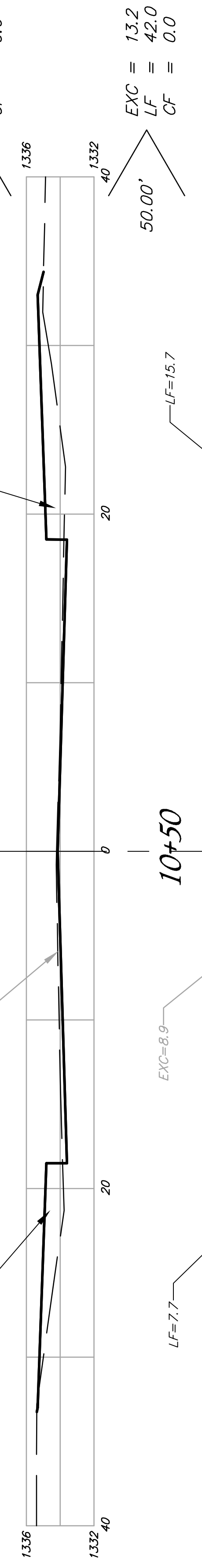


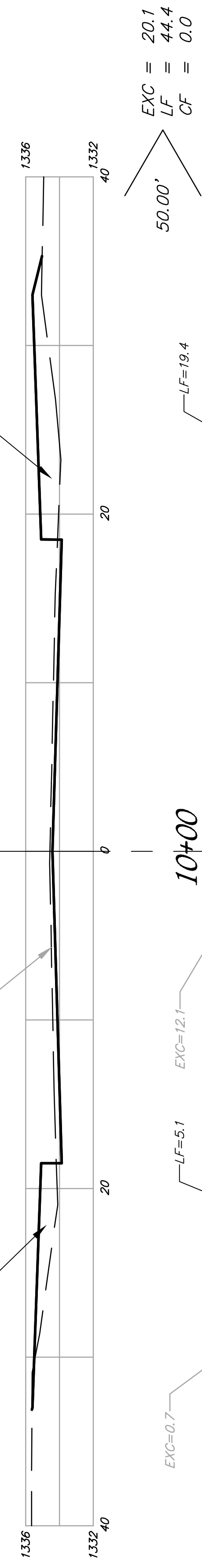
11+50



11+00



10+50



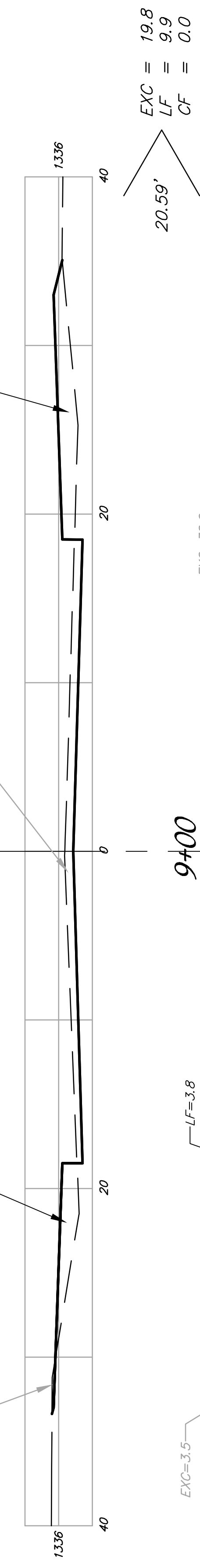
10+00



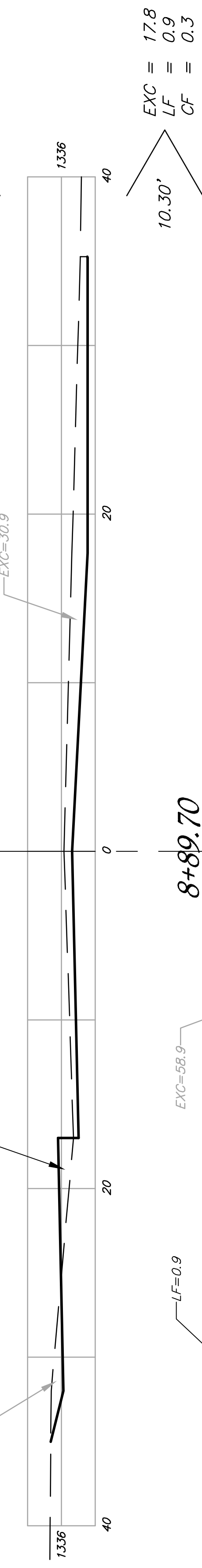
9+50



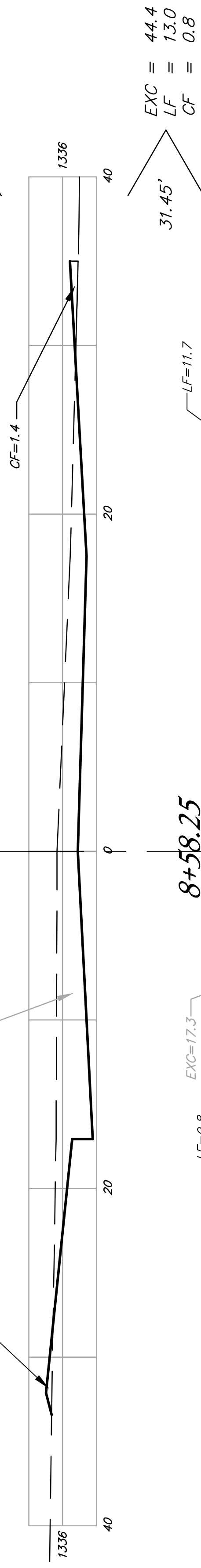
9+20.59



9+00



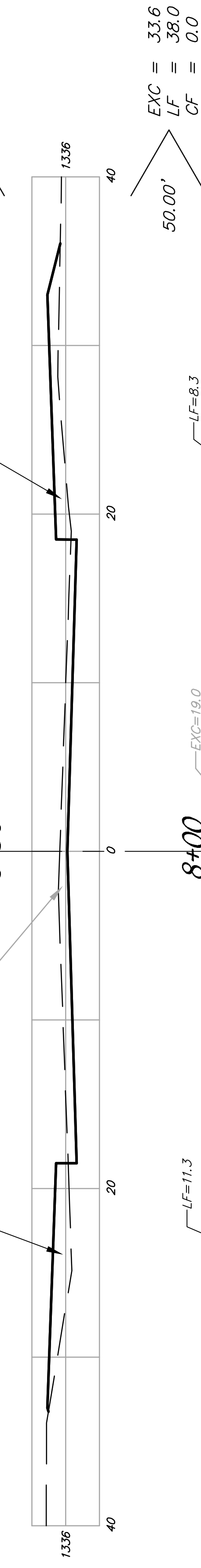
8+89.70



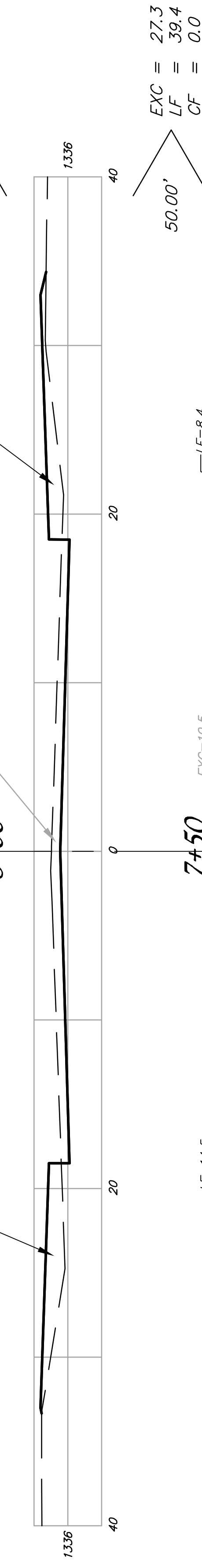
8+58.25



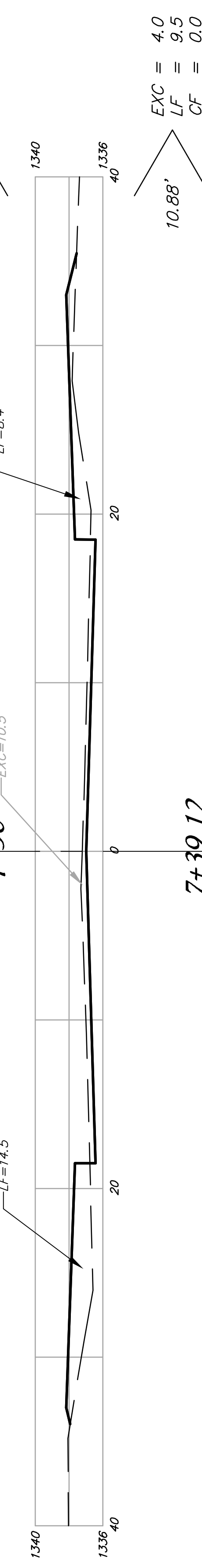
8+50



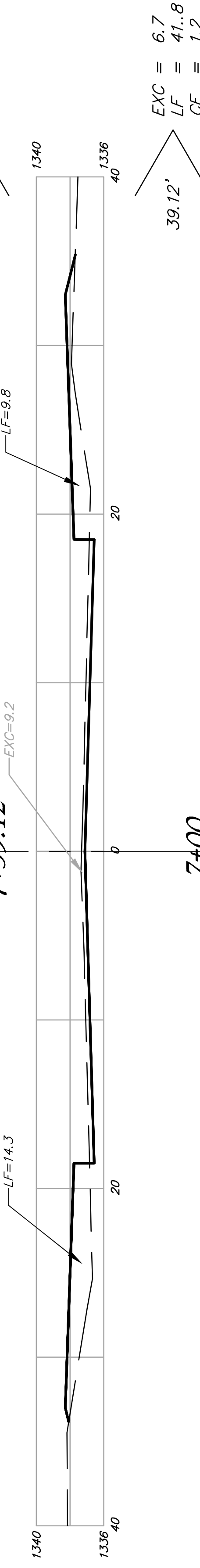
8+00



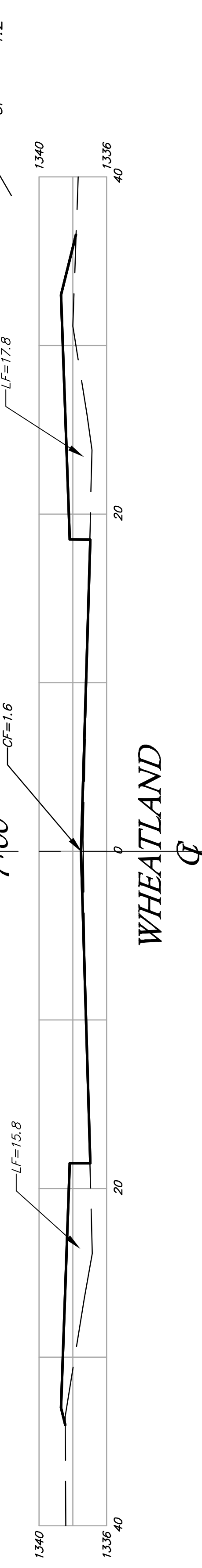
7+50



7+39.12



7+00



WHEATLAND Q

SHEET TOTAL:
 EXCAVATION = 247.5 C.Y.
 LOOSE FILL = 354.1 C.Y.
 COMPACTED FILL = 2.2 C.Y.

Baughman
 Baughman Company, P.A. 315 Ellis St. Wichita, KS 67211 P 316-262-7271 F 316-262-0149
 ENGINEERING | SURVEYING | PLANNING | LANDSCAPE ARCHITECTURE
 PROJECT NUMBER 472-84486 SHEET 42 OF 54
 Auburn Hills 16th Phase 3\XS.dwg 07-09-E928