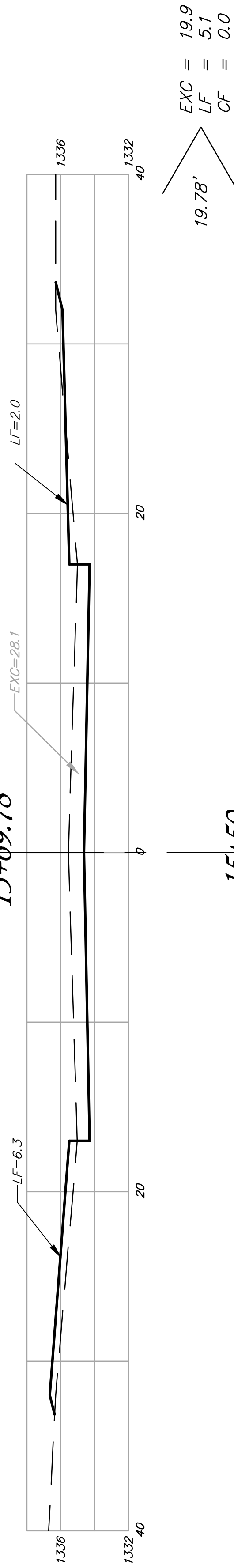
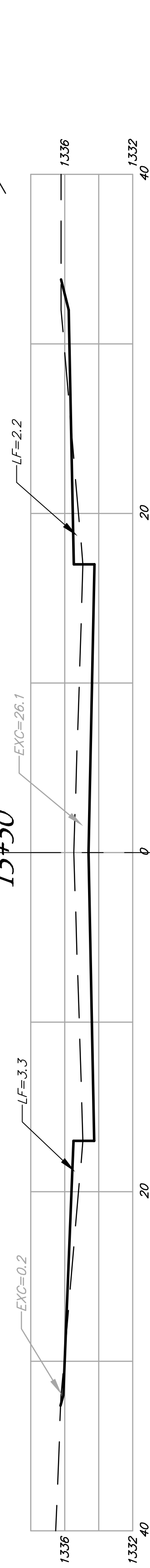


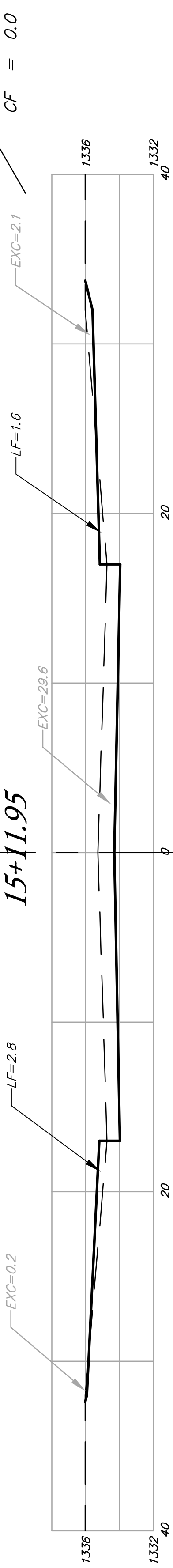
15+69.78



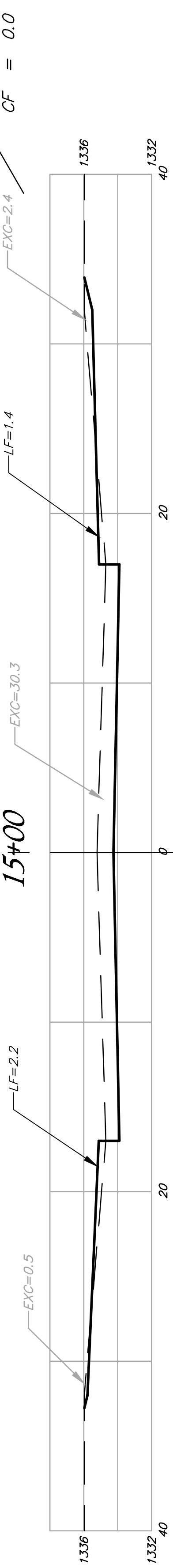
15+50



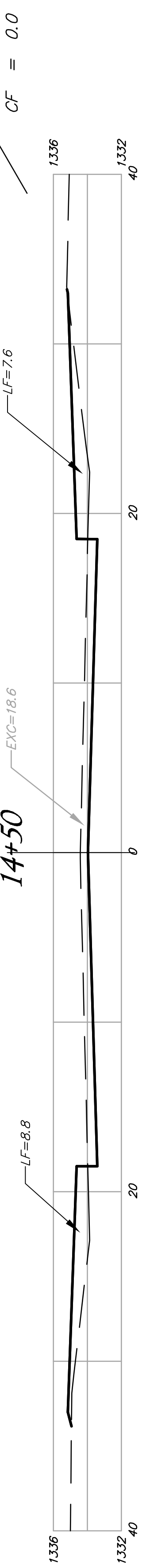
15+11.95



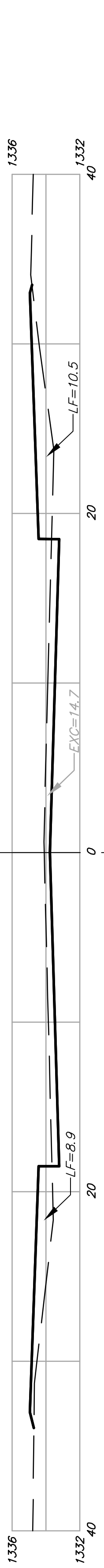
15+00



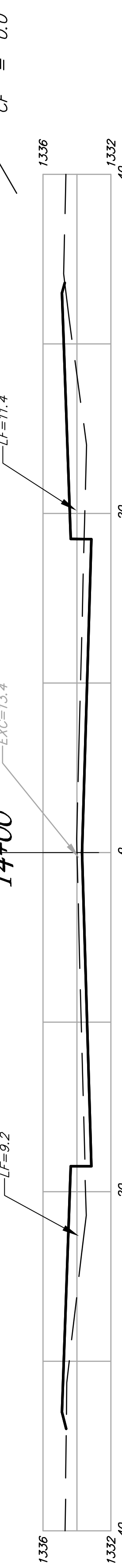
14+50



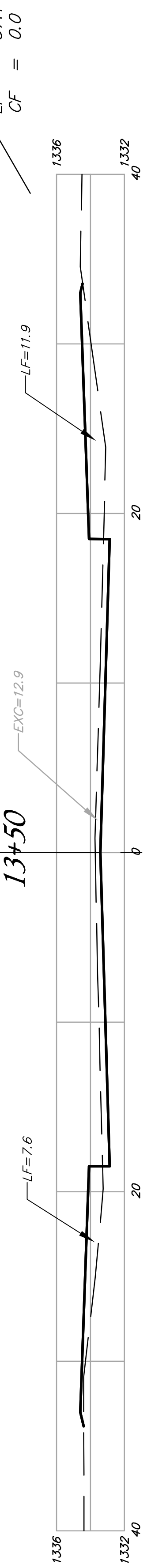
14+12.75



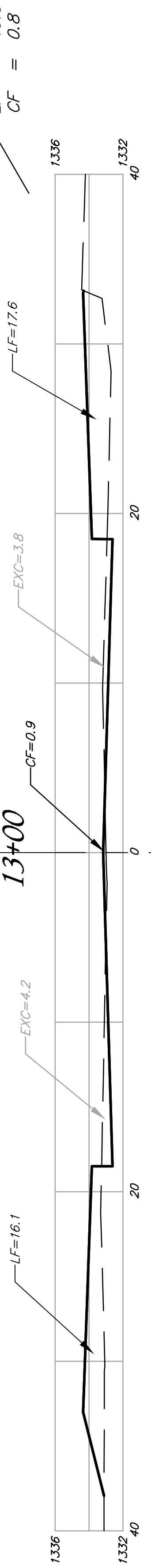
14+00



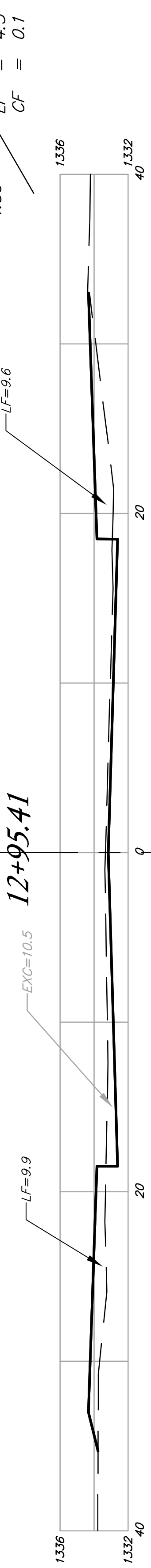
13+50



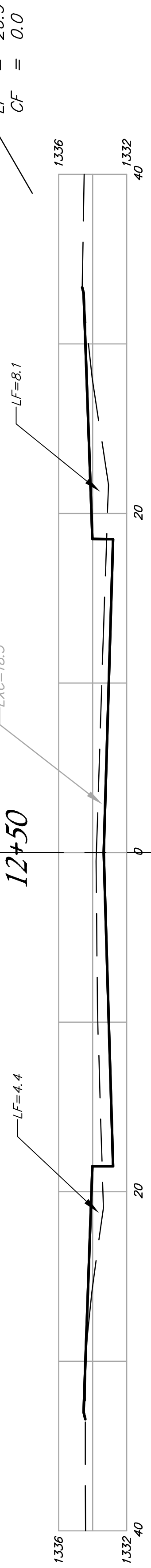
13+00



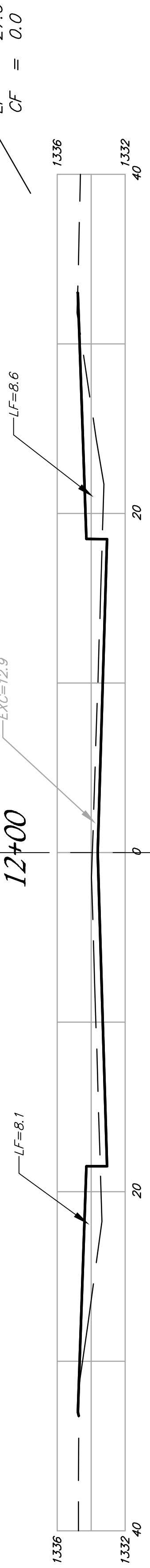
12+95.41



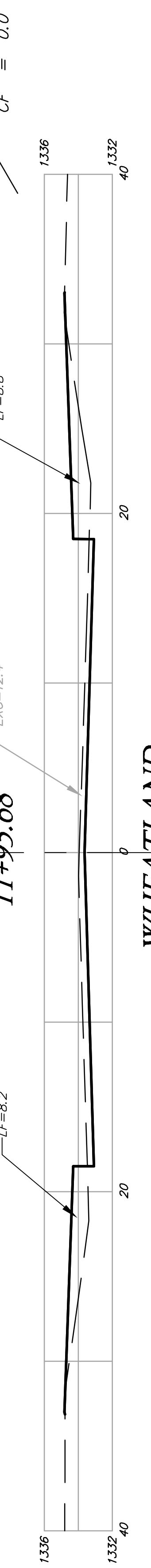
12+50



12+00



11+95.68



WHEATLAND  
Q

SHEET TOTAL:  
EXCAVATION = 253.3 C.Y.  
LOOSE FILL = 214.0 C.Y.  
COMPACTED FILL = 0.9 C.Y.

