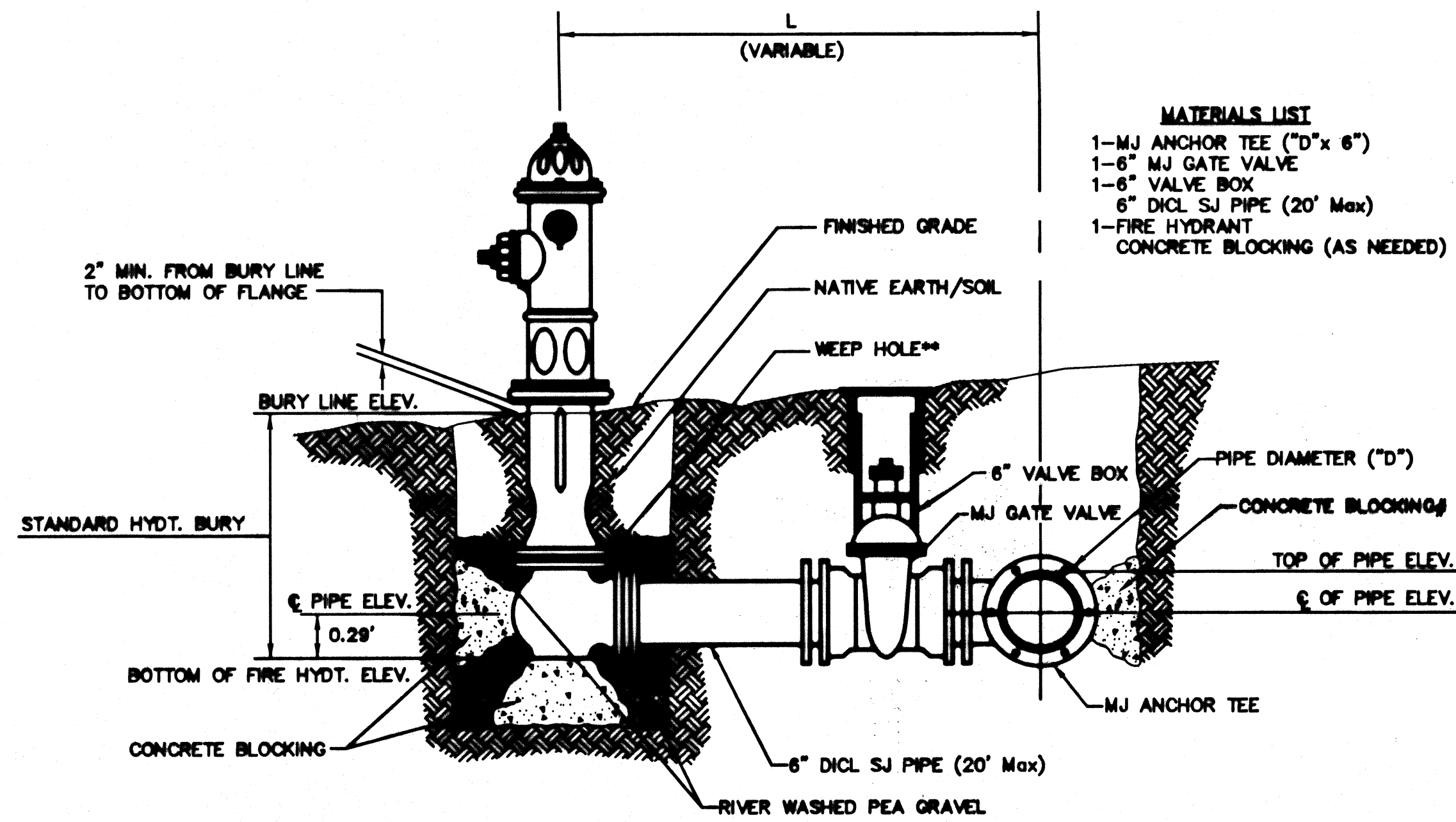


MATERIALS LIST
 1-MJ GATE OR BUTTERFLY VALVE (AS PER PLAN)
 1-MJ ANCHOR COUPLING (12" OR SMALLER)
 1-6" VALVE BOX
 CONCRETE SUPPORT BLOCK SHALL BE FULL WIDTH OF THE TRENCH

ANCHORED VALVE ASSEMBLY

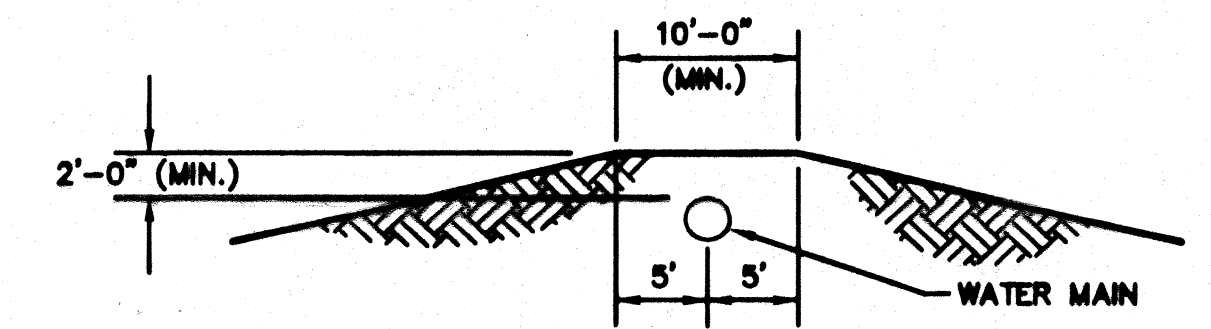


MATERIALS LIST
 1-MJ ANCHOR TEE ("D"x 6")
 1-6" MJ GATE VALVE
 1-6" VALVE BOX
 6" DCL SJ PIPE (20' Max)
 1-FIRE HYDRANT
 CONCRETE BLOCKING (AS NEEDED)

** CAUTION! WEEP HOLES TO BE KEPT CLEAR DURING CONSTRUCTION AND BACKFILL. CONCRETE FOR THRUST BLOCKING SHALL NOT OBSTRUCT WEEP HOLES.
 # CONCRETE THRUST BLOCKING SHALL BE KEPT CLEAR OF BOLTS, NUTS, AND MJ ACCESSORIES.
 * IF HYDRANT BURY IS IN EXCESS OF 5', CONTRACTOR SHALL USE STANDARD 5' HYDRANT BURY AND HYDRANT BARREL EXTENSIONS AS NECESSARY.

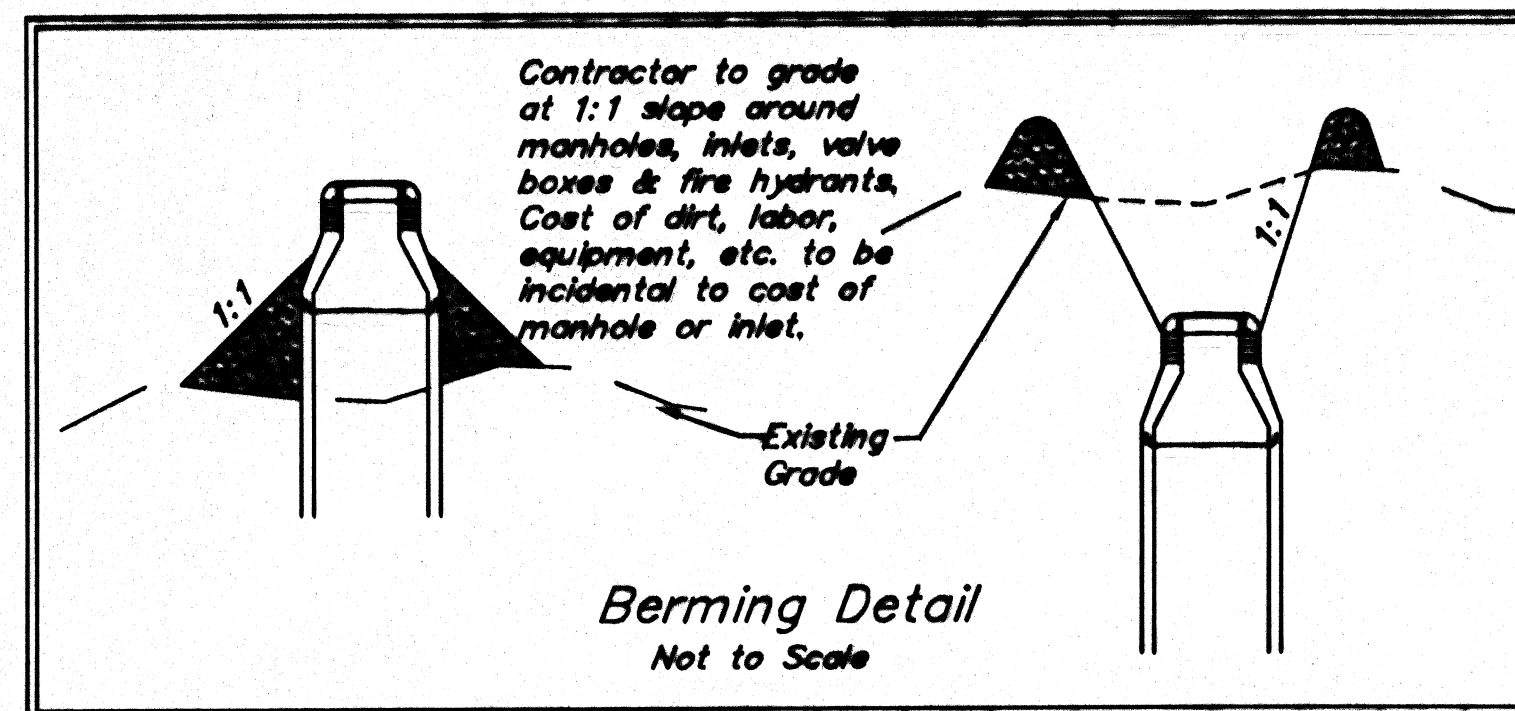
FIRE HYDRANTS REQUIRED				
LINE	STATION	BURY LINE ELEVATION	TOP OF PIPE ELEVATION	FIRE HYDRANT BURY REQUIRED*
1	1+15.17	1364.00	1358.25	6.5'

FIRE HYDRANT ASSEMBLY
 PER CITY OF WICHITA SPECIFICATIONS

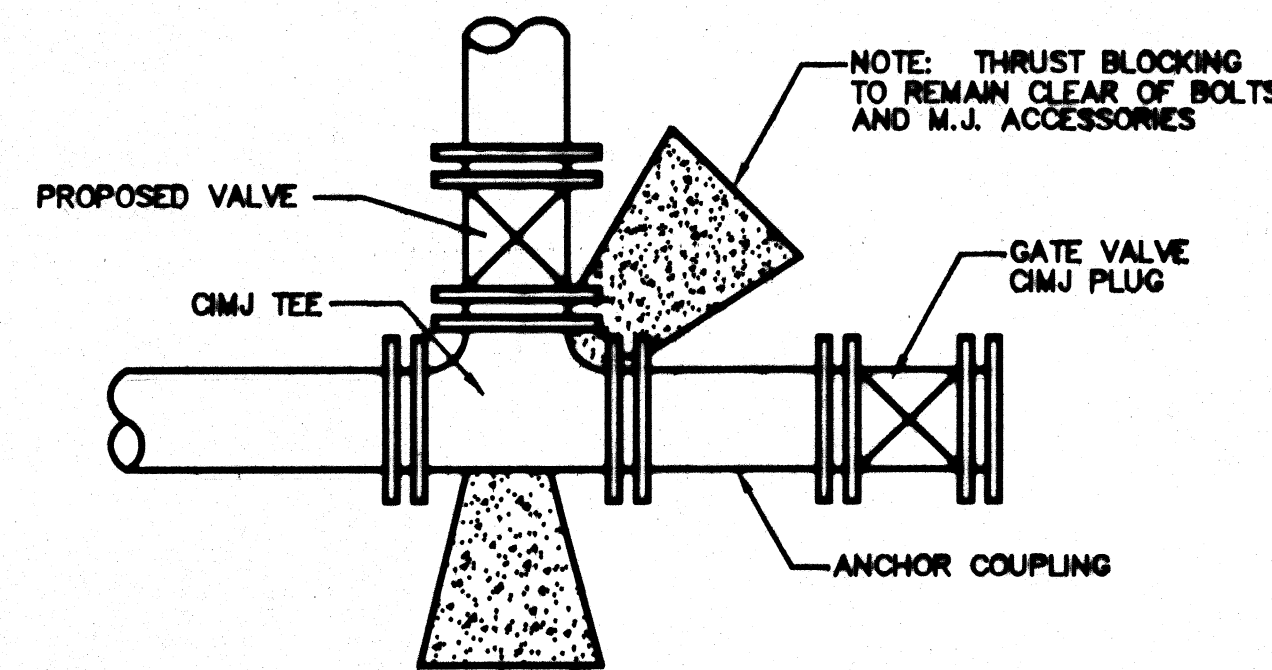


PROTECTIVE FILL DETAIL

MINIMUM PROTECTIVE FILL SHALL BE PROVIDED IN ALL INSTANCES WHERE COVER OVER THE PROP. WATER LINE IS LESS THAN (2) FEET. (COST SUBSIDIARY TO PIPE INSTALLATION)



Berming Detail
 Not to Scale



KEY BLOCK DETAIL

<p>THE CITY OF WICHITA CITY ENGINEER'S OFFICE 1356 PPW (607853) DATE 10/07</p>	STANDARD WATER ASSEMBLY DETAILS	
	JAMES L. ARMOUR, P.E. - CITY ENGINEER	
	PROJECT NUMBER 1356 PPW (607853)	SHEET CODE NA
	SHEET 2 OF 3	