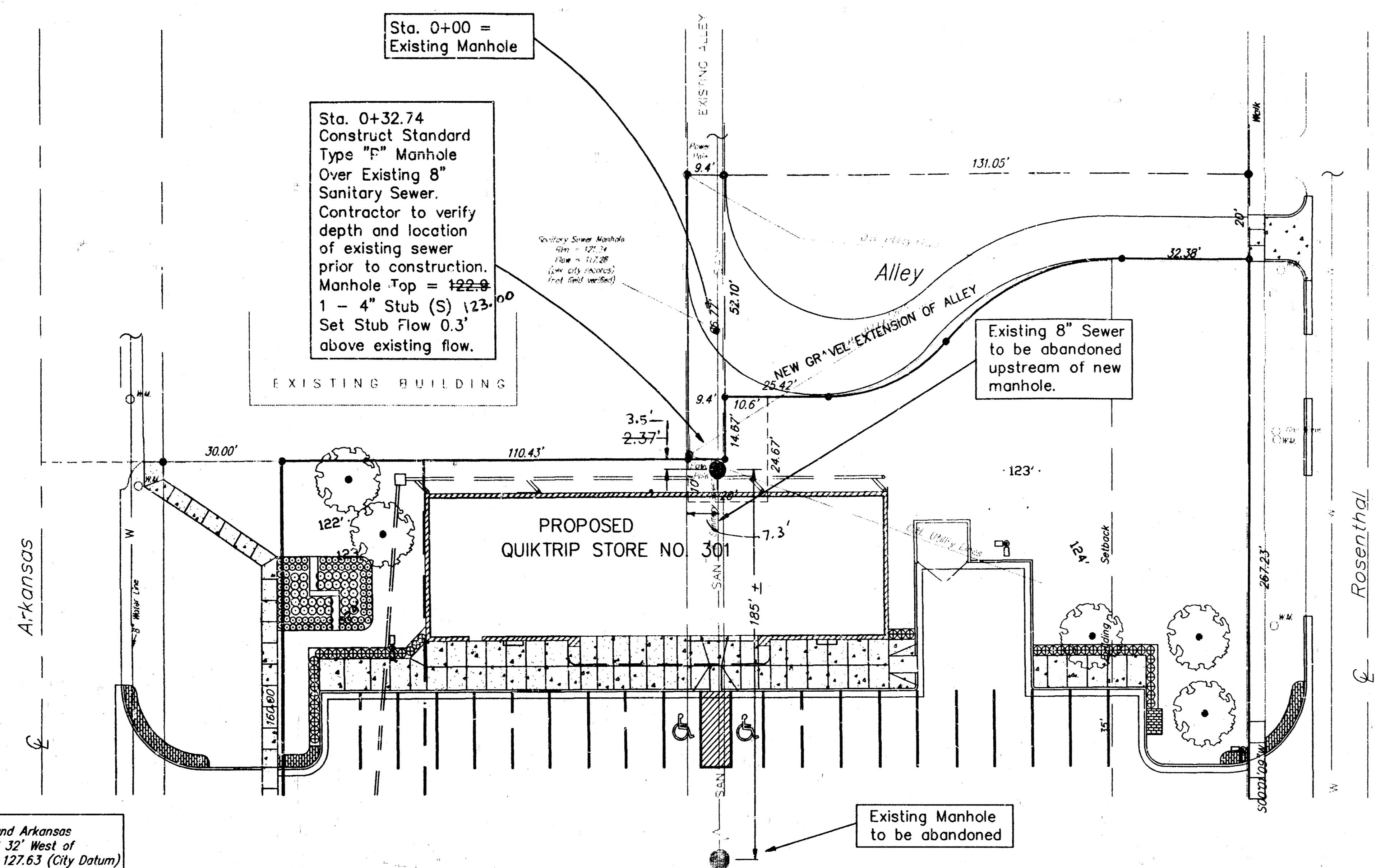
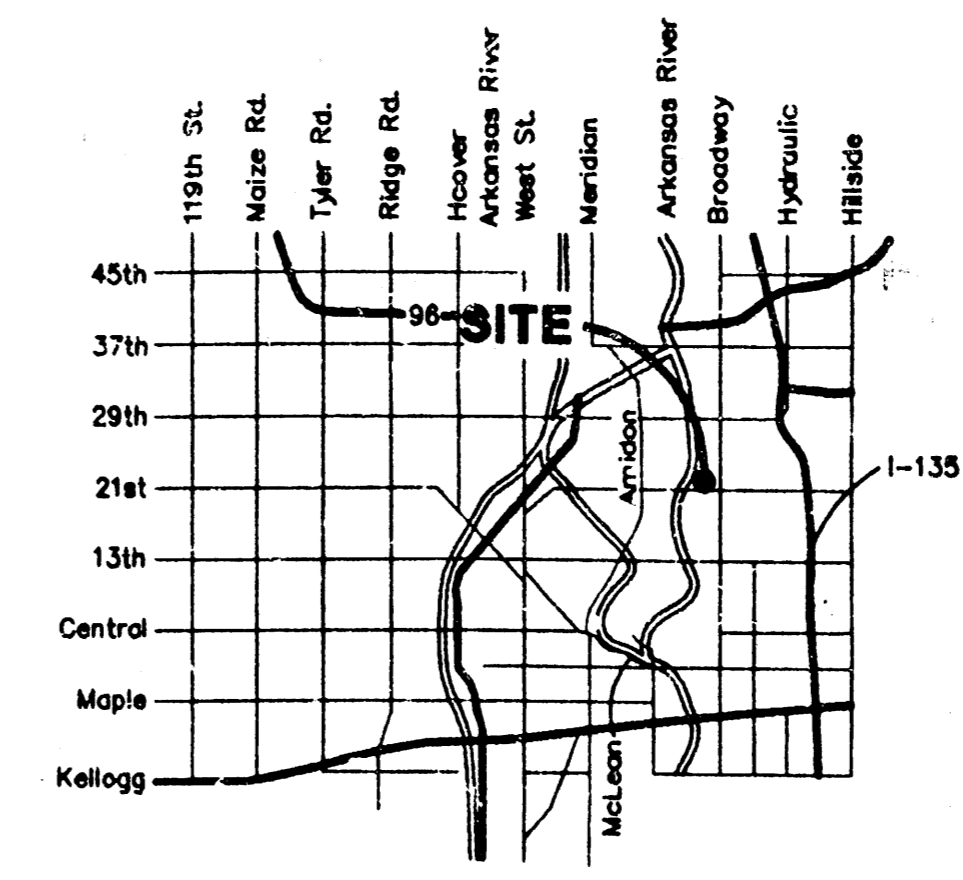
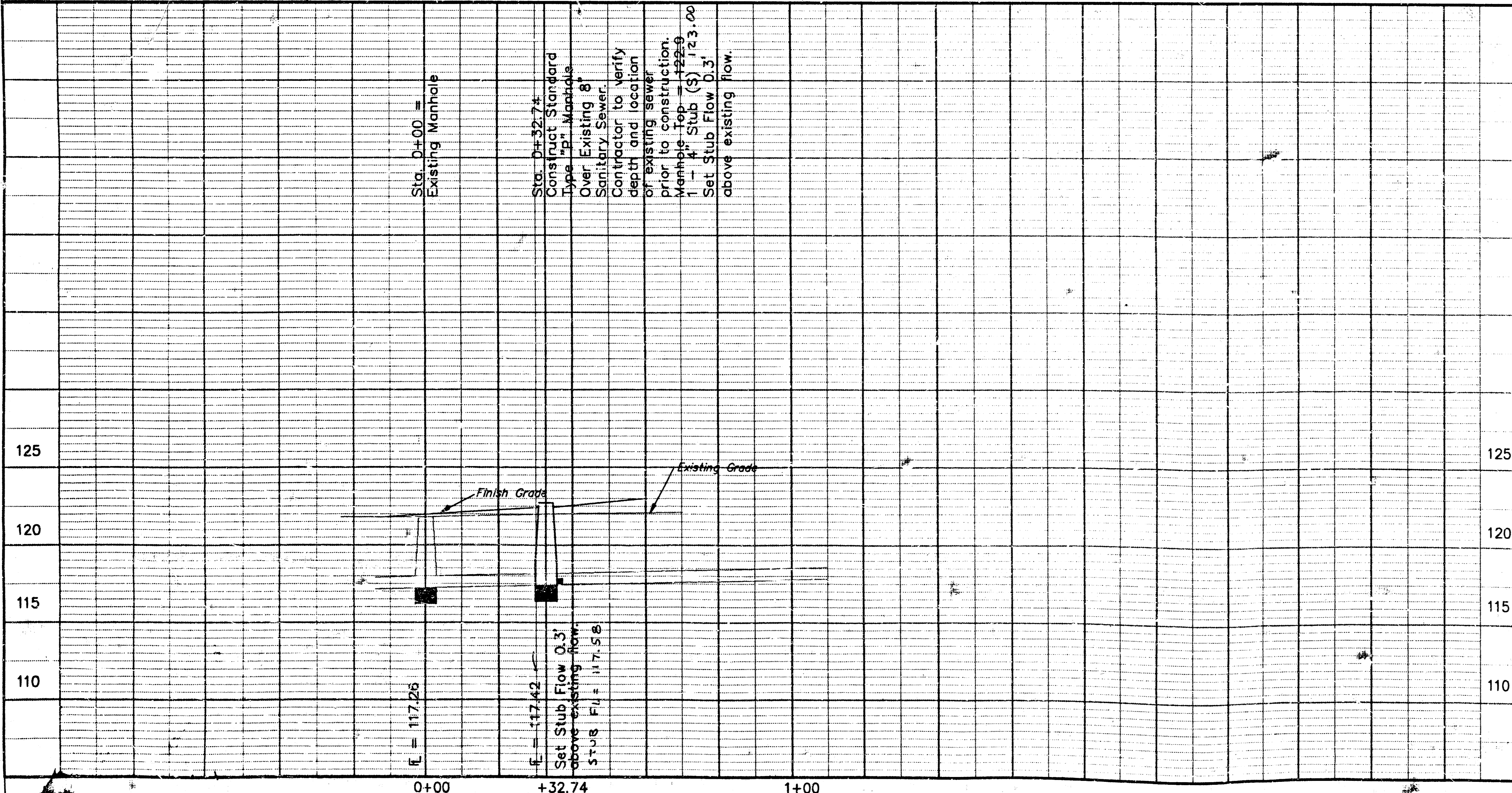


SCALE: 1" = 20'



BENCHMARK: 25th Street North and Arkansas City of Wichita Disc 40' South and 32' West of the centerline of both Elevation = 127.63 (City Datum)



VICINITY MAP

SEWER EXTENSIONS TO SERVE QUIKTRIP 6TH ADDITION

GENERAL NOTES

1. Contractor will be required to provide notice to utility companies a minimum of twenty-four (24) hours prior to any excavation as follows:
Kansas One-Call 687-2470
2. Existing utilities and their locations as shown on the plans represent the best information obtainable for design. Location information has been obtained from the various utility companies and is either from company records or company field-provided locations. The Contractor will be required to work around existing utilities which do not conflict with proposed construction.
3. The Contractor is to verify utility locations prior to construction for this project.
4. Traffic affected by the construction of this project shall be handled in accordance with the latest edition of the Manual on Uniform Traffic Control Devices.
5. All disturbed areas shall be seeded with Rebel II fescue at the rate of 300 lbs. per acre. Fertilizer (13-13-13) shall be applied at the rate of 100 lbs. per acre.
6. Contractor shall not start work on the project until the project inspector is assigned to the project and is present on the site. Any work done without inspection will be required to be uncovered for inspection.
7. Utility service connections are to be installed per applicable City codes.
8. Existing manhole and line to be abandoned as part of this project. Abandonment and/or removals to be in accordance with applicable City of Wichita codes and regulations.

APPROVED AS NOTED
BY CITY ENGINEER OF WICHITA

Sanitary Sewers VRH 8/3/95
Storm Sewers VRH 8/3/95

NOTE TO CONTRACTORS

Inspection and testing for this project is to be provided by a Licensed Consulting Engineering Firm under contract with the Owner/Developer. Said inspection is to be in accordance with the City of Wichita staff and construction engineering practices and controlled by a Licensed Professional Engineer. No work shall be performed in dedicated easements or public right-of-way by the Contractor without such inspection nor shall any work be commenced without written authorization by the City Engineer. All Construction and Materials shall comply with the City of Wichita Specifications and Standards (on file and available in the City Engineer's Office).

Booked 12/4/95
JAB
From As Boitts

INDEX

Sheet 1 Sanitary Sewer Plan and Profile
Sheet 2 Manhole Details
Sheet 3 Stormsewer Line 1
Sheet 4 Copy of Plat

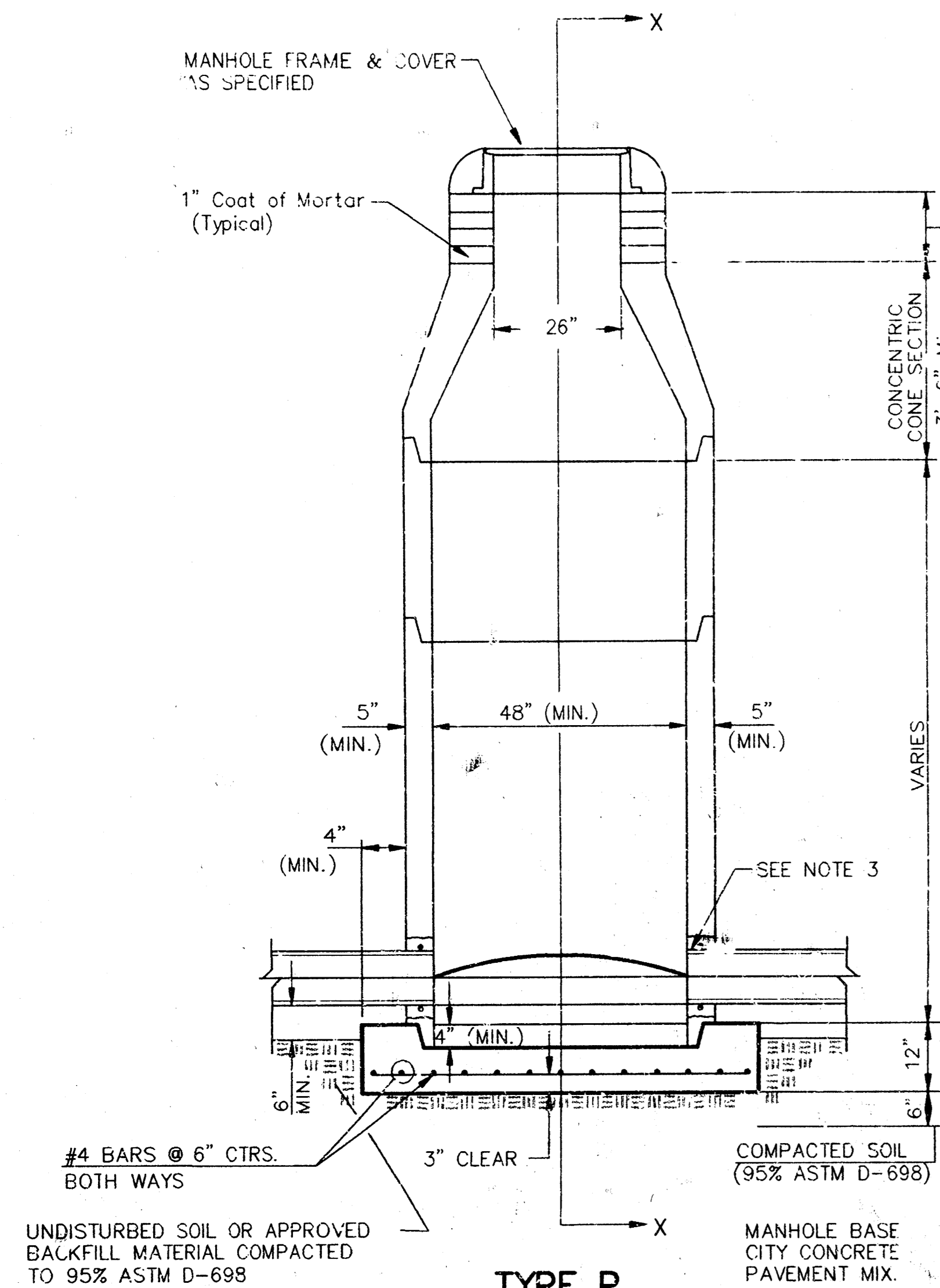
ASBUILT 11/15/95 JFB

QUIKTRIP #301
SEWER EXTENSIONS
21ST AND ARKANSAS

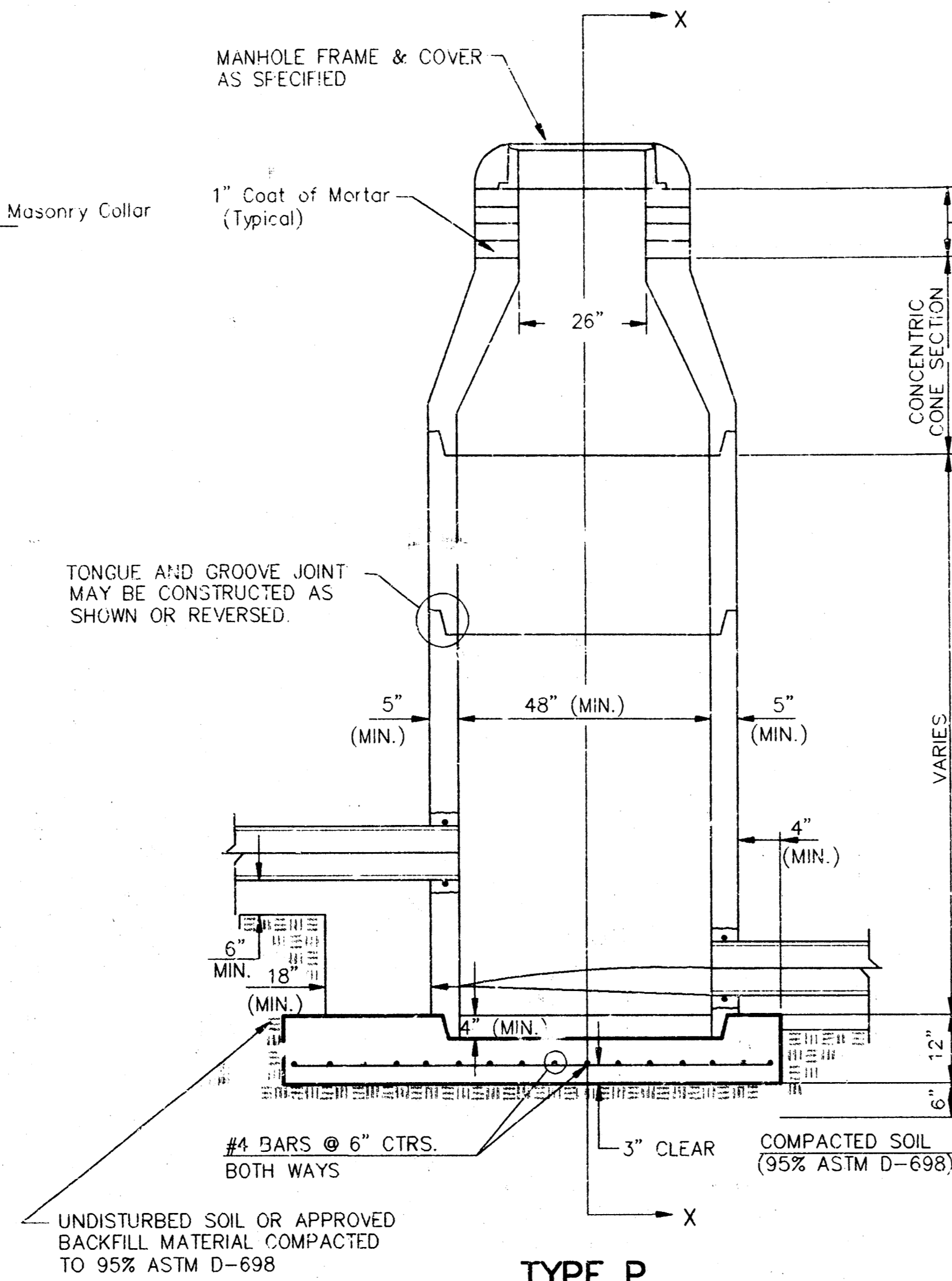
BAUGHMAN COMPANY P. A.
ENGINEERING, SURVEYING, & PLANNING
316-262-7271 • 315 ELLIS • WICHITA, KANSAS 67211

DESIGN TA	DRAWN TA	APPROVED	DATE AUG 95	SCALE NOTED	SHEET 1 OF 4
--------------	-------------	----------	----------------	----------------	-----------------------

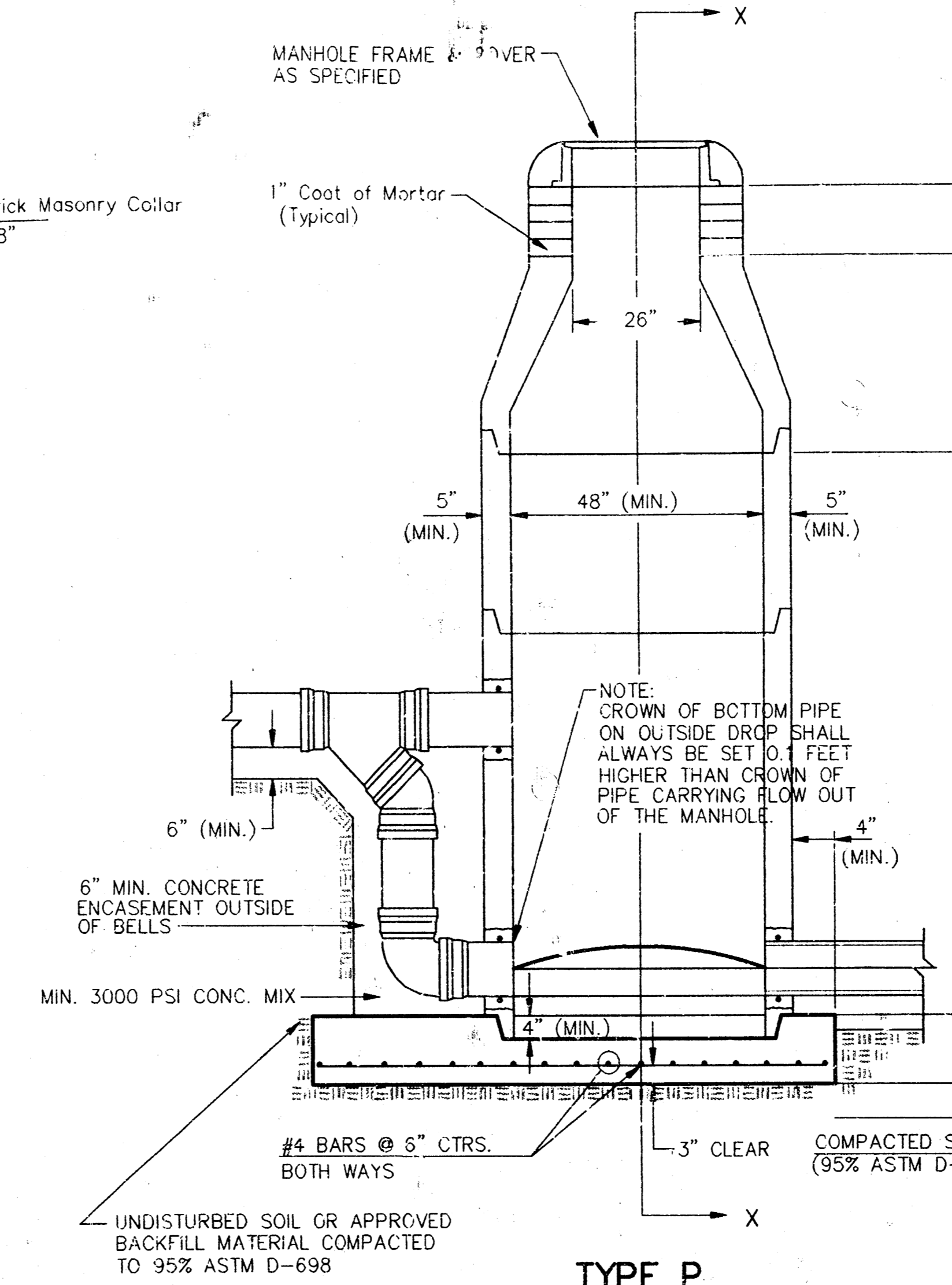
SEWER APPURTENANCES DETAILS



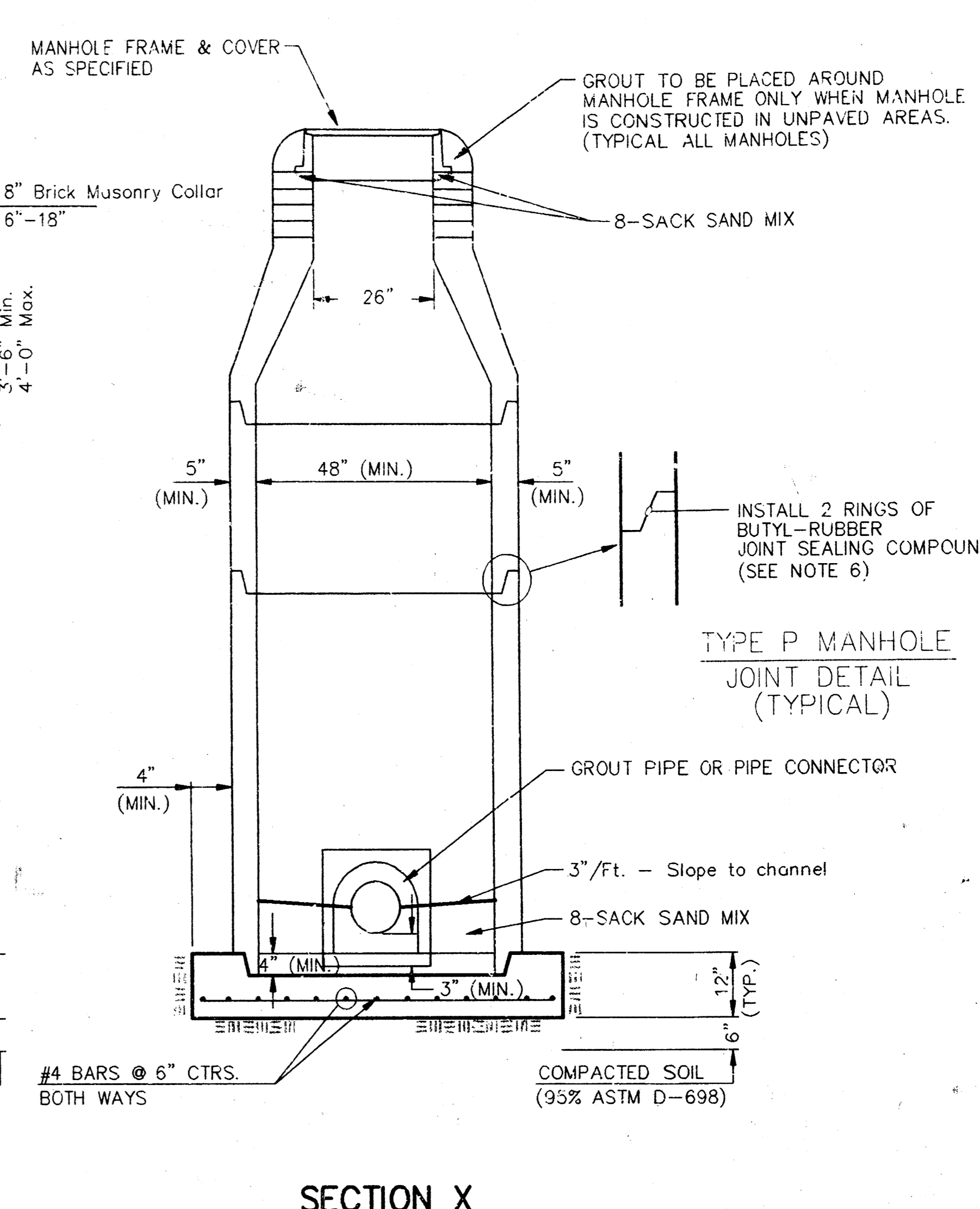
**TYPE P
STANDARD MANHOLE**



**TYPE P
INSIDE DROP MANHOLE**



**TYPE P
OUTSIDE DROP MANHOLE**



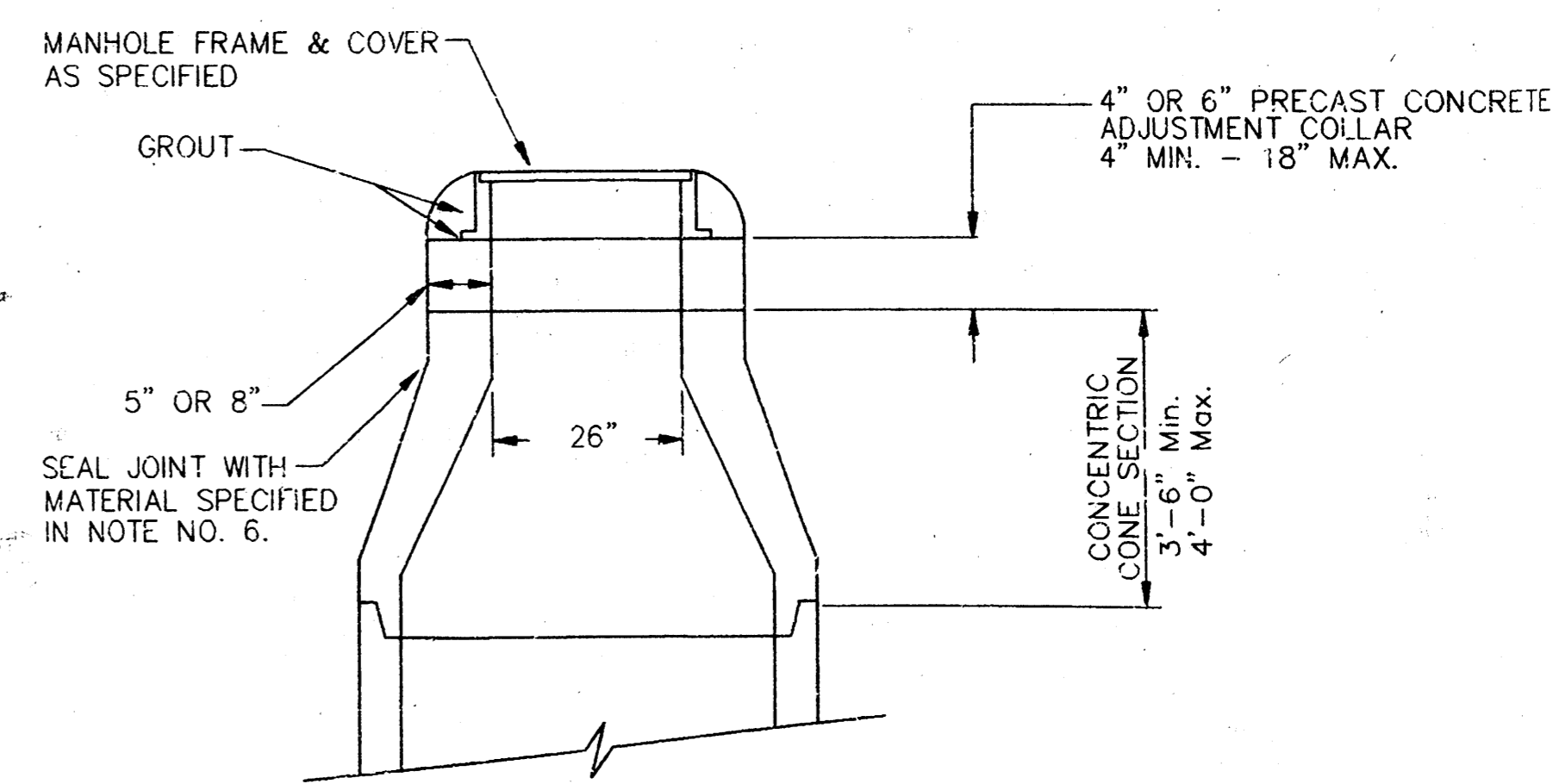
**SECTION X
(TYPICAL)**

GENERAL NOTES
PRECAST MANHOLE NOTES

- ALL PRECAST CONCRETE MANHOLE SECTIONS SHALL CONFORM TO THE LATEST REVISIONS OF A.S.T.M. C478 AS MODIFIED BY THE SPECIFICATIONS.
- NON-SHRINK GROUT SHALL BE NON-METALLIC TYPE.
- APPROVED FLEXIBLE WATERSTOP GASKETS SHALL BE INSTALLED TO JOIN THE SEWER TO THE MANHOLE WALL WHEN A.B.S. COMPOSITE PIPE OR P.V.C. PIPE IS USED. FOR OTHER TYPES OF PIPE THE SEWER SHALL BE GROUTED IN PLACE WITH NON-SHRINK GROUT. THE SEWER PIPE SHALL BE SUPPORTED WITH CONCRETE ENCASEMENT A MINIMUM OF 3 FEET FROM THE MANHOLE WALL AND TO THE FIRST JOINT FOR V.C.P. SUCH THAT THE JOINT REMAINS FLEXIBLE.
- ALL INSIDE SURFACES OF THE CONCRETE MANHOLE WHICH WOULD BE EXPOSED TO SEWER GAS SHALL BE COATED WITH 2 COATS TNEMC SERIES 66 HI-BUILD EPOXYLINE, DRY THICKNESS OF 8 MILS (MIN.)
- EXTERIOR MANHOLE WALLS SHALL BE COATED WITH 1 COAT MOBILARMA 633 BITUMINOUS COATING.
- JOINT SEALING COMPOUND SHALL BE KENT SEAL NO. 2 OR APPROVED EQUAL.
- PRECAST MANHOLES SHALL BE SET AT LEAST 4 INCHES INTO THE MANHOLE BASE.
- TOP OF MANHOLE FLOOR SLAB SHALL BE AT LEAST 3 INCHES BELOW THE FLOW LINE OF THE OUTLET PIPE TO INSURE SUFFICIENT MINIMUM THICKNESS OF SHAPED INVERT.
- LIFTING HOLES SHALL BE FILLED WITH NON-SHRINK GROUT AND THE INTERIOR SURFACE COATED AS SPECIFIED.
- MORTAR USED IN MASONRY CONSTRUCTION SHALL CONTAIN 8 SACKS OF CEMENT PER CUBIC YARD. CONCRETE USED IN MANHOLE BASES SHALL CONFORM TO THE REQUIREMENTS OF CONCRETE FOR CONCRETE PAVEMENT CONSTRUCTION AS SPECIFIED IN THE CITY STANDARD PAVING SPECIFICATIONS USING CITY CONCRETE PAVEMENT MIX WITHOUT AIR ENTRAINING ADMIXTURE. MORTAR SHALL BE PLACED AROUND THE MANHOLE RING AS SHOWN ON THE DRAWINGS WHEN MANHOLES ARE CONSTRUCTED IN UNPAVED AREAS. MANHOLES CONSTRUCTED WHERE PIPE SIZES ARE SMALLER THAN 24" SHALL HAVE AN INSIDE DIAMETER OF 4". MANHOLES CONSTRUCTED WHERE PIPE SIZES ARE 24" OR LARGER SHALL HAVE AN INSIDE DIAMETER OF 5". COMPLETED MANHOLE SHALL BE WITHOUT LEAKS AND WATER TIGHT.

- REINFORCING STEEL SHALL BE INSTALLED IN THE MANHOLE BASES AND SHALL CONSIST OF NO. 4 BARS PLACED ON CENTERS IN BOTH DIRECTIONS. THE MANHOLE BASE REINFORCEMENT SHALL BE PLACED AT LEAST 3" ABOVE THE BOTTOM OF THE MANHOLE BASE. ALL COSTS FOR FINISHING AND INSTALLING REINFORCING STEEL SHALL BE INCLUDED IN THE UNIT PRICE BID FOR THE MANHOLE.
- OPENINGS SHALL BE CUT INTO THE MANHOLE WALL WHEN OUTSIDE DROPS ARE CONSTRUCTED ON EXISTING MANHOLES. SUCH OPENINGS CUT INTO EXISTING MANHOLES SHALL BE AS SMALL AS PRACTICAL TO FACILITATE INSTALLING AND GROUTING THE NEW PIPE IN PLACE. WATERSTOP GASKETS SHALL BE USED WITH P.V.C. AND A.B.S. COMPOSITE PIPE. THE NEW PIPE SHALL BE GROUTED INTO THE OPENING USING AN APPROVED NONSHRINK GROUT FOR THE FULL MANHOLE WALL THICKNESS. THE EXTERIOR OF THE COMPLETED CONNECTION SHALL BE SEALED WITH AN APPROVED BITUMINOUS COATING SUCH THAT THE CONNECTION WILL BE WATER TIGHT. FLOOR OF MANHOLE SHALL BE MODIFIED TO FORM NEW FLOW CHANNEL FOR THE NEW CONNECTION AS INDICATED BY THE DRAWING. THIS WORK, INCLUDING MODIFICATION OF MANHOLE FLOOR, SHALL BE PAID FOR AT THE UNIT PRICE BID FOR OUTSIDE DROP STACK CONSTRUCTED ON EXISTING MANHOLE.
- THE FLOORS OF ALL MANHOLES SHALL BE SHAPED WITH FLOW CHANNELS SUCH THAT THE MANHOLES WILL BE SELF-CLEANING AND FREE OF AREAS WHERE SOLIDS COULD BE DEPOSITED AS SEWAGE FLOWS THROUGH THE MANHOLE FROM ALL INLET PIPES TO THE OUTLET PIPE. FLOW CHANNELS SHALL BE FORMED TO MATCH THE BOTTOM HALVES OF THE INFLOWING PIPES AND THE OUTFLOWING PIPE AS SHOWN BY THE DRAWINGS EXCEPT FOR INSIDE DROP MANHOLES. FLOW CHANNELS FOR INSIDE DROP MANHOLES SHALL BE CONSTRUCTED AS INDICATED BY THE DRAWING. MANHOLE FLOORS SHALL HAVE SLOPES OF 3 INCHES PER FOOT IN THE AREAS OUTSIDE OF THE FLOW CHANNELS SLOPED TOWARD THE FLOW CHANNELS. PIPES LAID THROUGH MANHOLES SHALL HAVE THE TOP HALF REMOVED TO NEAT LINES FOR THE FULL INSIDE DIAMETER OF THE MANHOLE. MANHOLE FLOORS SHALL THEN BE SHAPED AROUND THE BOTTOM HALF OF THE PIPE WHICH FORMS THE FLOW CHANNEL.
- PIPES INSTALLED WITHIN THE EXCAVATION MADE FOR THE MANHOLE SHALL BE CRADLED WITH CONCRETE TO THE LIMITS OF THE MANHOLE EXCAVATION. WHEN CLAY PIPE IS USED, THE CRADLE SHALL EXTEND TO THE FIRST JOINT OUTSIDE THE MANHOLE. THE CRADLE SHALL BE TERMINATED AT THE CLAY PIPE JOINT IN A MANNER WHICH WILL MAINTAIN THE FLEXIBILITY OF THE JOINT. COSTS OF CRADLE WITHIN MANHOLE EXCAVATION OR TO CLAY PIPE JOINTS ADJACENT TO MANHOLE SHALL BE INCLUDED IN THE UNIT PRICE BID FOR THE MANHOLE.

- MANHOLE COVER CASTINGS AND MANHOLE FRAME CASTINGS SHALL CONFORM TO THE REQUIREMENTS AS INDICATED IN THE STANDARD SPECIFICATIONS AND AS SHOWN IN THE STANDARD DETAIL DRAWINGS.
- THE VERTICAL DROP IN INSIDE DROP MANHOLES SHALL NOT EXCEED 2' FOR INFLOWING PIPES SIZED 12" OR SMALLER AND 2' FOR INFLOWING PIPES LARGER THAN 12". THE CROWNS OF INFLOWING PIPES SHALL NEVER BE SET LOWER THAN THE CROWN OF THE OUTFLOWING PIPE.
- STANDARD MANHOLES AND STANDARD INSIDE DROP MANHOLES SHALL BE BID AS STANDARD MANHOLES FOR THE TYPE AND DIAMETER INDICATED. OUTSIDE DROP MANHOLES SHALL BE BID AS STANDARD OUTSIDE DROP MANHOLES FOR THE TYPE AND DIAMETER INDICATED. ALL MANHOLE DIAMETERS WILL BE 4' UNLESS INDICATED OTHERWISE.
- A BRICK MASONRY COLLAR SHALL BE INSTALLED BETWEEN THE CAST IRON FRAME AND THE CONCENTRIC CONE. THE COLLAR WILL HAVE 8" WALLS AND A VERTICAL HEIGHT OF 6" MINIMUM AND 18" MAXIMUM. A 1" COAT OF MORTAR WILL BE PLASTERED ON THE OUTSIDE OF THE COLLAR. THE USE OF PRE-CAST CONCRETE SPACERS FOR MANHOLE TOP ADJUSTMENT IS ALSO ALLOWED.



**ALTERNATE CONSTRUCTION
IN UNPAVED AREAS**

CITY OF WICHITA
STD. MANHOLE DETAILS
& SEWER APPURTENANCES DETAILS

BAUGHMAN COMPANY P. A.
ENGINEERING, SURVEYING, & PLANNING
310-262-7271 • 310 ELLIS • WICHITA, KANSAS 67211

PROJECT NUMBER: _____ SHEET: 2/4

DESIGN	DRAWN	APPROVED	DATE	SCALE
	NOV. 93			

BENCHMARK: 25th Street North and Arkansas
City of Wichita Disc 40' South and 32' West of
the centerline of both.
Elevation = 127.63 (City Datum)

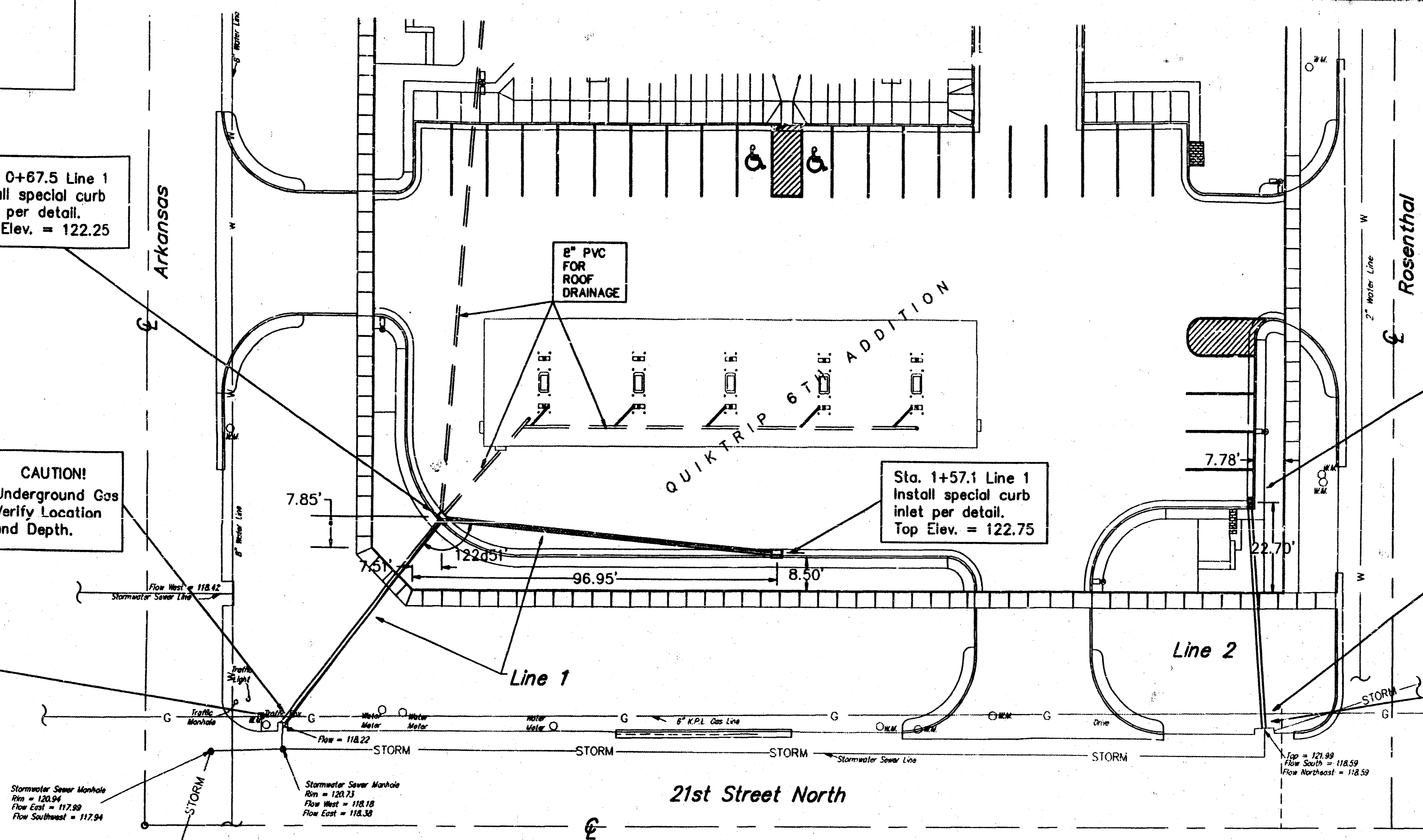


SCALE: 1" = 20'

Sta. 0+67.5 Line 1
Install special curb
inlet per detail.
Top Elev. = 122.25

CAUTION!
Underground Gas
Verify Location
and Depth.

Sta. 0+00 Line 1
Connect to existing
curb inlet and begin
installation of 12"
pipe.



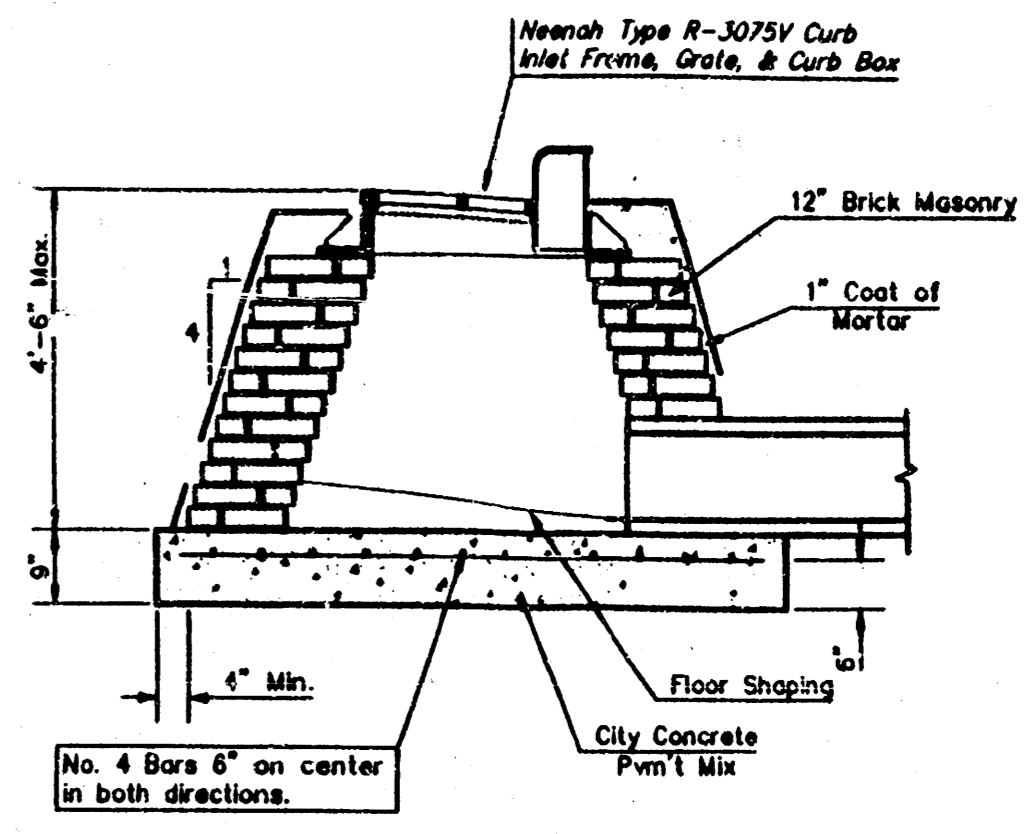
NOTE: Contractor to verify flows
of existing inlets prior to construction.

Sta. 0+57.7 Line 2
Install special curb
inlet per detail.
Top Elev. = 122.25

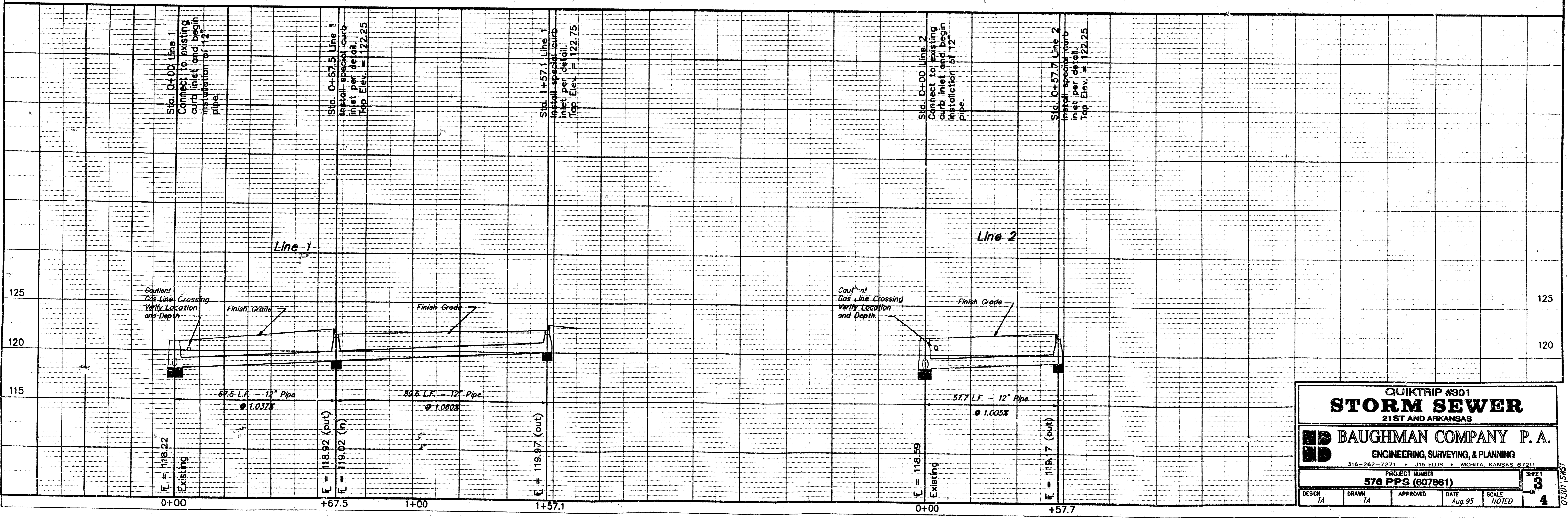
CAUTION!
Underground Gas
Verify Location
and Depth.

Sta. 0+00 Line 2
Connect to existing
curb inlet and begin
installation of 12"
pipe.

NOTE:
Contractor may elect to use
either CMP or RCP pipe.



MODIFIED SPECIAL SHALLOW TYPE "B" MANHOLE



QUICKTRIP #301			
STORM SEWER			
21ST AND ARKANSAS			
BAUGHMAN COMPANY P. A.			
ENGINEERING, SURVEYING, & PLANNING			
316-262-7271 • 310 E. ILLUS • WICHITA, KANSAS 67211			
PROJECT NUMBER			
576 PPS (607861)			
DESIGN	DRAWN	APPROVED	DATE
TA	TA		Aug 95
SCALE		NOTED	
SHEET			3
			4

QUIKTRIP 6TH ADDITION

Wichita, Sedgwick County, Kansas

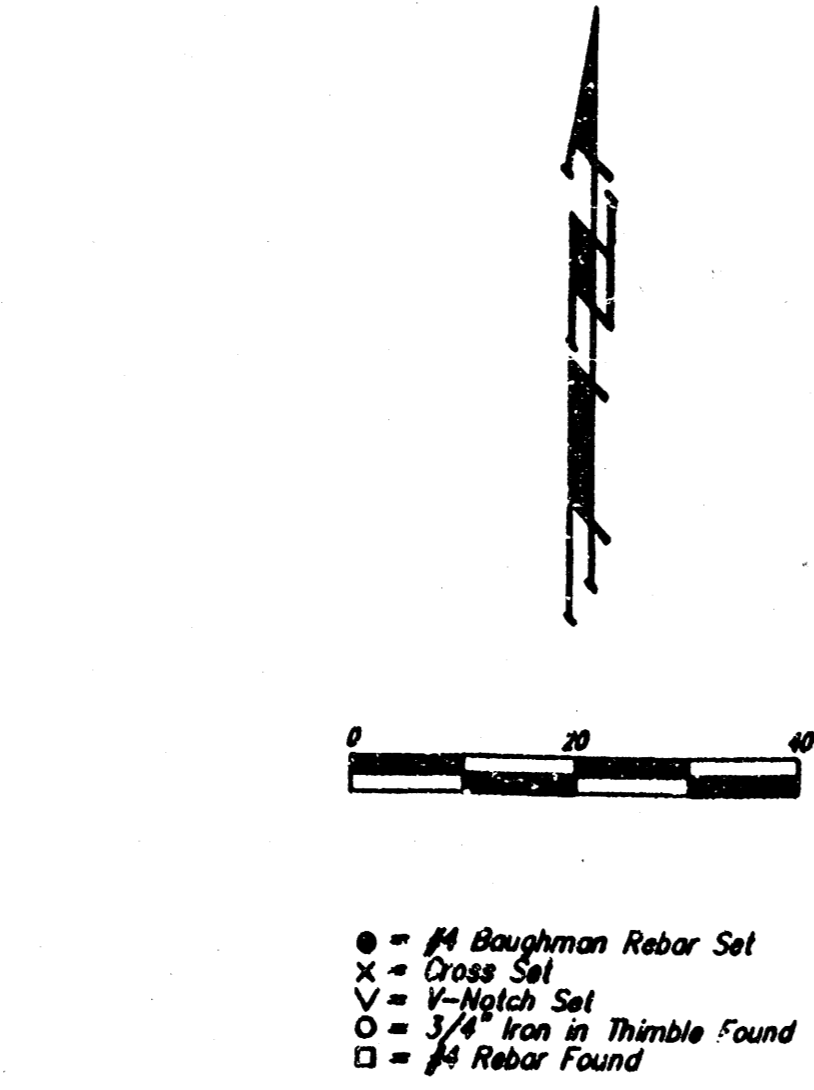
State of Kansas) SS We, Baughman Company, P.A., Surveyors in
Sedgwick County) and State do hereby certify that we have surveyed
aforesaid County and State do hereby certify that we have surveyed
and platted "QUIKTRIP 6TH ADDITION", Wichita, Sedgwick County, Kansas and
that the accompanying plat is a true and correct exhibit of the property
surveyed, described as and being a replat all of Lots 1, 3, 5, 7, 9,
11, 13, and 15, on Arkansas Avenue, in Rosenthal's Subdivision of Meyers
and Snyders Out-Lots to Wichita, Sedgwick County, Kansas, and all of
Lots 2, 4, 6, 8, 10, 12, 14, 16, 18, 20, and the South 16 2/3 feet of
Lot 22, on Rosenthal Avenue, in Rosenthal's Sub-Division of Meyers
and Snyders Out-Lots to Wichita, Kansas, Sedgwick County, Kansas.

All being located in the SE 1/4 of Sec. 5, Twp. 27-S, R-1-E of
the 6th P.M., Sedgwick County, Kansas.

Existing public easements and dedications being vacated by virtue
of K.S.A. 12-512(b).

Baughman Co., P.A.

Gregory F. Sevrens Surveyor



● = #4 Baughman Rebar Set
x = Cross Set
v = V-Notch Set
○ = 3/8" Iron in Thumb Found
□ = #4 Rebar Found

This plat of "QUIKTRIP 6TH ADDITION", Wichita,
Sedgwick County, Kansas has been submitted to and approved by
the Wichita-Sedgwick County Metropolitan Area Planning Comm-
ission, Wichita, Kansas.
Dated this ____ day of _____, 1995.
Wichita-Sedgwick County Metropolitan Area Planning Commission

John W. McKay, Jr. Chairman

Marvin S. Krout Secretary

This plat approved and all dedications
shown hereon accepted by the City Council of the City of Wichita,
Kansas, this ____ day of _____, 1995.

Bob Knight Mayor

Pat Burnett City Clerk

Know all men by these presents that we, the
undersigned, have caused the land in the surveyors certificate
to be platted into a Lot, an Alley, and Streets to be known as
"QUIKTRIP 6TH ADDITION", Wichita, Sedgwick County, Kansas. The
utility easement is hereby granted as indicated for the construction
and maintenance of all public utilities. The alley is hereby dedicated
to and for the use of the public. The streets are hereby dedicated
to and for the use of the public. All abutters rights of access to
or from 21st Street North over and across the south line of Lot 1
are hereby granted to the City of Wichita, Kansas provided, however,
that Lot 1 shall have access to 21st Street North at one location
over all except the west 90 feet thereof, as shall be determined by
the City Engineer of the City of Wichita, Kansas. All abutters rights
of access to or from Arkansas Avenue over and across the west
line of Lot 1 are hereby granted to the City of Wichita, Kansas
provided, however, that Lot 1 shall have access to Arkansas Avenue
at one location over all except the south 50 feet thereof, as shall
be determined by the City Engineer of the City of Wichita, Kansas.

Quiktrip Corporation

Alvin Howerton Executive Vice-President

Entered on transfer record this ____ day
of _____, 1995.

Susan E. Crockett-Spoon County Clerk

State of Kansas) SS The foregoing instrument acknowledged be-
Sedgwick County) fore me, this ____ day of _____, 1995, by Alvin Howerton,
Executive Vice-President of Quiktrip Corporation, on behalf of the corporation.

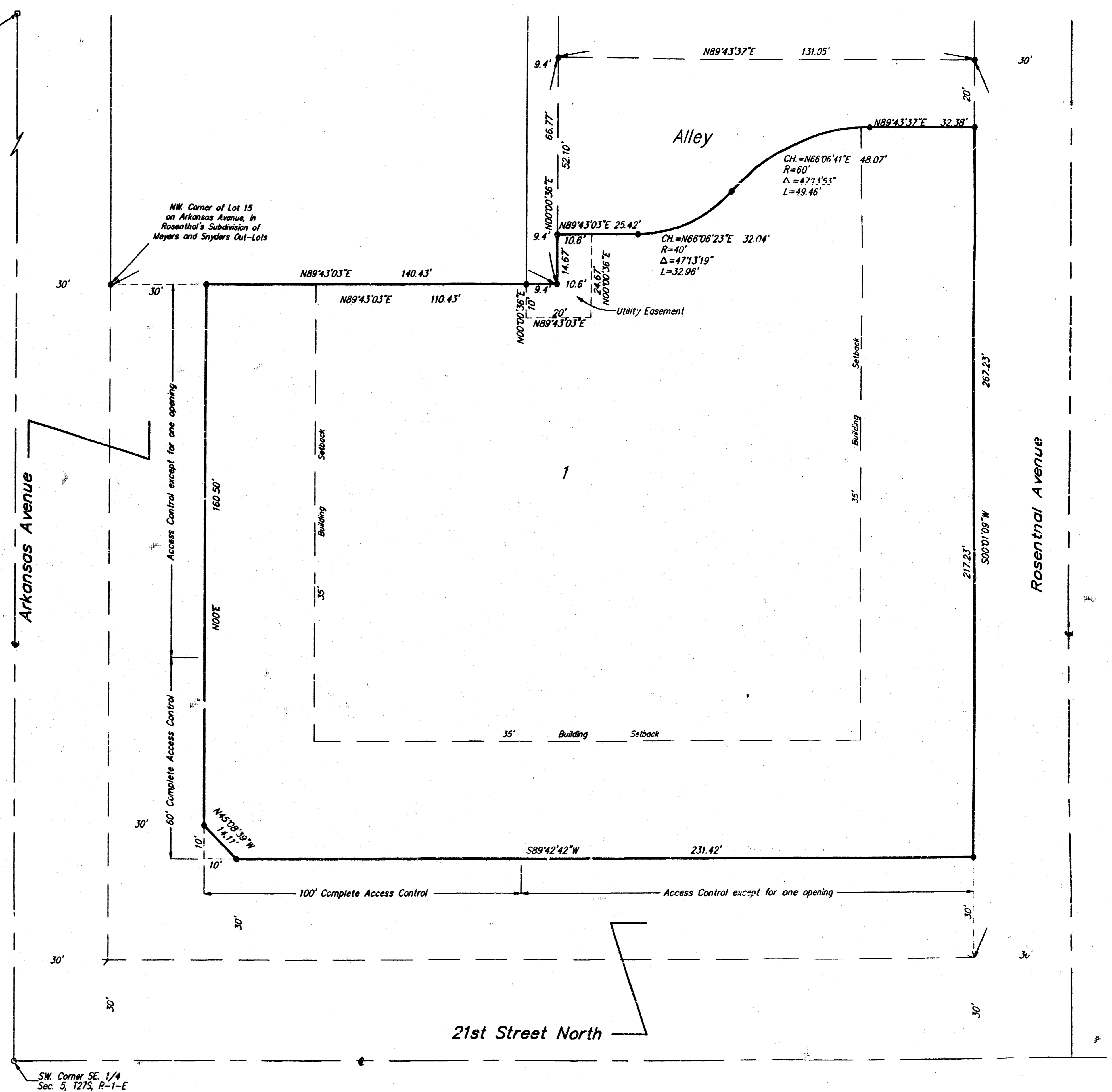
Notary Public

State of Kansas) SS This is to certify that this plat has been
Sedgwick County) filed for record in the office of the Register of Deeds, this ____ day
of _____, 1995, at ____ o'clock ____ M.; and is duly
recorded.

Pat Kettler Register of Deeds

Ed Resa Deputy

My App't. Exp. _____



4
4