

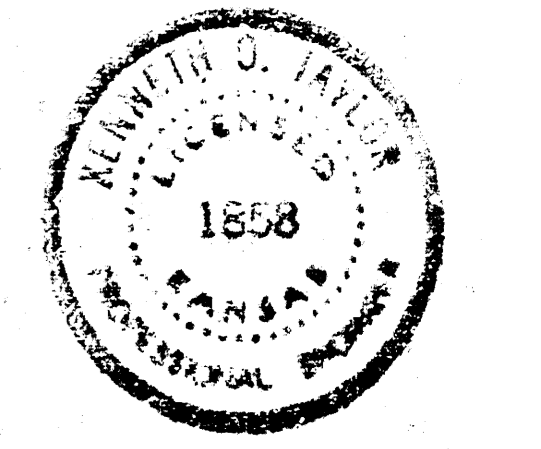
1" = 100' Horizontal
1" = 5' Vertical

1" = 3'

NOTE TO CONTRACTOR
This project will be constructed under the supervision of the CITY ENGINEER and conforming to the SPECIFICATIONS of the CITY OF WICHITA. The CONTRACTOR will reimburse the City of Wichita for all cost of Engineering, Plans, and inspection.

8-17-77
APPROVED AS NOTED
By CITY ENGINEER OF WICHITA
Sanitary Sewers *P.E.T.*
Storm Sewers _____
Driveway Approaches _____

K.O. Taylor, P.E.
Rev. 7-21-77
Rev. 8-12-77
Rev. 8-16-77



Trap into existing
MH - El. 1322.0
New MH vented
if necessary

DRAWING NO. 88103 ("D" SIZE DWG. 88103)

SHEET 3 OF 3 SHEETS

AUG. 16, 1937
K.O. TAYLOR, RE.

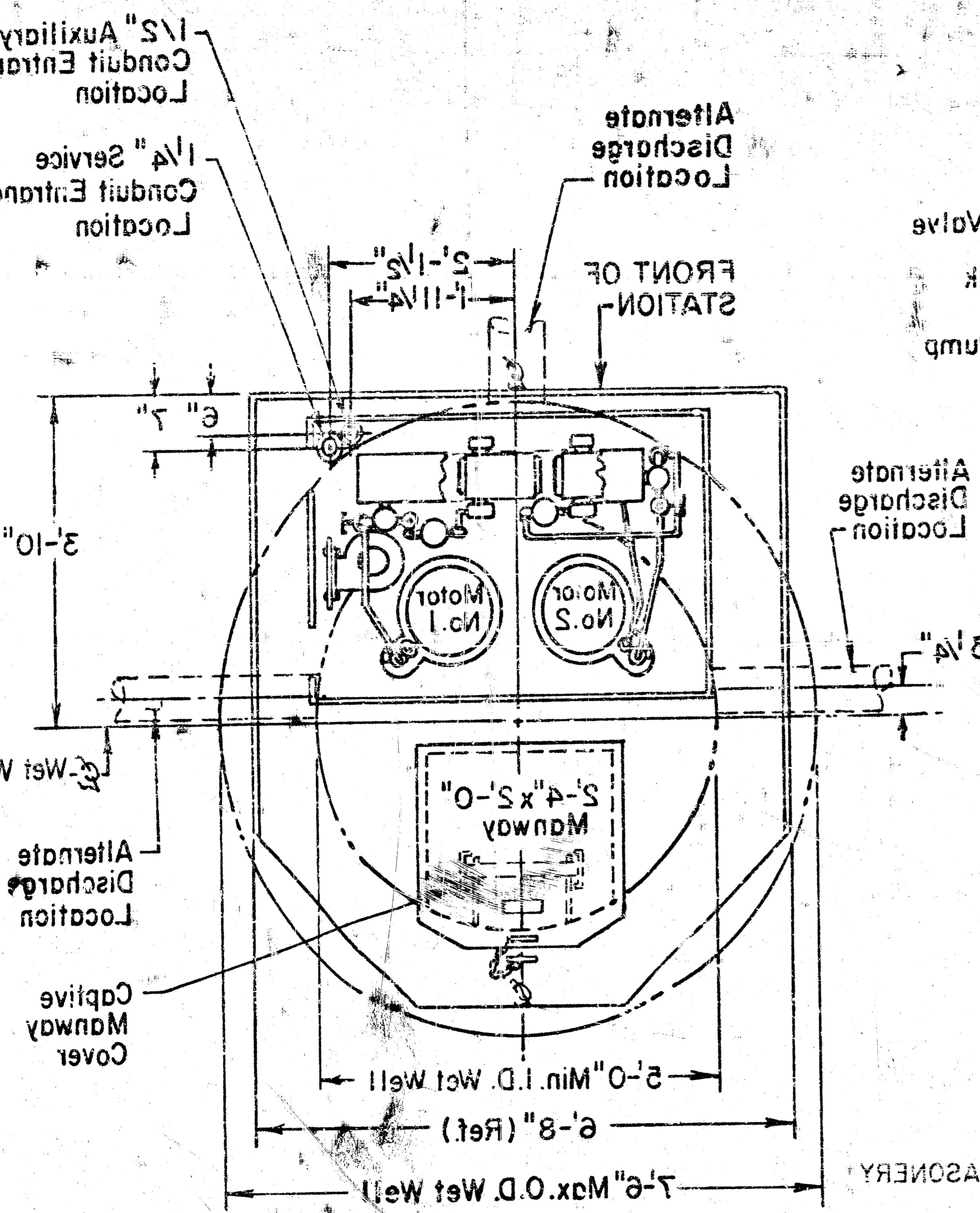


84 51 1347 21 - Top of man @ 26' 0" 24' 2" 26' 7-37-14

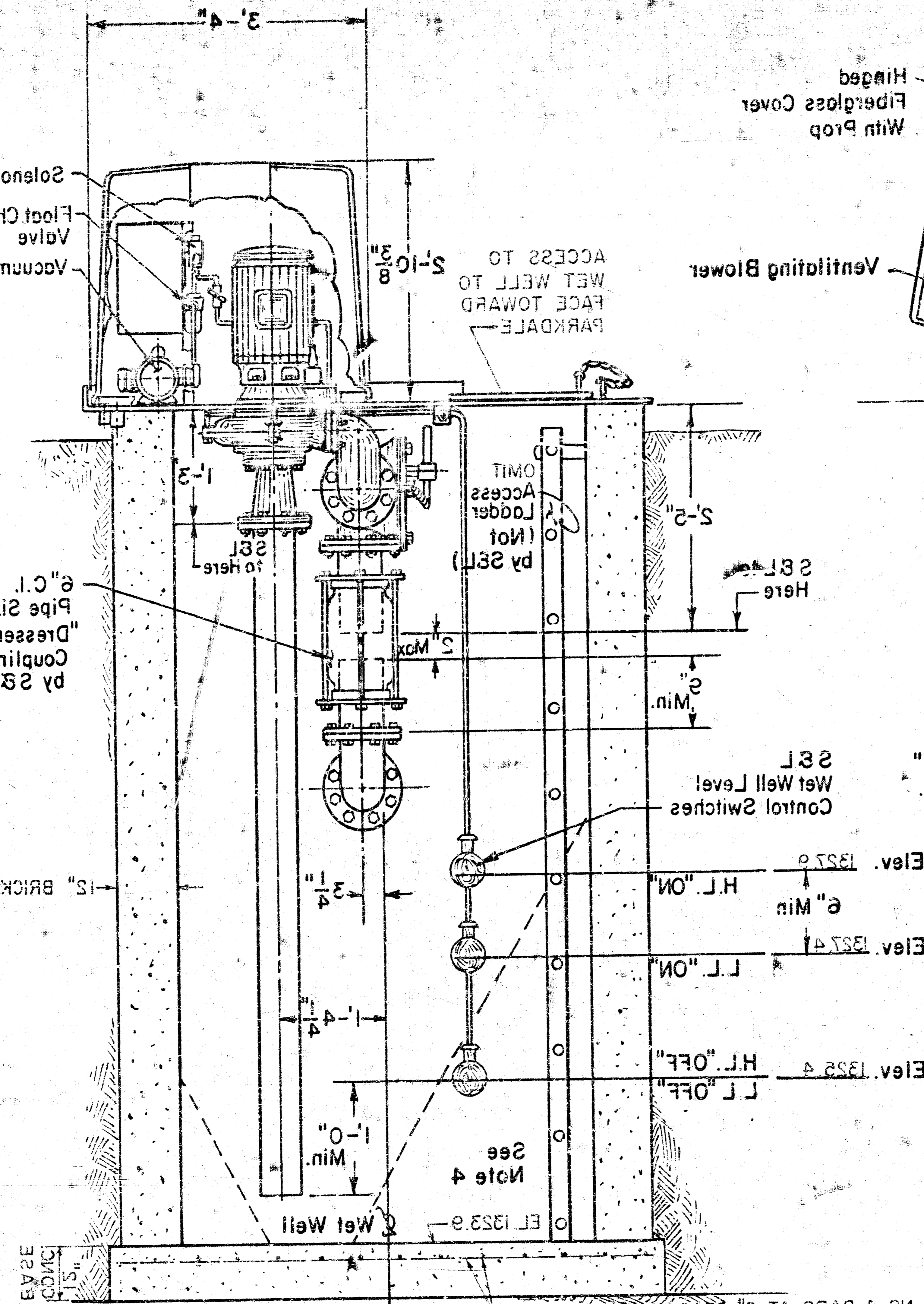
PATENTED IN THE U.S.A. & FOREIGN COUNTRIES

- NOTES
1. Maximum Capacity - 600 G.P.M.
 2. If End of Discharge Line is Below Elevation of Discharge Line at Point of Leaving Wet Well - Consult Factory.
 3. If Discharge Line is Less Than 500 Ft. in Length, a Check Valve May Be Required - Consult Factory.
 4. Provide 60° Slope in Wet Well - As Required.

PLAN VIEW
Machinery Chamber
(Cover Detached For Clarity)



SIDE ELEVATION



REAR ELEVATION

