

SANITARY SEWER EXTENSION
WHISTLING WALK ESTATES 4TH ADDITION
 SEDGWICK COUNTY, KANSAS

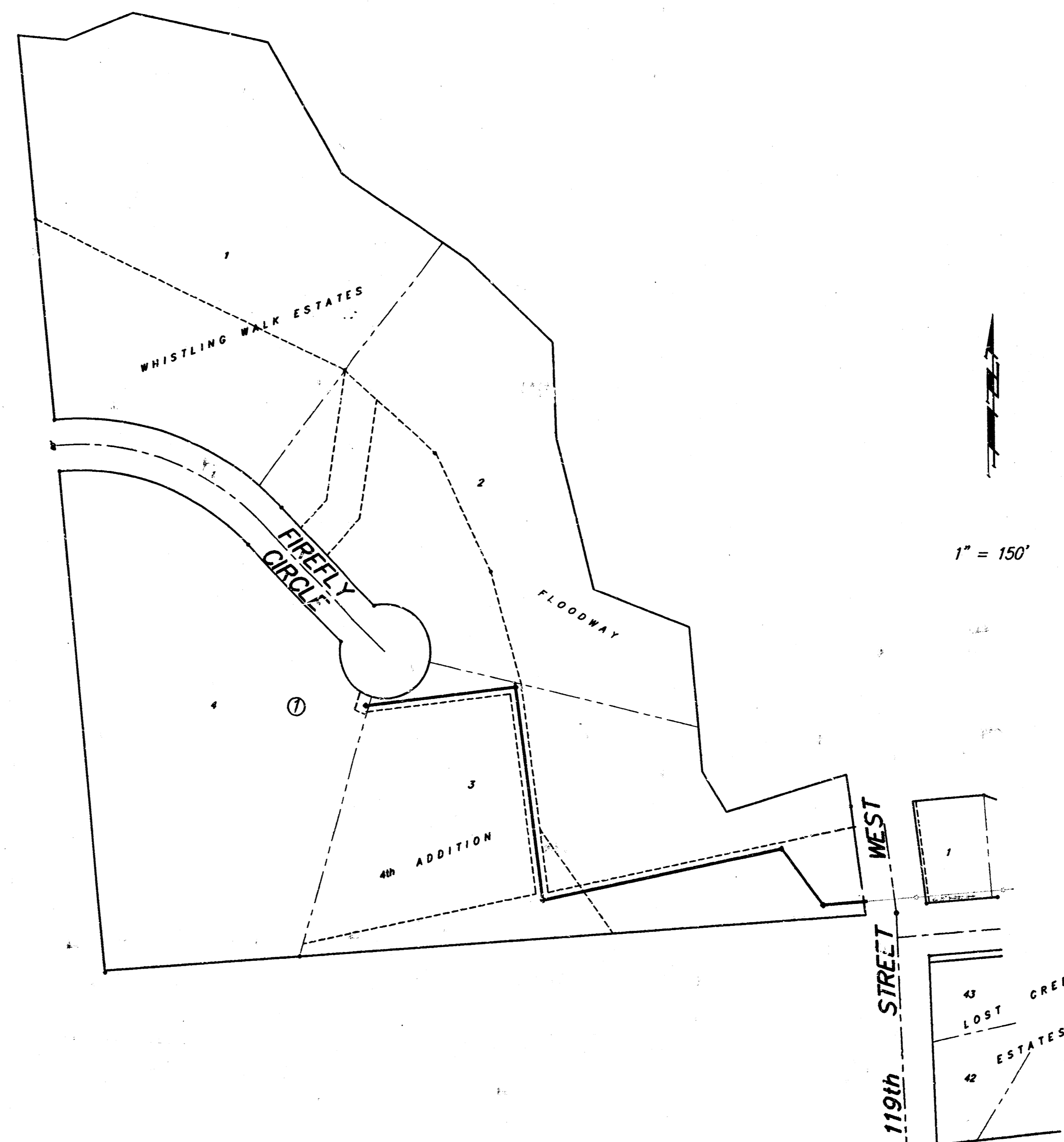
City of Wichita Private Project No. 342 PPS

General Notes

1. Utility pole lines are to be adjusted as necessary by others prior to construction unless the plans specifically call for their adjustment by the Contractor or unless the plans specifically identify a utility to be adjusted by its owner during construction. Existing utilities and their location, as shown on the plans, represent the best information obtainable for design. The Contractor will be required to work around existing utilities within the right-of-way which do not conflict with proposed construction.
2. The Contractor shall be responsible for preserving property irons. The Contractor will be required to re-establish any property irons which are damaged or destroyed by his construction operations. Such irons shall be re-established by a licensed land surveyor in accordance with state laws.
3. Manholes on this project shall be constructed using a watertight bolted and gasketed ring and cover, Deeter #1247-B, or approved equal. The manhole shall otherwise be constructed according to the detail for Type A Special Shallow Manholes.
4. Manholes on this project shall be vacuum-tested in accordance with special provisions to the standard specifications of the City of Wichita, or file in the office of the City Engineer.

Index

- 1 TITLE
 2-3 PLAN / PROFILE
 4 MANHOLE DETAIL



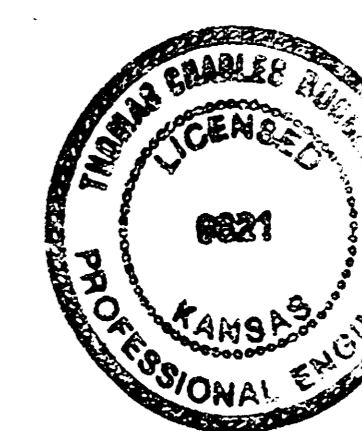
APPROVED AS NOTED
 BY CITY ENGINEER OF WICHITA

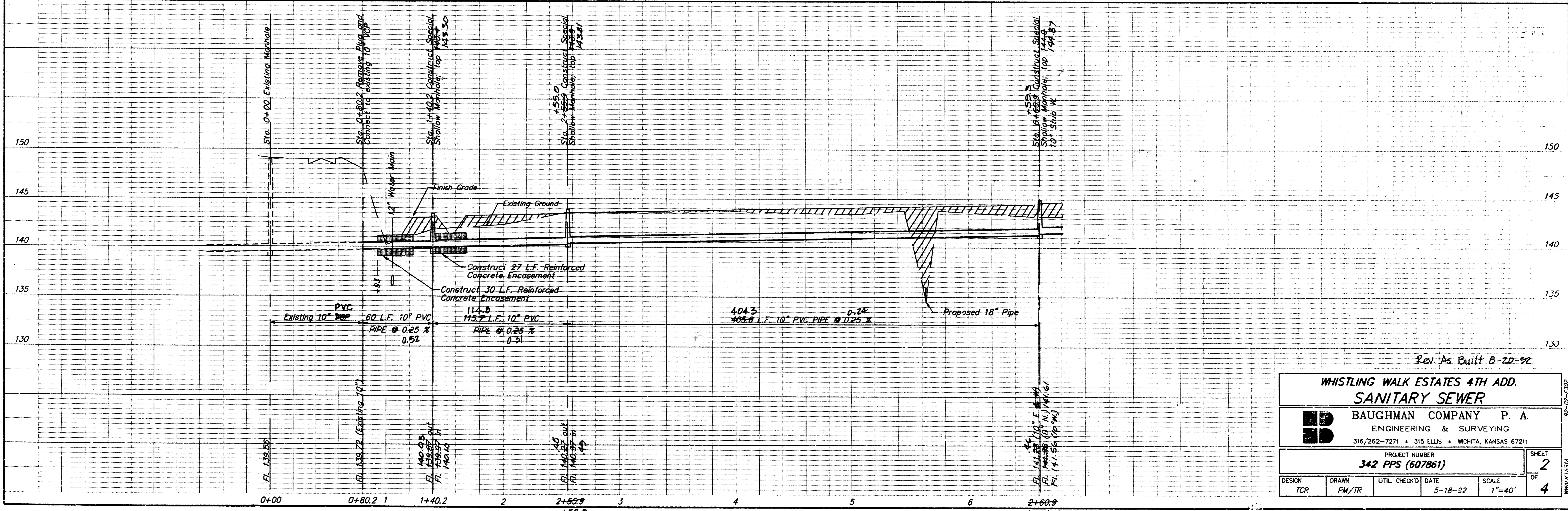
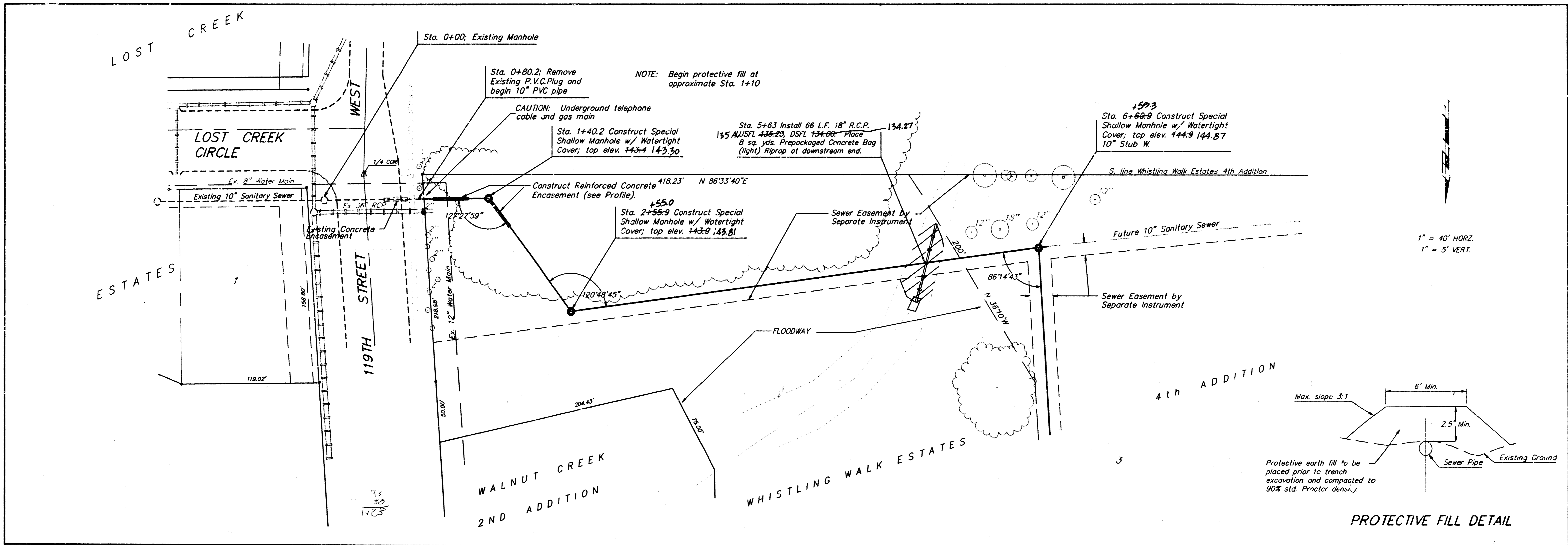
Sanitary Sewers VRH 5/22/92
 Storm Sewers _____
 Driveway Approaches _____
 Water Mains _____
 Paving _____

NOTE TO CONTRACTORS

Inspection and testing for this project is to be provided by a Licensed Consulting Engineering Firm under contract with the Owner/Developer. Said inspection to be in accordance with the City of Wichita standard construction engineering practices and certified by a Licensed Professional Engineer. No work shall be performed in dedicated easements or public right-of-way by the Contractor without such inspection nor shall any work be commenced without written authorization by the City Engineer.

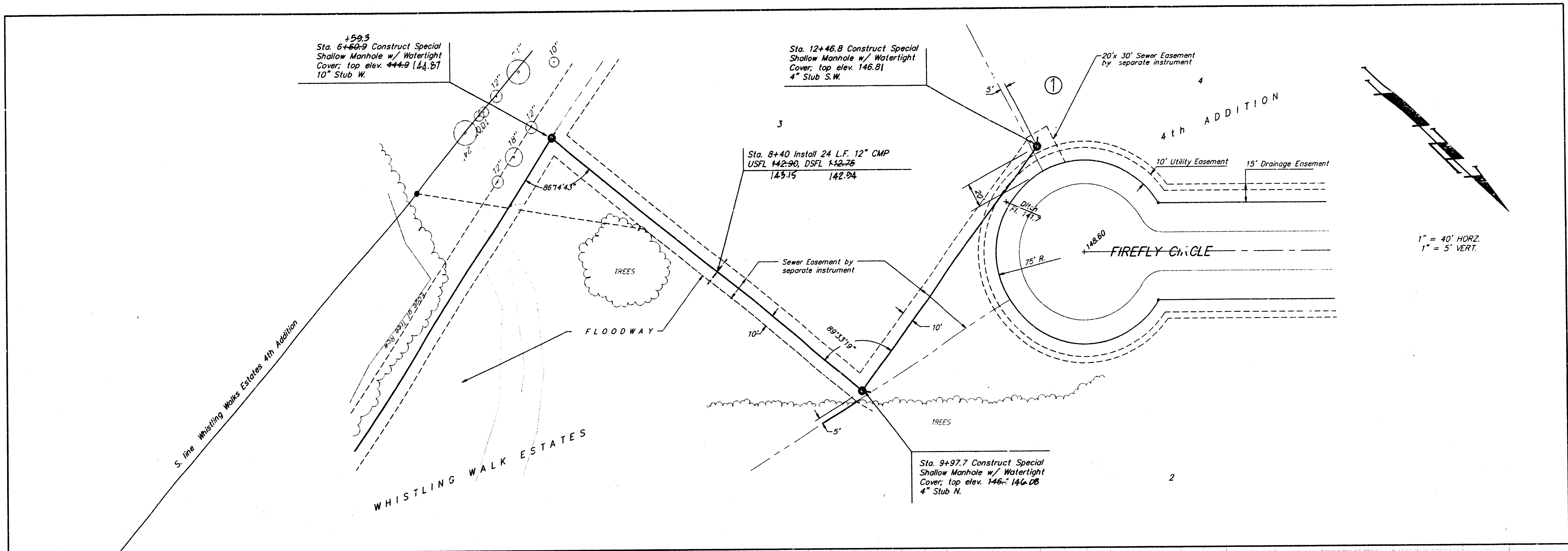
Booked
 10-16-92
 CKB



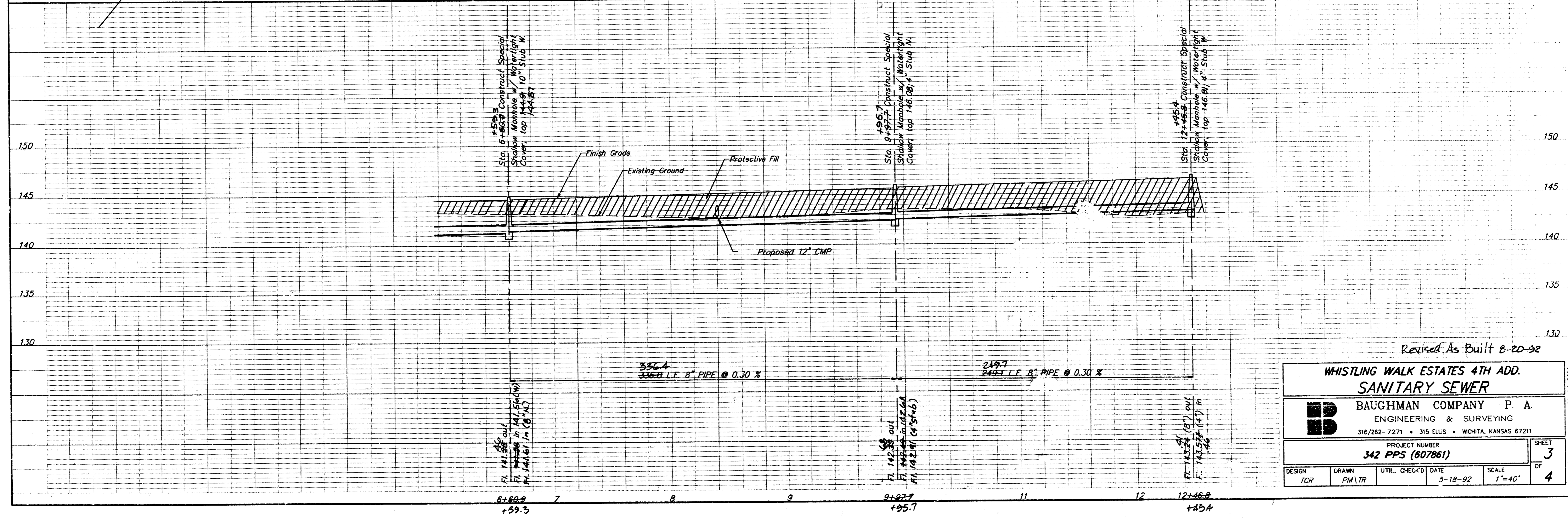


Rev. As Built 8-20-92

WHISTLING WALK ESTATES 4TH ADD.			
SANITARY SEWER			
BAUGHMAN COMPANY P. A.			
ENGINEERING & SURVEYING			
316/262-7271 • 315 ELLIS • WICHITA, KANSAS 67211			
PROJECT NUMBER 342 PPS (607861)			SHEET 2
DESIGN TCR	DRAWN PM/TR	UTIL. CHECK'D DATE 5-18-92	SCALE 1"=40' OF 4



1" = 40' HORZ.
1" = 5' VERT.

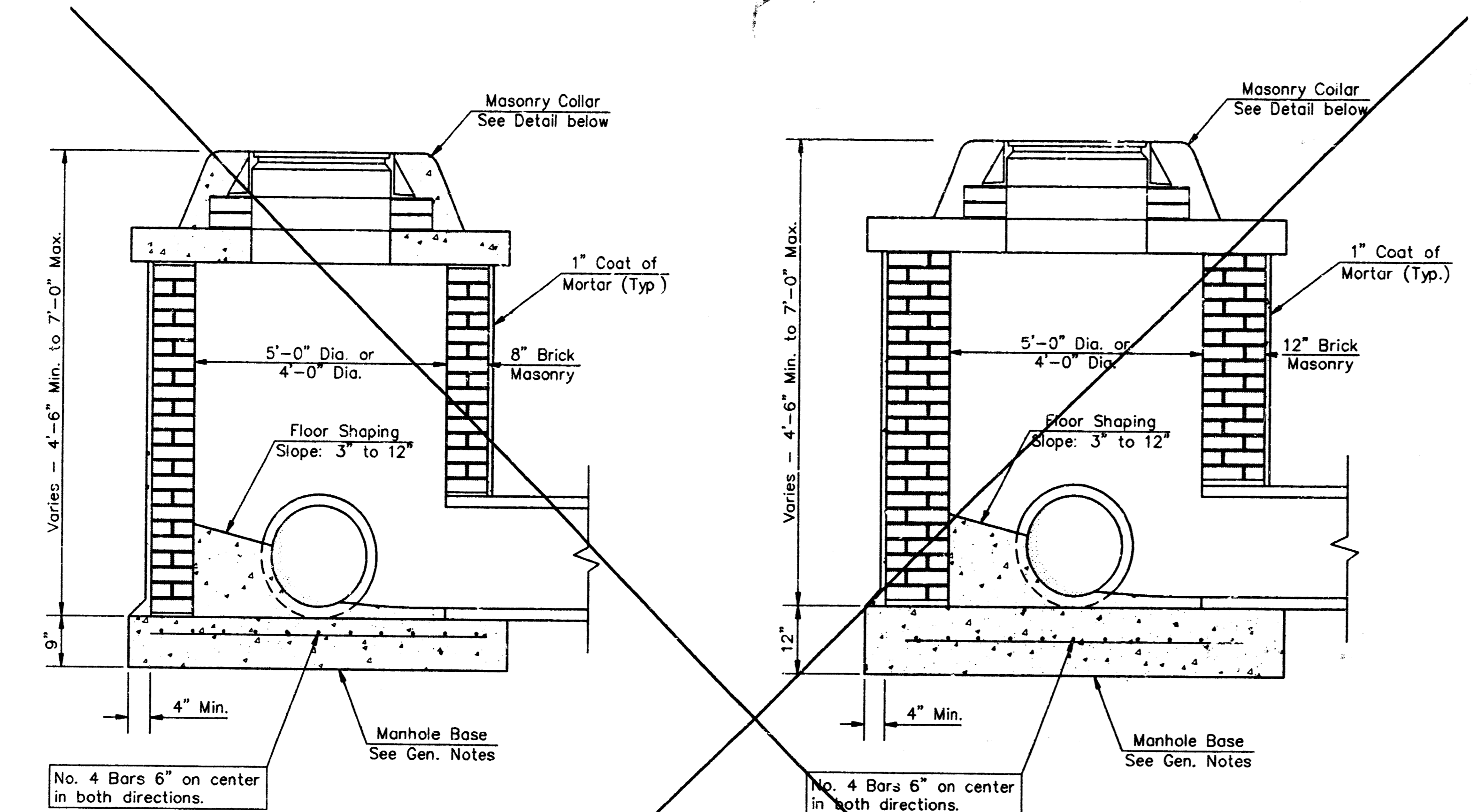


Revised As Built 8-20-92

WHISTLING WALK ESTATES 4TH ADD.
SANITARY SEWER

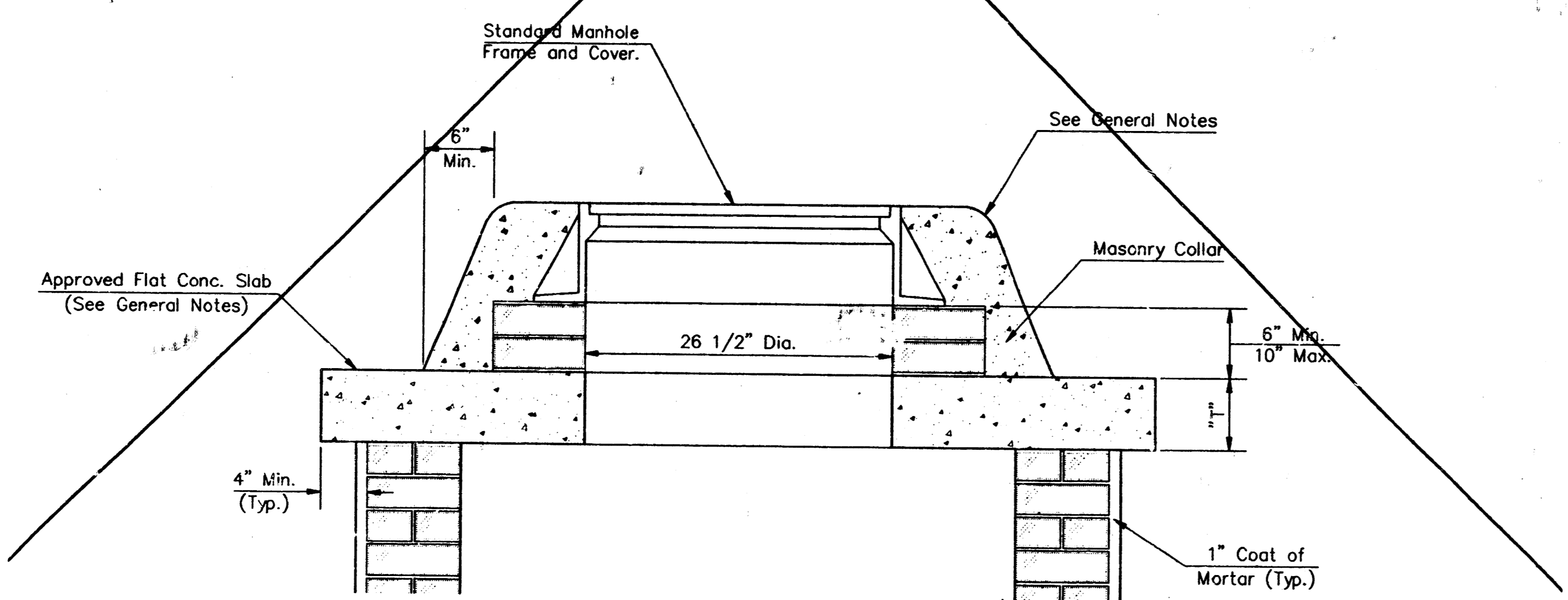
BAUGHMAN COMPANY P. A.
ENGINEERING & SURVEYING
316/262-7271 • 315 ELLIS • WICHITA, KANSAS 67211

PROJECT NUMBER		SHEET 3 OF 4
342 PPS (607861)		
DESIGN	DRAWN	UTL. CHECK'D
TCR	PM/TR	DATE
		5-18-92
SCALE		1"=40'

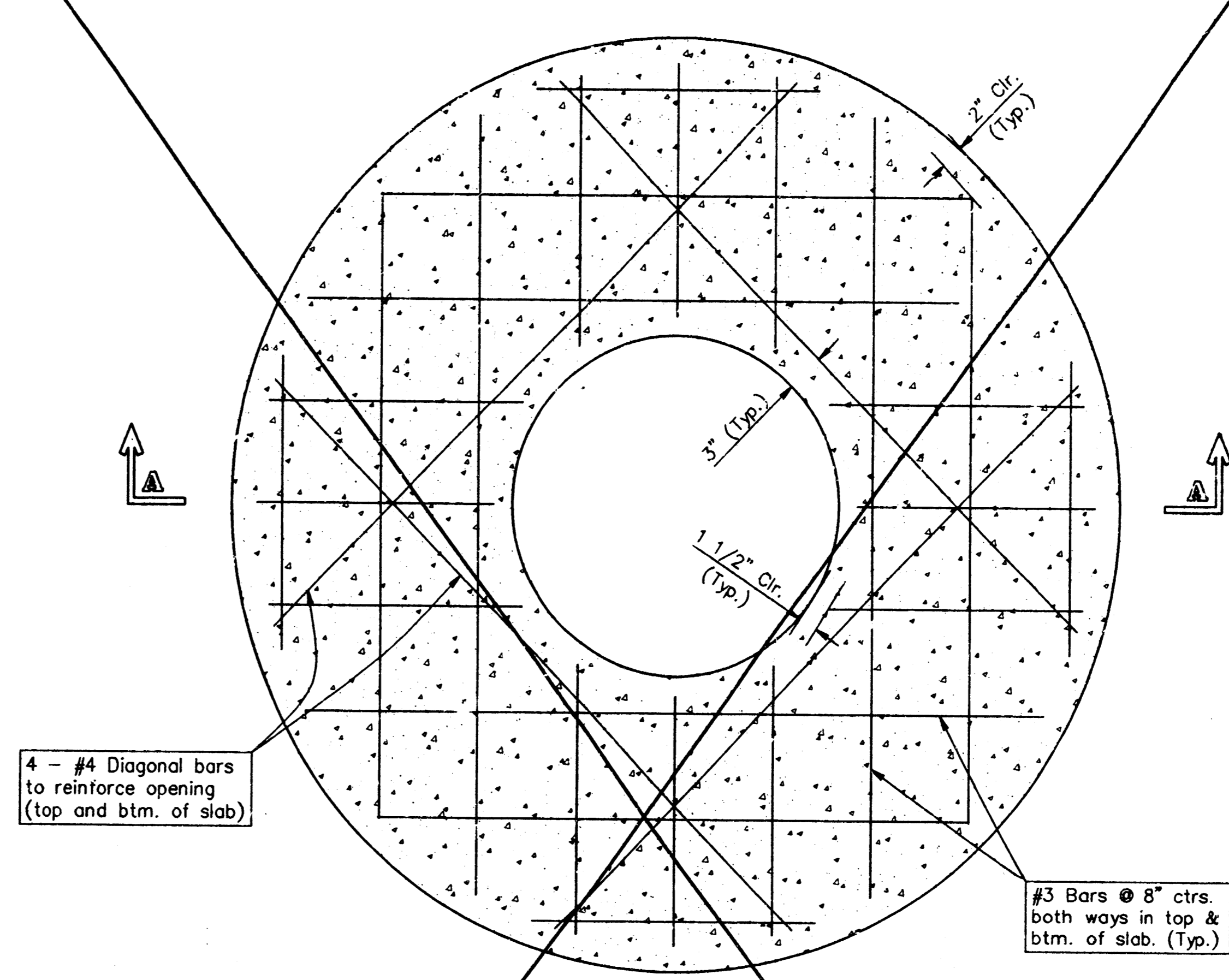


SHALLOW TYPE "A" MANHOLE

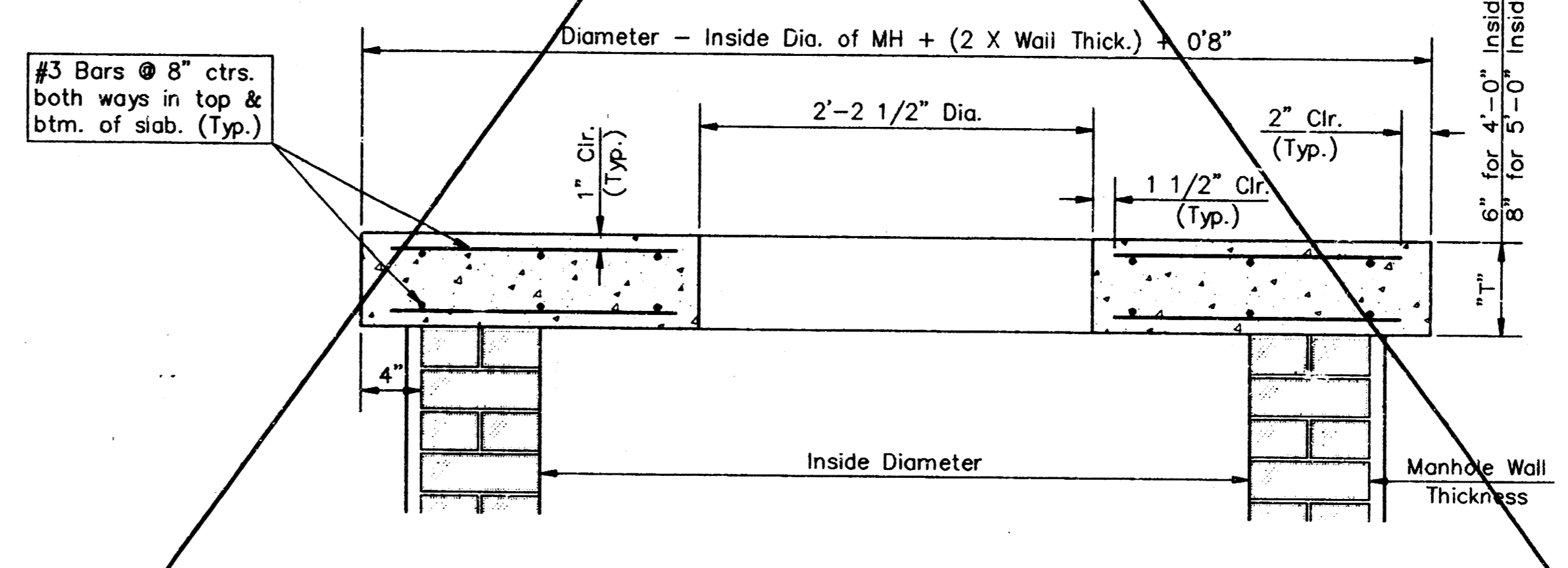
SHALLOW TYPE "B" MANHOLE



MASONRY COLLAR DETAIL



PLAN

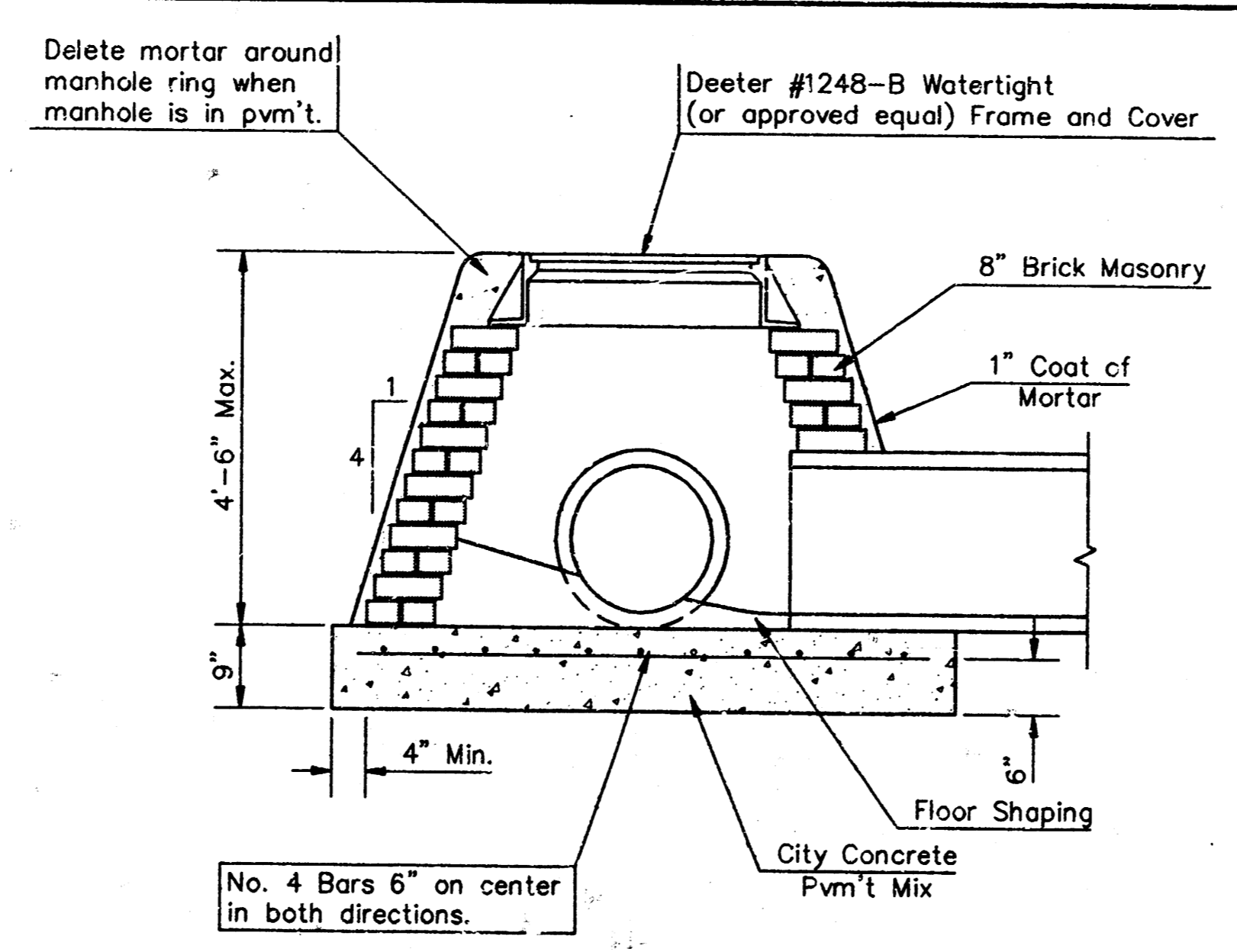


SECTION A-A

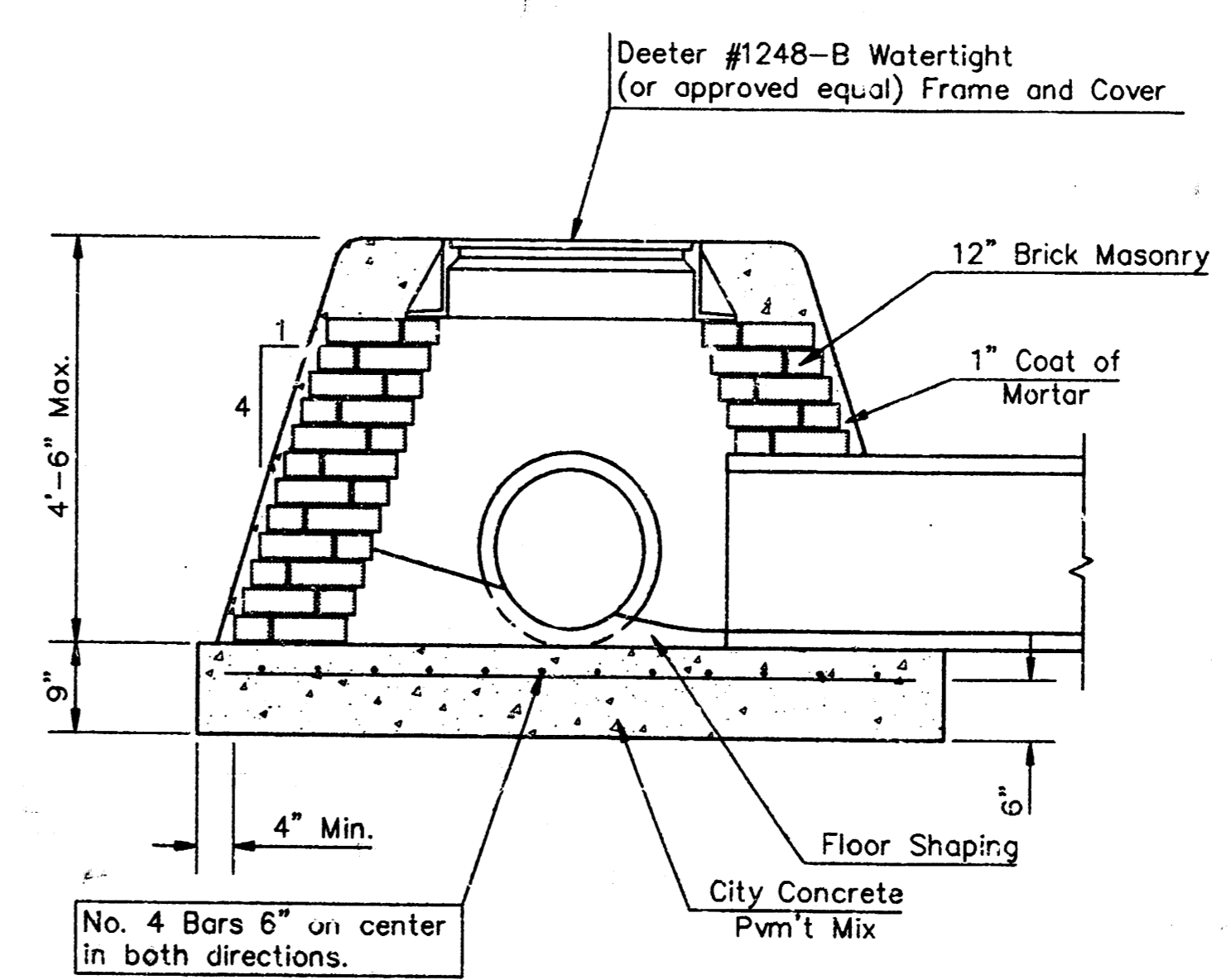
FLAT CONCRETE SLAB DETAILS

GENERAL NOTES

- Mortar used in masonry construction shall contain 8 sacks of cement per cubic yard. Concrete used in manhole bases shall conform to the requirements of concrete for concrete pavement construction as specified in the city standard paving specifications using city concrete cement mix without air entrain admixture. Mortar shall be placed around the manhole ring as shown on the drawings when manholes are constructed in unpaved areas. Type "A" shallow manholes can be used on sewers when the manhole is not located within public street pavement. Manholes constructed where pipe sizes are smaller than 24" shall have an inside diameter of 4". Manholes constructed where pipe sizes are 24" or larger shall have an inside diameter of 5". Completed manholes shall be without leaks and water tight.
- Reinforcing steel shall be installed in the manhole bases and shall consist of no. 4 bars placed on 6" centers in both directions. The manhole base reinforcement shall be placed 6" above the bottom of the manhole base. All costs for furnishing and installing reinforcing steel shall be included in the unit price bid for the manhole.
- The floors of all manholes shall be shaped with flow channels such that the manholes will be self cleaning and free of areas where solids could be deposited as sewage flows through the manhole from all inlet pipes to the outlet pipe. Flow channels shall be formed to match the bottom halves of the inflowing pipes and the outflowing pipe as shown by the drawings. Manhole floors shall have slopes of 3 inches per foot in the areas outside of the flow channels sloped toward the flow channels. Pipes laid through manholes shall have the top half removed to neat lines for the full inside diameter of the manhole. Manhole floors shall then be shaped around the bottom half of the pipe which forms the flow channel.
- Pipes installed within the excavation made for the manhole shall be cradled with concrete to the limits of the manhole excavation. When clay pipe is used, the cradle shall extend to the first joint outside the manhole. The cradle shall be terminated at the clay pipe joint in a manner which will maintain the flexibility of the joint. Cost of cradle within manhole excavation or to clay pipe joints adjacent to manhole shall be included in the unit price bid for the manhole.
- Manhole cover castings and manhole frame castings shall conform to the requirements as indicated in the standard specifications and as shown in the standard detail drawings.
- The crowns of inflowing pipes shall never be set lower than the crown of the outflowing pipe.
- Standard shallow manholes type "A" and "B" shall be paid for at the unit price bid per each for the type and diameter indicated. Standard special shallow manholes type "A" and "B" shall be paid for at the unit price bid per each for the type indicated. All standard shallow manhole diameters will be 4" unless indicated otherwise.
- All brick used in manhole construction shall meet Grade SW of ASIM C652 or C62-87.



SPECIAL SHALLOW TYPE "A" MANHOLE



SPECIAL SHALLOW TYPE "B" MANHOLE

CITY OF WICHITA, KANSAS
SPECIAL SHALLOW MANHOLE
 TYPE 'A' WATERTIGHT

PROJECT NUMBER
PPS (607861)

SHEET 4 OF 4

BAUGHMAN COMPANY P. A.
 ENGINEERING & SURVEYING
 316/262-7271 • 315 F.L.S. • WICHITA, KANSAS 67211