

SANITARY SEWER TO SERVE Woodlawn Place 2nd Addition

CITY OF WICHITA, KANSAS

Michael E. Lindebak, P.E. City Engineer

Private Project Number
993 PPS (607861)

LEGAL DESCRIPTION:

Woodlawn Place 2nd Addition, Lot 1, Block 1,
To Wichita, Sedgwick County, Kansas

BENCHMARK:

Located 24' North of centerline of hedgerow, 45.30' West
of centerline of Woodlawn and 26.5' NE of Power Pole.
COW Disc found between sidewalk and Woodlawn.
Elevation = 189.16 City Datum (1376.56' MSL)

GENERAL NOTES:

- Contractor will be required to provide notice to utility companies a minimum of forty-eight (48) hours prior to any excavation, as follows:
Kansas One-Call 687-2470
The Contractor must notify the following in case of an emergency:
MultiMedia Cablevision 262-4270
Kansas Gas Service Company 383-8600
Kansas Gas & Electric Company 383-8659
Peoples Gas Company 942-7600
Southwestern Bell Telephone Company 1-571-2611
City of Wichita Water Department 268-4908
City of Wichita Sewer Department 268-4071
- Utility service lines, poles, valve boxes, meters, et cetera are to be adjusted as necessary by others prior to construction unless the plans specifically call for their adjustment by the Contractor or unless the plans specifically identify a utility to be adjusted by its owner during construction. Existing utilities and their location, as shown on the plans represent the best information obtainable for design and shall be field verified. The contractor will be required to work around existing utilities within the right-of-way which do not conflict with proposed construction.
- All disturbed areas not intended for pavement or sidewalk construction shall be seeded with Kansas Premium Fescue Blend at a rate of 8 lb./1000 Sq. Ft.
- The Contractor shall be responsible for maintaining continuous flow of sewage through construction. Contractor's proposed method for maintaining sewage flow shall be approved by the Engineer.
- Contractor shall not start work on the project until the project inspector is assigned to the project and is present on the site. Any work done without inspection will be required to be uncovered for inspection.
- Rubble from the removal of miscellaneous structures and excess excavation which is to be wasted shall be disposed of on sites to be provided by the Contractor. These sites shall be approved by the Engineer as to suitability, appearance and site location. Locations that, in the opinion of the Engineer, will leave an unsightly appearance will not be approved. All disposal sites must be approved by the Kansas Department of Health and Environment. Material either stockpiled or disposed of in a flood plain would require a Kansas State Board of Agriculture permit. Any material dumped in waters of the United States or wetlands is subject to U.S. Corps. of Engineers permitting regulations. Any material buried or stockpiled beyond approved construction limits would require additional archaeological investigations unless buried in a previously approved borrow location.

INDEX:

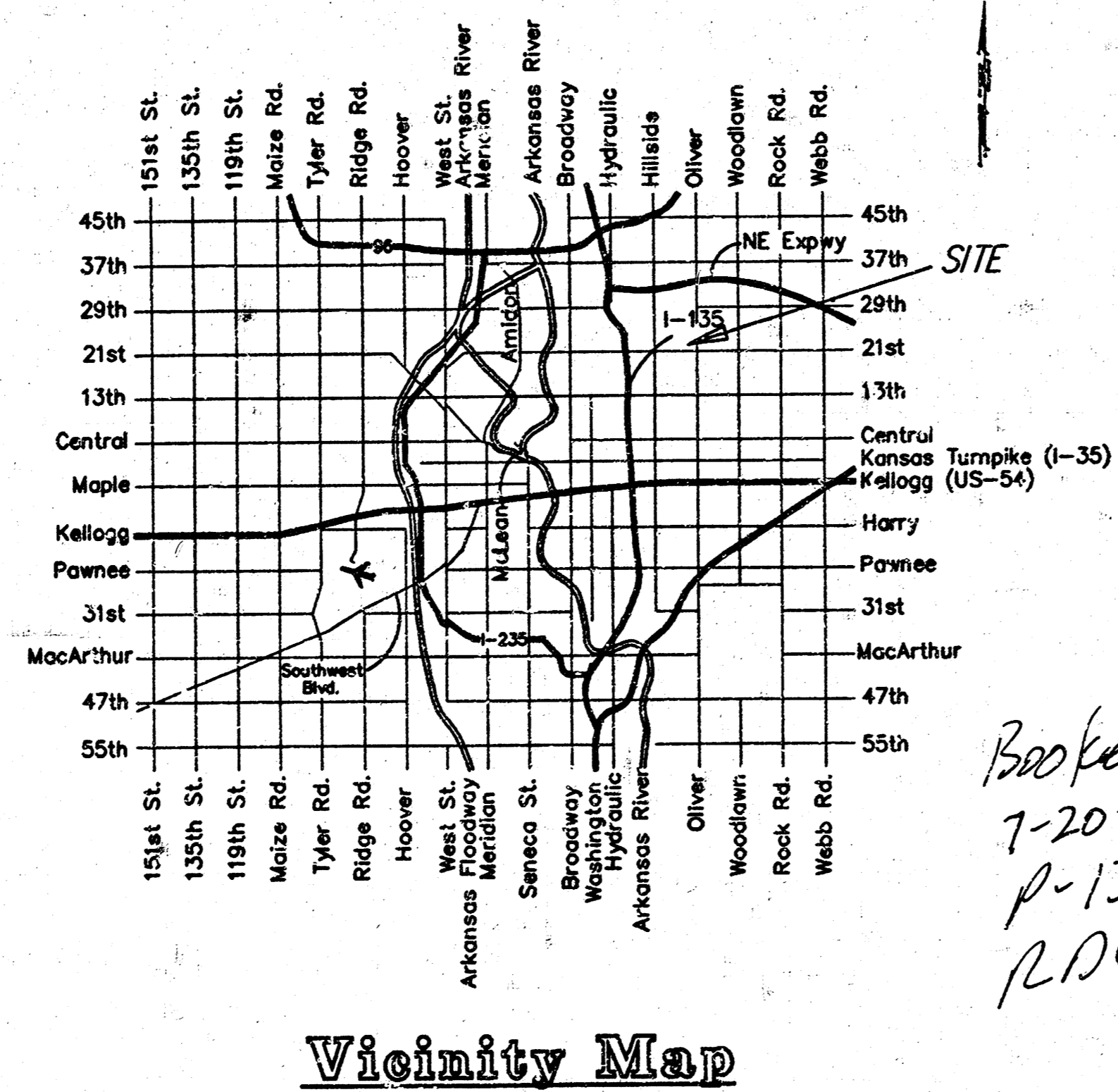
Plan/Profile Sheet	1
Manhole Detail	2
Copy Of Plot	3

**APPROVED AS NOTED
BY CITY ENGINEER OF WICHITA**

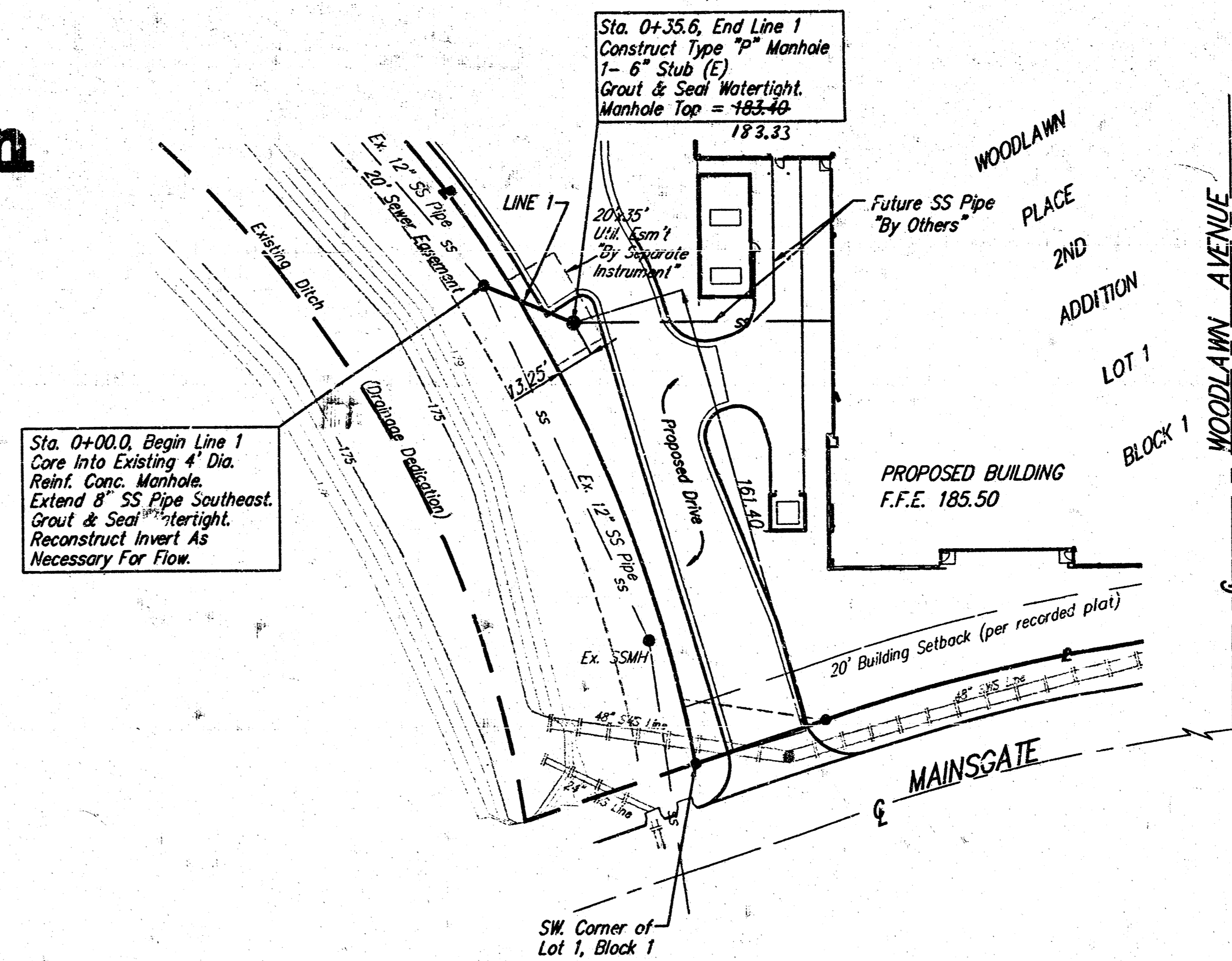
Sanitary Sewer VRH 3/31/00

NOTE TO CONTRACTORS

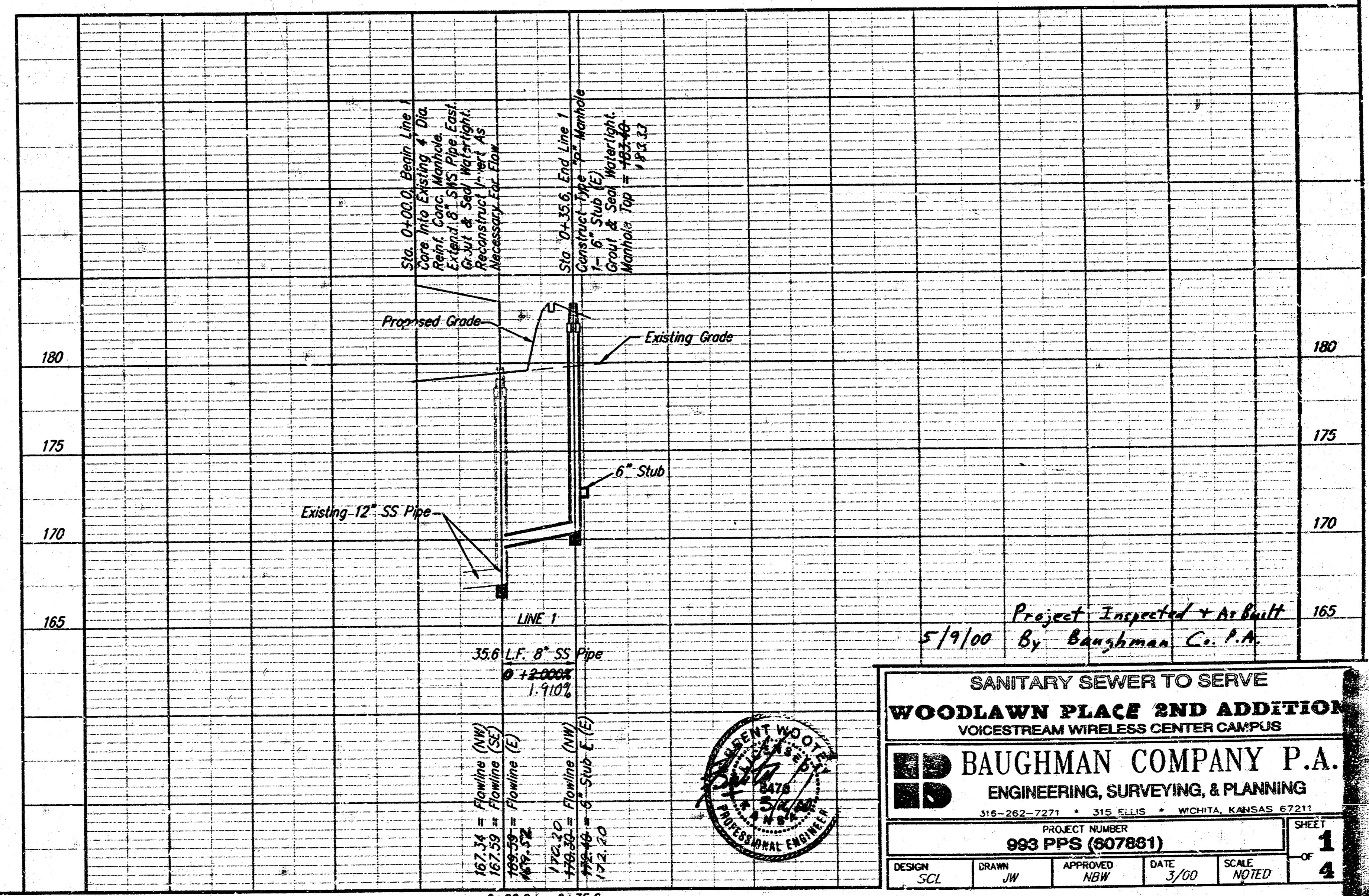
Inspection and testing for this project is to be provided by a Licensed Consulting Engineering Firm under contract with the Owner/Developer. Said inspection to be in accordance with the City of Wichita standard construction engineering practices and certified by a Licensed Professional Engineer. No work shall be performed in dedicated easements or public right-of-way by the Contractor without such inspection nor shall any work be commenced without written authorization by the City Engineer. All Construction and Materials shall comply with the City of Wichita Specifications and Standards (on file and available in the City Engineer's Office).



*Booked
7-20-00
P-135
RDL*



SCALE:
1" = 40' HORIZONTAL
1" = 5' VERTICAL
● = Iron



Project Inspected & As Built
5/9/00 By Baughman Co. P.A.

**SANITARY SEWER TO SERVE
WOODLAWN PLACE 2ND ADDITION
VOICESTREAM WIRELESS CENTER CAMPUS**

BAUGHMAN COMPANY P.A.
ENGINEERING, SURVEYING, & PLANNING
316-262-7271 • 315 ELLIS • WICHITA, KANSAS 67211

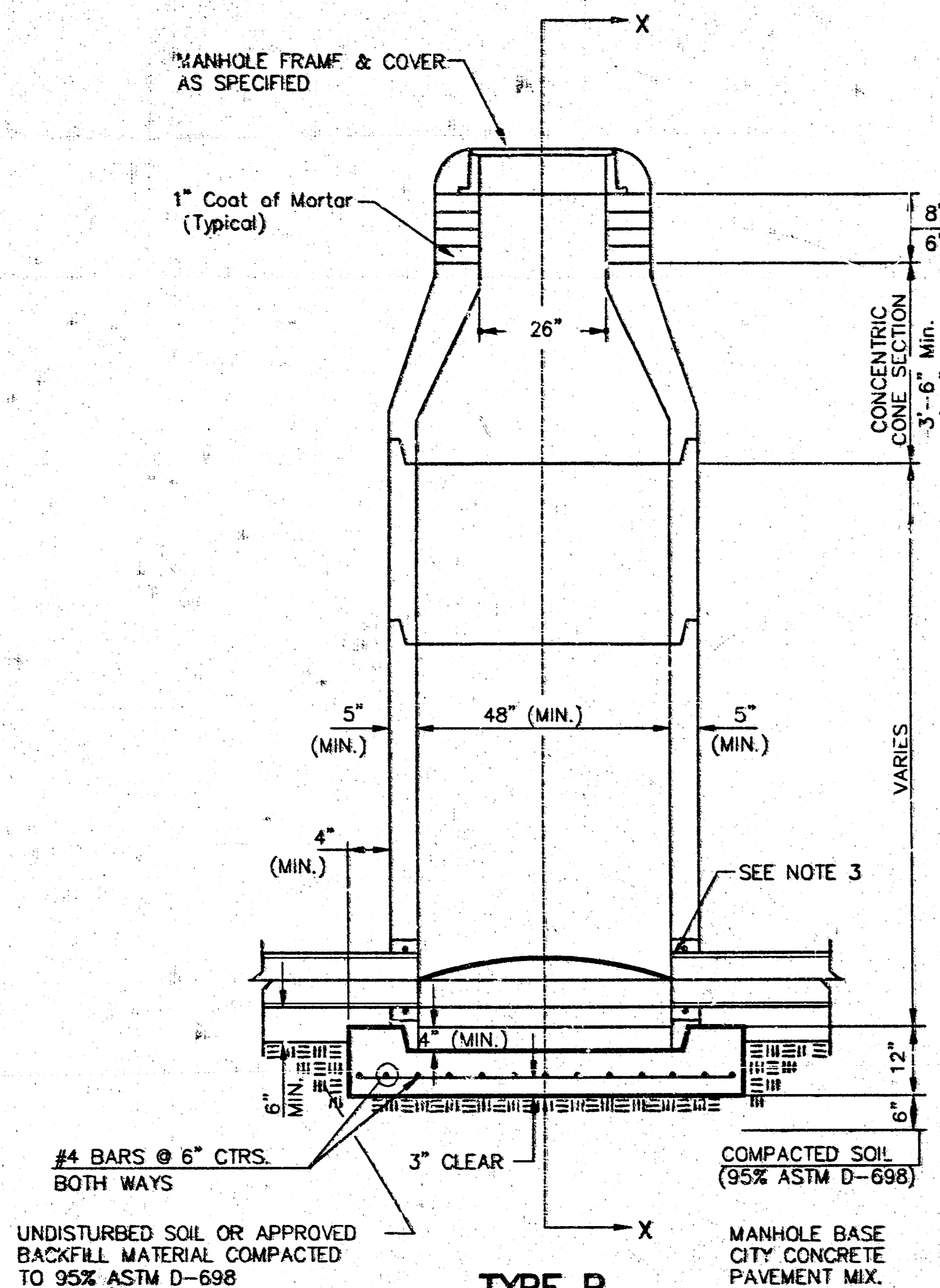
993 PPS (607861)

DESIGN	DRAWN	APPROVED	DATE	SCALE
SCL	JW	NGW	3/00	NOTED

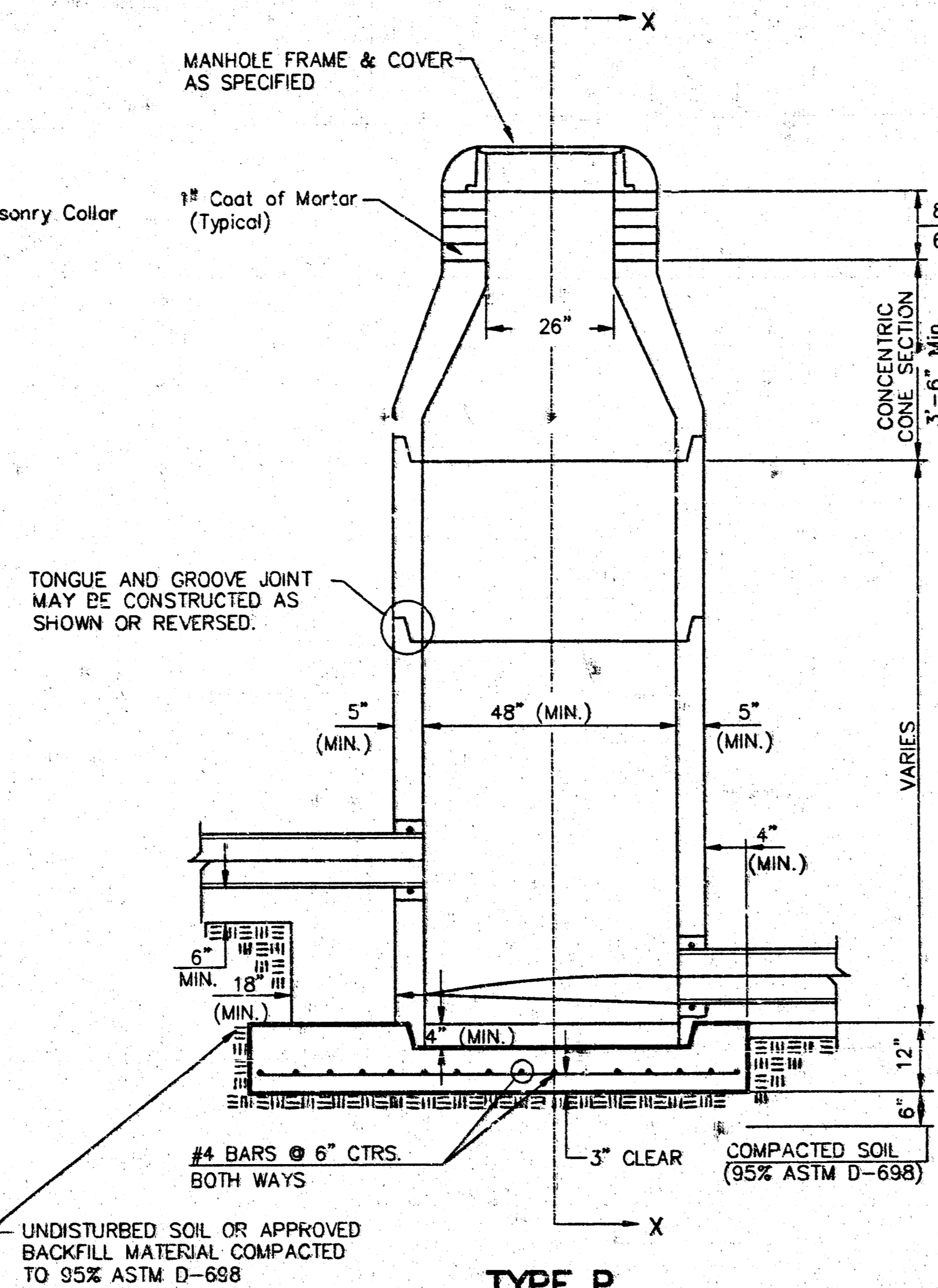
SHEET **1** OF **4**

10-08-02-00

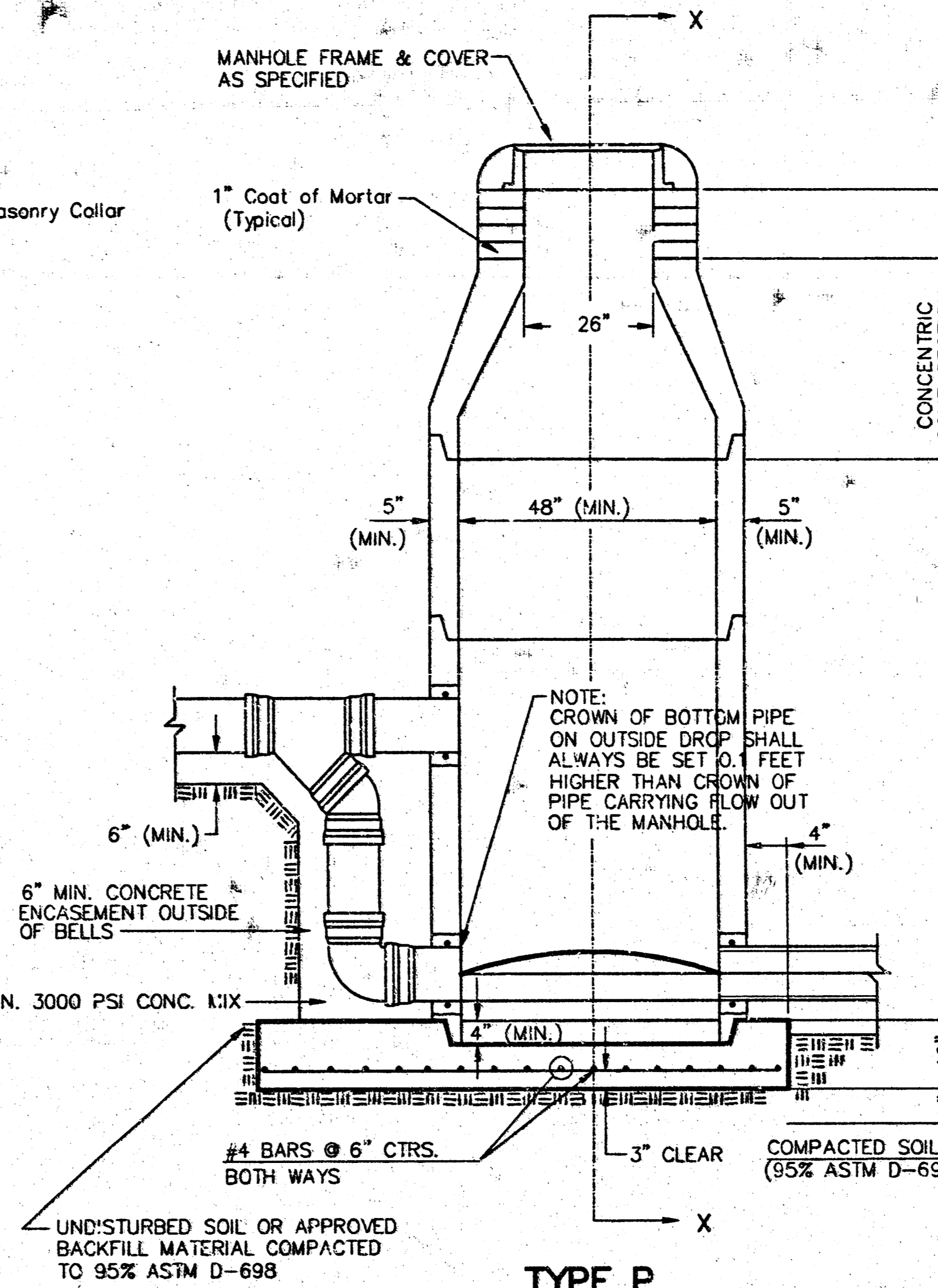
SEWER APPURTENANCES DETAILS



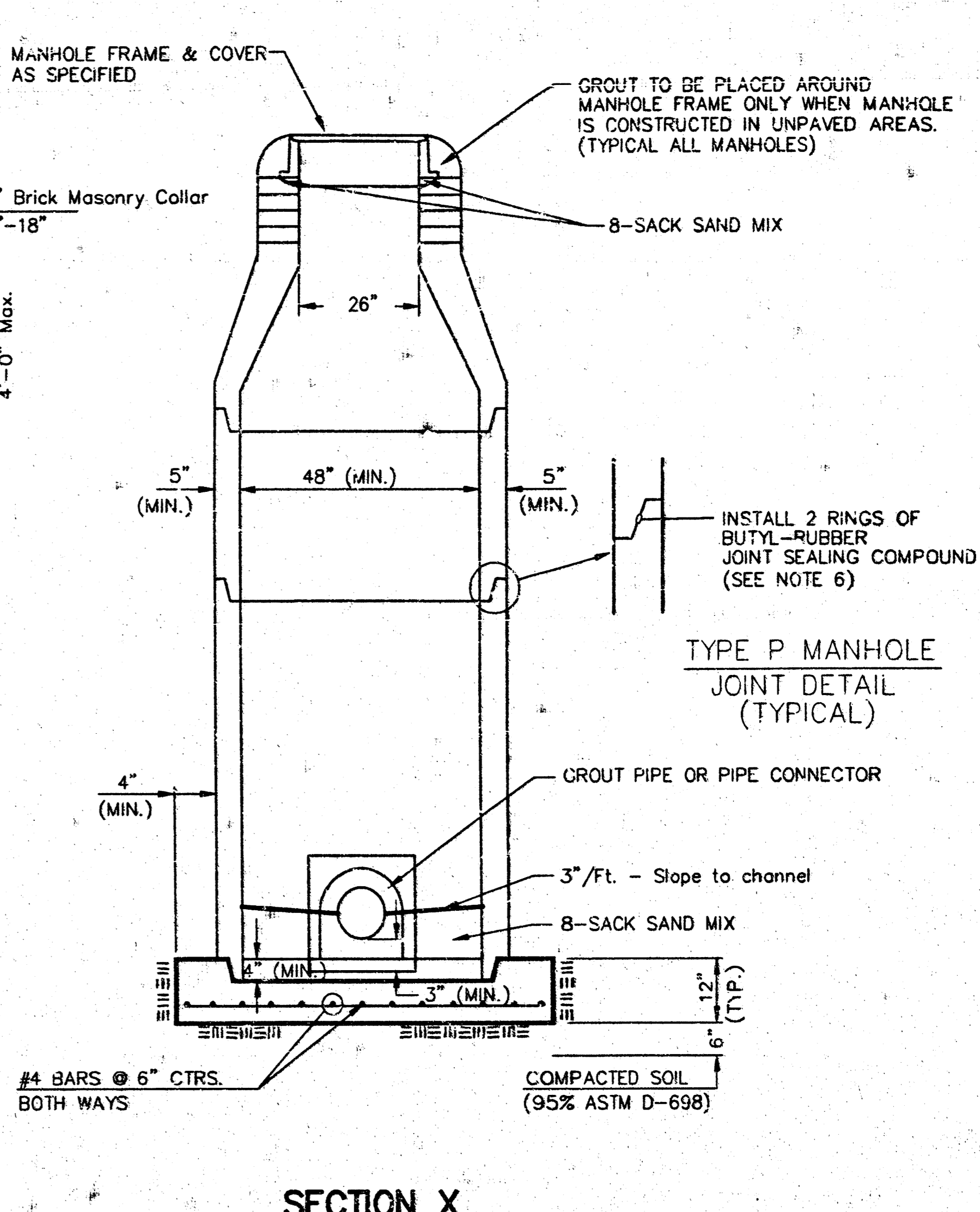
TYPE P STANDARD MANHOLE



TYPE P INSIDE DROP MANHOLE



TYPE P OUTSIDE DROP MANHOLE



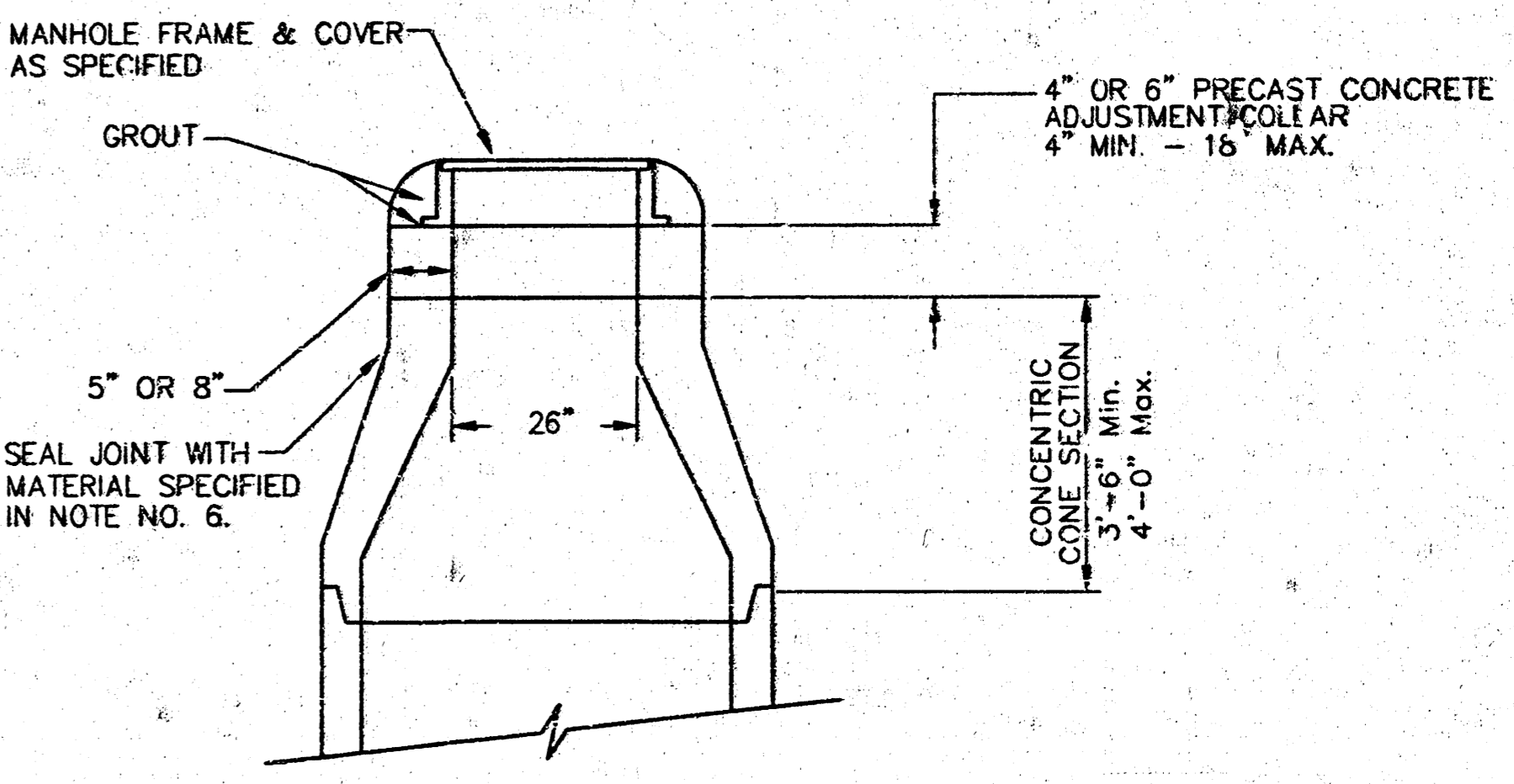
SECTION X (TYPICAL)

GENERAL NOTES
PRECAST MANHOLE NOTES

1. ALL PRECAST CONCRETE MANHOLE SECTIONS SHALL CONFORM TO THE LATEST REVISIONS OF A.S.T.M. C478 AS MODIFIED BY THE SPECIFICATIONS.
2. NON-SHRINK GROUT SHALL BE NON-METALLIC TYPE.
3. APPROVED FLEXIBLE WATERSTOP GASKETS SHALL BE INSTALLED TO JOIN THE SEWER TO THE MANHOLE WALL WHEN A.B.S. COMPOSITE PIPE OR P.V.C. PIPE IS USED. FOR OTHER TYPES OF PIPE THE SEWER SHALL BE GROUTED IN PLACE WITH NON-SHRINK GROUT. THE SEWER PIPE SHALL BE SUPPORTED WITH CONCRETE ENCASEMENT A MINIMUM OF 3 FEET FROM THE MANHOLE WALL AND TO THE FIRST JOINT FOR V.C.P. SUCH THAT THE JOINT REMAINS FLEXIBLE.
4. ALL INSIDE SURFACES OF THE CONCRETE MANHOLE WHICH WOULD BE EXPOSED TO SEWER GAS SHALL BE COATED WITH 2 COATS INMEC SERIES 66 H-BUILD EPOXYLINE, DRY THICKNESS OF 8 MILS (MIN.).
5. EXTERIOR MANHOLE WALLS SHALL BE COATED WITH 1 COAT MOBILARMA 633 BITUMINOUS COATING.
6. JOINT SEALING COMPOUND SHALL BE KENT SEAL NO. 2 OR APPROVED EQUAL.
7. PRECAST MANHOLES SHALL BE SET AT LEAST 4 INCHES INTO THE MANHOLE BASE.
8. TOP OF MANHOLE FLOOR SLAB SHALL BE AT LEAST 3 INCHES BELOW THE FLOW LINE OF THE OUTLET PIPE TO INSURE SUFFICIENT MINIMUM THICKNESS OF SHAPED INVERT.
9. LIFTING HOLES SHALL BE FILLED WITH NON-SHRINK GROUT AND THE INTERIOR SURFACE COATED AS SPECIFIED.
10. MORTAR USED IN MASONRY CONSTRUCTION SHALL CONTAIN 8 SACKS OF CEMENT PER CUBIC YARD. CONCRETE USED IN MANHOLE BASES SHALL CONFORM TO THE REQUIREMENTS OF CONCRETE FOR CONCRETE PAVEMENT CONSTRUCTION AS SPECIFIED IN THE CITY STANDARD PAVING SPECIFICATIONS USING CITY CONCRETE PAVEMENT MIX WITHOUT AIR ENTRAINING ADMIXTURE. MORTAR SHALL BE PLACED AROUND THE MANHOLE RING AS SHOWN ON THE DRAWINGS WHEN MANHOLES ARE CONSTRUCTED IN UNPAVED AREAS. MANHOLES CONSTRUCTED WHERE PIPE SIZES ARE SMALLER THAN 24" SHALL HAVE AN INSIDE DIAMETER OF 4". MANHOLES CONSTRUCTED WHERE PIPE SIZES ARE 24" OR LARGER SHALL HAVE AN INSIDE DIAMETER OF 5". COMPLETED MANHOLE SHALL BE WITHOUT LEAKS AND WATER TIGHT.

11. REINFORCING STEEL SHALL BE INSTALLED IN THE MANHOLE BASES AND SHALL CONSIST OF NO. 4 BARS PLACED ON 6" CENTERS IN BOTH DIRECTIONS. THE MANHOLE BASE REINFORCEMENT SHALL BE PLACED AT LEAST 3" ABOVE THE BOTTOM OF THE MANHOLE BASE. ALL COSTS FOR FURNISHING AND INSTALLING REINFORCING STEEL SHALL BE INCLUDED IN THE UNIT PRICE BID FOR THE MANHOLE.
12. OPENINGS SHALL BE CUT INTO THE MANHOLE WALL WHEN OUTSIDE DROPS ARE CONSTRUCTED ON EXISTING MANHOLES. SUCH OPENINGS CUT INTO EXISTING MANHOLES SHALL BE AS SMALL AS PRACTICAL TO FACILITATE INSTALLING AND GROUTING THE NEW PIPE IN PLACE. WATERSTOP GASKETS SHALL BE USED WITH P.V.C. AND A.B.S. COMPOSITE PIPE. THE NEW PIPE SHALL BE GROUTED INTO THE OPENING USING AN APPROVED NON-SHRINK GROUT FOR THE FULL MANHOLE WALL THICKNESS. THE EXTERIOR OF THE COMPLETED CONNECTION SHALL BE SEALED WITH AN APPROVED BITUMINOUS COATING SUCH THAT THE CONNECTION WILL BE WATER TIGHT. FLOOR OF MANHOLE SHALL BE MODIFIED TO FORM NEW FLOW CHANNEL FOR THE NEW CONNECTOR, AS INDICATED BY THE DRAWING. THIS WORK, INCLUDING MODIFICATION OF MANHOLE FLOOR, SHALL BE PAID FOR AT THE UNIT PRICE BID FOR OUTSIDE DROP STACK CONSTRUCTED ON EXISTING MANHOLE.
13. THE FLOORS OF ALL MANHOLES SHALL BE SHAPED WITH FLOW CHANNELS SUCH THAT THE MANHOLES WILL BE SELF-CLEANING AND FREE OF AREAS WHERE SOLIDS COULD BE DEPOSITED AS SEWAGE FLOWS THROUGH THE MANHOLE FROM ALL INLET PIPES TO THE OUTLET PIPE. FLOW CHANNELS SHALL BE FORMED TO MATCH THE BOTTOM HALVES OF THE INFLOWING PIPES AND THE OUTFLOWING PIPE AS SHOWN BY THE DRAWINGS EXCEPT FOR INSIDE DROP MANHOLES. FLOW CHANNELS FOR INSIDE DROP MANHOLES SHALL BE CONSTRUCTED AS INDICATED BY THE DRAWING. MANHOLE FLOORS SHALL HAVE SLOPES OF 3 INCHES PER FOOT IN THE AREAS OUTSIDE OF THE FLOW CHANNELS SLOPED TOWARD THE FLOW CHANNELS. PIPES LAID THROUGH MANHOLES SHALL HAVE THE TOP HALF REMOVED TO NEAT LINES FOR THE FULL INSIDE DIAMETER OF THE MANHOLE. MANHOLE FLOORS SHALL THEN BE SHAPED AROUND THE BOTTOM HALF OF THE PIPE WHICH FORMS THE FLOW CHANNEL.
14. PIPES INSTALLED WITHIN THE EXCAVATION MADE FOR THE MANHOLE SHALL BE CRADLED WITH CONCRETE TO THE LIMITS OF THE MANHOLE EXCAVATION. WHEN CLAY PIPE IS USED, THE CRADLE SHALL EXTEND TO THE FIRST JOINT OUTSIDE THE MANHOLE. THE CRADLE SHALL BE TERMINATED AT THE CLAY PIPE JOINT IN A MANNER WHICH WILL MAINTAIN THE FLEXIBILITY OF THE JOINT. COST OF CRADLE WITHIN MANHOLE EXCAVATION OR TO CLAY PIPE JOINTS ADJACENT TO MANHOLE SHALL BE INCLUDED IN THE UNIT PRICE BID FOR THE MANHOLE.

15. MANHOLE COVER CASTINGS AND MANHOLE FRAME CASTINGS SHALL CONFORM TO THE REQUIREMENTS AS INDICATED IN THE STANDARD SPECIFICATIONS AND AS SHOWN IN THE STANDARD DETAIL DRAWINGS.
16. THE VERTICAL DROP IN INSIDE DROP MANHOLES SHALL NOT EXCEED 2' FOR INFLOWING PIPES SIZED 12" OR SMALLER AND 2' FOR INFLOWING PIPES LARGER THAN 12". THE CROWNS OF INFLOWING PIPES SHALL NEVER BE SET LOWER THAN THE CROWN OF THE OUTFLOWING PIPE.
17. STANDARD MANHOLES AND STANDARD INSIDE DROP MANHOLES SHALL BE BID AS STANDARD MANHOLES FOR THE TYPE AND DIAMETER INDICATED. OUTSIDE DROP MANHOLES SHALL BE BID AS STANDARD OUTSIDE DROP MANHOLES FOR THE TYPE AND DIAMETER INDICATED. ALL MANHOLE DIAMETERS WILL BE 4" UNLESS INDICATED OTHERWISE.
18. A BRICK MASONRY COLLAR SHALL BE INSTALLED BETWEEN THE CAST IRON FRAME AND THE CONCENTRIC CONE. THE COLLAR WILL HAVE 8" WALLS AND A VERTICAL HEIGHT OF 6" MINIMUM AND 18" MAXIMUM. A 1" COAT OF MORTAR WILL BE PLASTERED ON THE OUTSIDE OF THE COLLAR. THE USE OF PRE-CAST CONCRETE SPACERS FOR MANHOLE TOP ADJUSTMENT IS ALSO ALLOWED.



ALTERNATE CONSTRUCTION IN UNPAVED AREAS

CITY OF WICHITA
STD. MANHOLE DETAILS
SEWER APPURTENANCES

BAUGHMAN COMPANY P.A.
ENGINEERING, SURVEYING, & PLANNING

316-262-7271 • 315 ELLIS • WICHITA, KANSAS 67211

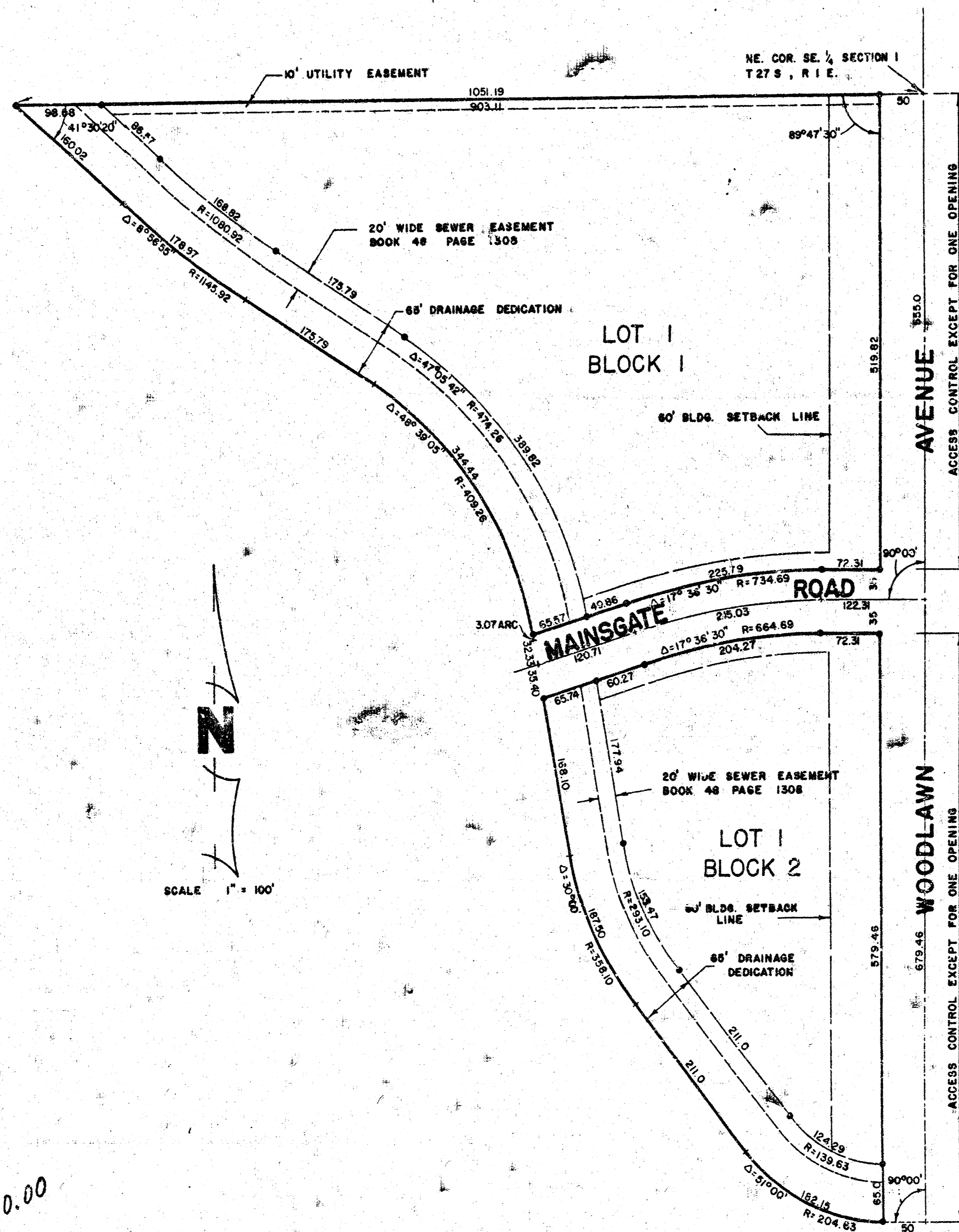
PROJECT NUMBER
993 PPS (807861)

DESIGN STAFF	DRAWN STAFF	APPROVED	DATE	SCALE	SHEET
				NONE	2 OF 4

Woodlawn Place 2nd Addition

TO WICHITA SEDGWICK COUNTY KANSAS

ENGINEER: REISS AND GOODNESS ENGINEERS
2160 E. DOUGLAS WICHITA - KANSAS



STATE OF KANSAS)
COUNTY OF SEDGWICK) ss.

I, CHARLES M. GOODNESS, a duly licensed PROFESSIONAL ENGINEER IN THE SAID COUNTY AND STATE, DO HEREBY CERTIFY THAT I HAVE SURVEYED AND DESCRIBED AS FOLLOWS: BEGINNING AT THE N.E. COR. SE. 1/4 SECTION 1, T. 27 S., R. 1 E. OF THE 6th P.M., SEDGWICK COUNTY, KANSAS; THENCE SOUTH 1234.46 FEET TO A POINT OF TANGENCY; THENCE WEST PERPENDICULAR TO THE EAST LINE OF SAID SOUTH EAST QUARTER CURVE; THENCE ON A CURVE TO THE RIGHT HAVING A DELTA ANGLE OF 31°00' AND A RADIUS OF 204.63 FEET TO A POINT OF TANGENCY; THENCE CONTINUING ON SAID TANGENT A DISTANCE OF 211.0 FEET TO A POINT OF CURVE; THENCE ON A CURVE TO THE RIGHT HAVING A DELTA ANGLE OF 30°00' AND A RADIUS OF 558.10 FEET AN ARC DISTANCE OF 187.50 FEET TO A POINT OF TANGENCY; THENCE CONTINUING ON SAID TANGENT A DISTANCE OF 235.83 FEET TO A POINT OF CURVE; THENCE ON A CURVE TO THE LEFT HAVING A DELTA ANGLE OF 48°39'03" AND A RADIUS OF 409.26 FEET AN ARC DISTANCE OF 347.31 FEET TO A POINT OF TANGENCY; THENCE CONTINUING ON SAID TANGENT A DISTANCE OF 175.79 FEET TO A POINT OF CURVE; THENCE ON A CURVE TO THE RIGHT HAVING A DELTA ANGLE OF 17°36'30" AND A RADIUS OF 699.69 FEET AN ARC DISTANCE OF 215.03 FEET TO A POINT OF TANGENCY; THENCE ON A CURVE TO THE LEFT HAVING A DELTA ANGLE OF 17°36'30" AND A RADIUS OF 699.69 FEET AN ARC DISTANCE OF 215.03 FEET TO A POINT OF TANGENCY; THENCE CONTINUING ON SAID TANGENT A DISTANCE OF 120.71 FEET; BOTH SIDES OF SAID STREET RIGHT OF WAY EXTENDING TO THEIR INTERSECTION WITH THE WESTERLY LINE OF THE ABOVE DESCRIBED PROPERTY. THE TOTAL AREA OF THE ABOVE DESCRIBED PROPERTY BEING 13.9 ACRES MORE OR LESS. THE ACCOMPANYING PLAT IS A TRUE AND CORRECT EXHIBIT OF THE PROPERTY SURVEYED.

Charles M. Goodness
Charles M. Goodness, P.E.

KNOW ALL MEN BY THESE PRESENTS: THAT WE, FIDELITY DEVELOPMENT, INC., A CORPORATION, BY ITS PRESIDENT, H. MARVIN BASTIAN AND SECRETARY, H. N. McCLURE, HAVE CAUSED THE LAND DESCRIBED IN THE ENGINEER'S CERTIFICATE TO BE PLATTED INTO BLOCKS, LOTS AND A STREET. EASEMENTS ARE HEREBY GRANTED AS INDICATED FOR UTILITY AND DRAINAGE CONSTRUCTION AND MAINTENANCE. THE 65' WIDE DRAINAGE DEDICATION IS HEREBY DEDICATED FOR CONSTRUCTION, OPERATION, MAINTENANCE AND REPAIRING SUCH DRAINAGE SYSTEM. THE STREETS ARE HEREBY DEDICATED TO AND FOR THE USE OF THE PUBLIC. ALL ADJUTER'S RIGHTS OF ACCESS TO OR FROM WOODLAWN AVENUE OVER AND ACROSS THE EAST LINE OF LOT 1, BLOCK 1 OR THE EAST LINE OF LOT 1, BLOCK 2 ARE HEREBY GRANTED TO THE APPROPRIATE GOVERNING BODY EXCEPT THAT LOT 1, BLOCK 1 AND LOT 1, BLOCK 2 SHALL EACH HAVE ONE OPENING TO WOODLAWN AS SHALL BE DETERMINED BY THE CITY ENGINEER OF THE CITY OF WICHITA.

FIDELITY DEVELOPMENT, INC.
H. Marvin Bastian PRESIDENT
H. Marvin Bastian
H. N. McClure SECRETARY
H. N. McClure (SEAL)

STATE OF KANSAS)
COUNTY OF SEDGWICK) ss.

BE IT REMEMBERED THAT ON THIS 18th DAY OF OCTOBER, 1975, BEFORE ME, A NOTARY PUBLIC IN AND FOR SAID COUNTY AND STATE, CAME FIDELITY DEVELOPMENT, INC., A CORPORATION, BY ITS PRESIDENT, H. MARVIN BASTIAN AND SECRETARY, H. N. McCLURE TO ME KNOWN TO BE THE SAME PERSONS WHO EXECUTED THE FOREGOING INSTRUMENT OF WRITING AND DULY ACKNOWLEDGED THE SAME AS THEIR VOLUNTARY ACT AND DEED. IN TESTIMONY WHEREOF I HAVE HERETO SET MY HAND AND AFFIXED MY NOTARIAL SEAL THE DAY AND YEAR ABOVE WRITTEN.

MY COMMISSION EXPIRES October 17, 1977.
Shirley R. Vard NOTARY PUBLIC
SHIRLEY R. VARD (SEAL)

THIS PLAT OF WOODLAWN PLACE 2ND ADDITION TO WICHITA, SEDGWICK COUNTY, KANSAS HAS BEEN SUBMITTED TO AND APPROVED BY THE WICHITA SEDGWICK COUNTY METROPOLITAN AREA PLANNING COMMISSION, WICHITA, KANSAS.

WICHITA-SEGWICK COUNTY METROPOLITAN AREA PLANNING COMMISSION
Donald Bayant CHAIRMAN
Donald Bayant
Robert A. Lakin SECRETARY
Robert A. Lakin (SEAL)

THIS PLAT APPROVED AND THE DEDICATIONS SHOWN HEREON ACCEPTED BY THE CITY COMMISSIONERS OF THE CITY OF WICHITA, KANSAS THIS 9 DAY OF DEC, 1975

Charles A. Peters CHAIRMAN
Charles A. Peters
Donald C. Glisick CITY CLERK
Donald C. Glisick (SEAL)

THIS PLAT APPROVED AND THE DEDICATIONS SHOWN HEREON ACCEPTED BY THE BOARD OF COUNTY COMMISSIONERS OF SEDGWICK COUNTY, KANSAS THIS 23rd DAY OF DECEMBER, 1975

Earl E. Rusk CHAIRMAN
Earl E. Rusk
John H. Hale COMMISSIONER
John H. Hale
Tom Scott COMMISSIONER
Tom Scott
George P. Price COUNTY CLERK
George P. Price (SEAL)

Entered on Transfer Record this 23rd day of December, 1975

STATE OF KANSAS)
COUNTY OF SEDGWICK) ss.

THIS IS TO CERTIFY THAT THIS INSTRUMENT WAS FILED FOR RECORD IN THE REGISTER OF DEEDS OFFICE AT 9:30 A.M. --P.M. ON THE 23rd DAY OF DECEMBER, 1975

Bette F. McCart REGISTER OF DEEDS
Bette F. McCart
Pat Kettler DEPUTY
PAT KETTLER