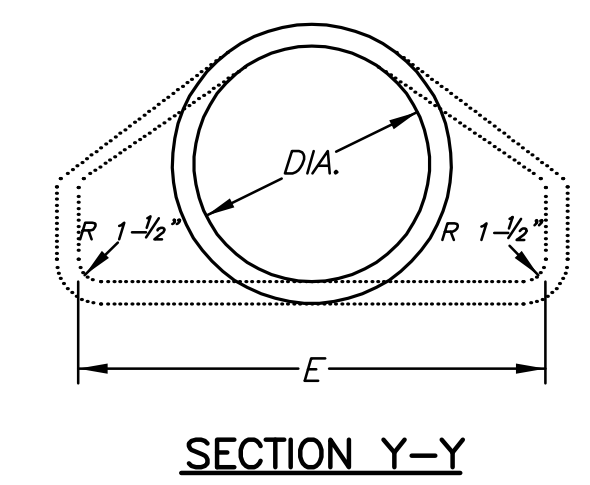
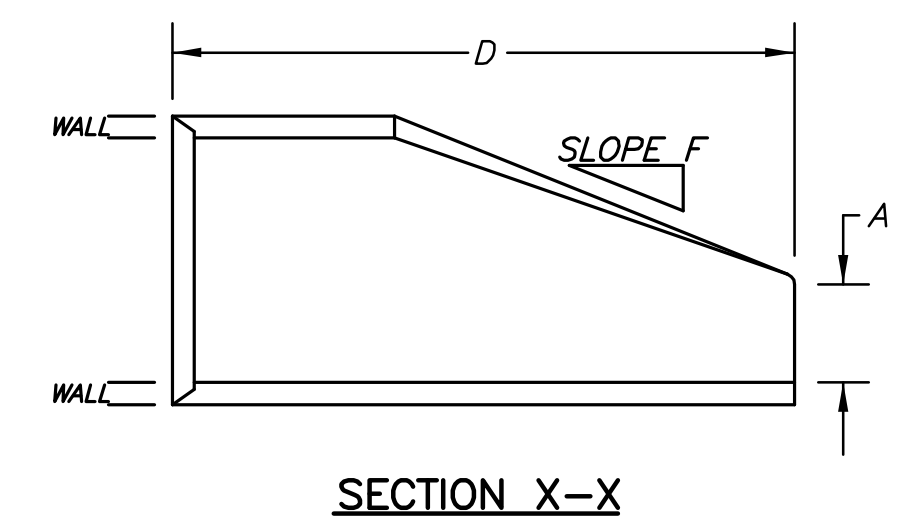
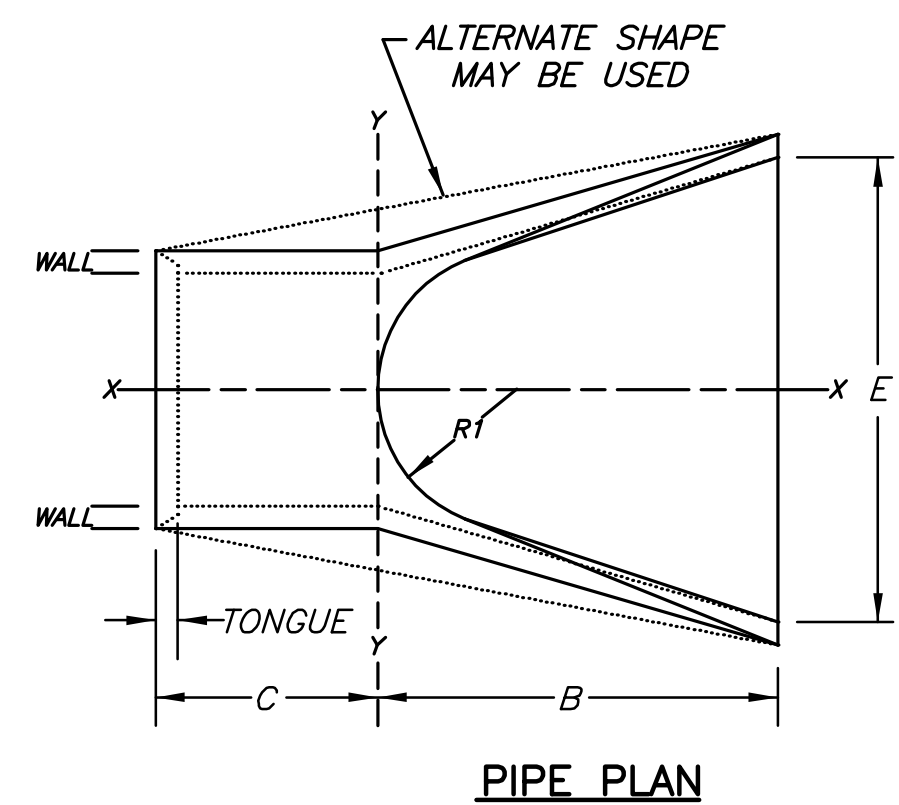
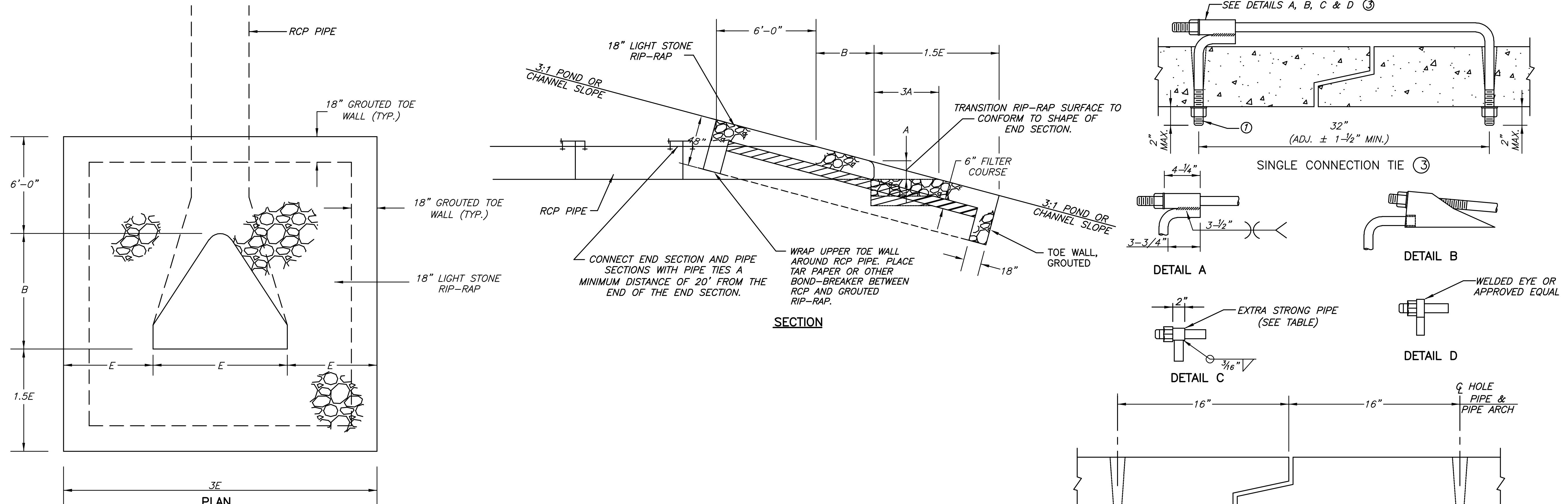
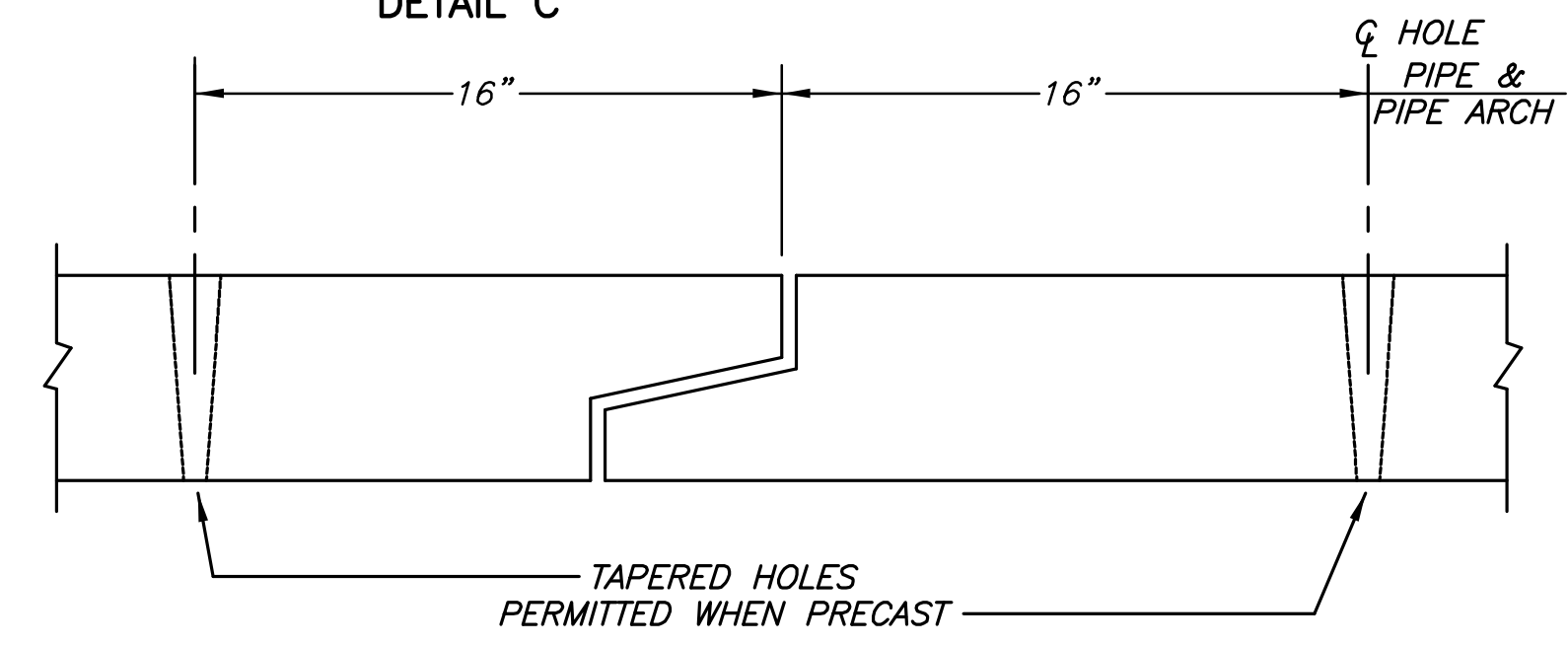
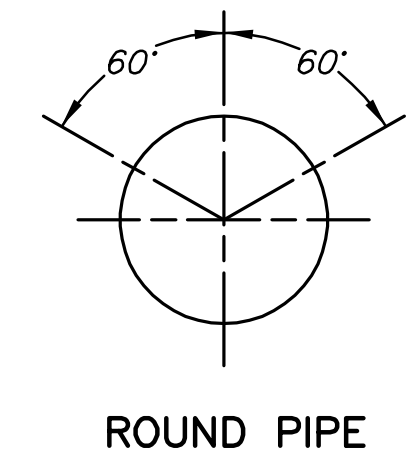
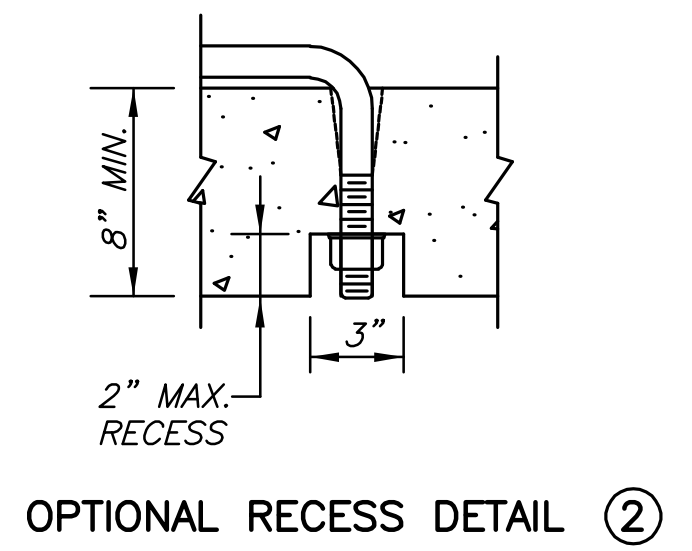


PROJECT TYPE
PAVING AND INCIDENTAL DRAINAGE PLANS
POWER C.D.C. 3RD ADDITION
PHASE



DIAM.	A	B	C	D	E	F	R1	TONGUE	WALL
12"	4"	2' 0"	4' 0-7/8"	6' 0-7/8"	2' 0"	3:1	9"	1-1/2"	2"
15"	6"	2' 3"	3' 10"	6' 1"	2' 6"	3:1	11"	2"	2 1/4"
18"	9"	2' 3"	3' 10"	6' 1"	3' 0"	3:1	12"	2-1/2"	2 1/2"
24"	9-1/2"	3' 7-1/2"	2' 6"	6' 1-1/2"	4' 0"	3:1	14"	2-1/2"	3"
30"	1' 0"	4' 6"	1' 7-3/4"	6' 1-3/4"	5' 0"	3:1	15"	3"	3-1/2"
36"	1' 3"	5' 3"	1' 10-3/4"	8' 1-3/4"	6' 0"	3:1	20"	3-1/2"	4"
42"	1' 9"	5' 3"	2'-11"	8' 2"	6' 6"	3:1	22"	3-3/4"	4-1/2"
48"	2' 0"	6' 0"	2' 2"	8' 2"	7' 0"	3:1	22"	4-1/4"	5"
54"	2' 3"	5' 5"	2' 11"	8' 4"	7' 6"	3:1	24"	4-3/4"	5-1/2"
60"	2' 6"	5' 0"	3' 3"	8' 3"	8' 0"	2.4:1	24"	5"	6"
66"	2' 0"	6' 6"	1' 9"	8' 3"	8' 6"	2:1	24"	5-1/2"	7"
72"	2' 0"	6' 6"	1' 9"	8' 3"	9' 0"	2:1	24"	6"	7-1/2"

TONGUE LENGTHS BASED ON QUINN STANDARD



HOLES SHALL BE CAST OR DRILLED 16" FROM CENTERLINE OF JOINTS FOR BOX CULVERTS, AS SHOWN ABOVE, UNLESS FORMS ARE SET UP FOR 16" SPACING FROM OUTSIDE OF JOINT.

PIPE SIZE (INCHES)	ROD THREAD DIA.	ROD THREAD DIA.	EXTRA STRONG PIPE INSIDE DIA.
12 - 27	5/8"	5/8"	3/4"
30 - 66	3/4"	3/4"	1"
72 - 108	1"	1"	1-1/4"

PIPE SIZE LISTED IS INSIDE DIA. OF ROUND PIPE OR EQUIVALENT DIA. OF PIPE ARCH.

- NOTES:
- ALL WORK ASSOCIATED WITH THE CONSTRUCTION OF RCP OUTFALL IN ACCORDANCE WITH THIS DETAIL INCLUDING RIP-RAP, END SECTIONS, TIES, GROUT AND FILTER COURSE SHALL BE SUBSIDIARY TO "RCP OUTFALL, X".
 - TIE RODS SHALL BE GALVANIZED OR POWER WASHED AND DIPPED IN AN APPROVED ZINC RICH EPOXY PRIME PAINT AFTER FABRICATION.
 - TIES TO BE USED ONLY TO HOLD PIPE SECTIONS TOGETHER, NOT FOR PULLING SECTIONS TIGHT.
 - TIE ROD THREADS SHALL PROJECT TO THE INSIDE OF PIPE EXCEPT AS NOTED IN PLANS.
 - TIE ROD THREADS SHALL BE RECESSED WHEN PIPE IS USED AS CATTLE PASS OR PEDESTRIAN TRAIL.
 - TIES MAY BE COMPLETED WITH U-BOLT TIES, SINGLE CONNECTION TIES (AS SHOWN) OR DOUBLE CONNECTION TIES.

PLOTTED: Wednesday, May 07, 2008 @ 11:28AM

H:\CIVIL\02035\03084\DWG\PAVE\03084OUTFALL.DWG

RCP OUTFALL
SHEET TITLE
472-83774
PROJECT NUMBER

JTC
DESIGN BY
DDG
DRAWN BY
GJA
CHECKED BY

ISSUED
May 2008
REVISED

SHEET NO.
16 of 34