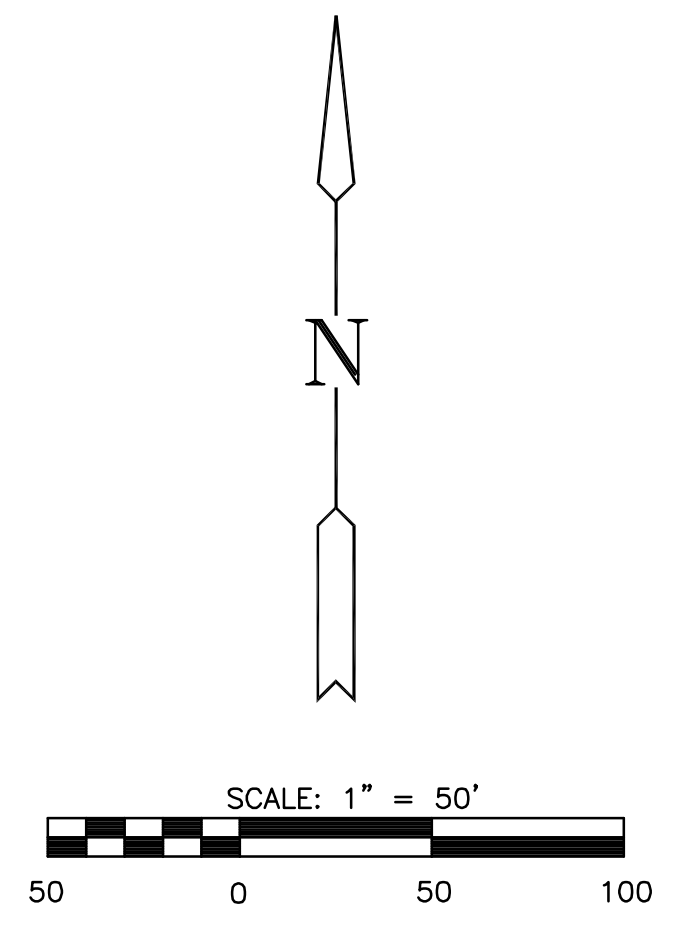
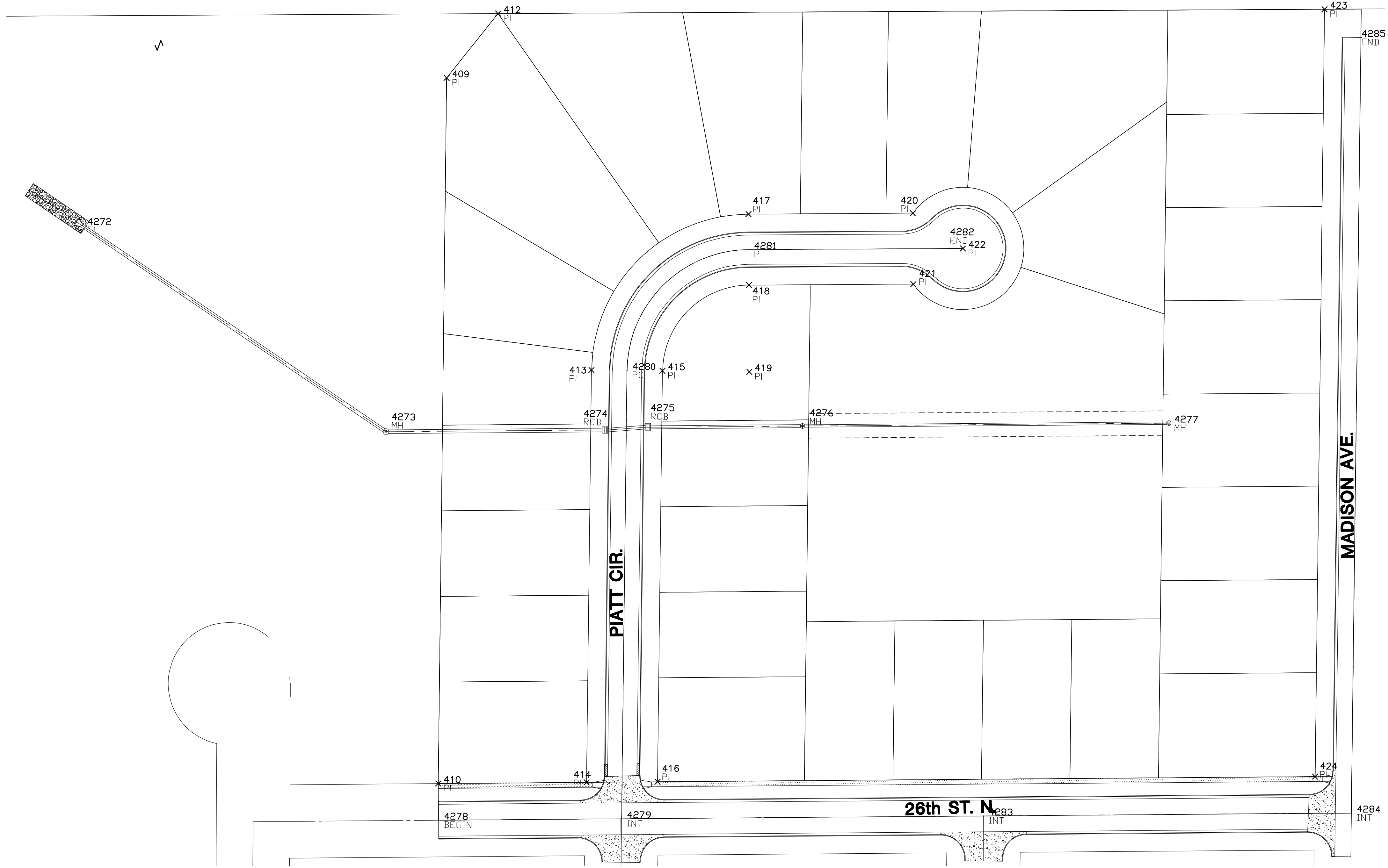


**PAVING AND INCIDENTAL DRAINAGE PLANS
POWER C.D.C. 3RD ADDITION**

Paving Points			
Point #	Northing	Easting	Description
4278	1702554.08	1655846.26	BEGIN
4279	1702557.88	1655995.80	INT
4280	1702924.45	1655993.78	PC
4281	1703024.98	1656091.50	PT
4282	1703028.97	1656266.45	END
4283	1702565.37	1656291.25	INT
4284	1702573.00	1656591.78	INT
4285	1703207.12	1656588.58	END

Storm Water Points			
Point #	Northing	Easting	Description
4272	1703035.10	1655546.56	FL
4273	1702870.91	1655797.80	MH
4274	1702875.44	1655976.38	INLET
4275	1702878.33	1656011.70	INLET
4276	1702881.51	1656138.00	MH
4277	1702889.12	1656437.19	MH

Plat Iron Points			
Point #	Northing	Easting	Description
409	1703160.98	1655842.33	PI
410	1702584.08	1655845.50	PI
411	1701892.88	1655873.71	PI
412	1703214.28	1655883.40	PI
413	1702924.30	1655964.78	PI
414	1702587.15	1655966.64	PI
415	1702924.61	1656022.78	PI
416	1702588.62	1656024.63	PI
417	1703053.97	1656090.84	PI
418	1702995.99	1656092.16	PI
419	1702925.00	1656093.78	PI
420	1703057.03	1656225.07	PI
421	1702999.05	1656226.39	PI
422	1703028.97	1656266.45	PI
423	1703229.68	1656558.46	PI
424	1702602.24	1656561.63	PI
425	1703244.27	1657198.00	PI
426	1701925.86	1657204.66	PI



PLOTTED: Wednesday, May 07, 2008 @ 11:26AM

BUBBLE MAP
SHEET TITLE
472-83774
PROJECT NUMBER

DESIGN BY JTC
DRAWN BY DDG
CHECKED BY GJA

ISSUED May 2008
REVISED

SHEET NO.
21 of 34

H:\CIVIL\02035\03084\DWG\PAVE\03084_E-D_BUBBLE.DWG