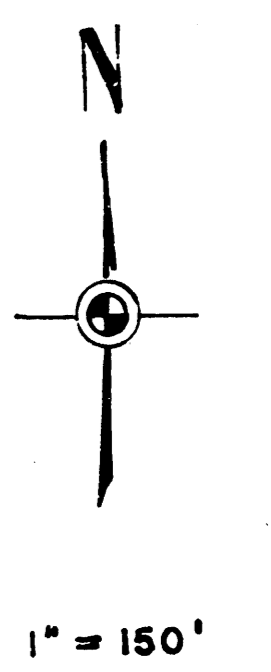
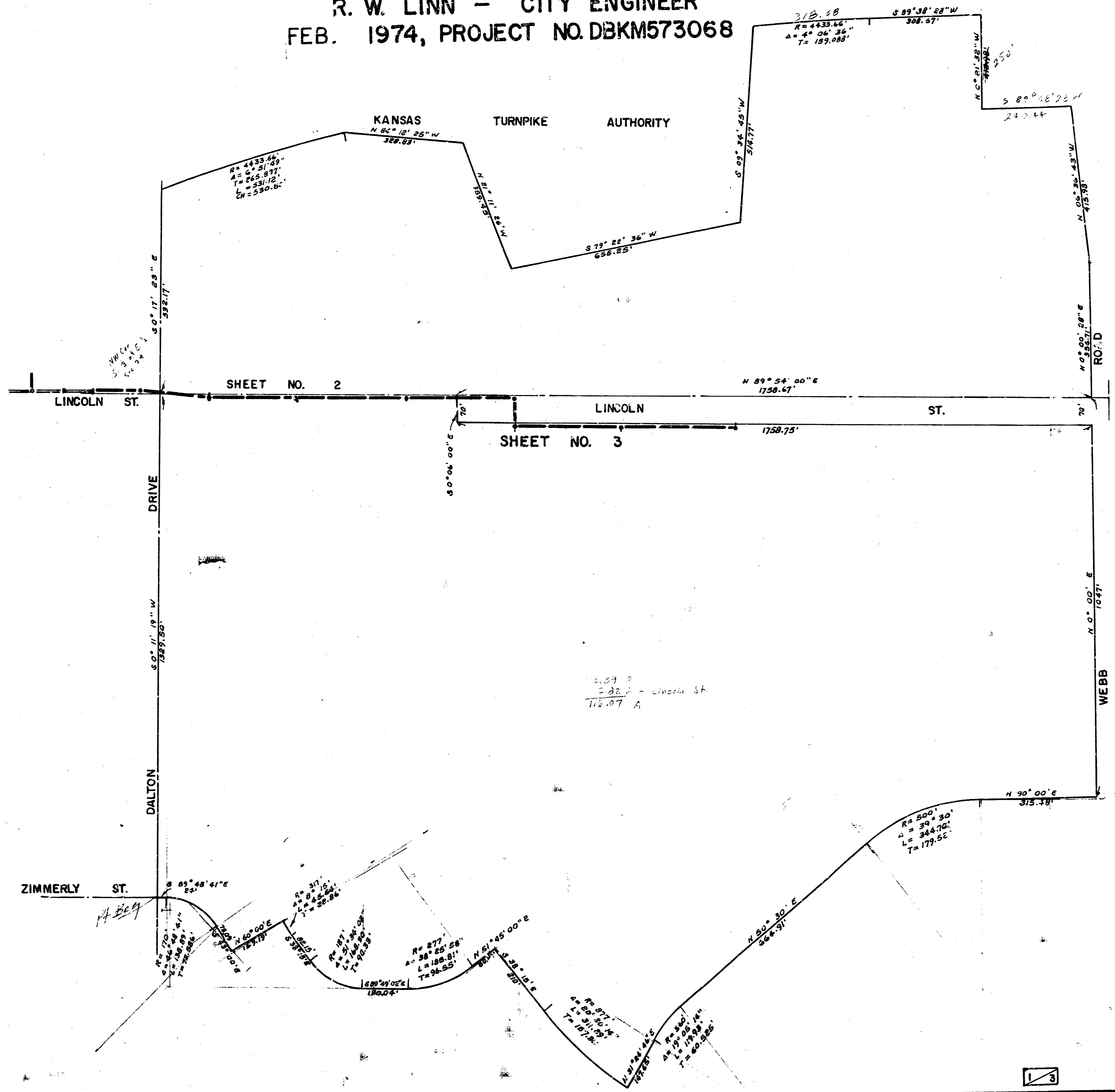


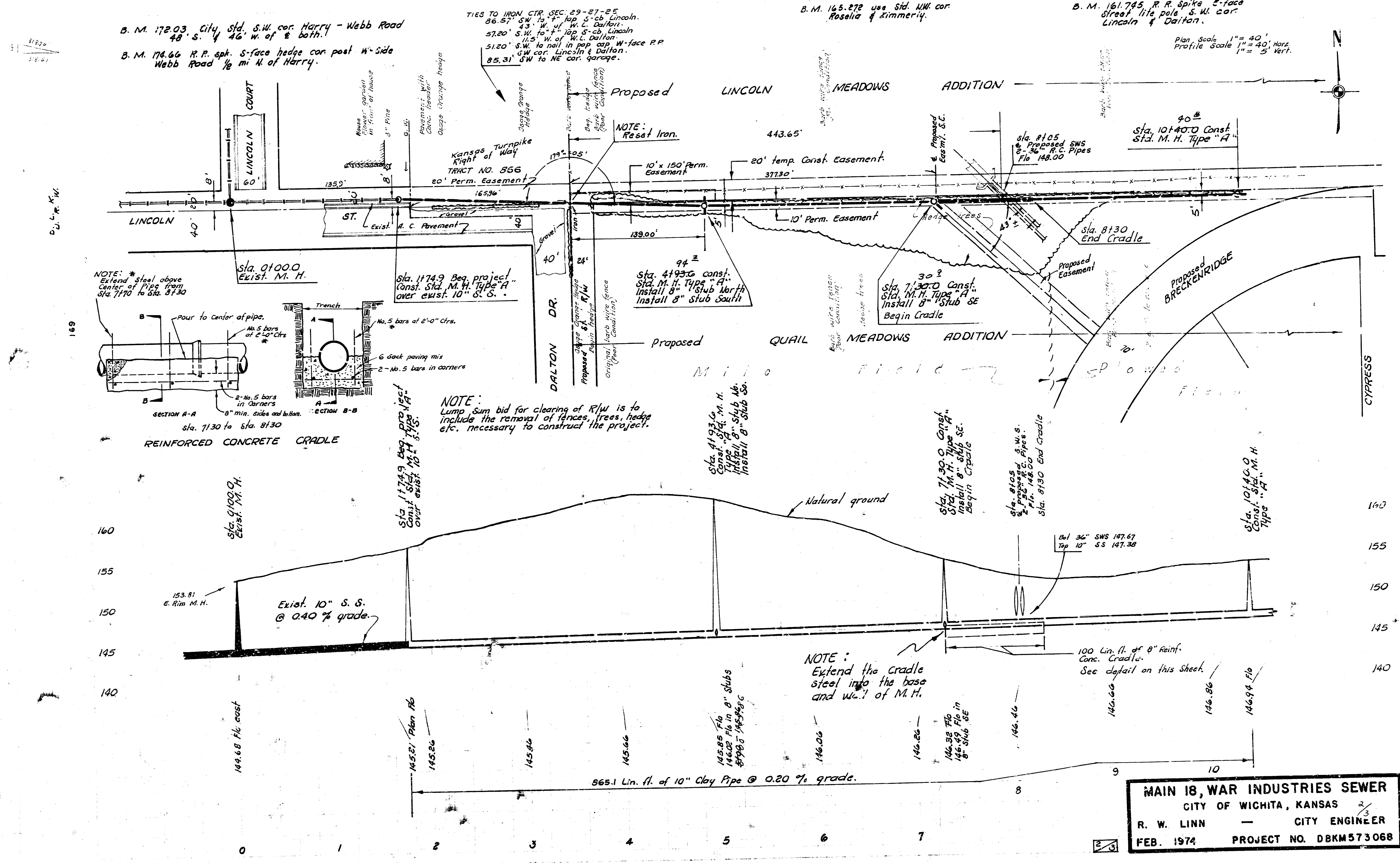
**MAIN 18, WAR INDUSTRIES SEWER**  
**CITY OF WICHITA, KANSAS**  
**R. W. LINN - CITY ENGINEER**  
**FEB. 1974, PROJECT NO. DBKM573068**



1" = 150'



"As Built" Final Meas. 268-Y  
 NOTE:  
 Sheet No. 3 Revised  
 March 6, 1974



B. M. 172.03 City Std. S.W. cor. Harry - Webb Road  
48' S. 46' W. of E. both.

B. M. 174.66 R.P. spk. S-face hedge cor. post W-side  
Webb Road 1/8 mi N. of Harry.

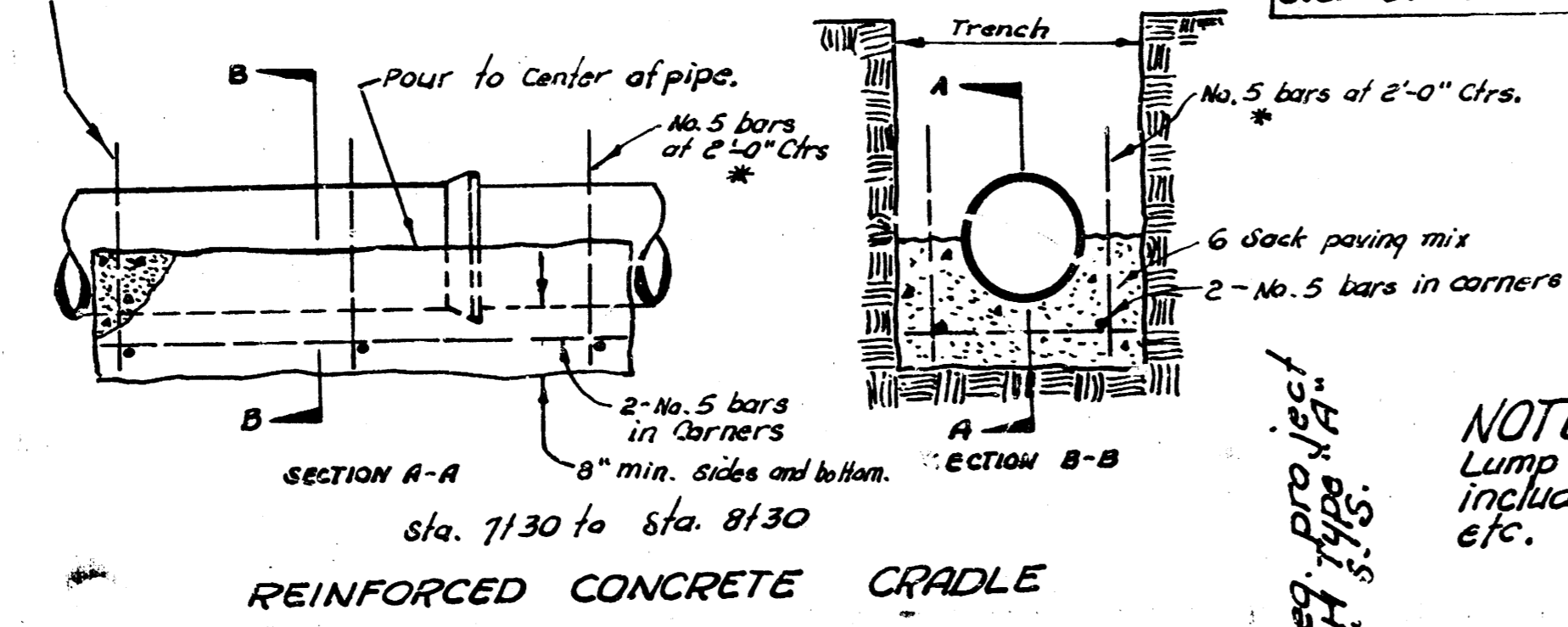
TIES TO IRON CTR. SEC. 29-87-2E  
86.57' SW 1/4 1" Top 5' ab Lincoln.  
43' W. of W.C. Dalton.  
57.20' S.W. 1/4 1" Top 5' ab Lincoln  
11.5' W. of W.C. Dalton.  
51.20' S.W. to nail in pop cap W-face R.P.  
SW cor. Lincoln & Dalton.  
85.31' SW to NE cor. garage.

B. M. 145.272 use Std. NW cor.  
Rosalia & Zimmermanly.

B. M. 161.745, R. R. spike 2-face  
Street life pole S.W. cor.  
Lincoln & Dalton.

Plan Scale 1" = 40'  
Profile Scale 1" = 5' Vert.

NOTE: \* Steel above  
Center of Pipe from  
Sta 7170 to Sta. 8130



REINFORCED CONCRETE CRADLE

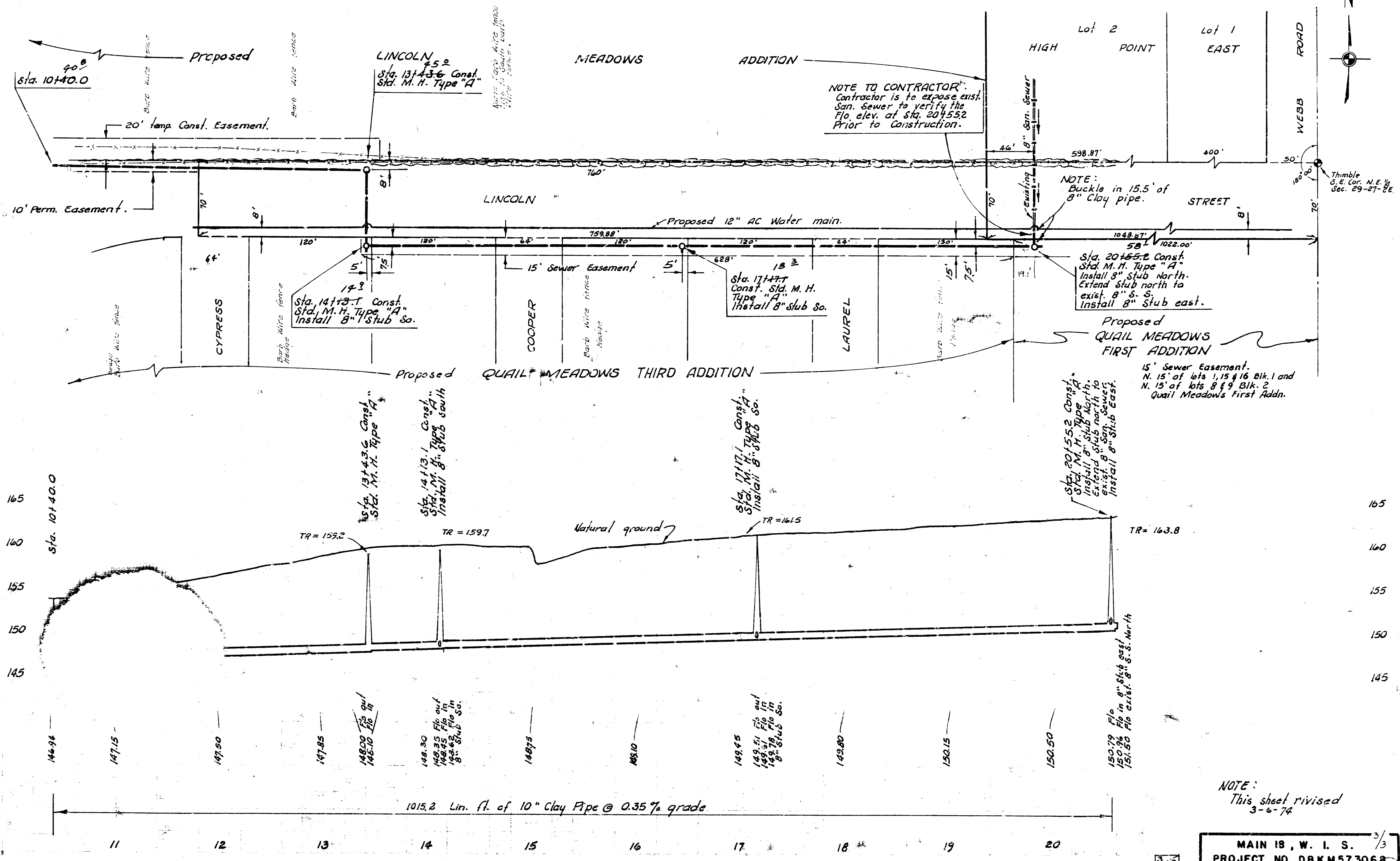
NOTE:  
Lump Sum bid for clearing of R/W is to  
include the removal of fences, trees, hedge  
etc. necessary to construct the project.

NOTE:  
Extend the Cradle  
steel into the base  
and W. of M.H.

**MAIN 18, WAR INDUSTRIES SEWER**  
CITY OF WICHITA, KANSAS  
R. W. LINN — CITY ENGINEER  
FEB. 1974 PROJECT NO. DBKM573068

B. M. 160.76 Std. South side of Harry  
1/2 mile east of Rock Rd.  
(Elev. not established)

B. M. 174.66 R. R. Spk. S-face hedge cor. post  
W-side Webb Road 1/2 mile N. of Harry.

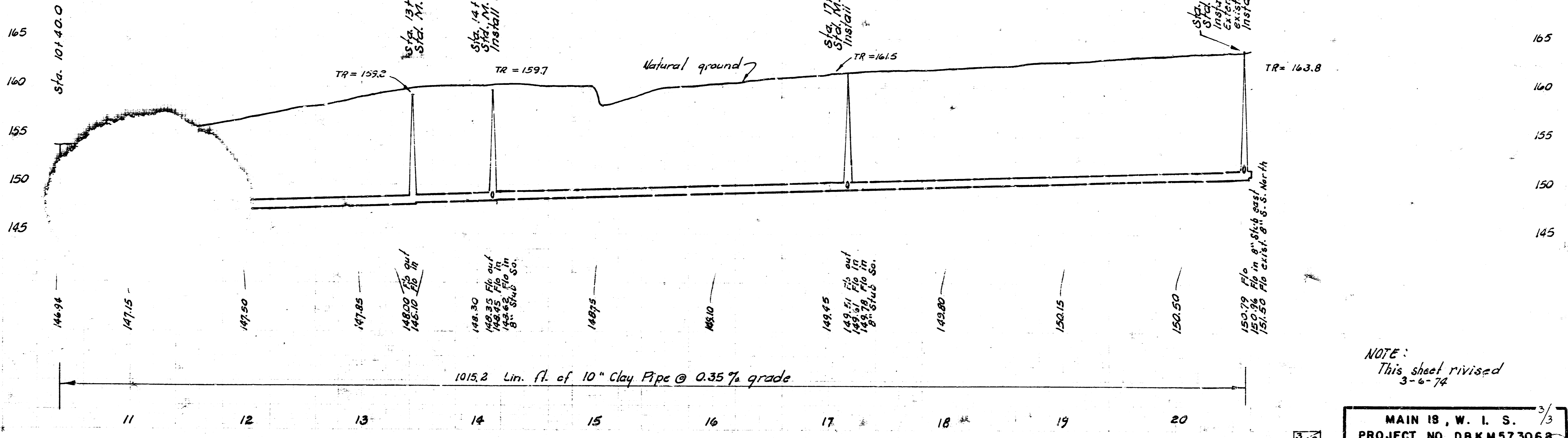


**NOTE TO CONTRACTOR:**  
Contractor is to expose exist. San. sewer to verify the Flo. elev. at sta. 204552 Prior to construction.

**NOTE:**  
Buckle in 15.5' of 8" Clay pipe.

Sta. 204552 Const. Std. M. H. Type "A"  
Install 8" stub north. Extend stub north to exist. 8" S. S. Install 8" stub east.

Proposed QUAIL MEADOWS FIRST ADDITION  
15' Sewer Easement. N. 15' of lots 1, 15 & 16 Blk. 1 and N. 15' of lots 8 & 9 Blk. 2 Quail Meadows First Addn.



1015.2 Lin. ft. of 10" Clay Pipe @ 0.35% grade

**NOTE:**  
This sheet revised  
3-6-74

MAIN 18, W. I. S. 3/3  
PROJECT NO. DBKM573068

FILMED FROM THE BEST