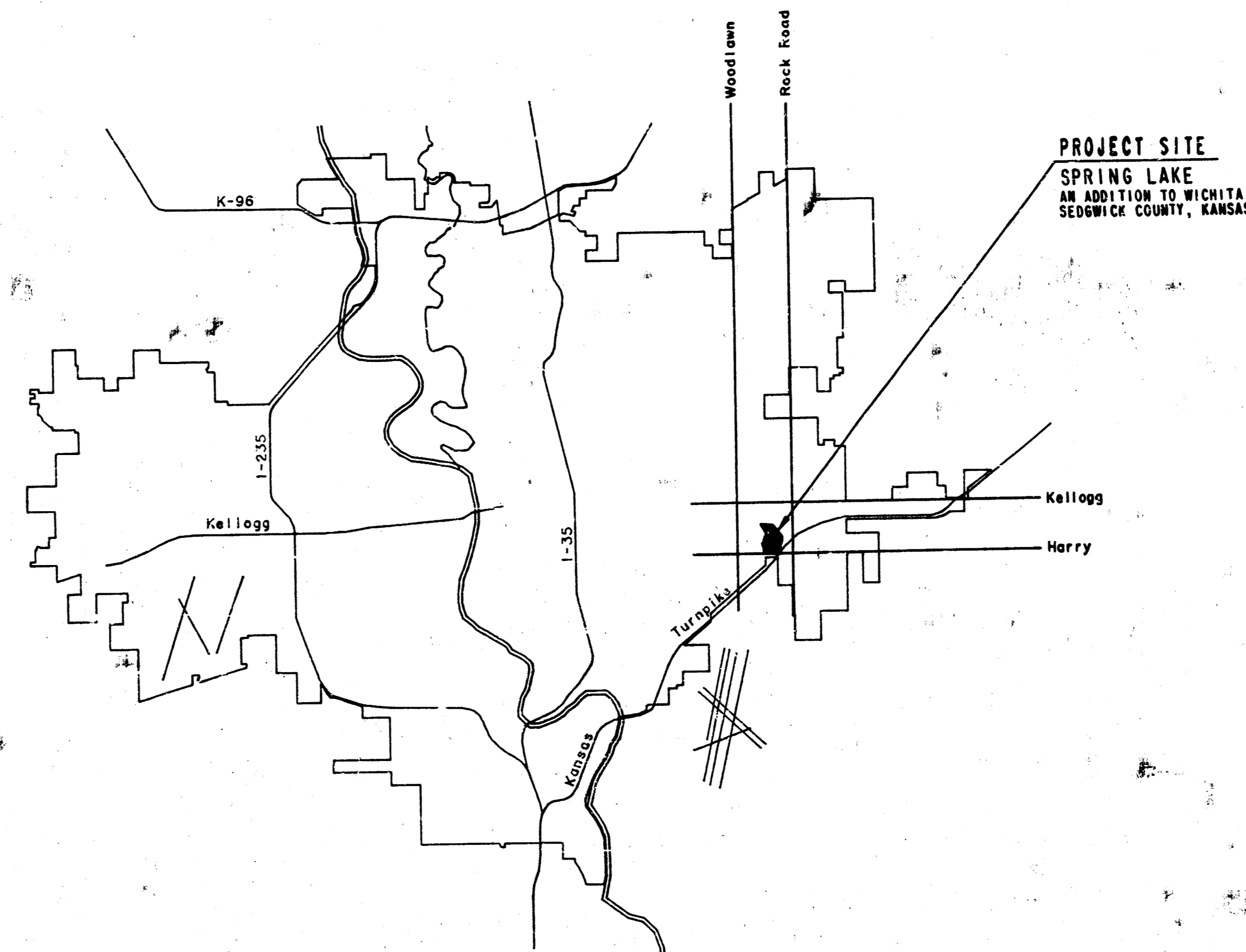


CONSTRUCTION PLANS FOR
LATERAL 65
OF THE
WAR INDUSTRIES SEWER
THE CITY OF WICHITA,
SEDGWICK COUNTY, KANSAS
MICHAEL E. LINDEBAK, P.E. CITY ENGINEER

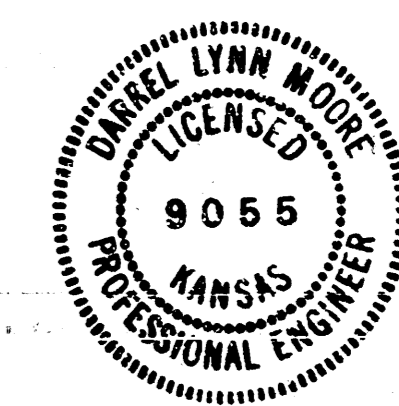


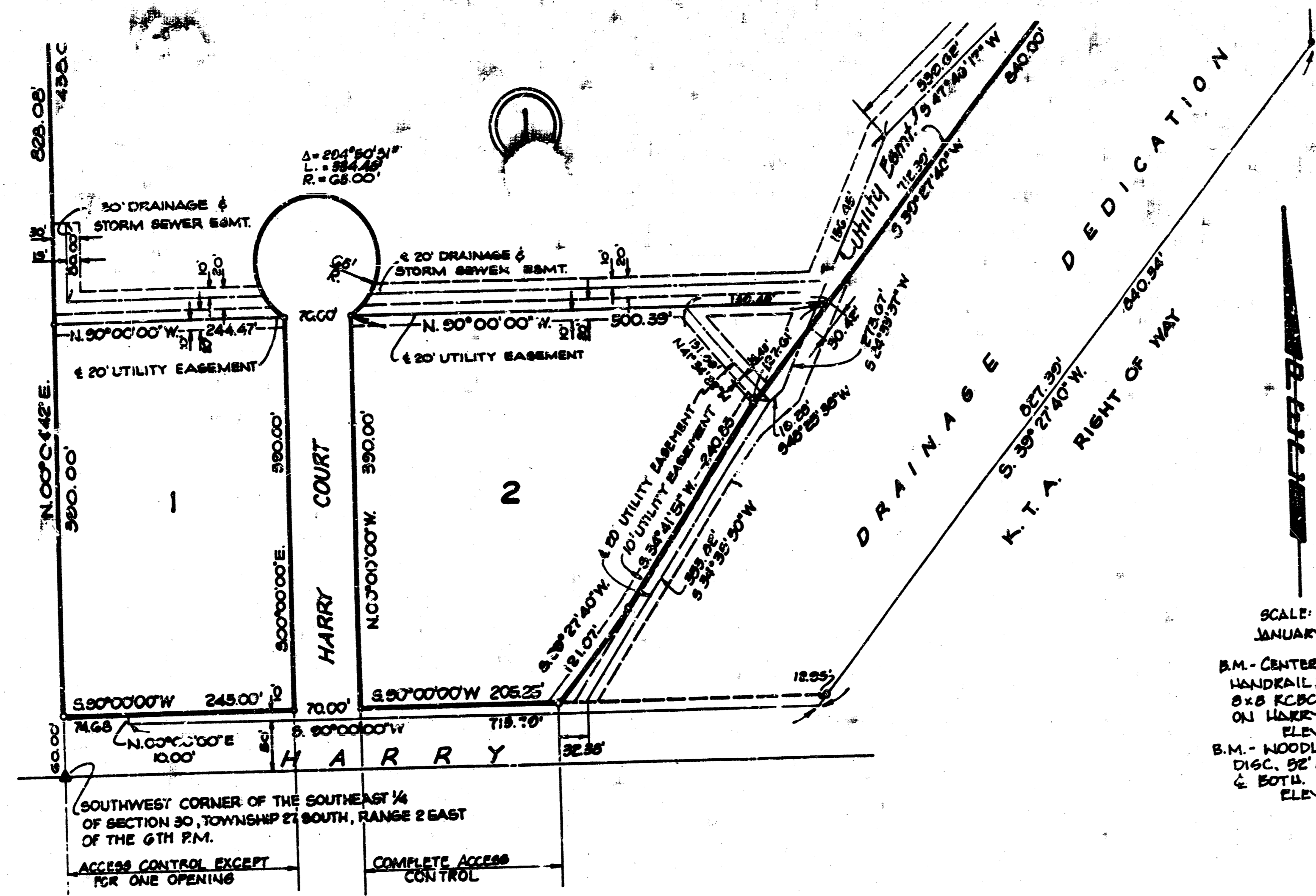
*ASB, H
2-8-85
Ldf*

LOCATION MAP
CITY OF WICHITA PROJECT NO. 468-76-245-80976-000-000-001

MARCH, 1985

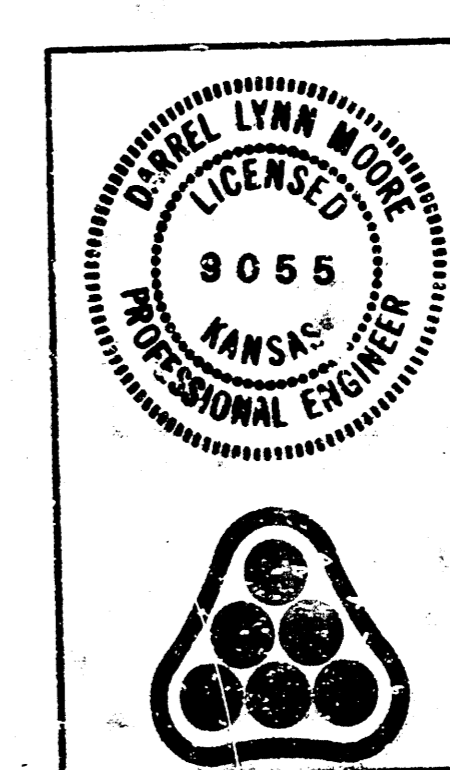
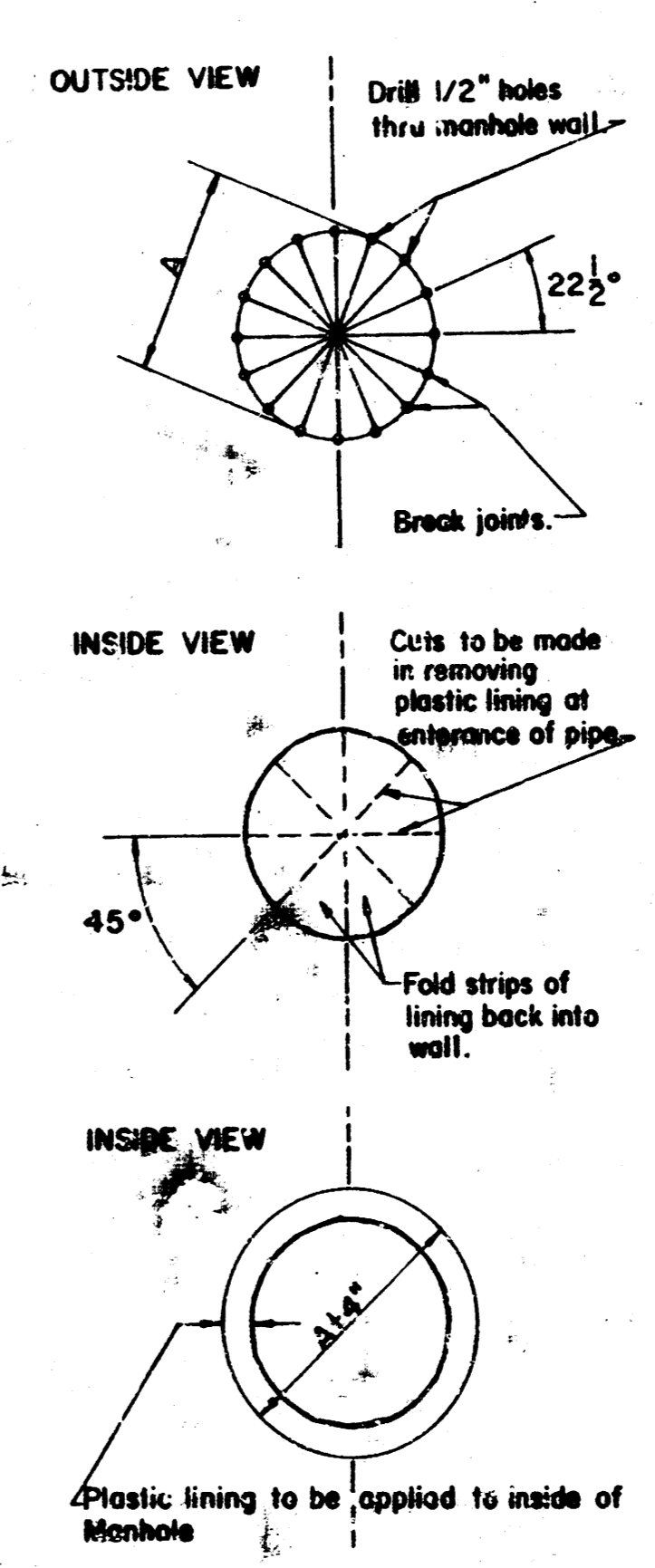
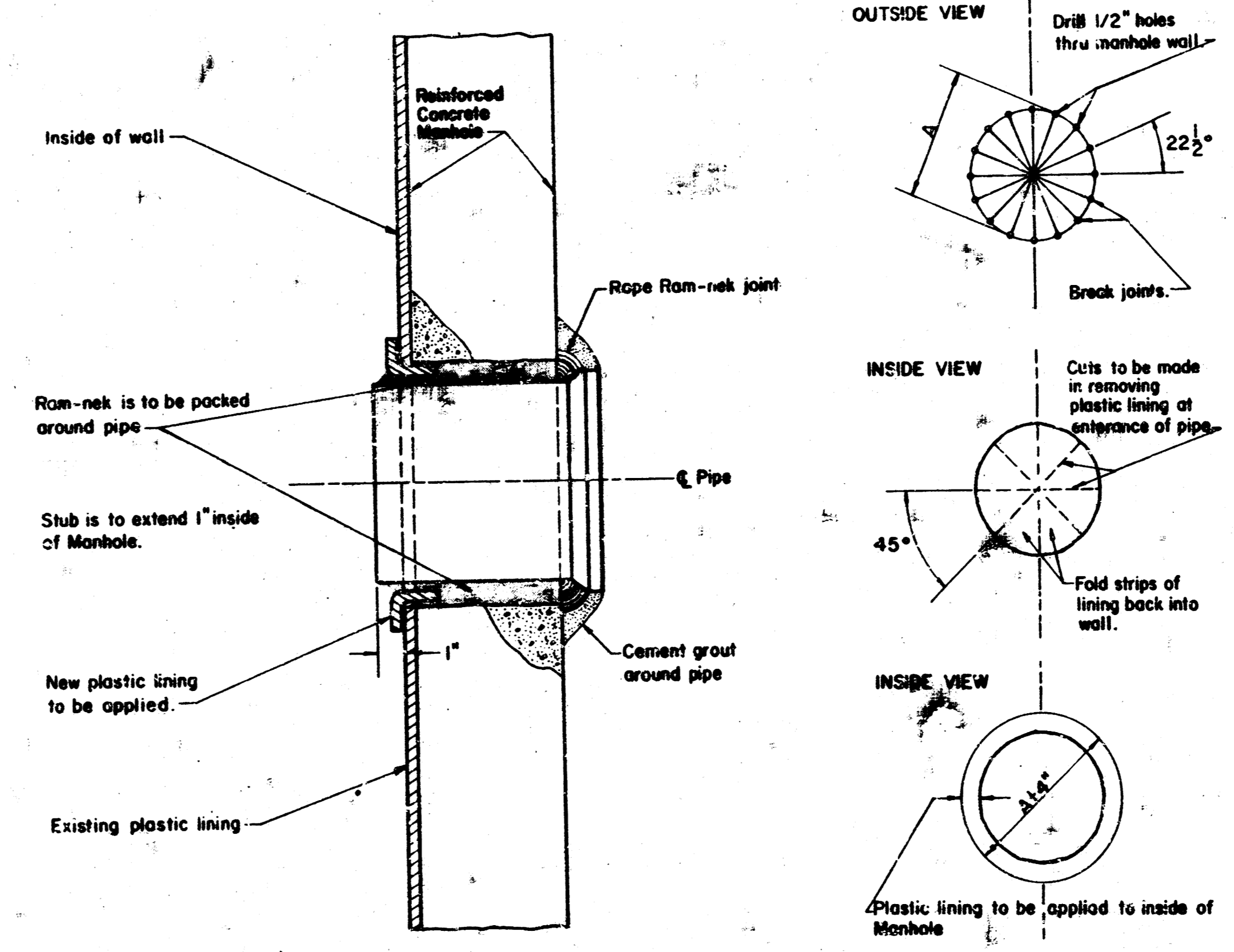
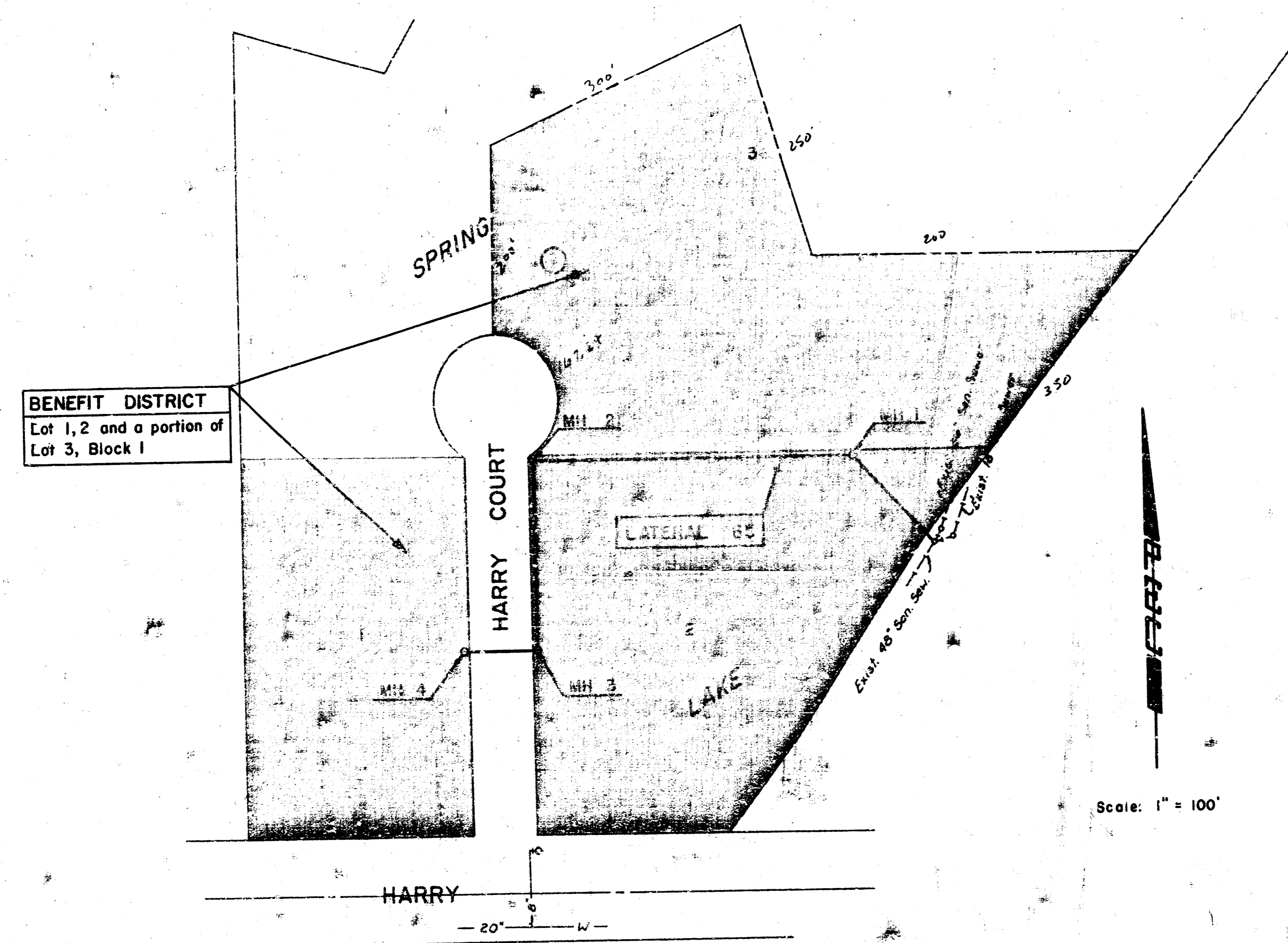
PLANS PREPARED BY
PROFESSIONAL ENGINEERING CONSULTANTS, P.A.
ENGINEERS
WICHITA, KANSAS





SCALE: 1" = 100'
 JANUARY 10, 1980
 B.M. - CENTER ON TOP WEST END
 HANDRAIL, NORTH SIDE OF TRIPLE
 8x8 RCBC, 250' EAST OF ROCK ROAD
 ON HARRY, C&G, "X"
 ELEV. = 199.41 (CITY DATUM)
 B.M. - WOODLAWN & HARRY, C.O.W. B.M.
 DISC. BE NORTH 1/4 AC. EAST OF
 G. BOTH
 ELEV. = 190.80 (CITY DATUM)

- GENERAL NOTES
1. ALL CONSTRUCTION AND MATERIALS TO COMPLY WITH CITY OF WICHITA SPECIFICATIONS AND STANDARDS.
 2. ALL ELEVATIONS SHOWN ARE CITY OF WICHITA DATUM (USGS-1187.4 = CITY DATUM).
 3. THE CONTRACTOR SHALL LIMIT THE EXTENT OF TRENCH TO REMAIN OPEN OVERNIGHTS AND WEEKENDS TO LESS THAN 50 FEET.
 4. AT LEAST 48 HOURS PRIOR TO BEGINNING EXCAVATION (EXCLUDING WEEKENDS AND HOLIDAYS), THE CONTRACTOR SHALL CONTACT THE KANSAS ONE-CALL SYSTEM, A UTILITY LOCATION SERVICE, AT (316) 687-2470 TO REQUEST THE FOLLOWING: UTILITY COMPANIES TO LOCATE ANY EXISTING LINES WITHIN THE PROJECT AREA: GAS SERVICE COMPANY, K.G. & E., THE WICHITA WATER DEPARTMENT, AND AIR CAPITAL CABLEVISION.
 5. THE CONTRACTOR MUST ALSO NOTIFY THE TELEPHONE COMPANY AT (313) 571-2115 48 HOURS PRIOR TO BEGINNING EXCAVATION AND REQUEST THAT ANY LINES WITHIN THE PROJECT AREA BE FLAGGED.
 6. THE BURIED UTILITIES AS LOCATED ON THE PLANS ARE APPROXIMATE LOCATIONS ONLY. IT SHOULD BE NOTED THAT OTHER BURIED LINES AND CABLES MAY EXIST WHICH ARE NOT SHOWN ON THESE PLANS. THE CONTRACTOR SHALL EXERCISE EXTREME CAUTION DURING TRENCHING OPERATIONS TO AVOID DAMAGING THESE LINES. ANY LINES DAMAGED SHALL BE REPLACED OR REPAIRED IMMEDIATELY AS DIRECTED BY THE ENGINEER AT THE CONTRACTOR'S EXPENSE.
 7. THE CONTRACTOR SHALL RESTORE ALL DITCHES, SWALES, ROAD SHOULDERS, ENTRANCES, AND BANK LINES TO THEIR ORIGINAL SLOPES AND GRADES EXCEPT AS SHOWN OTHERWISE.
 8. THE CONTRACTOR SHALL BE RESPONSIBLE FOR PRESERVING PROPERTY IRONS. THE CONTRACTOR SHALL BE REQUIRED TO RE-ESTABLISH ANY PROPERTY IRONS WHICH ARE DAMAGED OR DESTROYED BY HIS CONSTRUCTION OPERATIONS. SUCH IRONS SHALL BE RE-ESTABLISHED BY A LICENSED LAND SURVEYOR OR A LICENSED PROFESSIONAL ENGINEER IN ACCORDANCE WITH STATE LAWS. ALL COSTS FOR THIS WORK SHALL BE SUBSIDIARY TO THE OTHER ITEMS OF WORK.
 9. ALL EXCESS EXCAVATED MATERIAL FROM THIS PROJECT SHALL BE WASTED ON SITE. NO EXCESS MATERIAL SHALL BE PLACED WITHIN STREET RIGHTS-OF-WAY. THE CONTRACTOR SHALL CONTACT THE DEVELOPER FOR INFORMATION PERTAINING TO ACCEPTABLE LOCATIONS FOR THE DISPOSITION OF WASTE MATERIAL. WASTE MATERIAL SHALL BE BLADED SMOOTH AND SLOPED TO DRAIN. THIS WORK SHALL BE SUBSIDIARY TO OTHER BID ITEMS.
 10. CONTRACTOR SHALL PROVIDE POSITIVE DRAINAGE AWAY FROM ALL MANHOLE COVERS.
 11. WHERE CONNECTION TO AN EXISTING SEWER IS REQUIRED, THE CONTRACTOR SHALL BE RESPONSIBLE FOR MAINTAINING CONTINUOUS FLOW OF SANITARY SEWAGE THROUGH CONSTRUCTION. CONTRACTOR'S PROPOSED METHOD FOR MAINTAINING FLOW SHALL BE APPROVED BY THE ENGINEER. COST OF MAINTAINING FLOW THROUGH CONSTRUCTION WILL NOT BE PAID FOR DIRECTLY AND THIS COST SHALL BE CONSIDERED AS SUBSIDIARY TO THE OTHER ITEMS OF WORK.



No.	Revision	By	Date
LATERAL 65 OF THE WAR INDUSTRIES SEWER KEY MAP MICHAEL E. LINDEBAK, P.E. CITY ENGINEER CITY OF WICHITA PROJECT NO. 468-78-245-90976-000-000-001 PROFESSIONAL ENGINEERING CONSULTANTS, P.A. ENGINEERS WICHITA, KANSAS			
Designed by	DLM, RFJ	Job No. 34-85093-2	2/5
Drawn by	GLM, TJS	Date	March 1985
			2 of 3

FILED FROM THE BEST AVAILABLE COPY.....

