

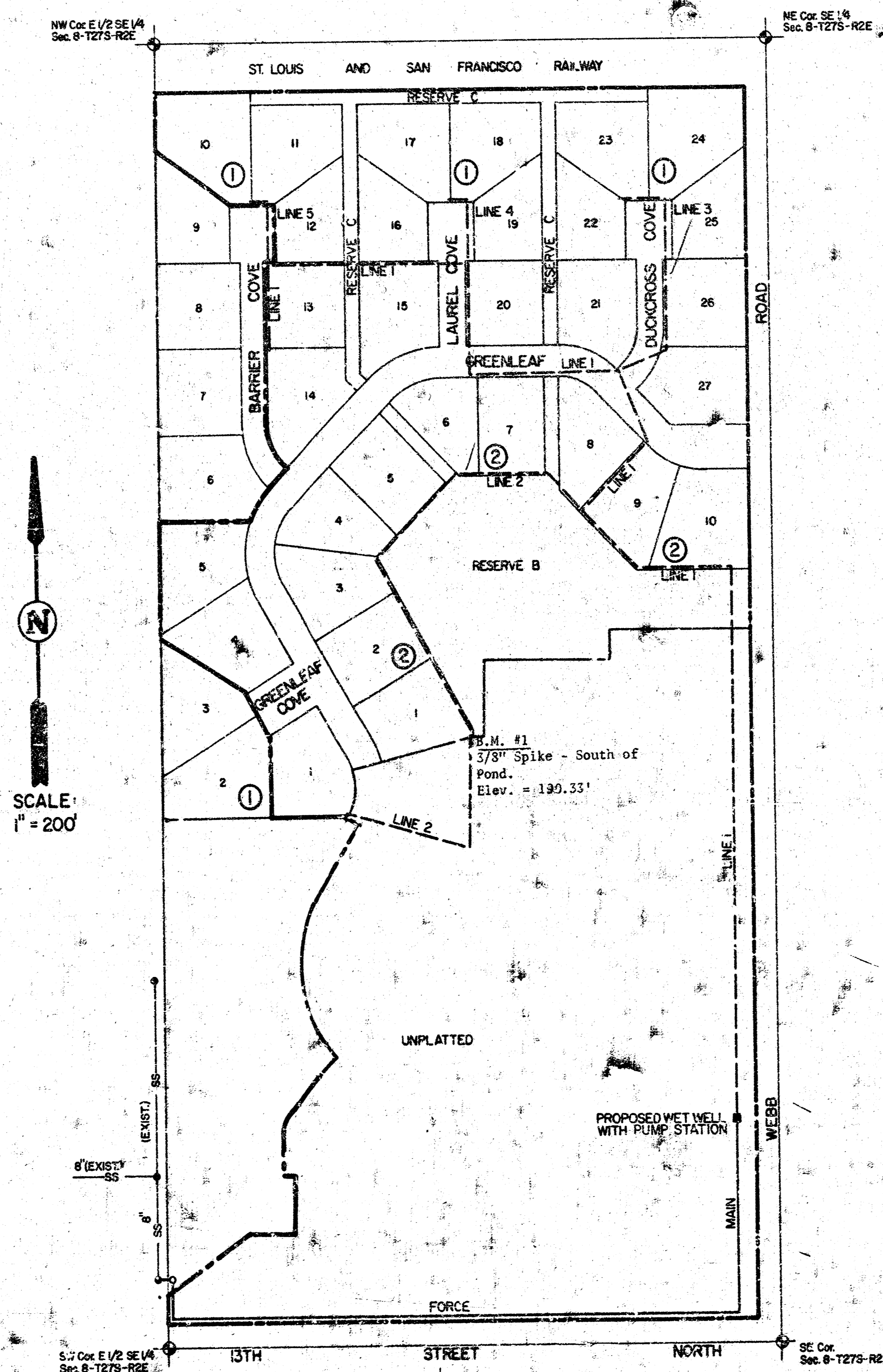
TEMPORARY LIFT STATION AND FORCE MAIN FOR LATERAL 67 WAR INDUSTRIES SEWER

PROJECT NO.
468-76-245-81070-000-000-001

CITY OF WICHITA, KANSAS
R. W. BRUGGEMAN, CITY ENGINEER
MARCH, 1981
FOLIAGE

LEGEND

PROPOSED LINE	—————
EXISTING LINE	- - - - -
BENEFIT DISTRICT BOUNDARY	—————



INDEX TO DRAWINGS

SHEET NO.	DESCRIPTION
1	COVER SHEET
2-3	FORCE MAIN
4	PUMP STATION DETAILS

NOTE: CONTRACTOR MUST OBTAIN ALL BUILDING AND ELECTRICAL PERMITS FROM SEDGWICK COUNTY.

*As Built
 J.L.L.
 8-82*

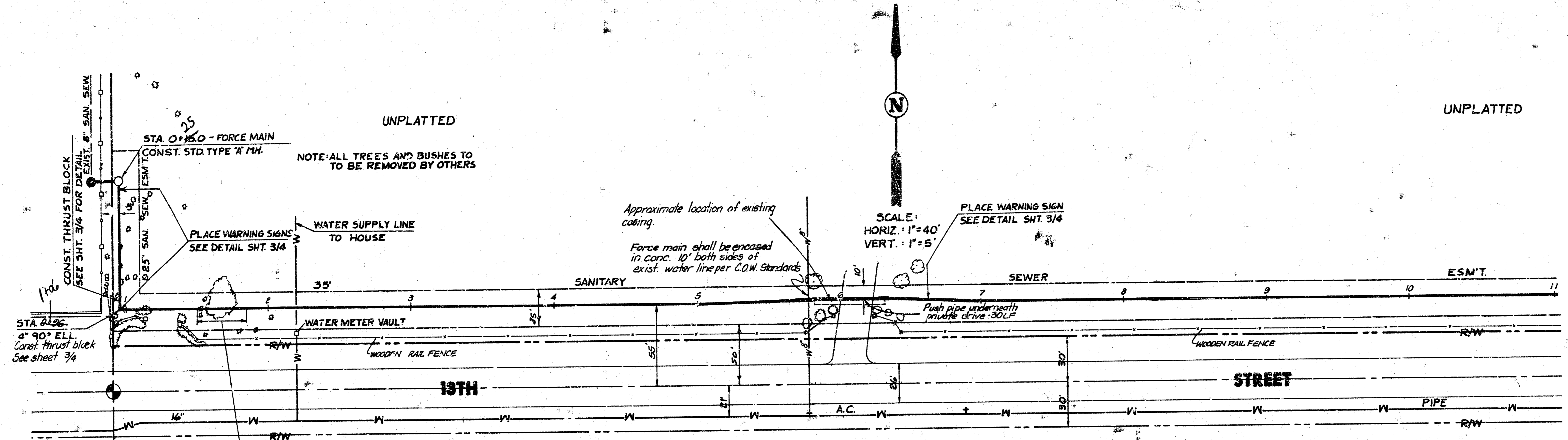
*Revised 11/16/81, move pump sta. north
 shifted force main south*



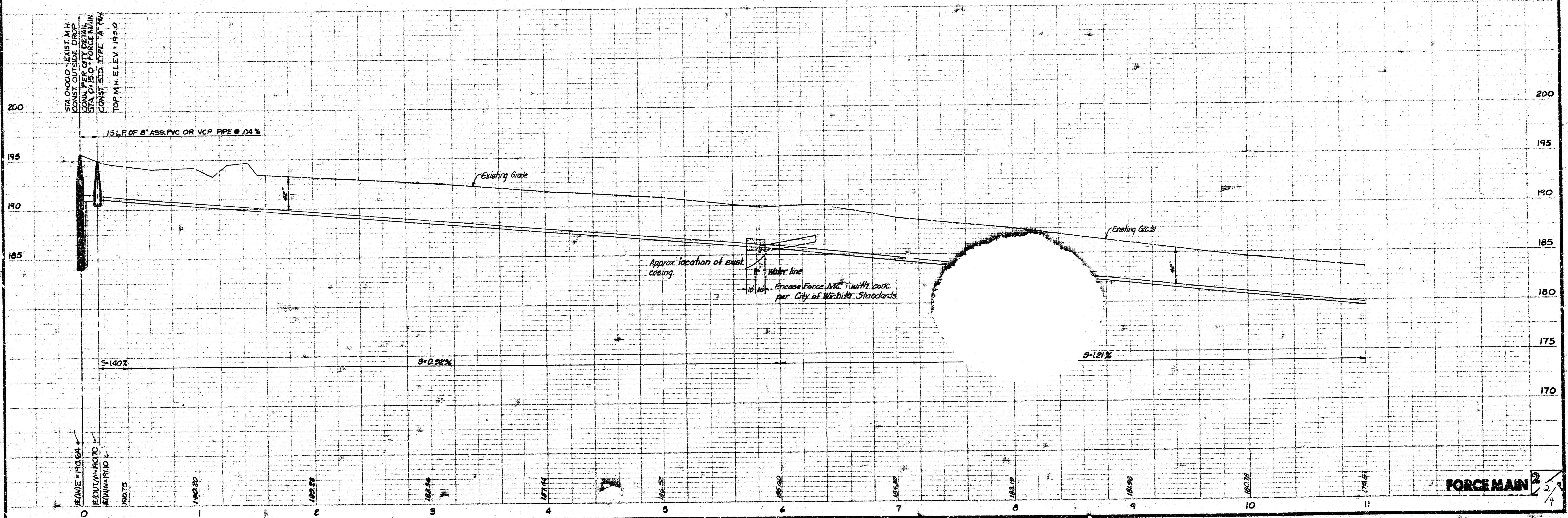
Van Doren Hazard Stallings
 Architects-Engineers-Planners
 Topeka - Wichita - Minneapolis - Kansas City

Sheet 1 of 4

FOLIAGE
 LAT. 67, WAR IND. SEW. (FORCE MAIN)
 468-76-245-81070-000-001



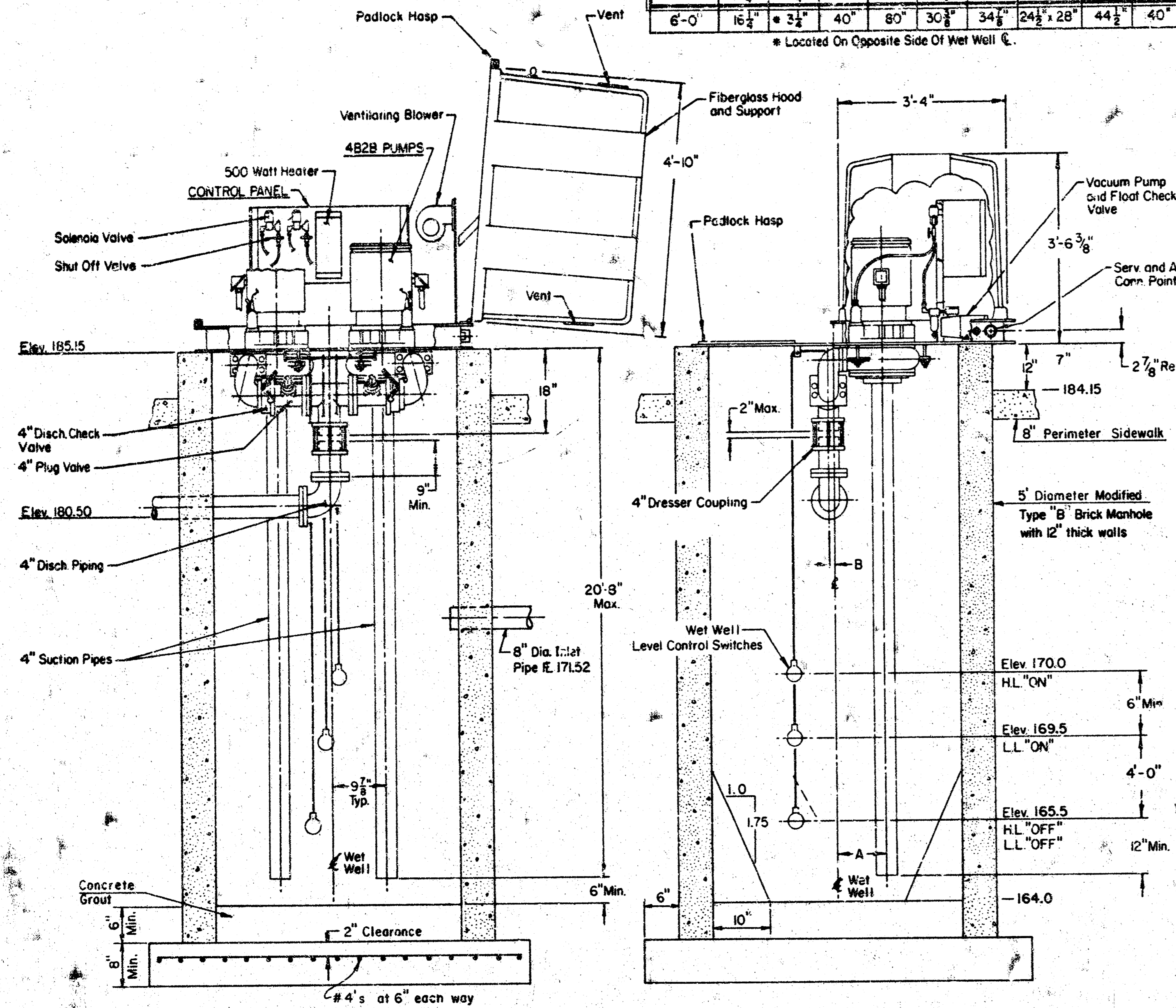
As Buid.
 J.L.L.
 8-82



PUMP CHARACTERISTICS
 115 gpm
 32 ft.

WET WELL DIAMETER	A DIM.	B DIM.	C DIM.	D DIM.	E DIM.	F DIM.	G DIM.	H DIM.	J DIM.
4'-0"	7 1/2"	5 1/2"	30 1/2"	61"	19 1/2"	24 1/2"	14" x 24"	34"	28"
5'-0"	16 1/2"	13 1/2"	40"	80"	30 1/2"	34 1/2"	24 1/2" x 28"	44 1/2"	40"
6'-0"	16 1/2"	13 1/2"	40"	80"	30 1/2"	34 1/2"	24 1/2" x 28"	44 1/2"	40"

* Located On Opposite Side Of Wet Well.

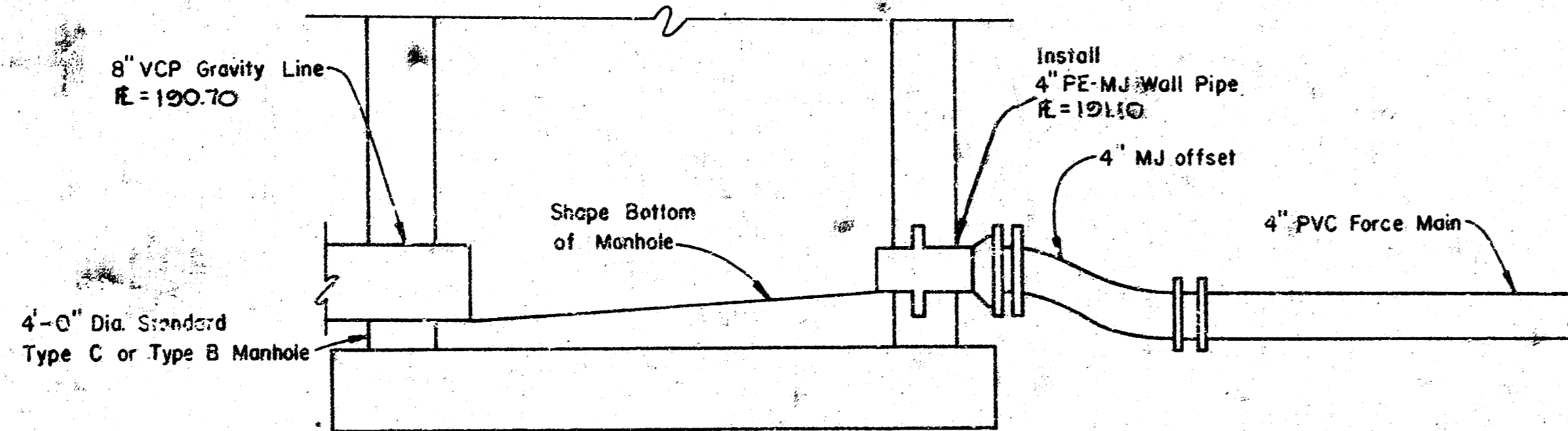


SECTIONAL ELEVATION

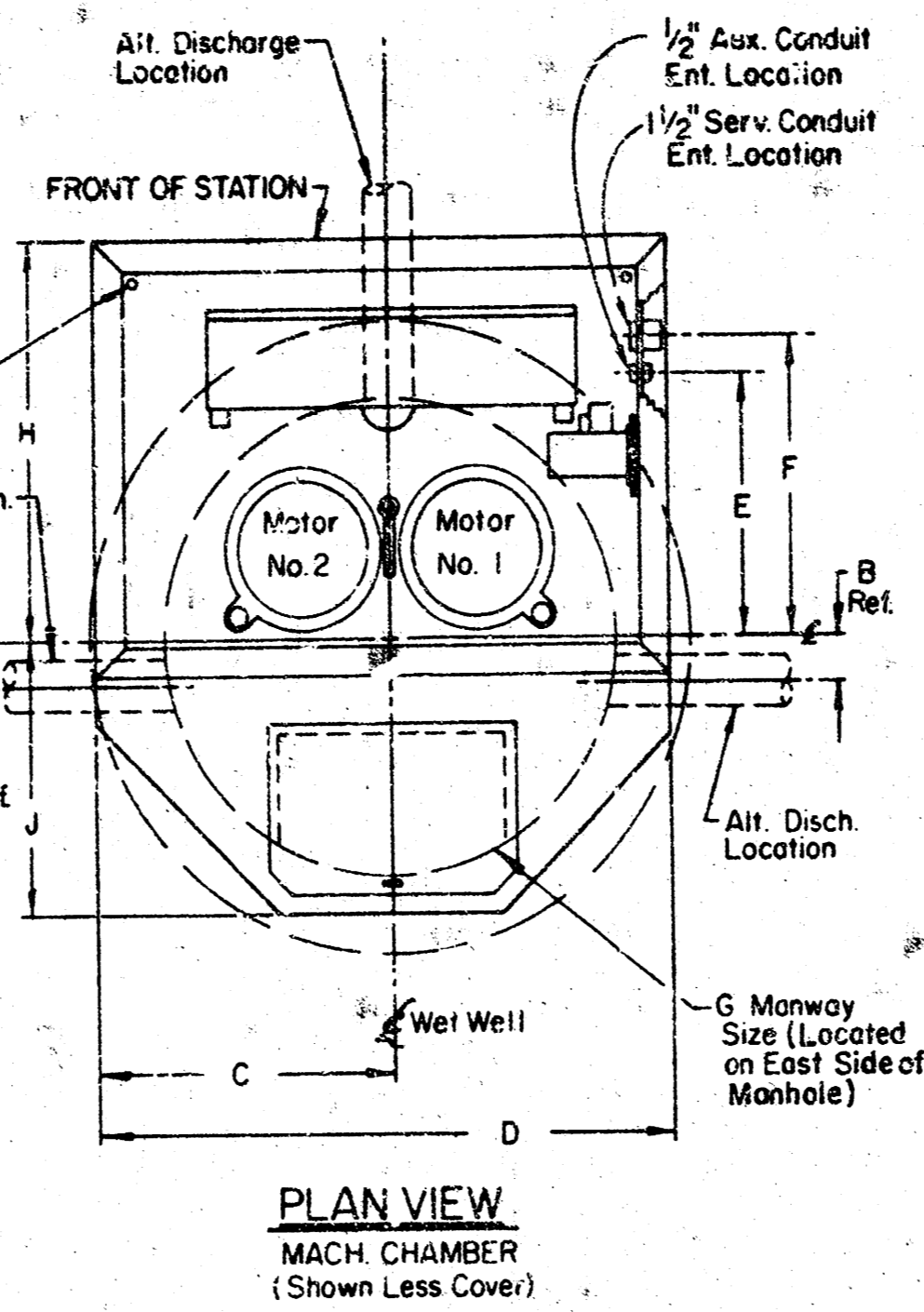
CROSS SECTION

SMITH & LOVELESS PUMP STATION

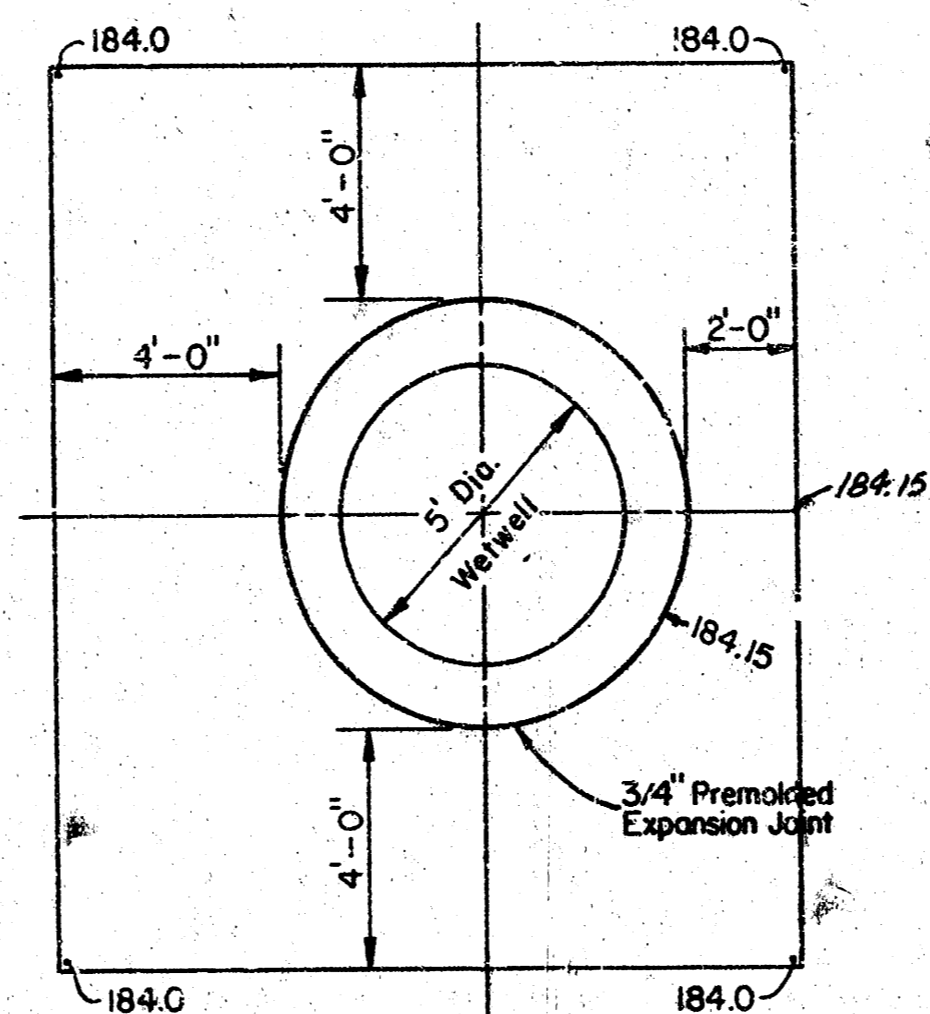
NOTE: DRAWINGS SHOW PUMP VOLUTES AND CHECK VALVES BELOW THE BASE PLATE. LIFT STATION FURNISHED SHALL HAVE PUMP VOLUTES AND CHECK VALVES ABOVE THE BASE PLATE.



STANDARD MANHOLE WITH FORCE MAIN CONNECTION



PLAN VIEW
 MACH CHAMBER
 (Shown With Cover)



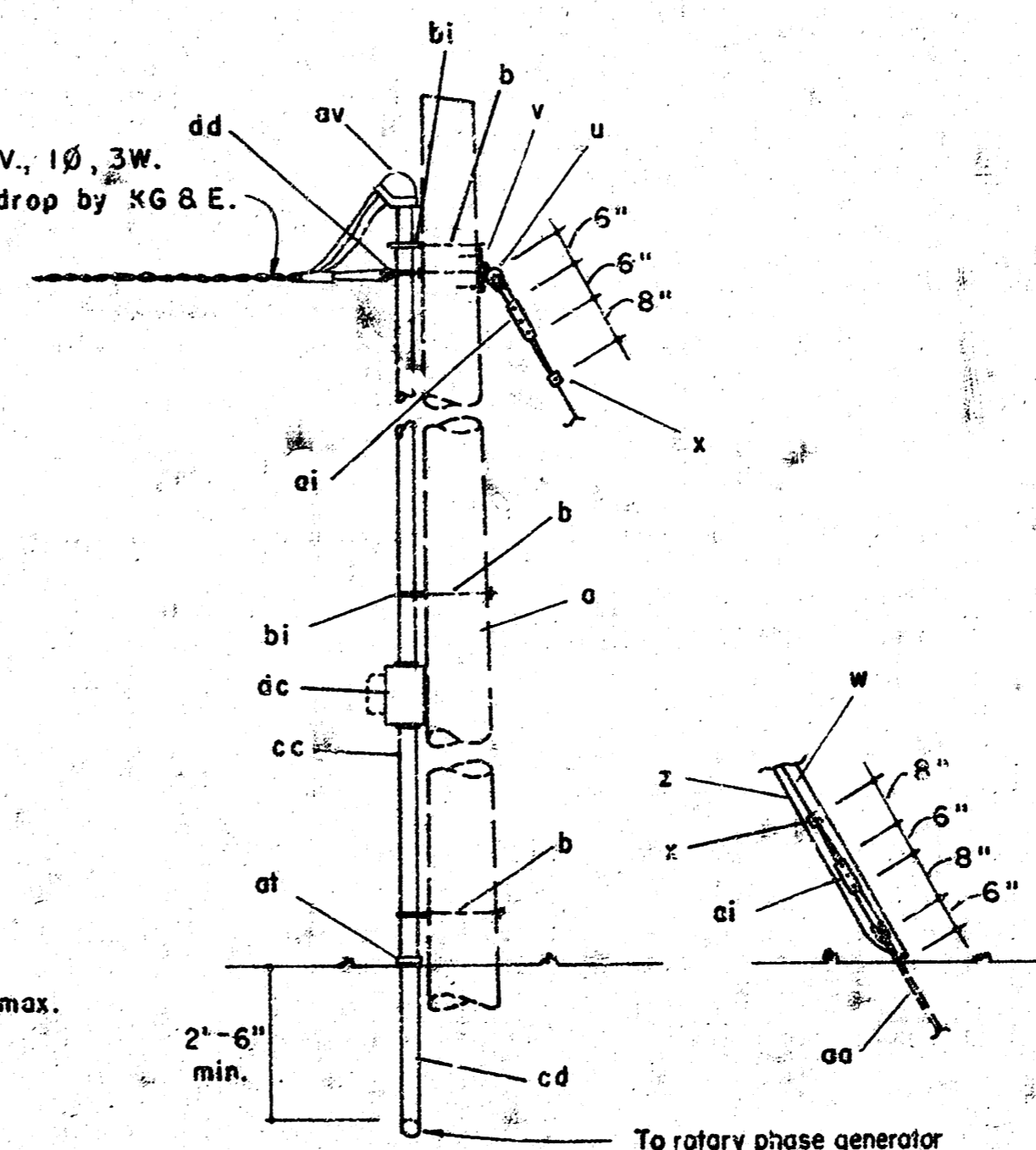
PLAN

8" PERIMETER SIDEWALK

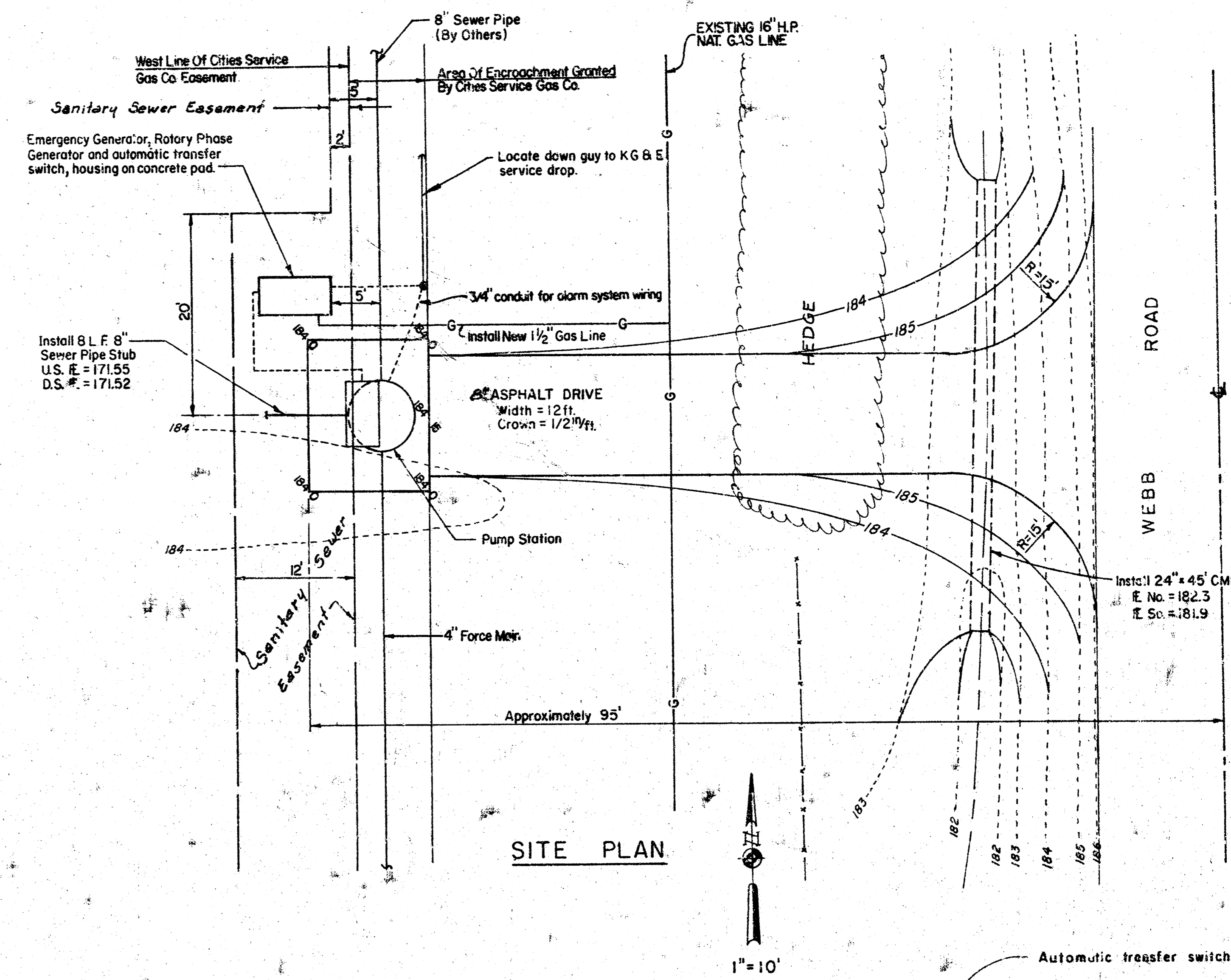
MATERIAL SCHEDULE

- a 30" Class 5 treated pole
- b 5/8" Machine bolt
- u Angle thimbleye bolt, 5/8"
- v Curved lift plate with 2 - 1/2" x 5" lag screws
- w Guy strand, galvanized, ultimate strength 12M lb.
- x Guy clip
- z Guy guard, galvanized steel, 8'-0"
- aa Anchor rod, thimbleye 3/4" x 8'-0" with expanding anchor
- ai 3-bolt clamp
- at Steel to PVC coupling adapter
- av Entrance head fitting
- bi Stand-off bracket and 1/2" U-bolt pipe support on 8" ctrs. max.
- cc 3" 6 XHHW in rigid steel galv. conduit
- cd 3" 6 XHHW in 1" PVC conduit
- dc Muler socket base (furnished by KG & E).
- ad Insulated clevis.

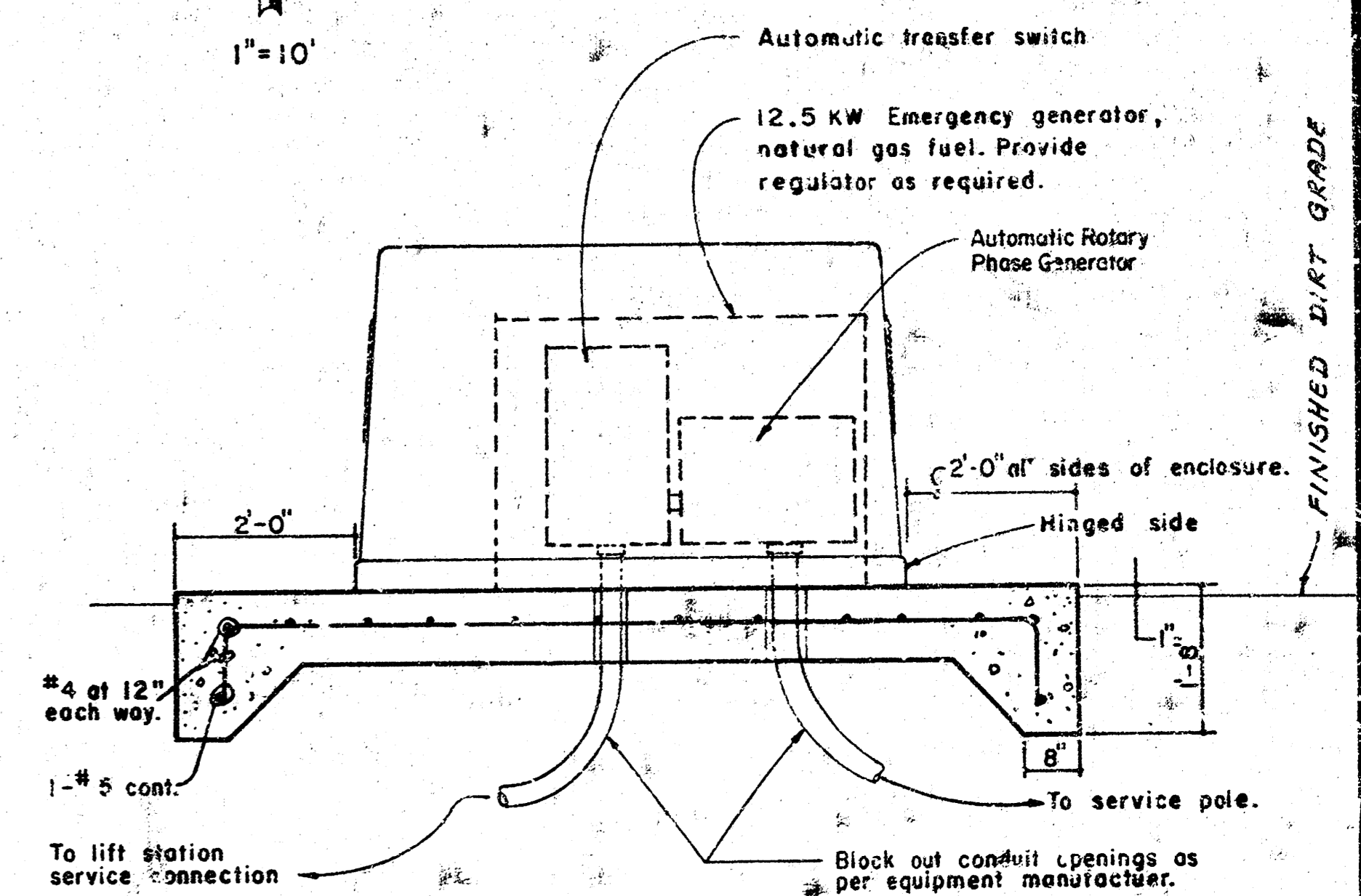
120/240V, 1Ø, 3W.
 service drop by KG & E.



ELECTRICAL SERVICE POLE DETAIL



SITE PLAN



CONCRETE PAD FOR EMERGENCY GENERATOR

<p>PUMP STATION DETAILS</p>		Design
		Drawn by
<p>Van Doren - Hazard - Stallings</p> <p>Architects • Engineers • Planners</p> <p>Tapeva Wichita Minneapolis</p>		Checked by
		Date
		Job no.
		Sheet