

# SANITARY SEWER IMPROVEMENTS TO SERVE CHRIST COMMUNITY CHURCH ADDITION LATERAL 126, WAR INDUSTRIES INTERCEPTOR

Project Number

**488-76-245-82423-000-000-001**

Index Code

**742338**

CITY OF WICHITA, KANSAS

Michael E. Lindebak, City Engineer

**GENERAL NOTES:**

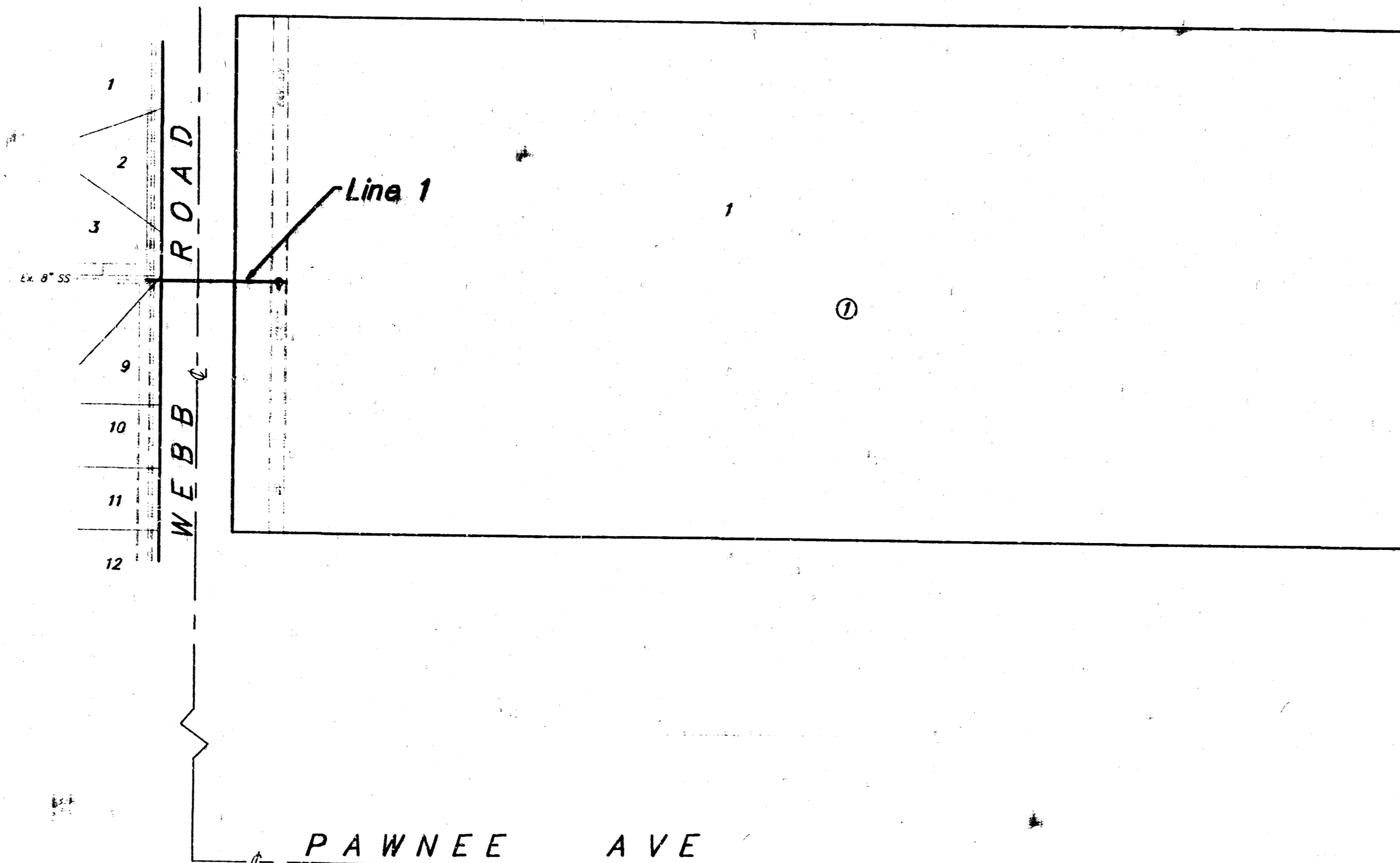
1. Contractor will be required to provide notice to utility companies a minimum of twenty-four (24) hours prior to any excavation, as follows:

Kansas One-Call 687-2470

The Contractor must notify the following in case of an emergency:

Raytheon Aircraft Co. (Beech)	676-5300
Cablevision	262-4270
or	263-2061
K.P.L. Gas Service Company	263-7511
Kansas Gas & Electric Company	264-1141
Arkia Gas Company	942-8350
or	263-8161
Southwestern Bell Telephone Company	1-571-2611
City of Wichita Water Department	268-4908
City of Wichita Sewer Maintenance	268-4071

2. Underground utility service lines and overhead utility pole lines are to be adjusted as necessary by others prior to construction unless the plans specifically call for their adjustment by the Contractor or unless the plans specifically identify a utility to be adjusted by its owner during construction. Existing utilities and their location, as shown on the plans, represent the best information obtainable for design. The Contractor will be required to work around existing utilities within the right-of-way which do not conflict with proposed construction.
3. Properties within the project limits may have underground sprinkler systems in public right-of-way which conflict with new construction. Contractor will be required to remove such improvements should they not be removed by their owner at the time of construction of the project. The Contractor will be required to salvage all sprinkler heads and/or valves and give such material to their owner. Portions of underground sprinkler systems not in conflict with new construction shall be protected from damage and shall remain in place. All work in connection with underground sprinkler systems shall be considered as subsidiary to the contract pay items of work.
4. The Contractor shall notify pipeline companies at least 24 hours in advance of any work being performed across and/or adjacent to pipelines.
5. Trees and shrubs in public right-of-way which are in direct conflict with proposed new construction shall be removed by the Contractor with the Engineer's approval. Trees and shrubs which are not in direct conflict with proposed new construction shall be saved and protected from damage.
6. The Contractor shall give all property owners and/or tenants of developed property abutting the construction of this project a minimum of ten (10) days advance notice prior to start of construction.
7. The Contractor shall be responsible for maintaining continuous flow of sewage through construction. Contractor's proposed method for maintaining sewage flow shall be approved by the Engineer. Cost of maintaining flow of sewage through construction will not be paid for directly and this cost shall be considered as subsidiary to the other pay items of work.
8. The Contractor shall be responsible for preserving property trees. The Contractor will be required to re-establish any property trees which are damaged or destroyed by his construction operations. Such trees shall be re-established by a licensed land surveyor in accordance with state laws.
9. All areas disturbed by construction operations shall be seeded and mulched per AR-78.



**BENCHMARK:**

R.R. Spike in the E. side of the High Line Plot 1667.86 feet N. & 51.57 feet W. of the C's of Pawnee Ave. & Webb Rd. Elev. = 190.70 (City Datum)

Scale: 1" = 150'

**INDEX:**

- |   |                         |
|---|-------------------------|
| 1 | Title Sheet             |
| 2 | Line 1                  |
| 3 | Standard Manhole Detail |
| 4 | Copy of Plat            |

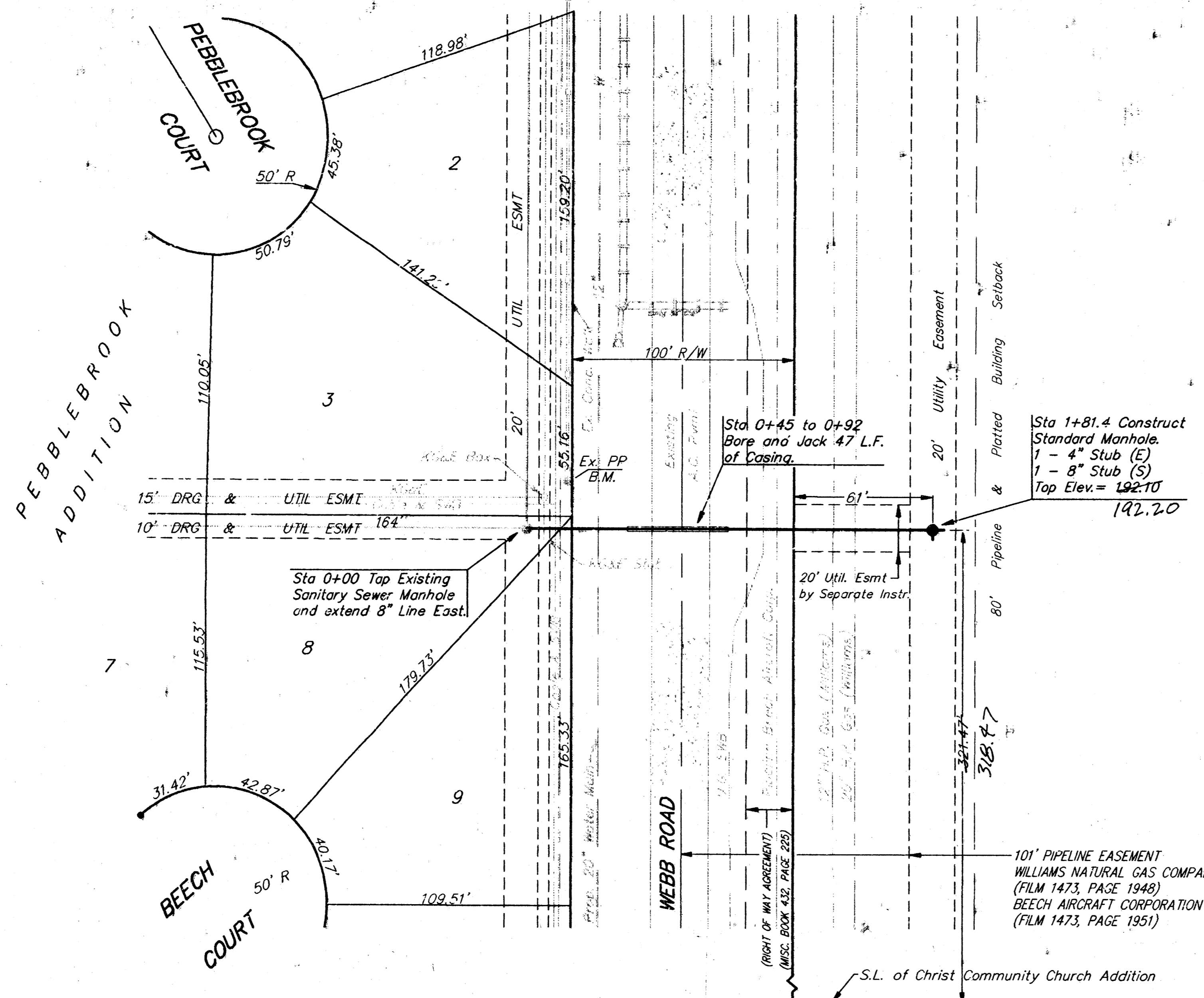
Booked 10-18-95  
RD-  
As Per Plat

Benefit District:



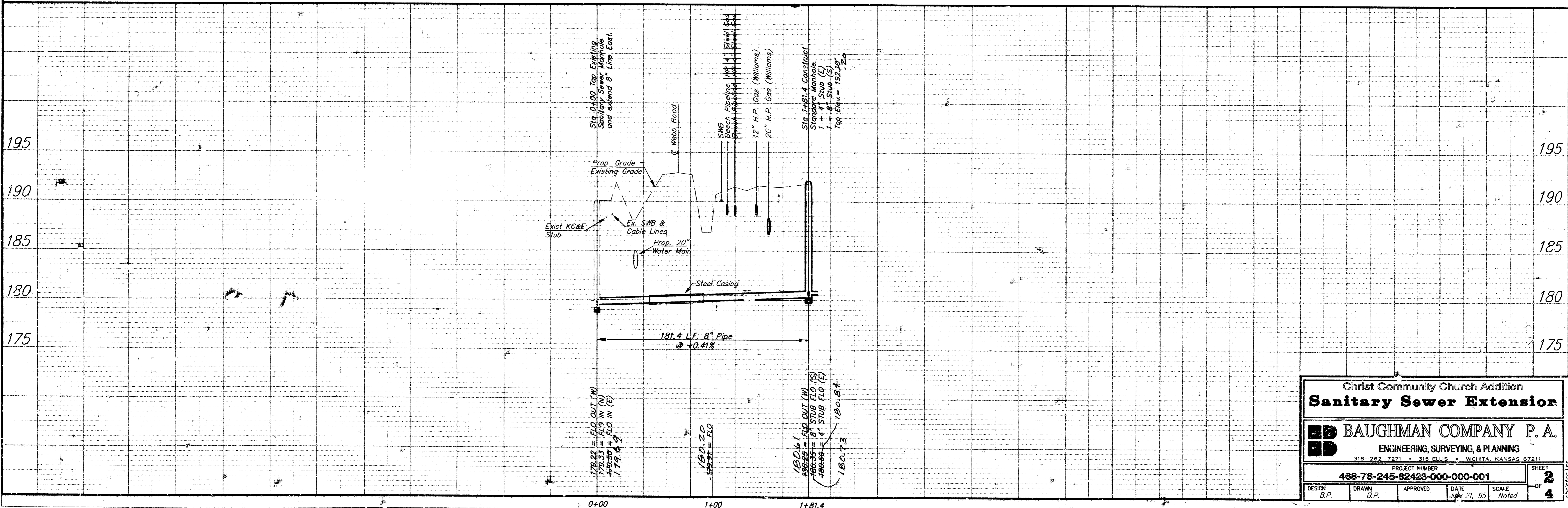
**BAUGHMAN COMPANY P. A.**  
ENGINEERING & SURVEYING  
316/262-7271 • 315 ELLIS • WICHITA, KANSAS 67211

Bench Mark:  
R.R. Spike in the E. side of the High Line  
Plot 1667.86 feet N. & 51.57 feet W. of  
the C's of Pawnee Ave. & Webb Rd.  
Elev. = 190.70 (City Datum)



SCALE:  
1" = 40' HORIZONTAL  
1" = 5' VERTICAL  
● = IRON

CHRIST COMMUNITY  
CHURCH ADDITION



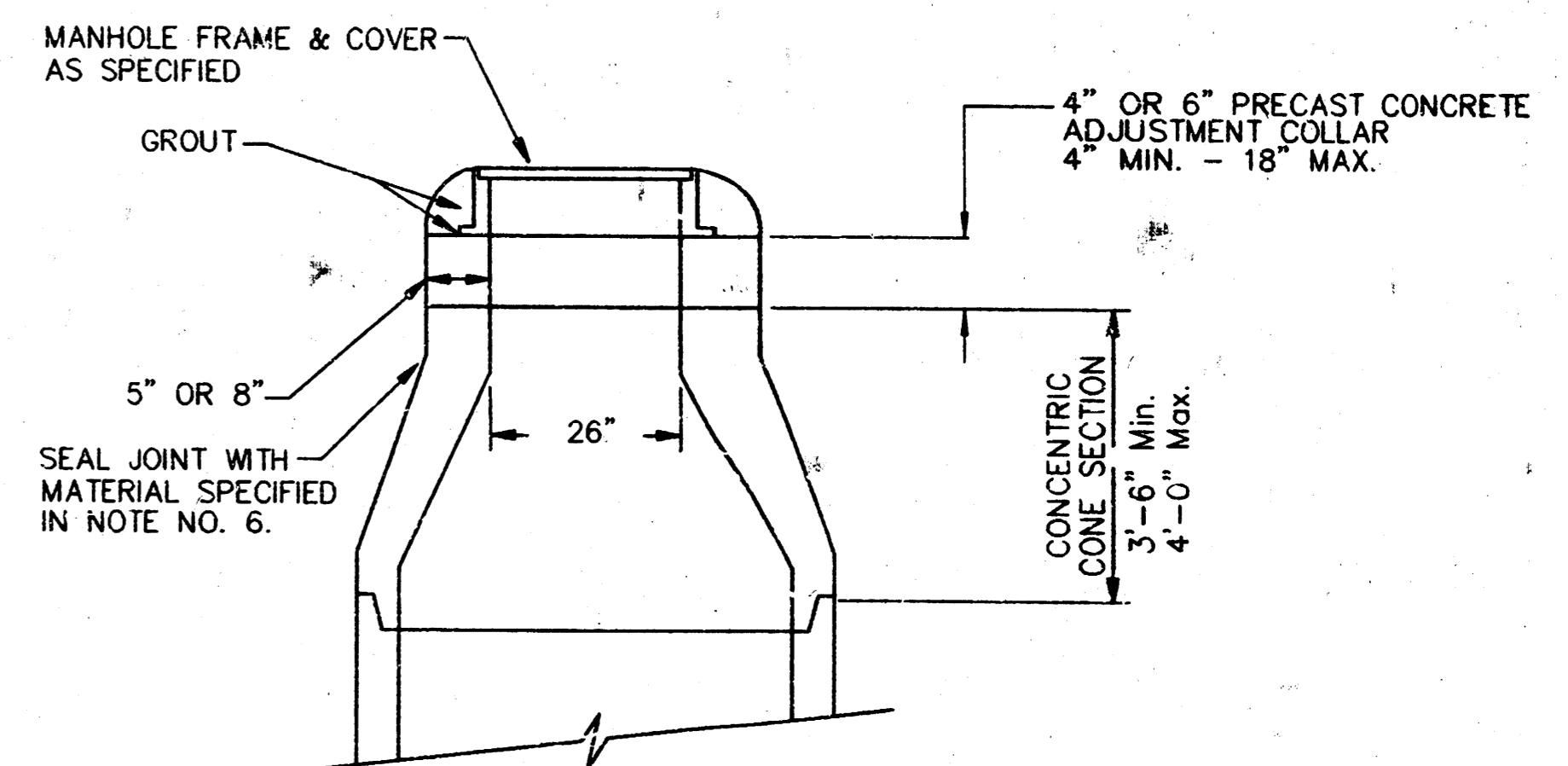
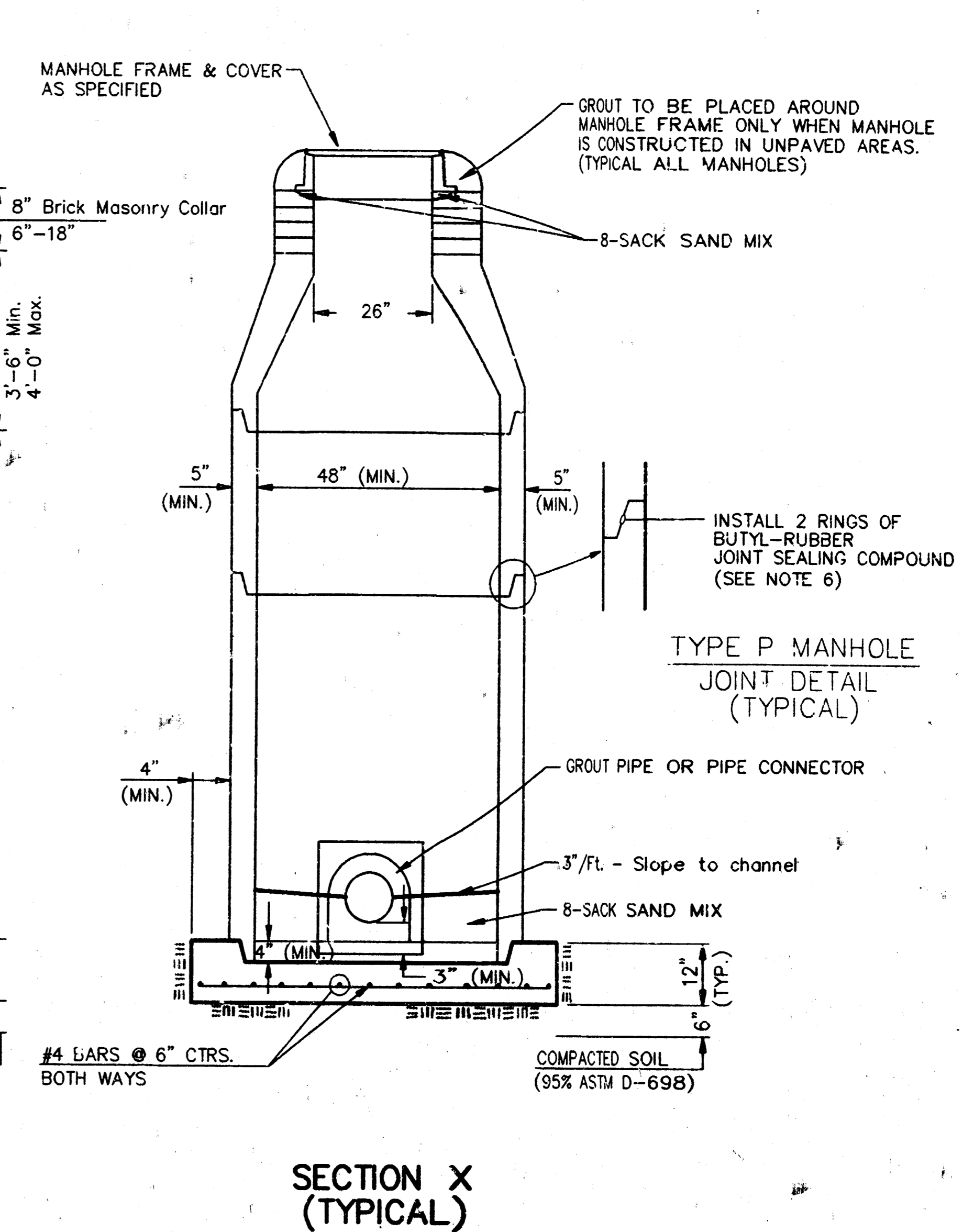
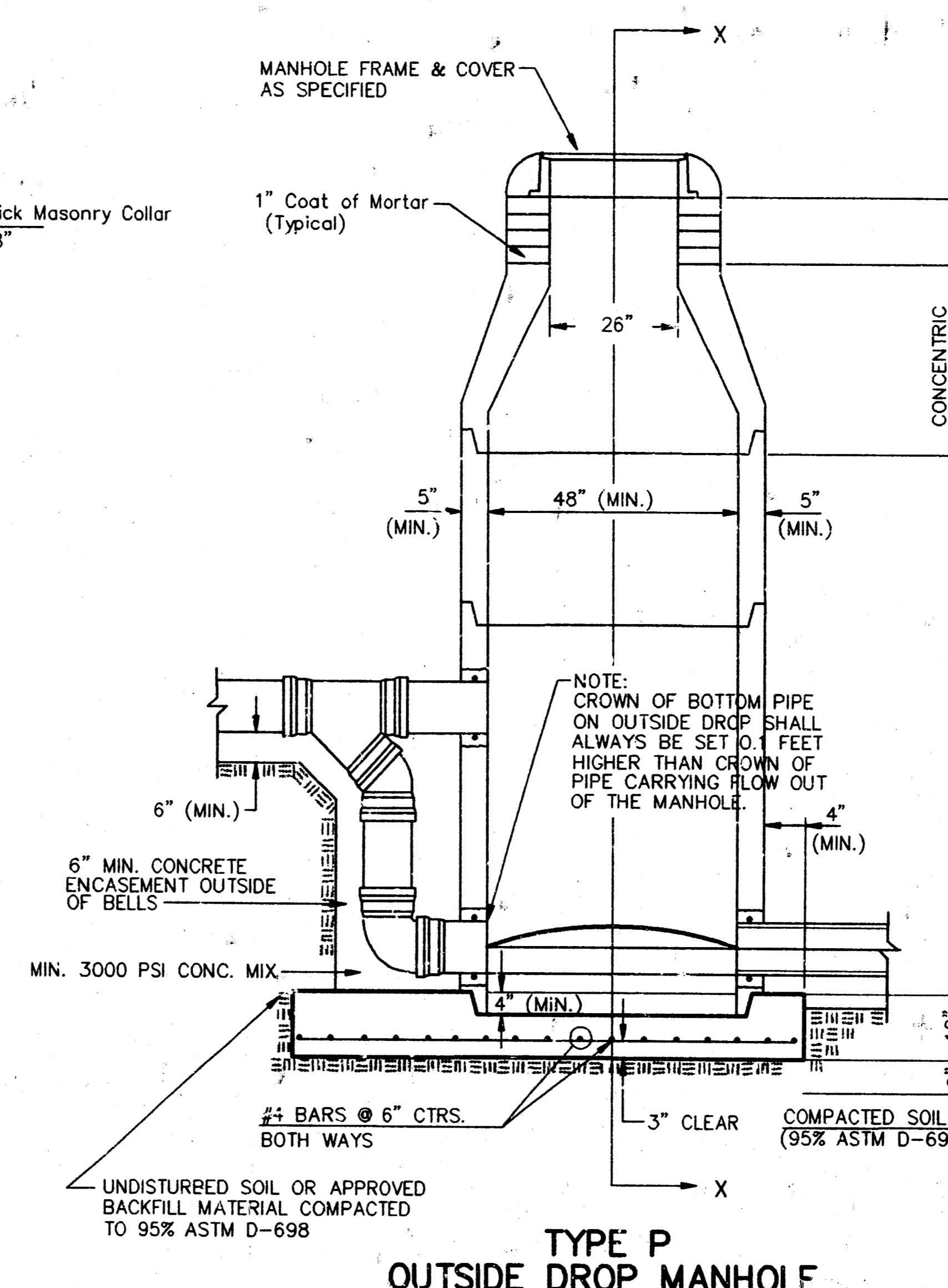
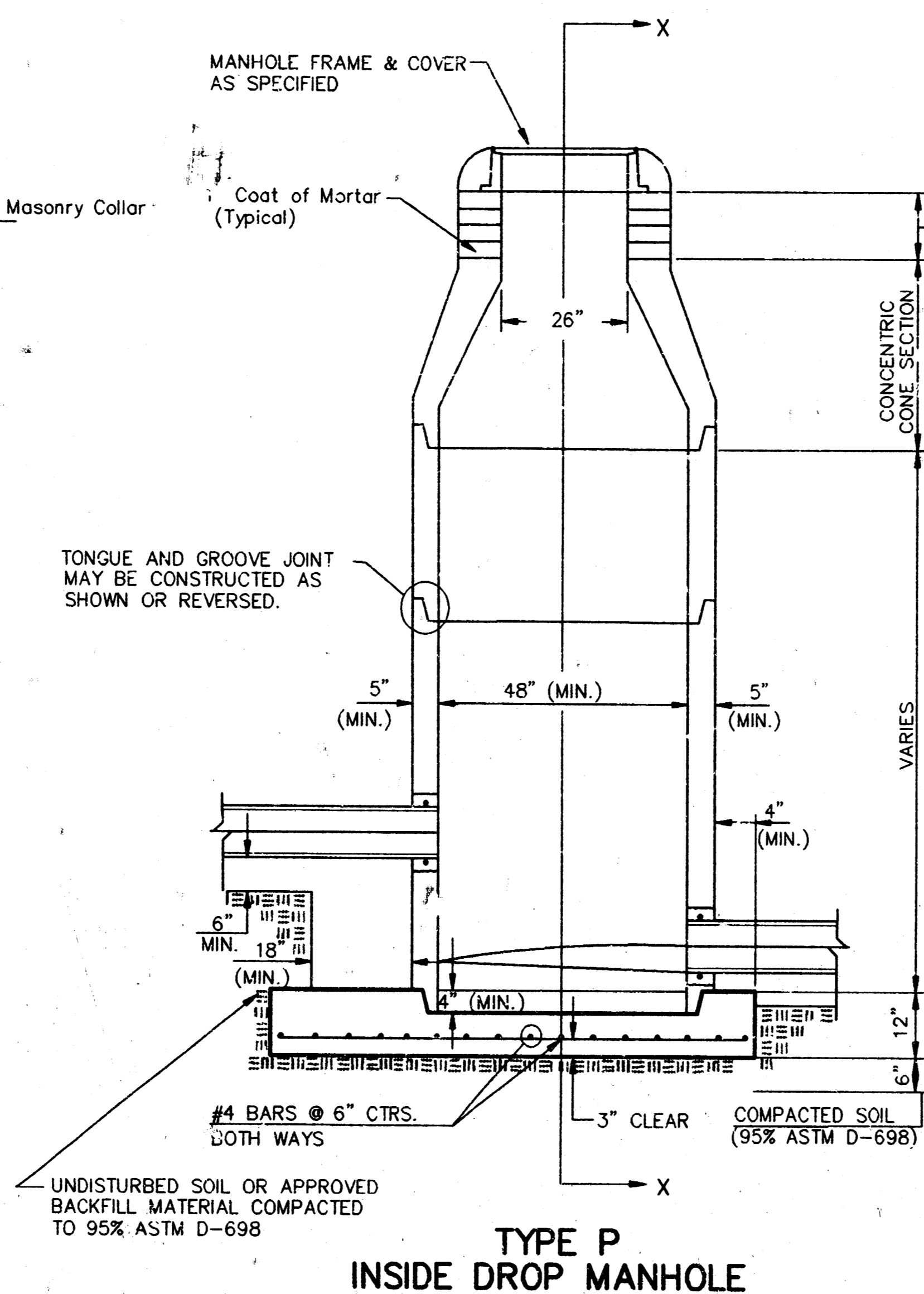
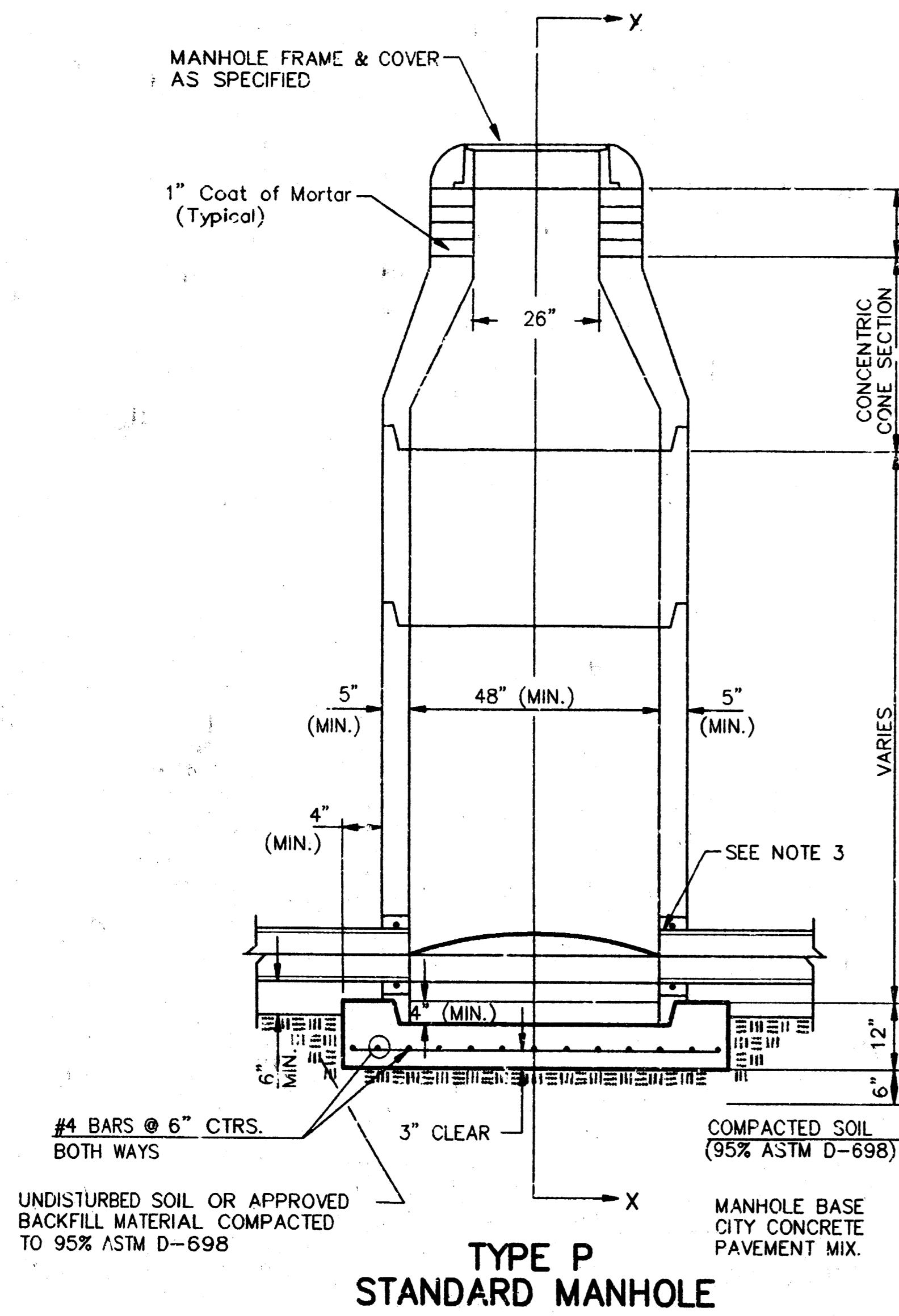
Christ Community Church Addition  
**Sanitary Sewer Extension**

**BAUGHMAN COMPANY P. A.**  
ENGINEERING, SURVEYING, & PLANNING  
316-262-7271 • 315 ELLIS • WICHITA, KANSAS 67211

PROJECT NUMBER  
**488-76-245-82423-000-000-001**

DESIGN B.P.	DRAWN B.P.	APPROVED	DATE July 21, 95	SCALE Noted	SHEET 2 OF 4
----------------	---------------	----------	---------------------	----------------	-----------------------

# SEWER APPURTENANCES DETAILS



- GENERAL NOTES**
- PRECAST MANHOLE NOTES**
- ALL PRECAST CONCRETE MANHOLE SECTIONS SHALL CONFORM TO THE LATEST REVISIONS OF A.S.T.M. C478 AS MODIFIED BY THE SPECIFICATIONS.
  - NON-SHRINK GROUT SHALL BE NON-METALLIC TYPE.
  - APPROVED FLEXIBLE WATERSTOP GASKETS SHALL BE INSTALLED TO JOIN THE SEWER TO THE MANHOLE WALL WHEN A.B.S. COMPOSITE PIPE OR P.V.C. PIPE IS USED. FOR OTHER TYPES OF PIPE THE SEWER SHALL BE GROUTED IN PLACE WITH NON-SHRINK GROUT. THE SEWER PIPE SHALL BE SUPPORTED WITH CONCRETE ENCASEMENT A MINIMUM OF 3 FEET FROM THE MANHOLE WALL AND TO THE FIRST JOINT FOR V.C.P. SUCH THAT THE JOINT REMAINS FLEXIBLE.
  - ALL INSIDE SURFACES OF THE CONCRETE MANHOLE WHICH WOULD BE EXPOSED TO SEWER GAS SHALL BE COATED WITH 2 COATS NEMEC SERIES 66 HI-BUILD EPOXOLINE, DRY THICKNESS OF 6 MILS (MIN.)
  - EXTERIOR MANHOLE WALLS SHALL BE COATED WITH 1 COAT MOBILARMA 633 BITUMINOUS COATING.
  - JOINT SEALING COMPOUND SHALL BE KENT SEAL NO. 2 OR APPROVED EQUAL.
  - PRECAST MANHOLES SHALL BE SET AT LEAST 4 INCHES INTO THE MANHOLE BASE.
  - TOP OF MANHOLE FLOOR SLAB SHALL BE AT LEAST 3 INCHES BELOW THE FLOW LINE OF THE OUTLET PIPE TO INSURE SUFFICIENT MINIMUM THICKNESS OF SHAPED INVERT.
  - LIFTING HOLES SHALL BE FILLED WITH NON-SHRINK GROUT AND THE INTERIOR SURFACE COATED AS SPECIFIED.
  - MORTAR USED IN MASONRY CONSTRUCTION SHALL CONTAIN 3 SACKS OF CEMENT PER CUBIC YARD. CONCRETE USED IN MANHOLE BASES SHALL CONFORM TO THE REQUIREMENTS OF CONCRETE FOR CONCRETE PAVEMENT CONSTRUCTION AS SPECIFIED IN THE CITY STANDARD PAVING SPECIFICATIONS USING CITY CONCRETE PAVEMENT MIX WITHOUT AIR ENTRAINING ADMIXTURE. MORTAR SHALL BE PLACED AROUND THE MANHOLE RING AS SHOWN ON THE DRAWINGS WHEN MANHOLES ARE CONSTRUCTED IN UNPAVED AREAS. MANHOLES CONSTRUCTED WHERE PIPE SIZES ARE SMALLER THAN 24" SHALL HAVE AN INSIDE DIAMETER OF 4". MANHOLES CONSTRUCTED WHERE PIPE SIZES ARE 24" OR LARGER SHALL HAVE AN INSIDE DIAMETER OF 5". COMPLETED MANHOLE SHALL BE WITHOUT LEAKS AND WATER TIGHT.

- REINFORCING STEEL SHALL BE INSTALLED IN THE MANHOLE BASES AND SHALL CONSIST OF NO. 4 BARS PLACED ON 6" CENTERS IN BOTH DIRECTIONS. THE MANHOLE BASE REINFORCEMENT SHALL BE PLACED AT LEAST 3" ABOVE THE BOTTOM OF THE MANHOLE BASE. ALL COSTS FOR FURNISHING AND INSTALLING REINFORCING STEEL SHALL BE INCLUDED IN THE UNIT PRICE BID FOR THE MANHOLE.
- OPENINGS SHALL BE CUT INTO THE MANHOLE WALL WHEN OUTSIDE DROPS ARE CONSTRUCTED ON EXISTING MANHOLES. SUCH OPENINGS CUT INTO EXISTING MANHOLES SHALL BE AS SMALL AS PRACTICAL TO FACILITATE INSTALLING AND GROUTING THE NEW PIPE IN PLACE. WATERSTOP GASKETS SHALL BE USED WITH P.V.C. AND A.B.S. COMPOSITE PIPE. THE NEW PIPE SHALL BE GROUTED INTO THE OPENING USING AN APPROVED NONSHRINK GROUT FOR THE FULL MANHOLE WALL THICKNESS. THE EXTERIOR OF THE COMPLETED CONNECTION SHALL BE SEALED WITH AN APPROVED BITUMINOUS COATING SUCH THAT THE CONNECTION WILL BE WATER TIGHT. FLOOR OF MANHOLE SHALL BE MODIFIED TO FORM NEW FLOW CHANNEL FOR THE NEW CONNECTION AS INDICATED BY THE DRAWING. THIS WORK, INCLUDING MODIFICATION OF MANHOLE FLOOR, SHALL BE PAID FOR AT THE UNIT PRICE BID FOR OUTSIDE DROP STACK CONSTRUCTED ON EXISTING MANHOLE.
- THE FLOORS OF ALL MANHOLES SHALL BE SHAPED WITH FLOW CHANNELS SUCH THAT THE MANHOLES WILL BE SELF CLEANING AND FREE OF AREAS WHERE SOLIDS COULD BE DEPOSITED AS SEWAGE FLOWS THROUGH THE MANHOLE FROM ALL INLET PIPES TO THE OUTLET PIPE. FLOW CHANNELS SHALL BE FORMED TO MATCH THE BOTTOM HALVES OF THE INFLOWING PIPES AND THE OUTFLOWING PIPE AS SHOWN BY THE DRAWINGS EXCEPT FOR INSIDE DROP MANHOLES. FLOW CHANNELS FOR INSIDE DROP MANHOLES SHALL BE CONSTRUCTED AS INDICATED BY THE DRAWING. MANHOLE FLOORS SHALL HAVE SLOPES OF 3 INCHES PER FOOT IN THE AREAS OUTSIDE OF THE FLOW CHANNELS SLOPED TOWARD THE FLOW CHANNELS. PIPES LAID THROUGH MANHOLES SHALL HAVE THE TOP HALF REMOVED TO NEAT LINES FOR THE FULL INSIDE DIAMETER OF THE MANHOLE. MANHOLE FLOORS SHALL THEN BE SHAPED AROUND THE BOTTOM HALF OF THE PIPE WHICH FORMS THE FLOW CHANNEL.
- PIPES INSTALLED WITHIN THE EXCAVATION MADE FOR THE MANHOLE SHALL BE CRADLED WITH CONCRETE TO THE LIMITS OF THE MANHOLE EXCAVATION. WHEN CLAY PIPE IS USED, THE CRADLE SHALL EXTEND TO THE FIRST JOINT OUTSIDE THE MANHOLE. THE CRADLE SHALL BE TERMINATED AT THE CLAY PIPE JOINT IN A MANNER WHICH WILL MAINTAIN THE FLEXIBILITY OF THE JOINT. COST OF CRADLE WITHIN MANHOLE EXCAVATION OR TO CLAY PIPE JOINTS ADJACENT TO MANHOLE SHALL BE INCLUDED IN THE UNIT PRICE BID FOR THE MANHOLE.

- MANHOLE COVER CASTINGS AND MANHOLE FRAME CASTINGS SHALL CONFORM TO THE REQUIREMENTS AS INDICATED IN THE STANDARD SPECIFICATIONS AND AS SHOWN IN THE STANDARD DETAIL DRAWING.
- THE VERTICAL DROP IN INSIDE DROP MANHOLES SHALL NOT EXCEED 2' FOR INFLOWING PIPES SIZED 12" OR SMALLER AND 2' FOR INFLOWING PIPES LARGER THAN 12". THE CROWNS OF INFLOWING PIPES SHALL NEVER BE SET LOWER THAN THE CROWN OF THE OUTFLOWING PIPE.
- STANDARD MANHOLES AND STANDARD INSIDE DROP MANHOLES SHALL BE BID AS STANDARD MANHOLES FOR THE TYPE AND DIAMETER INDICATED. OUTSIDE DROP MANHOLES SHALL BE BID AS STANDARD OUTSIDE DROP MANHOLES FOR THE TYPE AND DIAMETER INDICATED. ALL MANHOLE DIAMETERS WILL BE 4" UNLESS INDICATED OTHERWISE.
- A BRICK MASONRY COLLAR SHALL BE INSTALLED BETWEEN THE CAST IRON FRAME AND THE CONCENTRIC CONE. THE COLLAR WILL HAVE 8" WALLS AND A VERTICAL HEIGHT OF 6" MINIMUM AND 18" MAXIMUM. A 1" COAT OF MORTAR WILL BE PLASTERED ON THE OUTSIDE OF THE COLLAR. THE USE OF PRE-CAST CONCRETE SPACERS FOR MANHOLE TOP ADJUSTMENT IS ALSO ALLOWED.

**CITY OF WICHITA, KANSAS**  
**STANDARD MANHOLE DETAILS**  
**SEWER APPURTENANCES DETAILS**

**BAUGHMAN COMPANY P. A.**  
 ENGINEERING, SURVEYING & PLANNING  
 316/262-7271 • 315 ELLIS • WICHITA, KANSAS 67211

REV. **NOV. 1993**

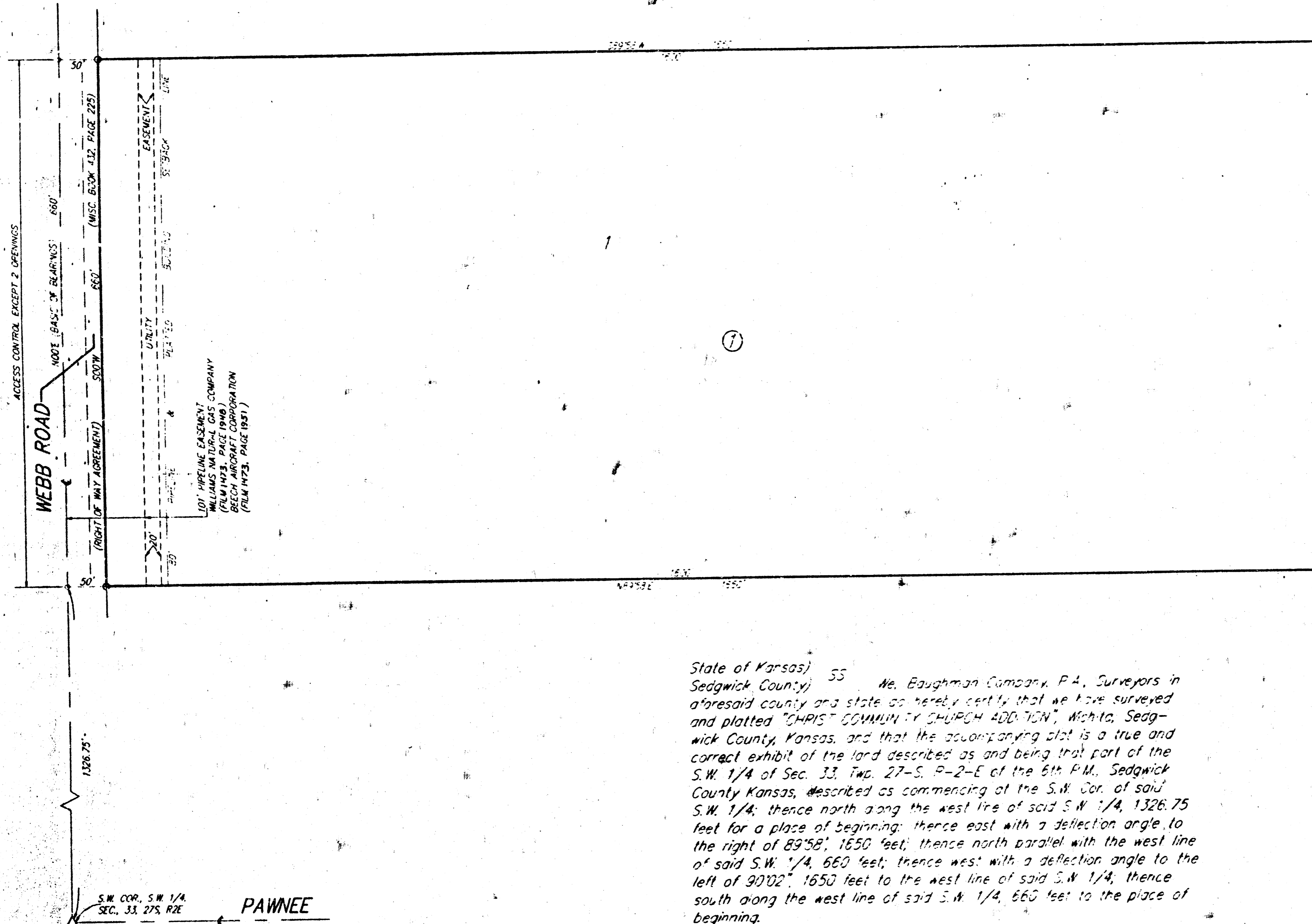
PROJECT NUMBER  
**488-76-245-82423-000-001**

DESIGN: \_\_\_\_\_ DRAWN: \_\_\_\_\_ APPROVED: \_\_\_\_\_ DATE: \_\_\_\_\_ SCALE: \_\_\_\_\_

SHEET **3** OF **4**

# CHRIST COMMUNITY CHURCH ADDITION

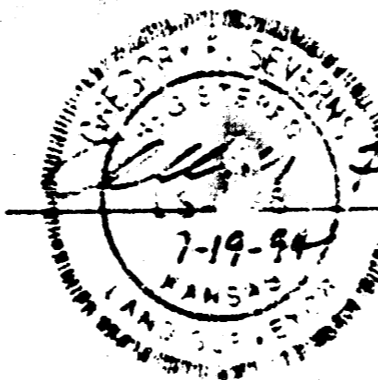
WICHITA, SEDGWICK COUNTY, KANSAS



State of Kansas) SS We. Baughman Company, P.A. Surveyors in  
Sedgwick County) and state do hereby certify that we have surveyed  
and platted "CHRIST COMMUNITY CHURCH ADDITION", Wichita, Sedgwick  
County, Kansas, and that the accompanying plat is a true and  
correct exhibit of the land described as and being that part of the  
S.W. 1/4 of Sec. 33, Twp. 27-S, R-2-E of the 6th P.M., Sedgwick  
County, Kansas, described as commencing at the S.W. cor. of said  
S.W. 1/4, thence north along the west line of said S.W. 1/4, 1326.75  
feet for a place of beginning; thence east with a deflection angle to  
the right of 89°58'16.50" feet; thence north parallel with the west line  
of said S.W. 1/4, 660 feet; thence west with a deflection angle to the  
left of 90°02'16.50" feet to the west line of said S.W. 1/4, thence  
south along the west line of said S.W. 1/4, 660 feet to the place of  
beginning.

Existing easements and dedications being vacated by virtue  
of K.S.A. 12-512(b).

Baughman Company, P.A.



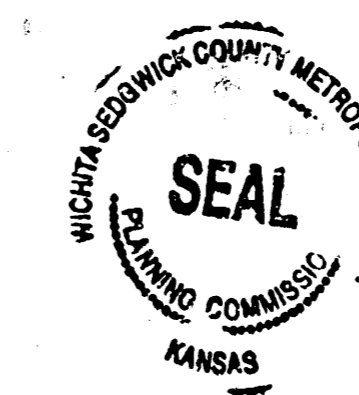
Gregory F. Severns  
Surveyor

Know all men by these presents that we, the  
undersigned, have caused the land described in the surveyors certificate  
to be platted into a lot and a block to be known as "CHRIST COMM-  
UNITY CHURCH ADDITION", Wichita, Sedgwick County, Kansas. The utility  
easement is hereby granted as indicated for the construction and  
maintenance of all public utilities. All abutting rights of access to and  
from Webb Road over and across the west line of Lot 1, Block 1, are  
hereby granted to the City of Wichita, Kansas provided, however, that  
Lot 1, Block 1, shall have access to Webb Road at two locations as shall  
be determined by the City Engineer of the City of Wichita, Kansas.  
The street is hereby dedicated to and for the use of the public.

Christ Community Church United Methodist

John Hanson  
Chairperson of the Board of Trustees

This plat of "CHRIST COMMUNITY CHURCH  
ADDITION", Wichita, Sedgwick County, Kansas has been submitted to and  
approved by the Wichita-Sedgwick County Metropolitan Area Planning  
Commission, Wichita, Kansas.  
Dated this 24th day of January, 1995.  
Wichita-Sedgwick County Metropolitan Area Planning Commission



James D. Miner  
Chairman

Marvin S. Kraut  
Secretary

This plat approved and all dedications shown  
hereon accepted by the City Council of the City of Wichita, Kansas,  
this 24 day of January, 1995

Elma Broadfoot  
Mayor

Pat Burnett  
Deputy City Clerk

Entered on transfer record this 24th day of  
January, 1995.



Susan E. Crockett-Spoon  
County Clerk

State of Kansas) SS This is to certify that this plat has been filed  
Sedgwick County) for record in the office of the Register of Deeds this 24th day of  
FEBRUARY, 1995 at 10:00 A.M., and is duly recorded.

Pat Kettler  
Register of Deeds

Patricia Phyllis Hernandez  
Deputy

State of Kansas) SS The foregoing instrument was acknowledged  
Sedgwick County) before me this 23rd day of January, 1994, by John Hanson,  
Chairperson of the Board of Trustees, Christ Community Church United  
Methodist, on behalf of the church.

Mildred E. Franz  
Notary Public  
My App'l Exp. 2-3-95

- = 1/2" REBAR W/ "BAUGHMAN" CAP (FOUND)
- = 3/4" IRON (FOUND)

BENCHMARK:  
R.R. SPIKE, E. SIDE P.P., 1667.9' N. &  
51.6' W. of PAWNEE & WEBB ROAD  
ELEV. = 1378.10 M.S.L. (190.70 CITY DATUM)

2000  
ck