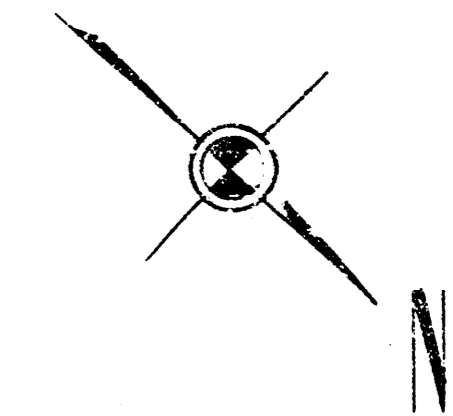


NOTE: PROVISIONS HAVE BEEN MADE FOR TEMPORARY REPAIR OF EXISTING PAVEMENT ON THIS PROJECT USING 4 INCHES OF ASPHALT. TEMPORARY REPAIR OF EXISTING PAVEMENT WILL DEPEND UPON THE COORDINATION OF THIS PROJECT WITH THE KANSAS HIGHWAY COMMISSION'S PAVING PROJECT. THE TEMPORARY REPAIR OF EXISTING PAVEMENT MAY BE DELETED IF THIS PROJECT CAN BE SATISFACTORILY COORDINATED WITH THE KANSAS HIGHWAY COMMISSION PAVING PROJECT.

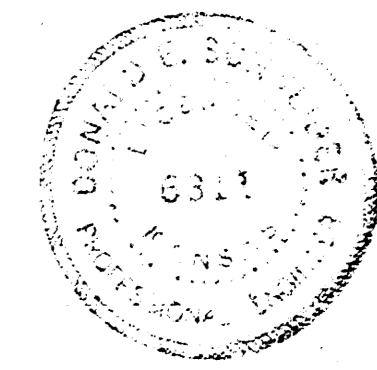
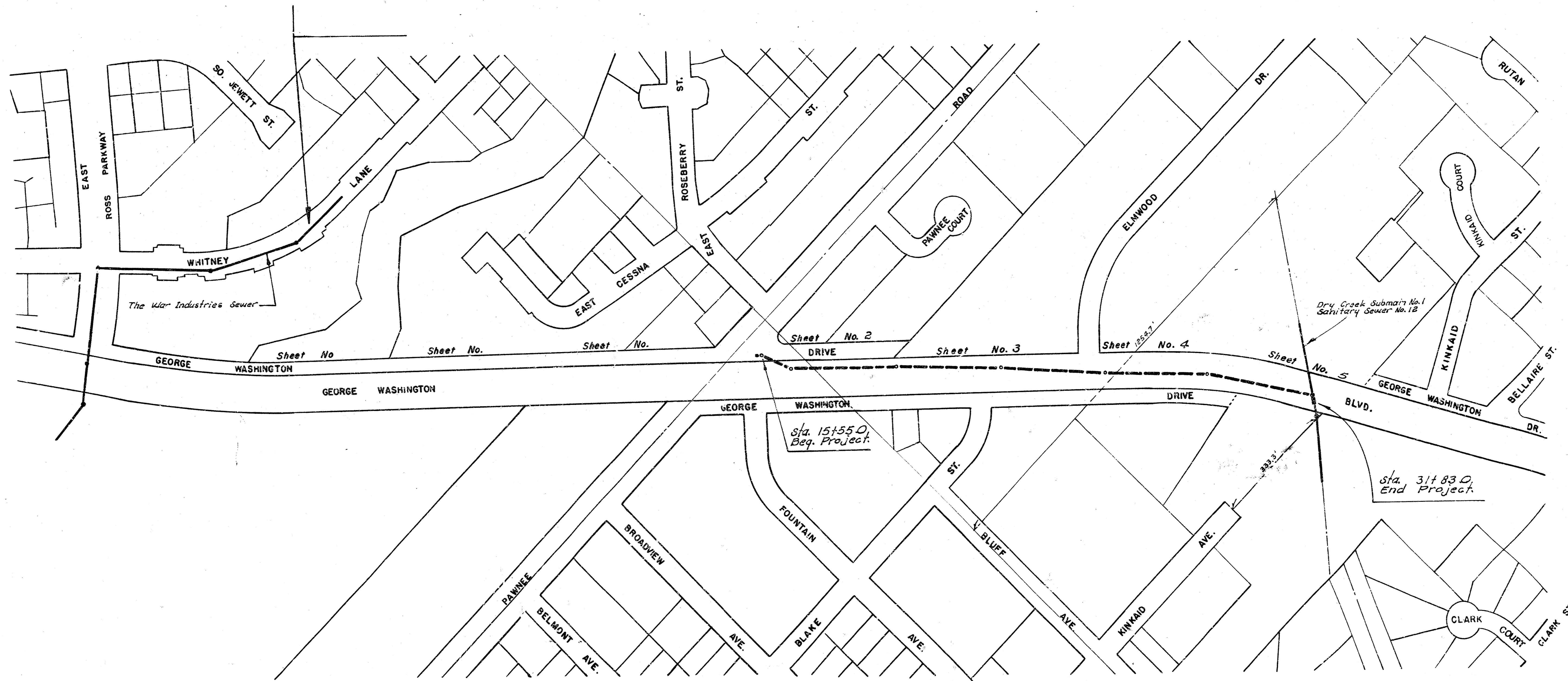
ALTER, REPAIR, RECONSTRUCT OR CONSTRUCT A SEWER TO SUPPLEMENT DRY CREEK SUBMAIN 1, S. S. NO. 12

ALONG GEO. WASHINGTON BLVD. FROM PAWNEE AVE. TO A POINT 300 FT. SOUTH OF KINKAID ST.

CITY OF WICHITA, KANSAS
R. W. LINN — CITY ENGINEER
MAY 1974, PROJECT NO. DBKM 573011

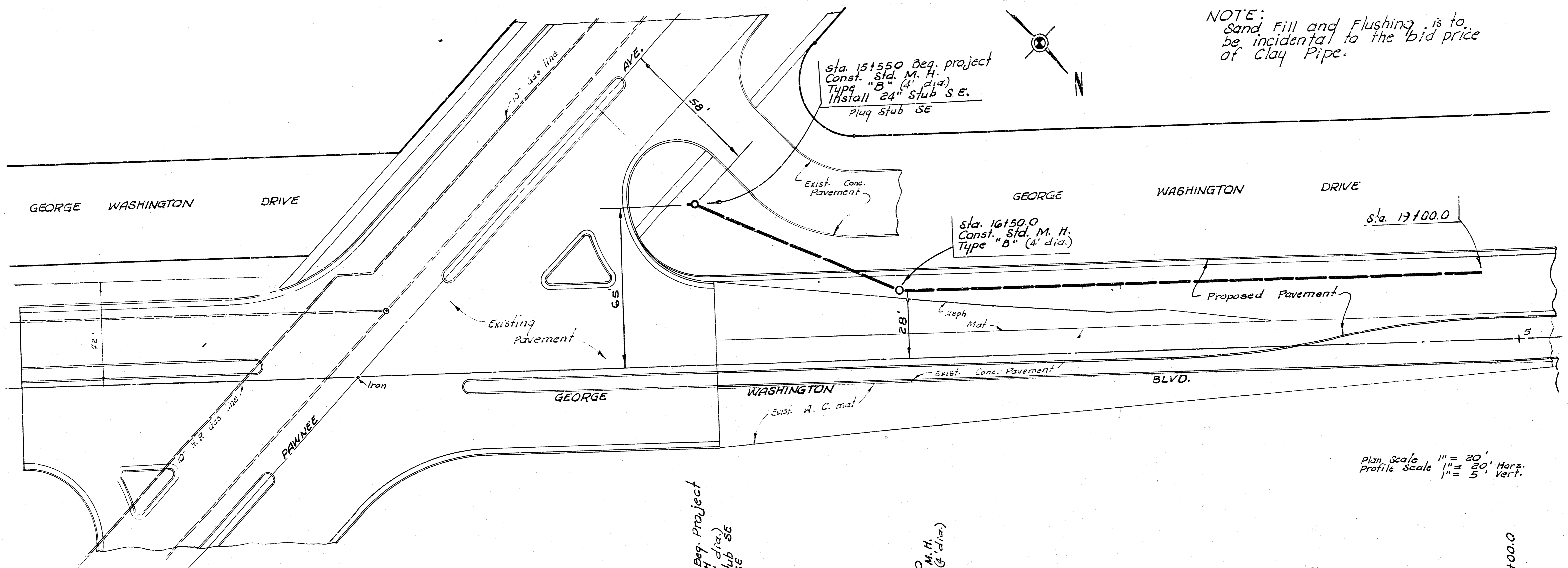


SCALE 1" = 150'



MAY 1974
PROJECT - NO. DBKM 573011





NOTE:
Sand Fill and Flushing is to be incidental to the bid price of Clay Pipe.

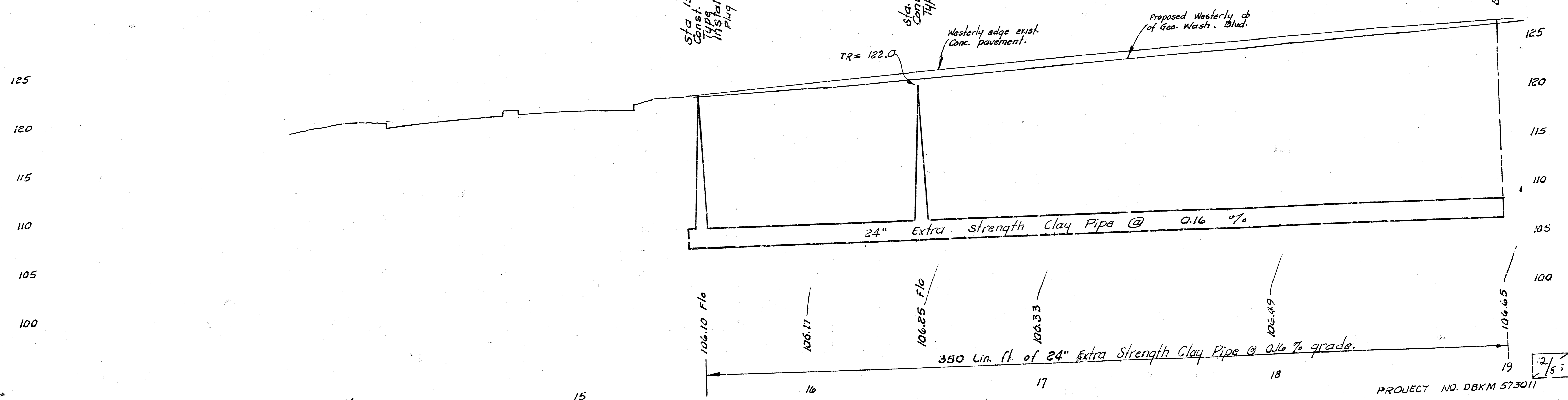
Sta. 15+550 Beg. Project
Const. Std. M. H.
Type "B" (4" dia.)
Install 24" Stub S.E.
Plug Stub S.E.

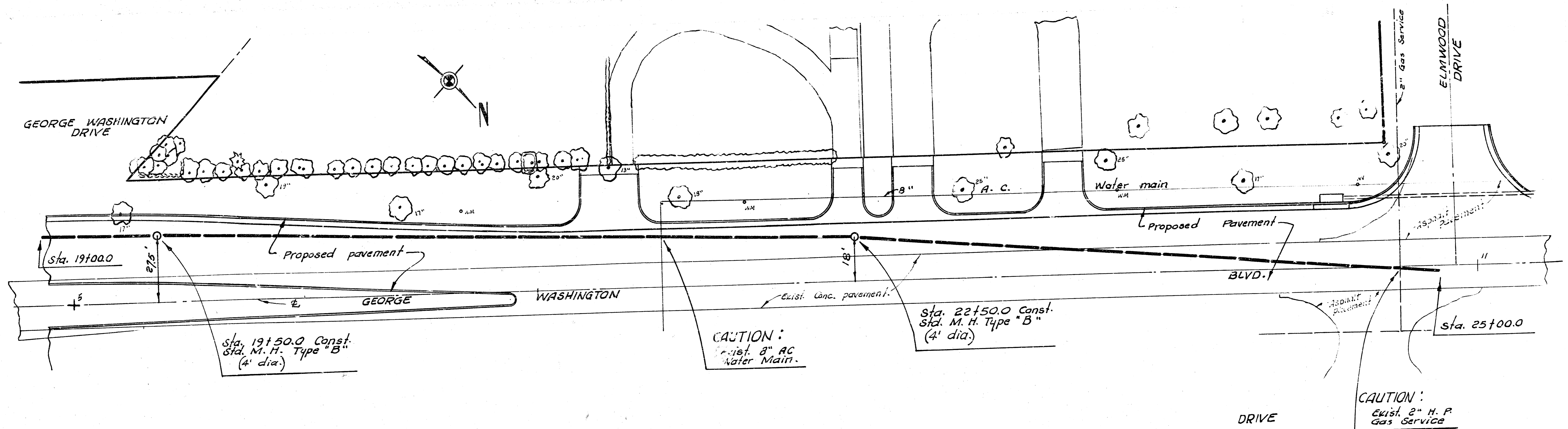
Sta. 16+50.0
Const. Std. M. H.
Type "B" (4" dia.)

Sta. 15+550 Beg. Project
Const. Std. M. H.
Type "B" (4" dia.)
Install 24" Stub S.E.
Plug Stub S.E.

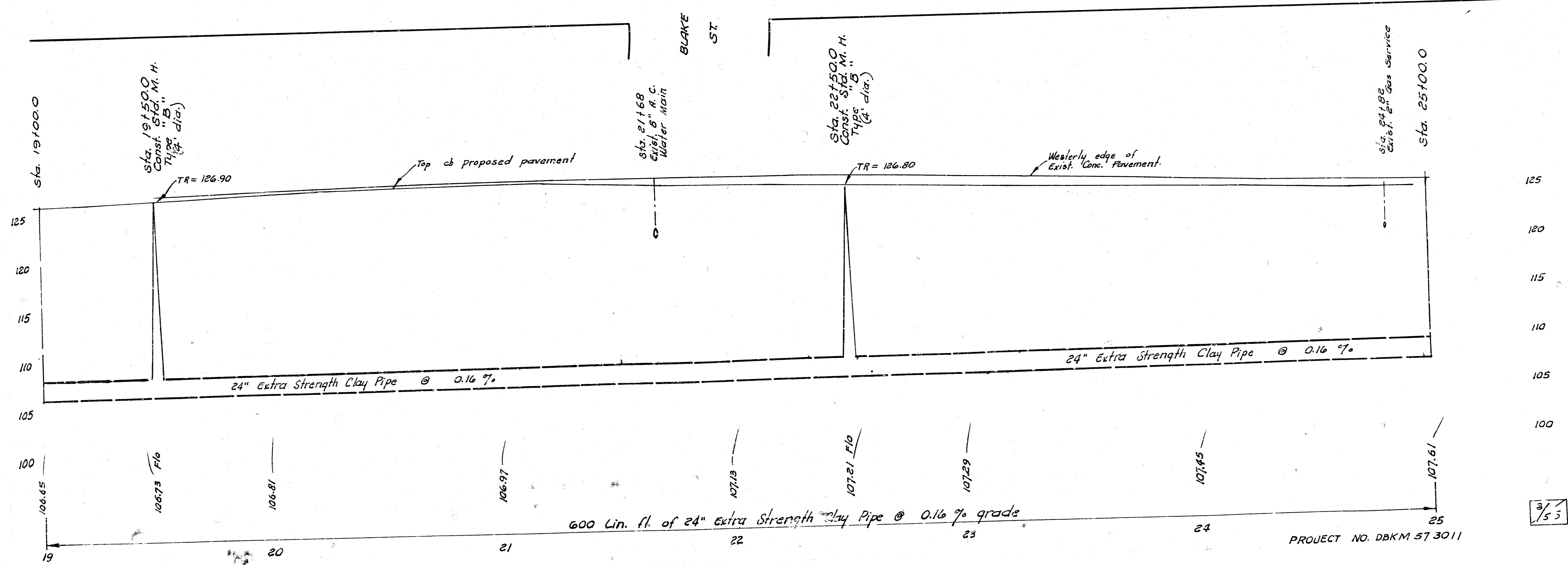
Sta. 16+50.0 M. H.
Const. Std. M. H.
Type "B" (4" dia.)

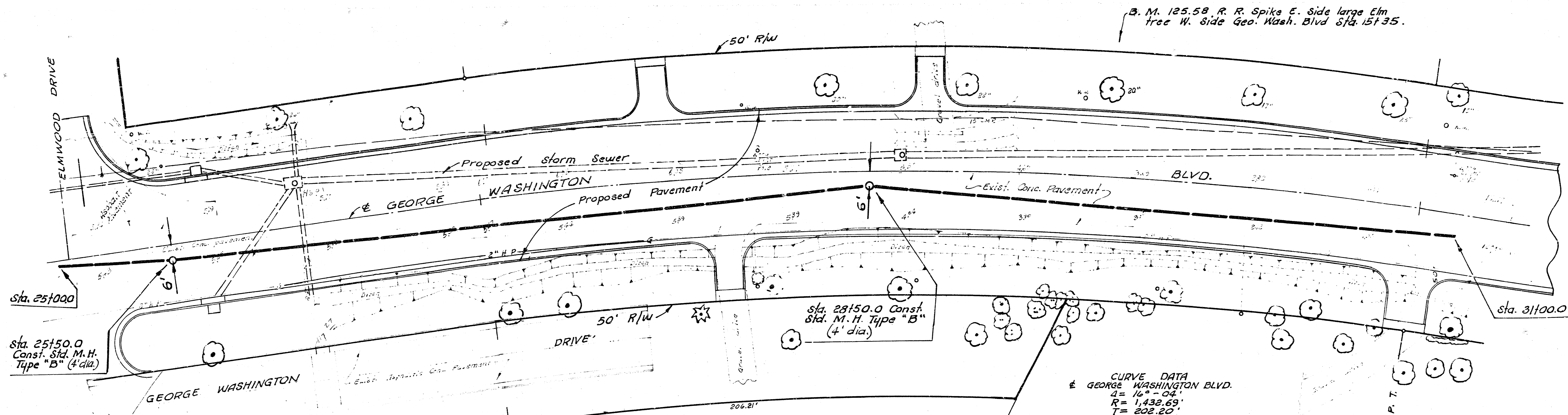
Plan Scale 1" = 20'
Profile Scale 1" = 20' Horiz.
1" = 5' Vert.



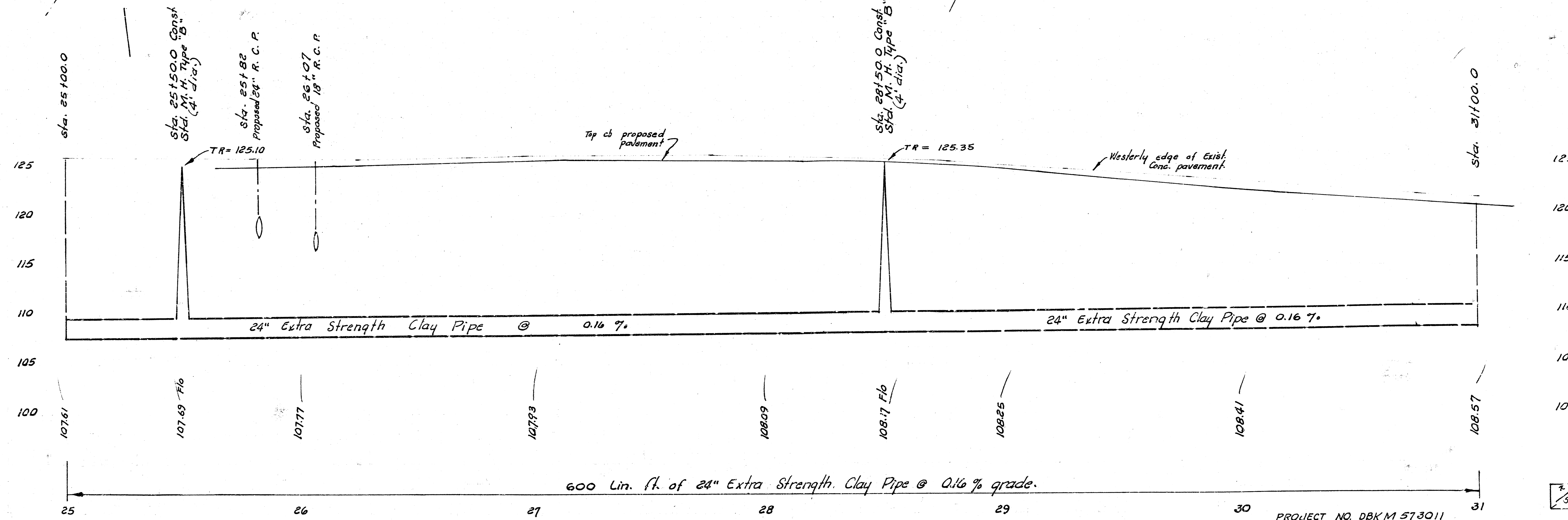


B. M. 128.02 R.R. Spike
W. side Wood Street
Light Pole E. side Geo.
Wash. Blvd. approx.
115' S. of S. line of
Blake St.



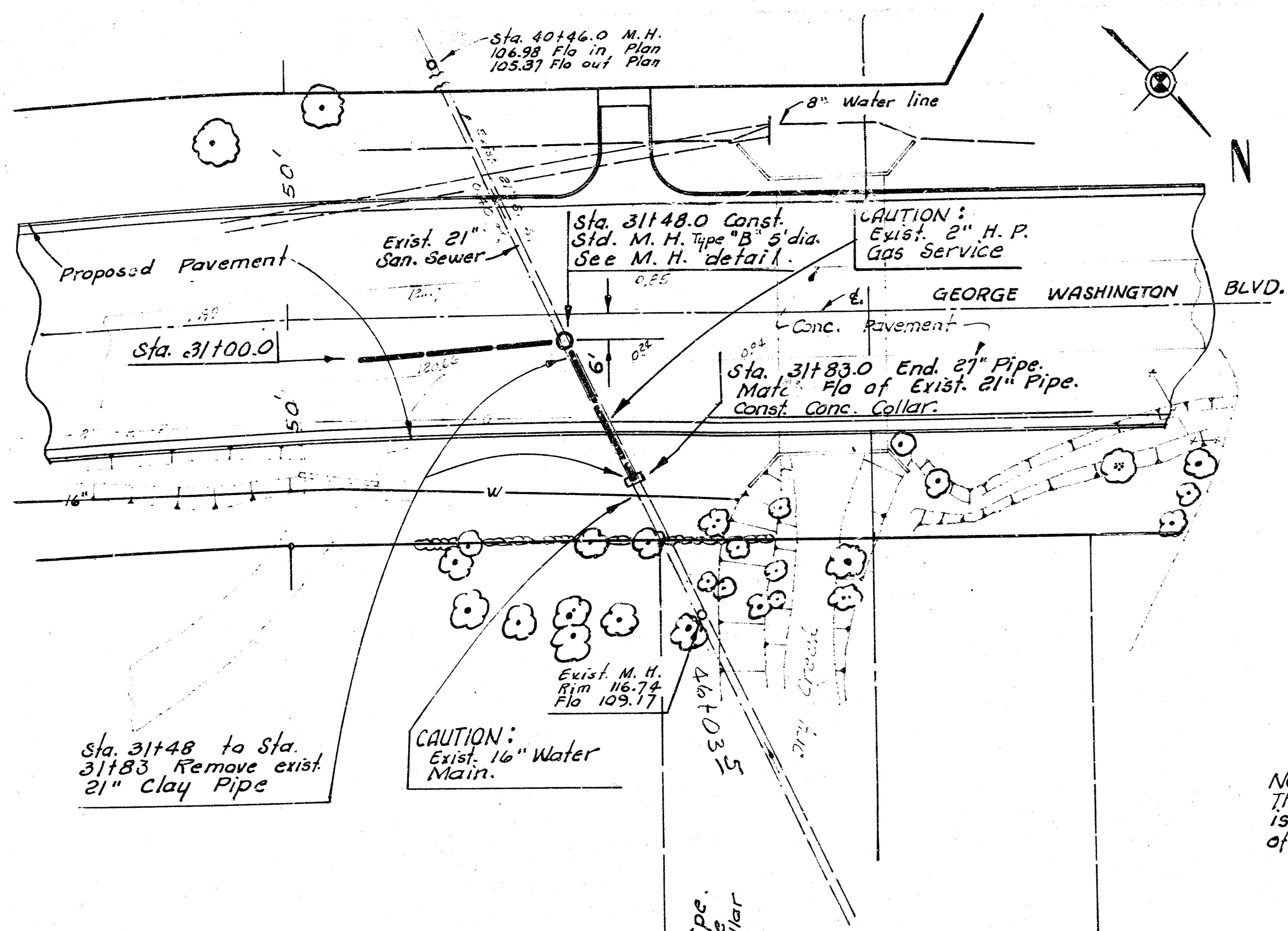


CURVE DATA
 GEORGE WASHINGTON BLVD.
 $\Delta = 16^{\circ} - 04'$
 $R = 1,432.69'$
 $T = 202.20'$
 $L = 400.11'$



PROJECT NO. DBK M 573011

7/55

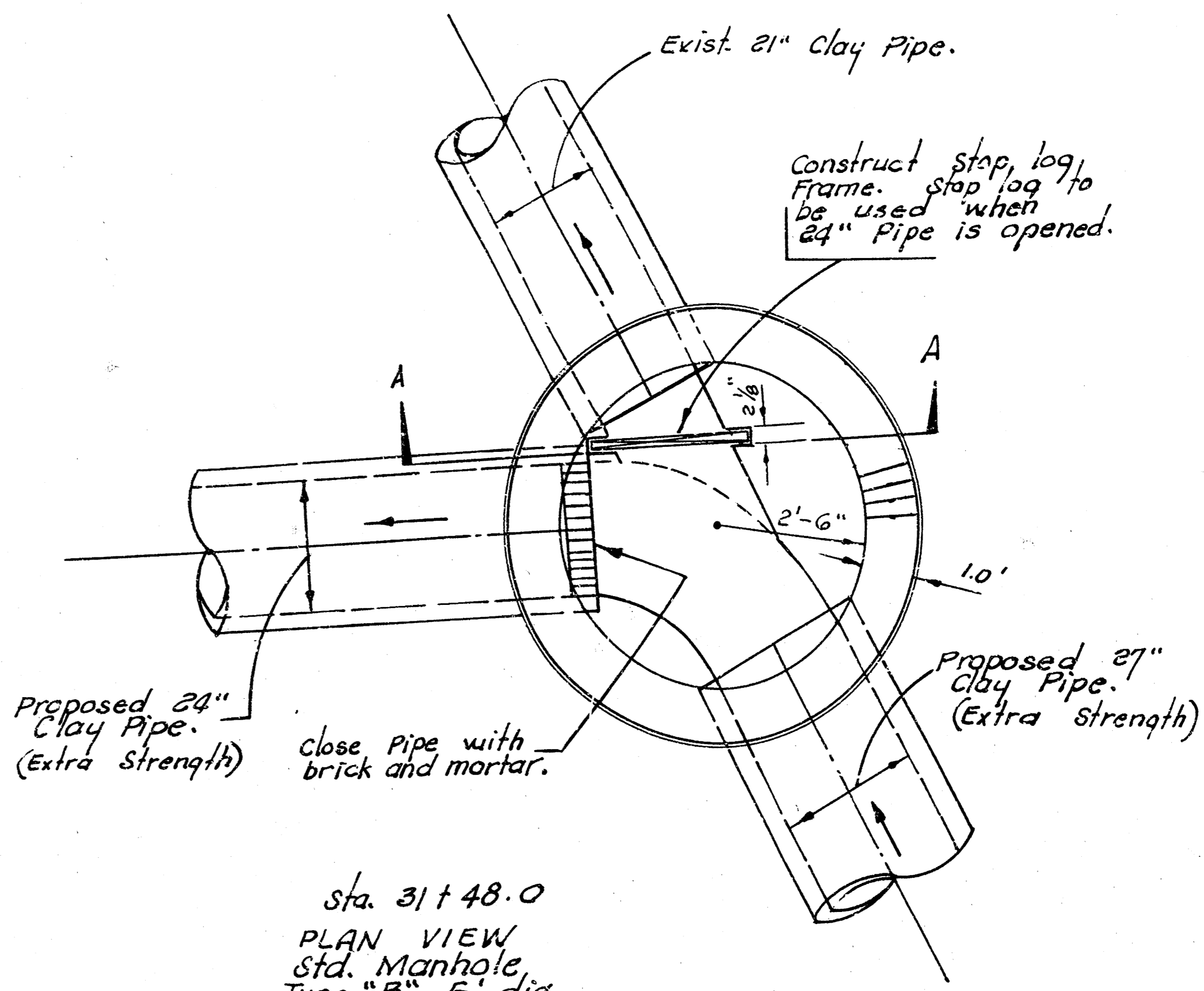


Sta. 31148 to Sta. 31183 Remove exist. 21" Clay Pipe

CAUTION: Exist. 16" Water Main.

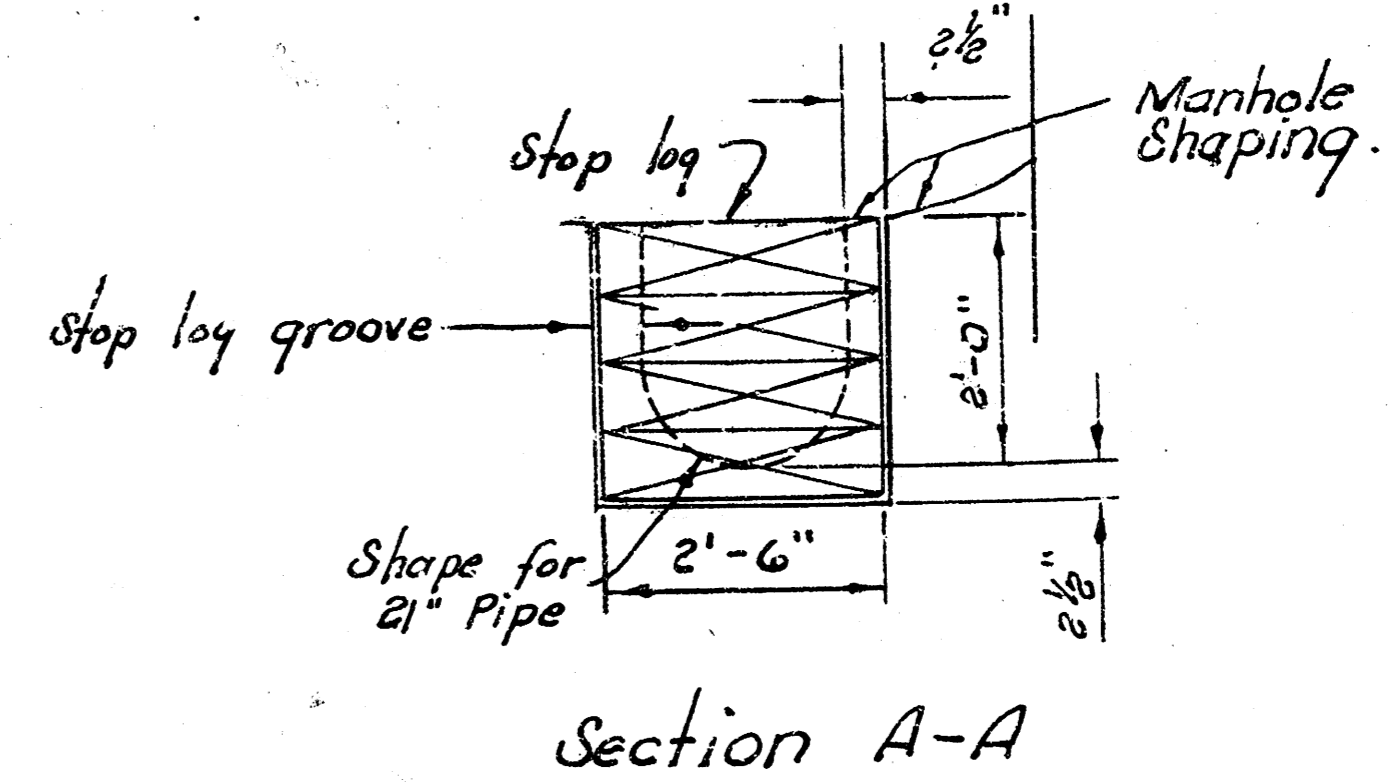
CAUTION: Exist. 2" H.P. Gas Service

NOTE: The conc. collar at Sta. 31183.0 is to be incidental to the bid price of Clay Pipe.

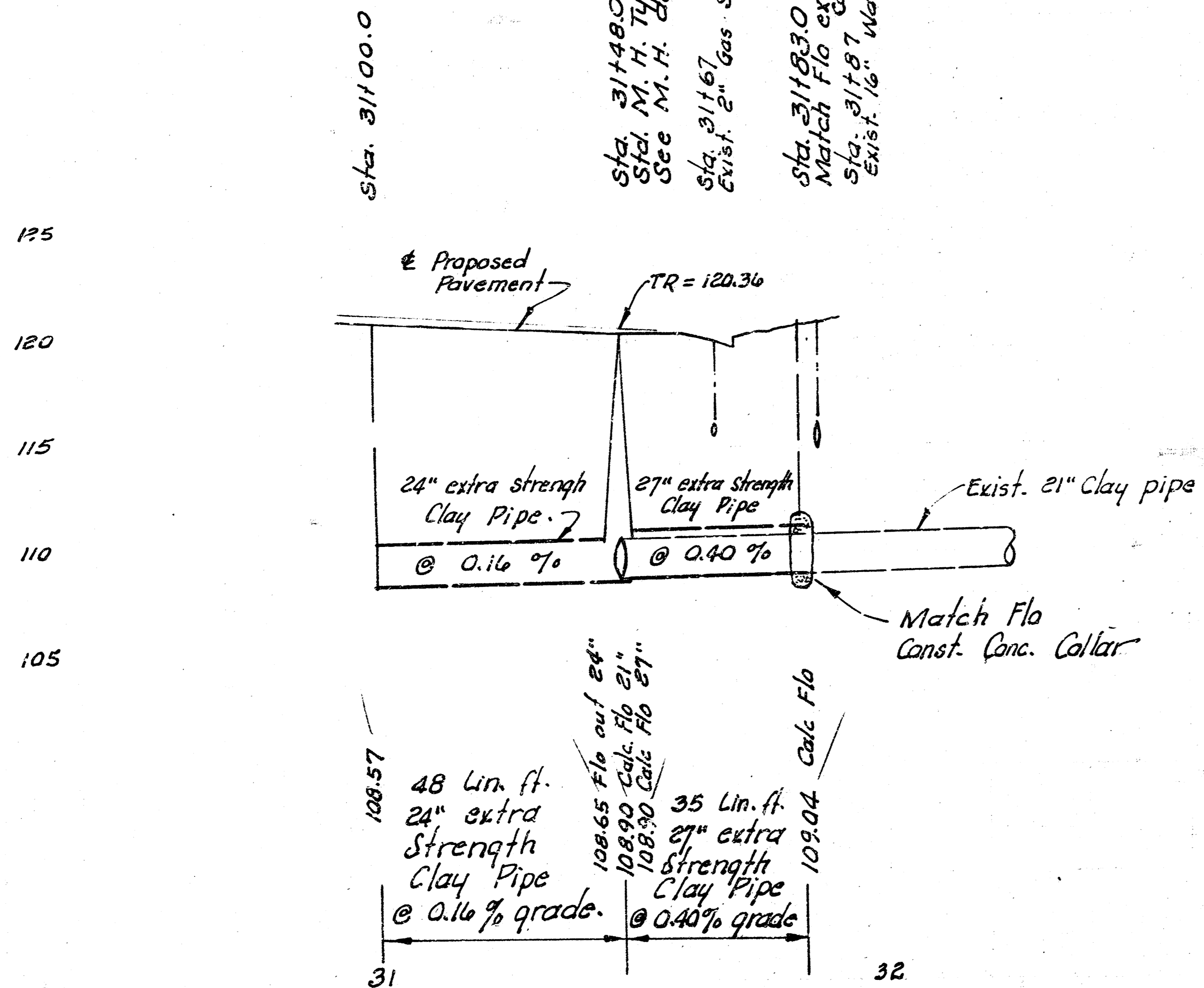


Sta. 31148.0
PLAN VIEW
Std. Manhole
Type "B" 5' dia.

Stop logs to be 4 - 2' x 2'-6" rough cut Greasote boards.



Section A-A



48 Lin. ft. 24" extra strength Clay Pipe @ 0.16% grade.

35 Lin. ft. 27" extra strength Clay Pipe @ 0.40% grade.

PROJECT NO. DBKM 573Q11

5/155

FILMED FROM THE BEST