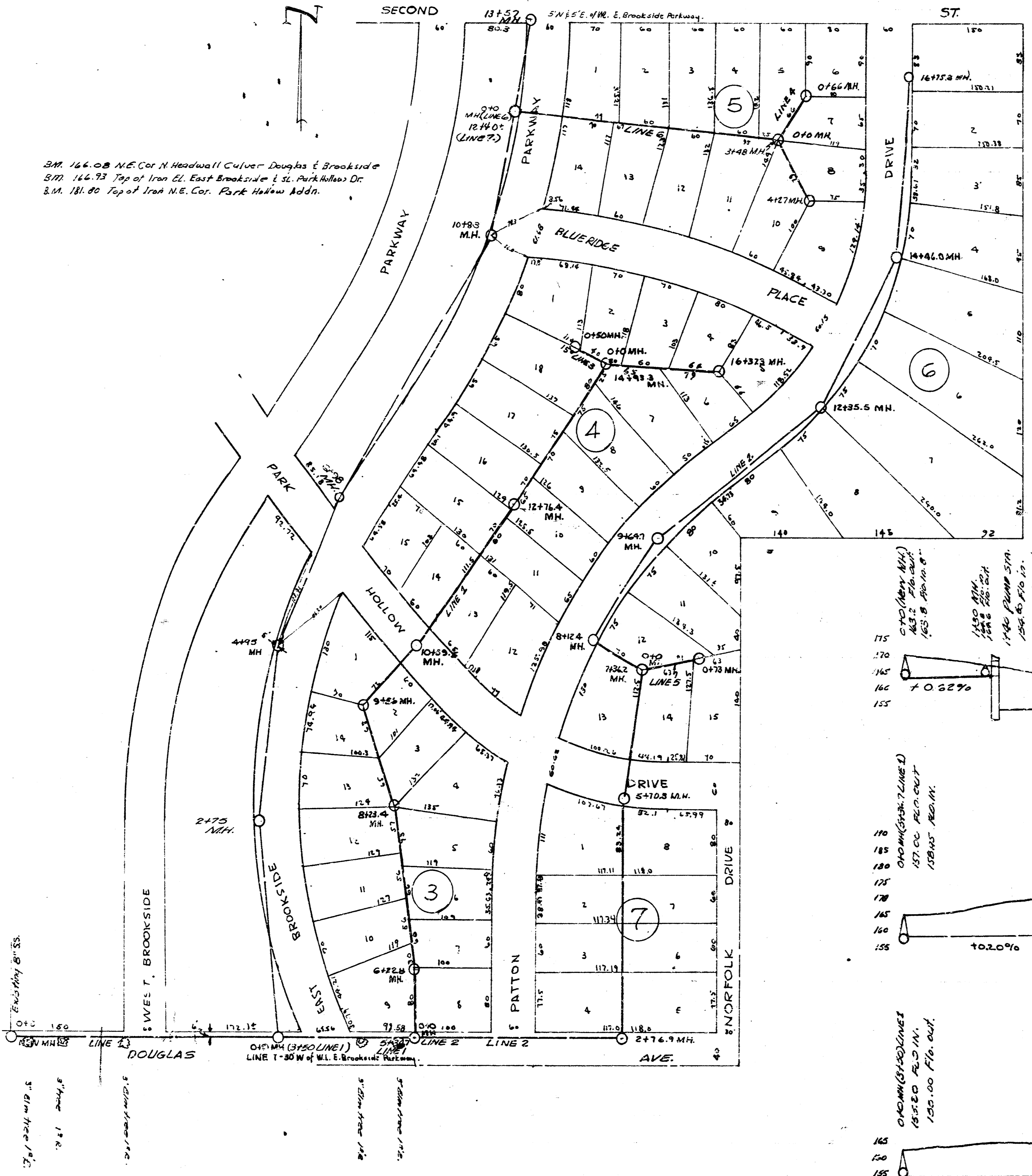
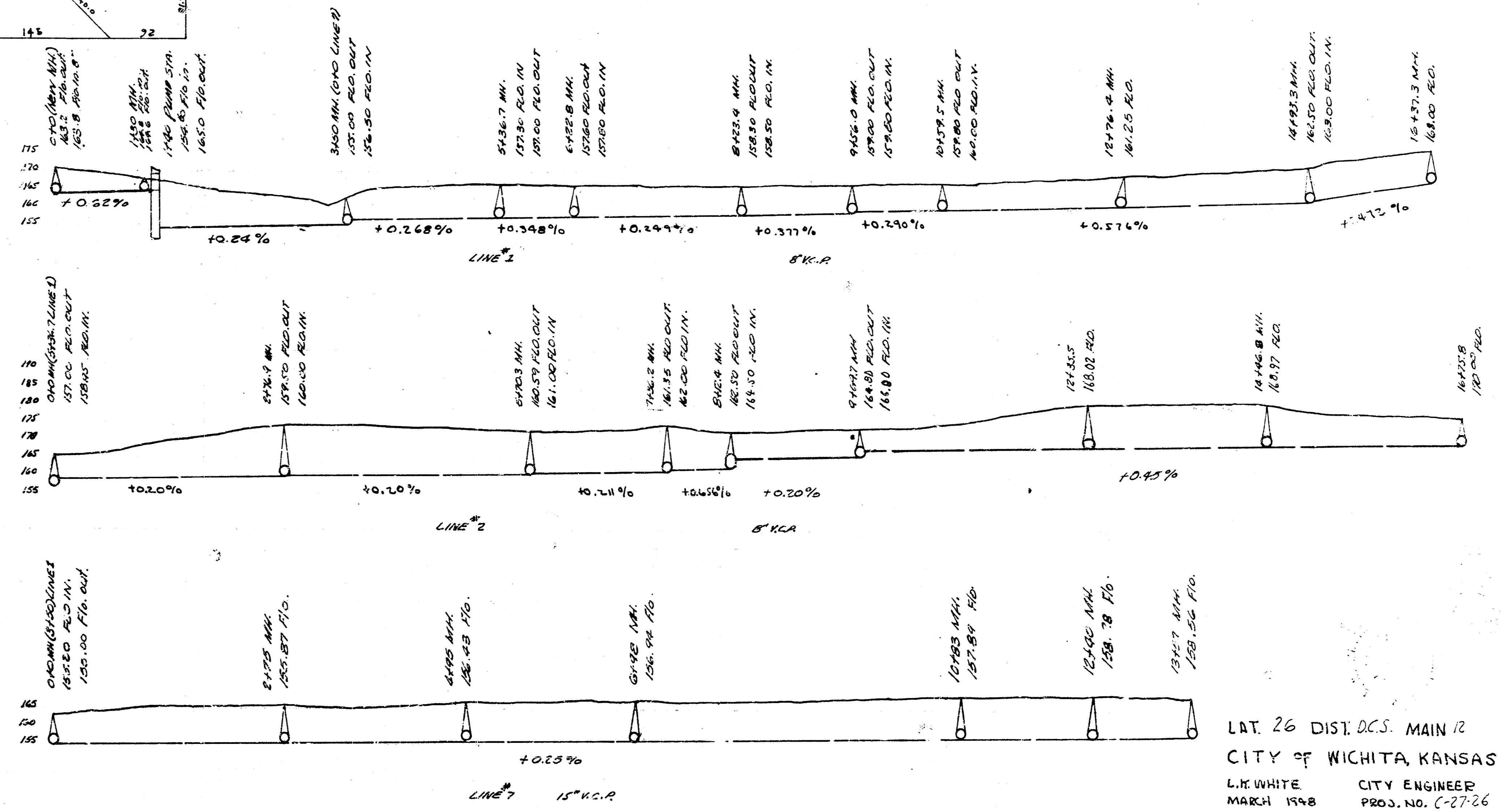
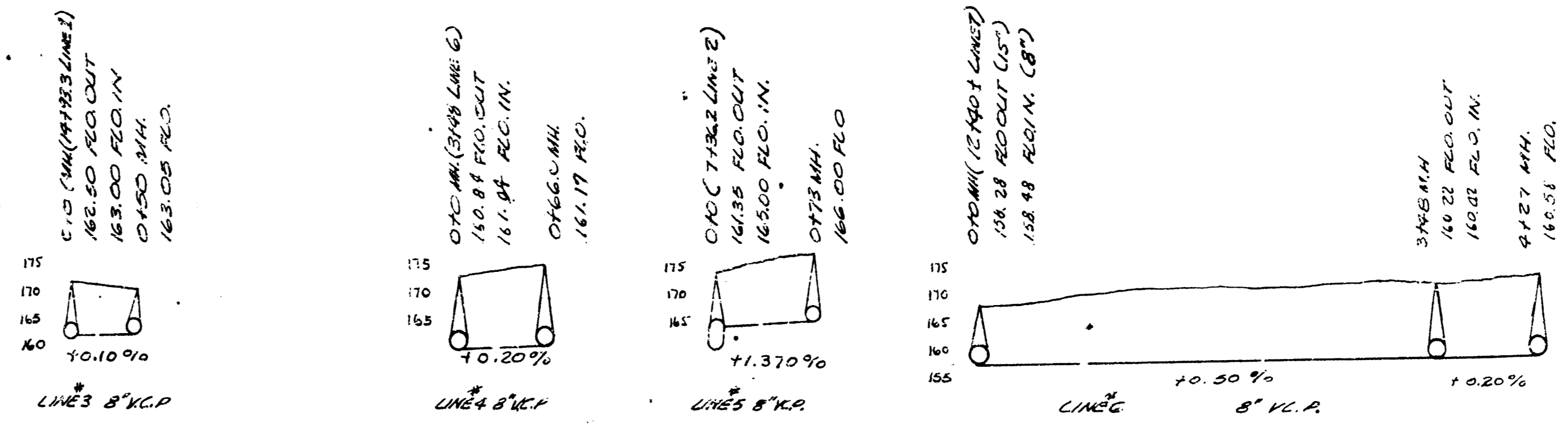


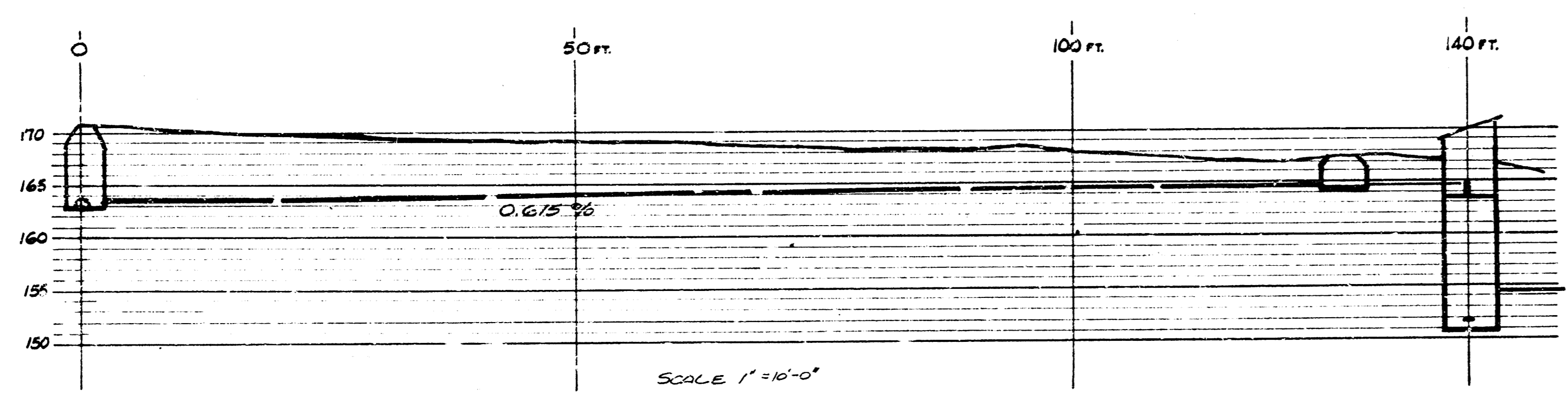
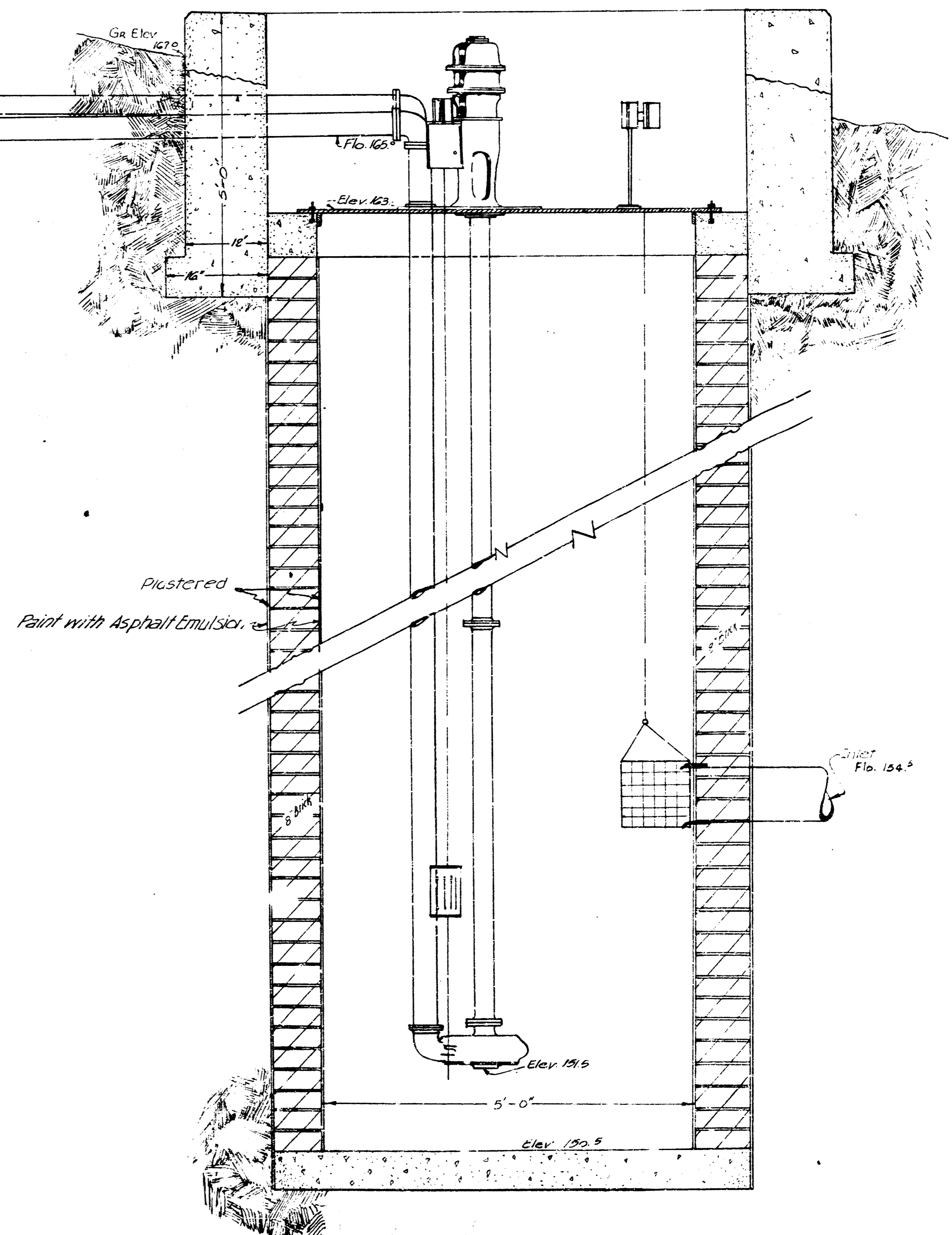
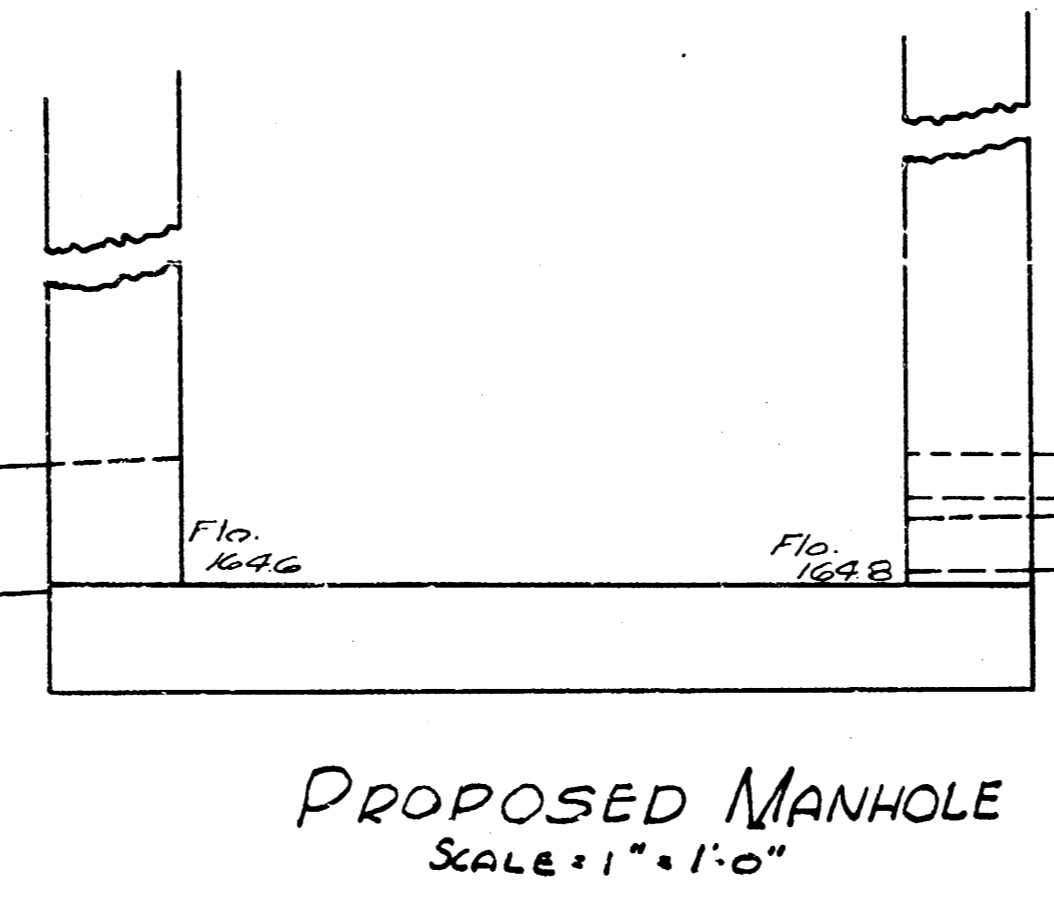
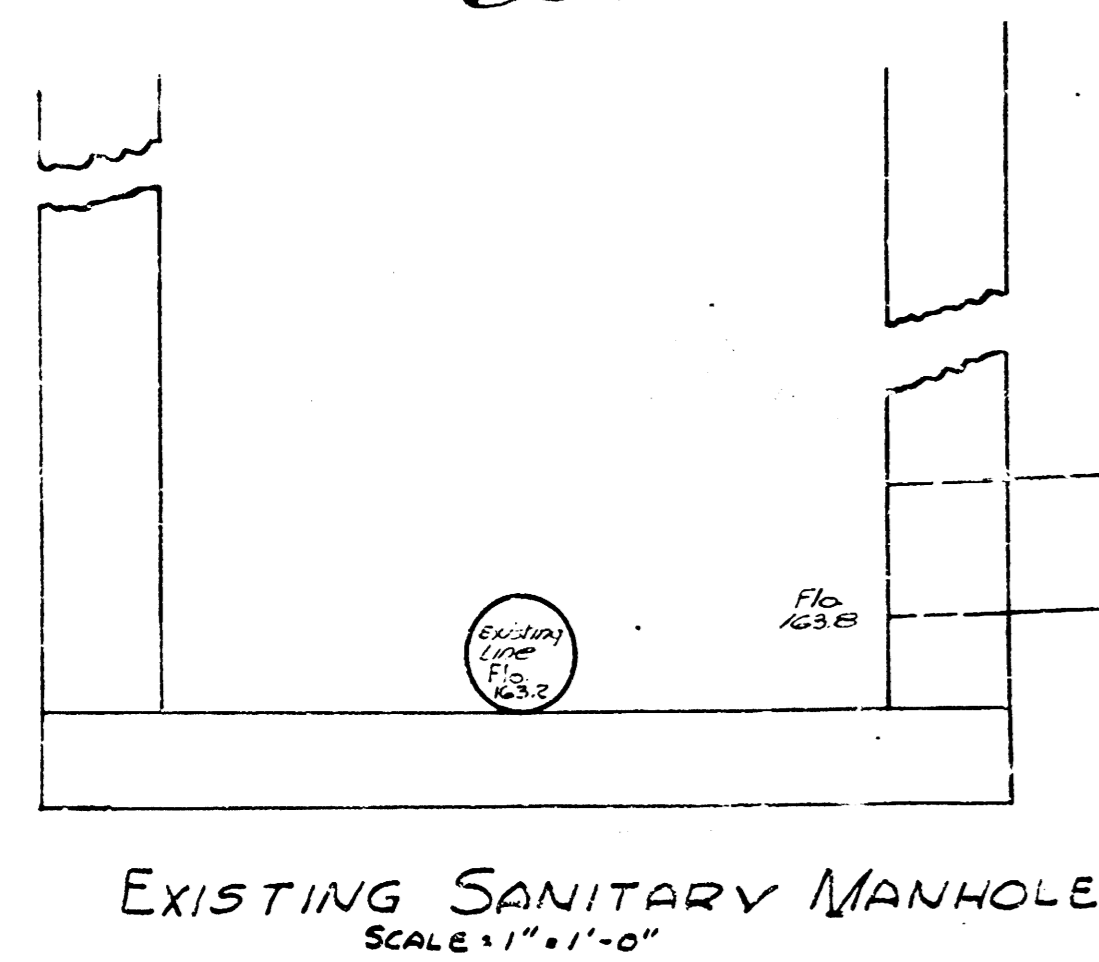
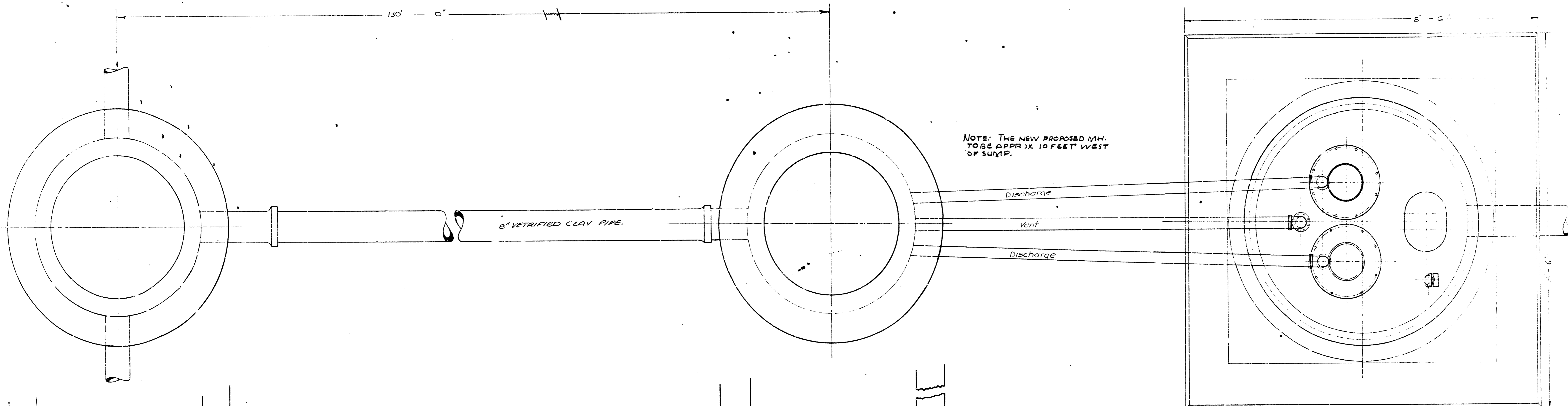
LAT. 26 D.C.S. MAIN 12
 City of Wichita, Kansas
 L.K. White City Engineer
 March 1928 Proj. No. C-27-26



3M 144.08 N.E. Cor. N. Headwall Culver Douglas & Brookside
 370 144.93 Top of Iron Cl. East Brookside & St. Park Hillside Dr.
 314 181.00 Top of Iron N.E. Cor. Park Hillside Addn.



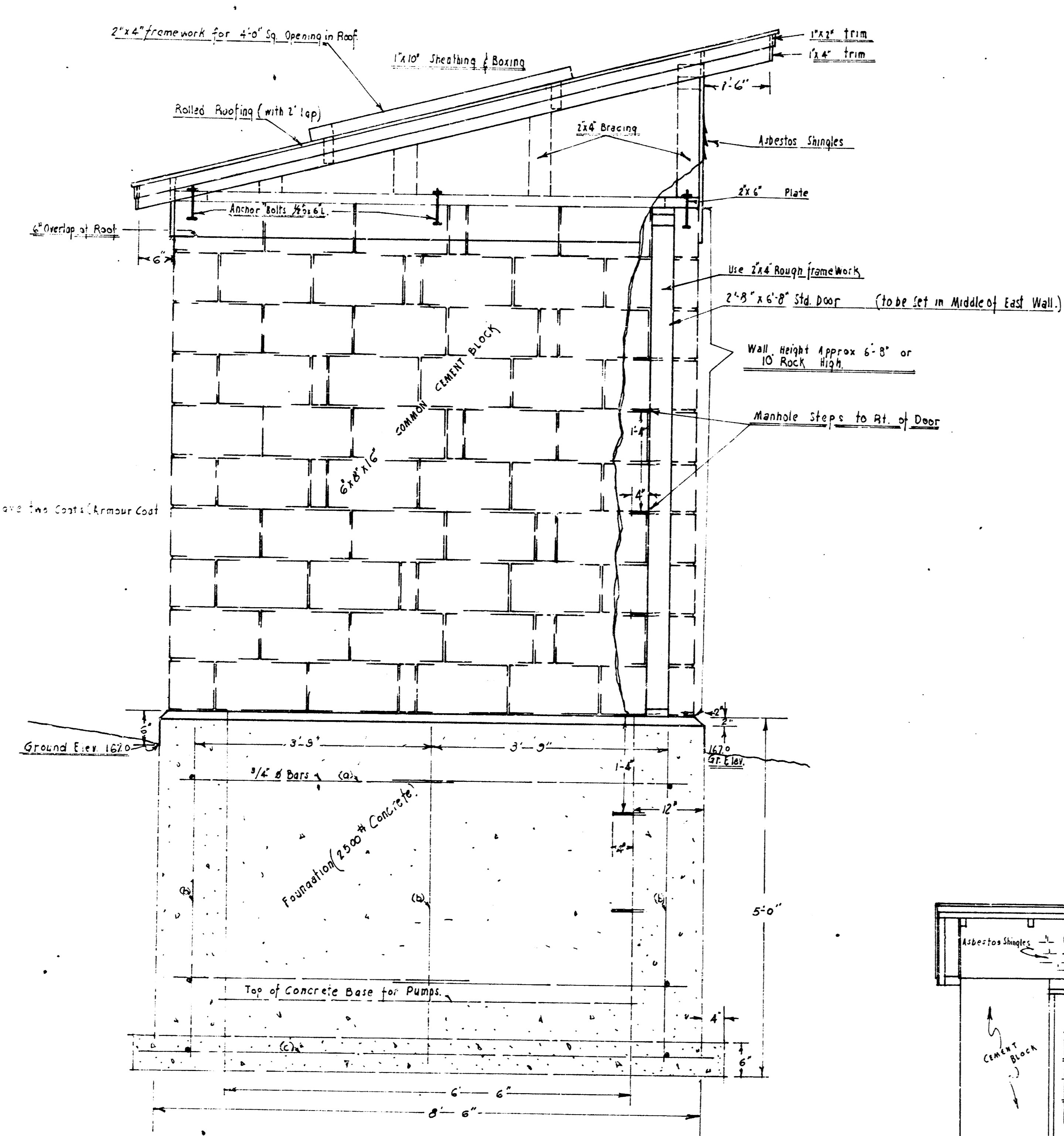
LAT. 26 DIST. DCS. MAIN 12
 CITY OF WICHITA, KANSAS
 L.H. WHITE CITY ENGINEER
 MARCH 1948 PROJ. NO. C-27-26



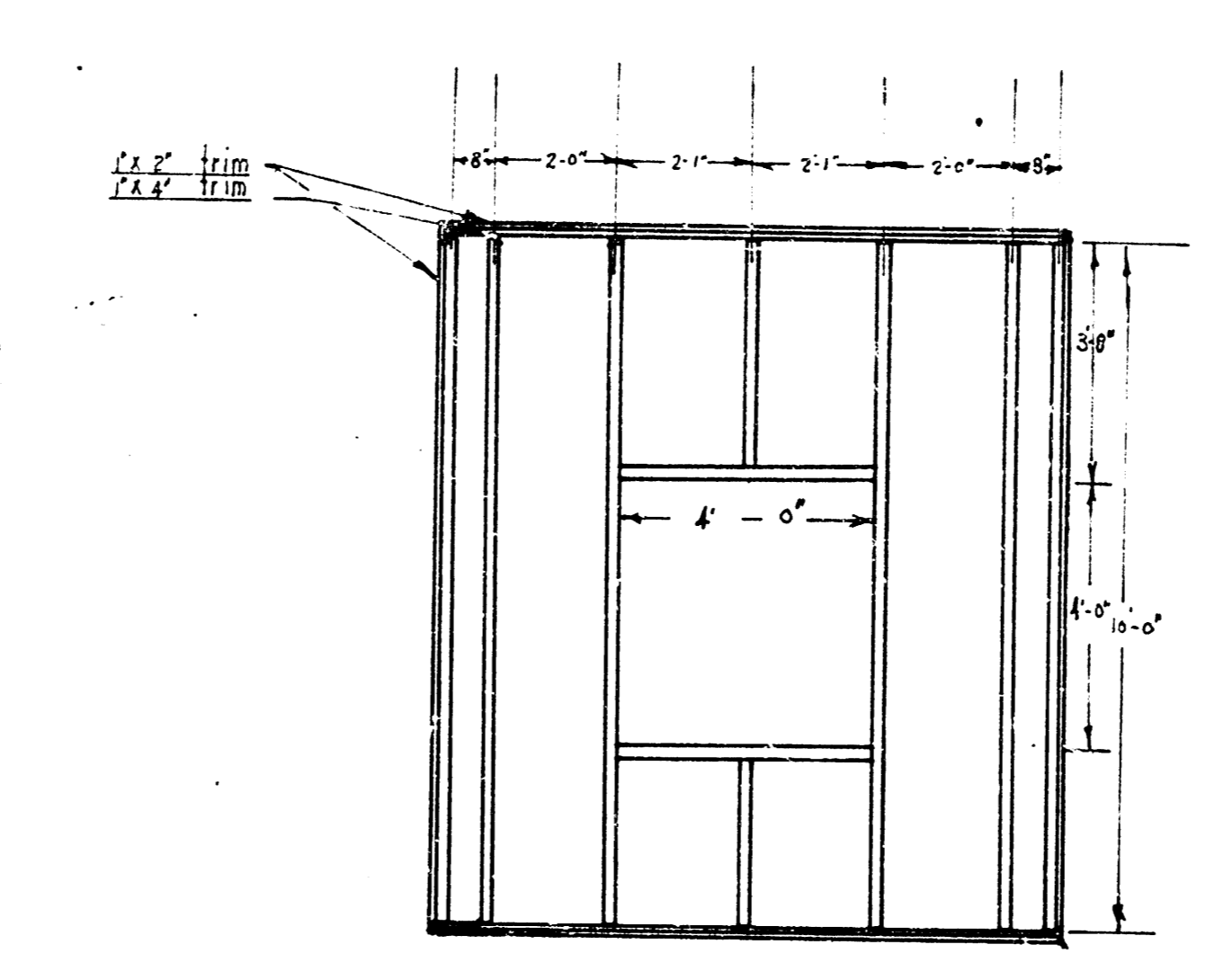
PROPOSED PUMPING STATION

WICHITA , KANSAS

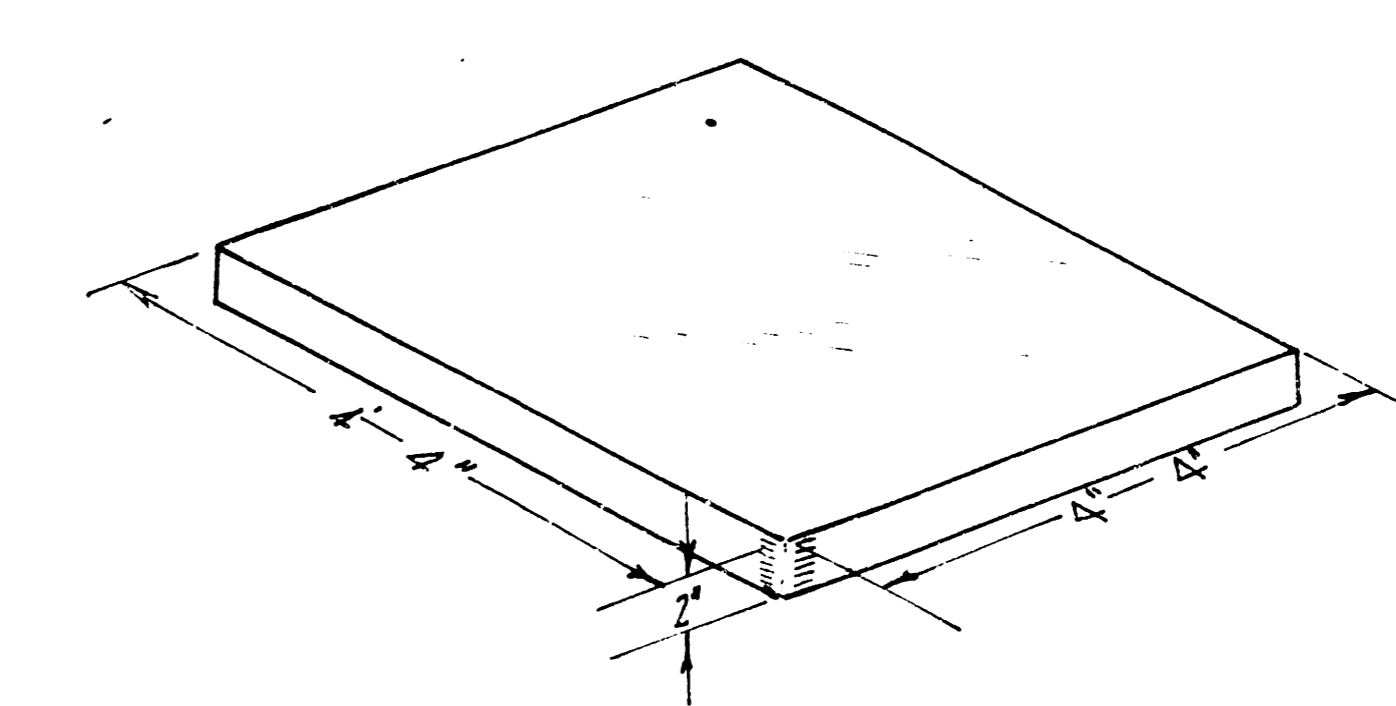
1948



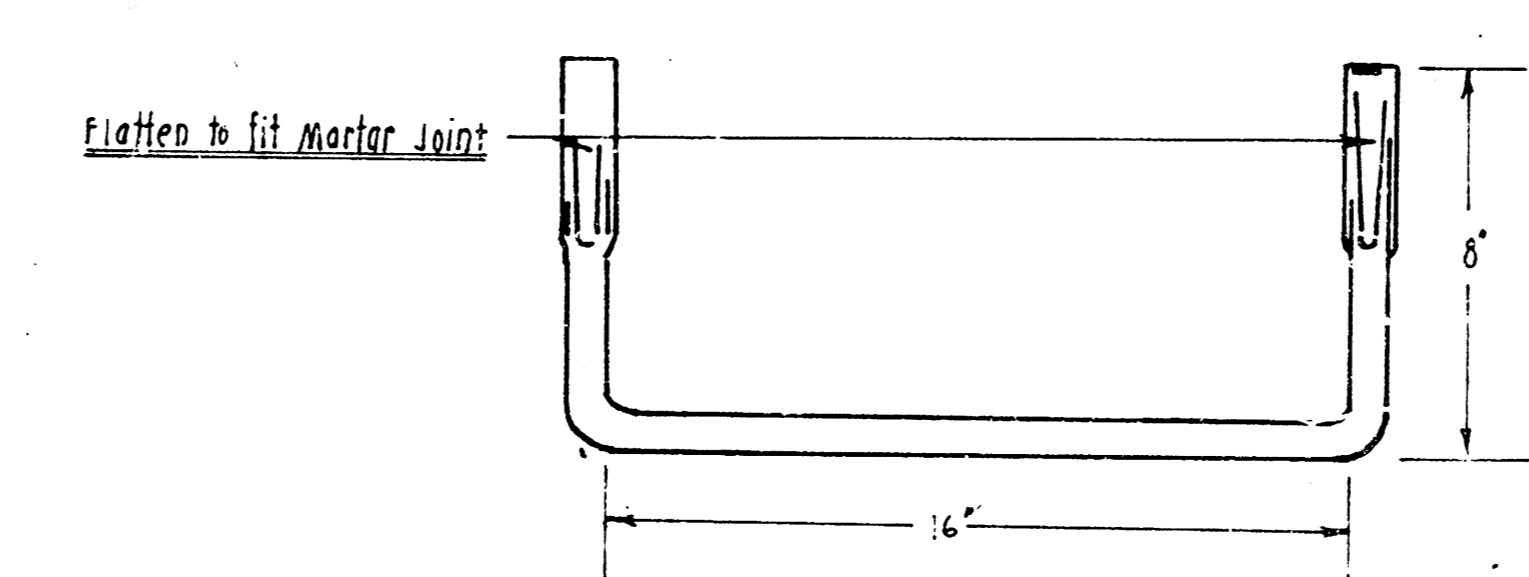
SOUTH SIDE ELEVATION



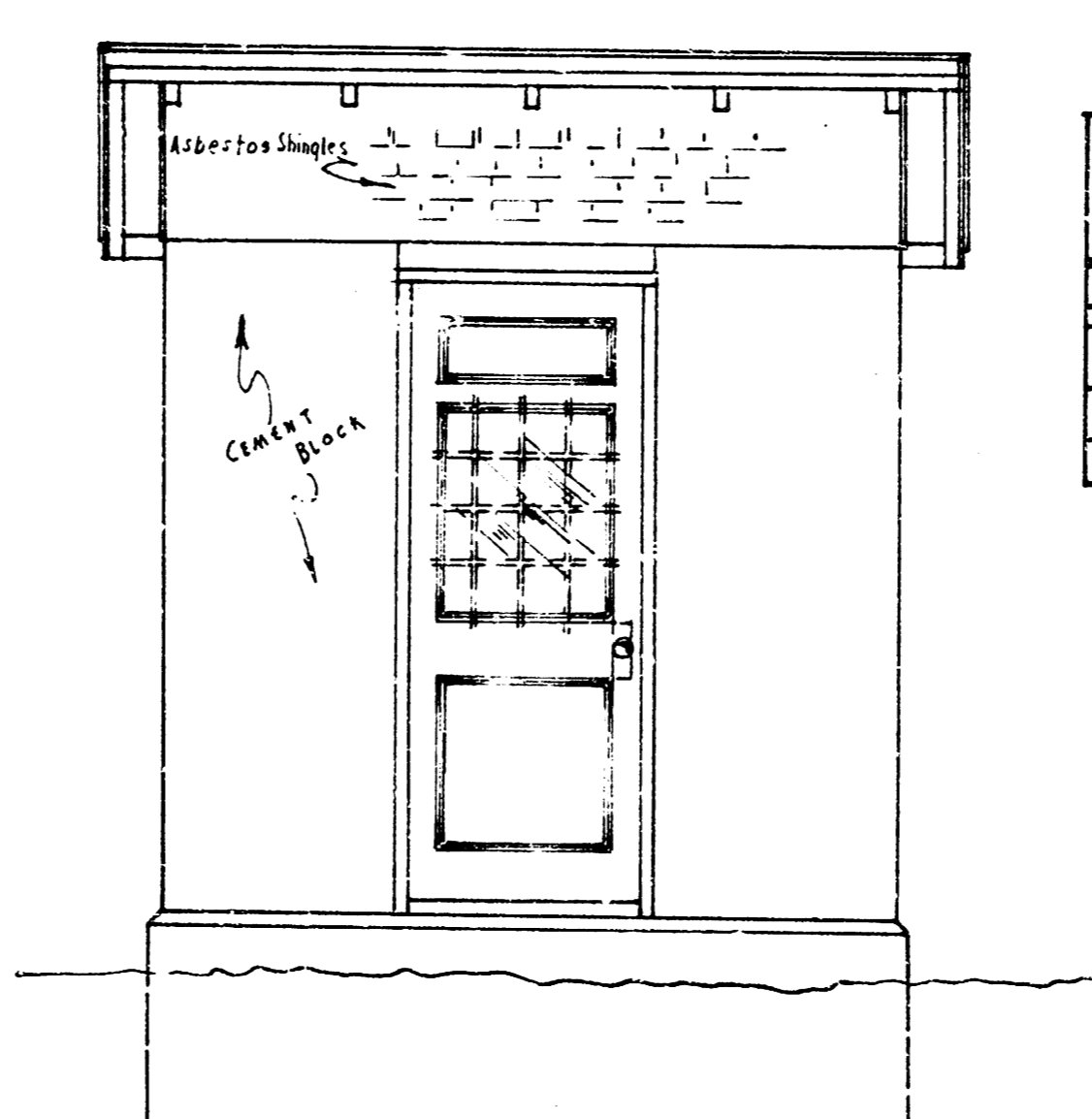
DETAIL OF RAFTERS
SCALE 3/8\"/>



METAL TOP FOR ROOF OPENING
NOTE: TO BE MADE OF 16 GAUGE MATERIAL MATERIAL TO BE OPTIONAL



DETAIL OF MANHOLE STEP
SCALE 3\"/>



EAST ELEVATION

STEEL SPECIFICATIONS				
NO	TYPE			MANHOLE STEPS
	16	2	4	
LENGTH	4'-0"	4'-4"	7'-10"	165 1/4\"/>
BOLTS	1/2 - 1/4"			

WOOD SPEC		CONCRETE SPEC	
DELT	TYPE	6.5 CUBIC 2500\"/>	
2.0	1/2		
4.0	1/4		
5.0	2/4		
3.3	2 1/2		
7.0	1 1/2		

PUMPING STATION ELEV. DETAIL
 IN CONNECTION WITH JANITARY SEWER IN PARK HOLLOW ADDN
 WICHITA, KANSAS
 L. K. WHITE City Engineer
 AUGUST 1948