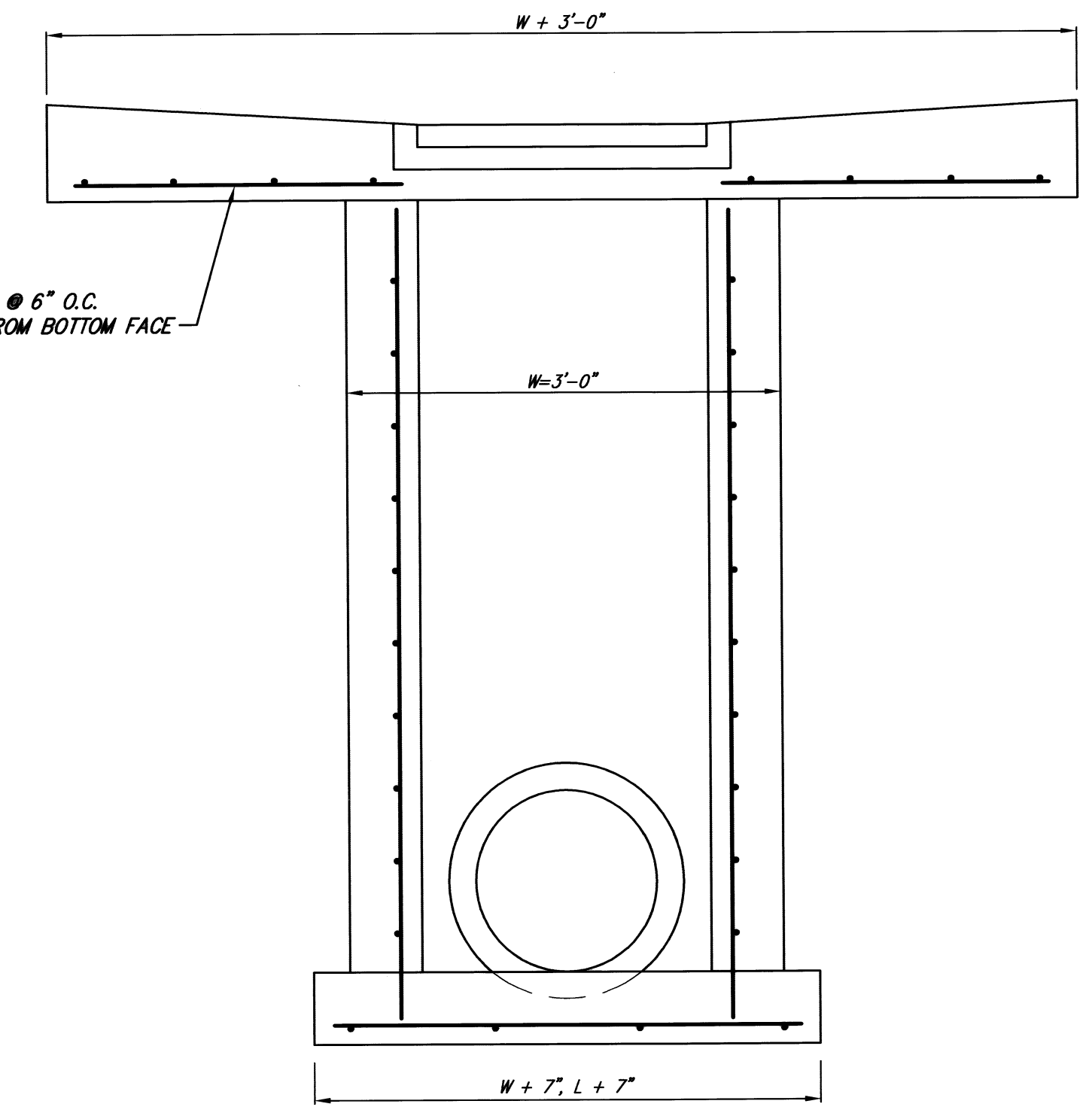


SECTION X-X

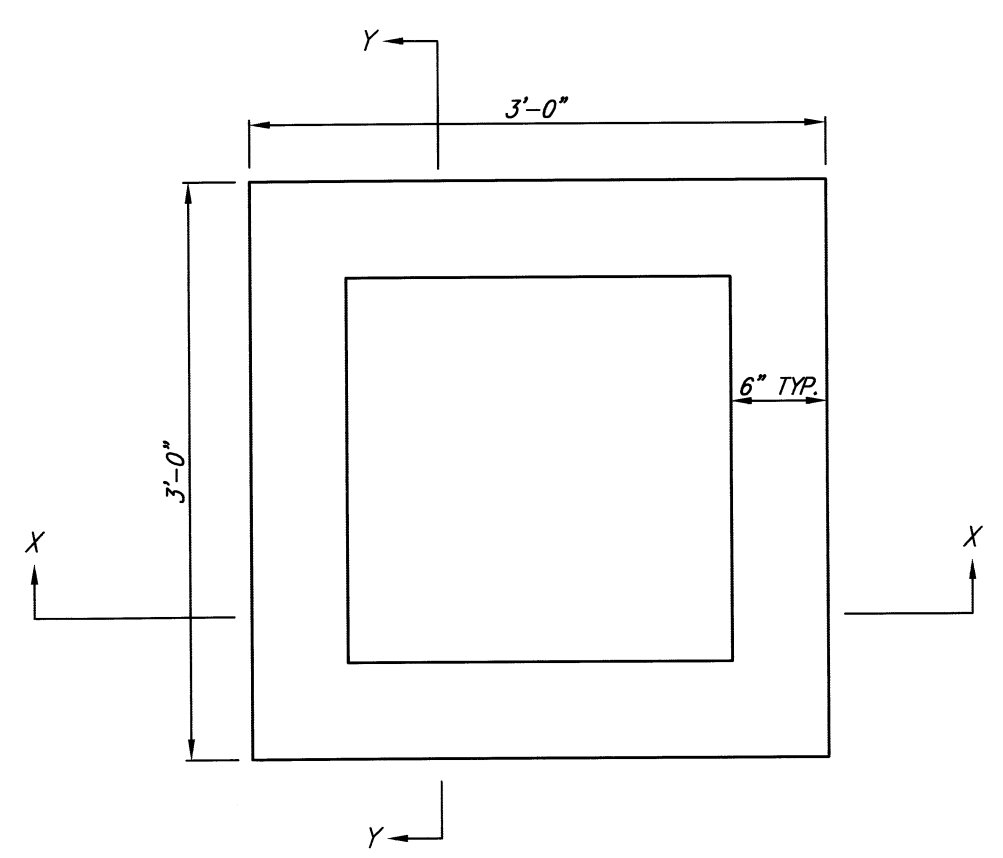


SECTION Y-Y

TOP REINFORCING - #4 BARS @ 6" O.C.
EACH DIRECTION, 2" CLEAR FROM BOTTOM FACE

#4 BARS @ 6" O.C.
VERTICAL AND HORIZ.

#4 BARS @ 12" O.C.
BOTH DIRECTIONS

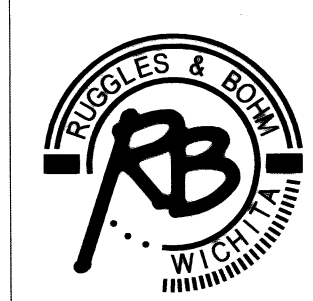


PLAN

NOTES:

FRAME AND GRATE TO BE GCI CASTINGS, INC. OR 2361,
DETTIER FOUNDRY 2433, OR EQUIVALENT.

SISTERS OF ST. JOSEPH APARTMENT BUILDING
2'x2' DROP INLET DETAIL
WICHITA, KANSAS



Ruggles & Bohm, P.A.
Engineering, Surveying, Land Planning
924 North Main
Wichita, Kansas 67203
www.rbkansas.com
(316) 264-8008
(316) 264-4621 fax
E-mail: info@rbkansas.com

DESIGN	TCR	SHEET 7 OF 7
DRAWN	EJB	
REVIEW		
UTILITY		
DATE	July 30, 2007	

DRAWING FILE	PROJECT NUMBER
ENG. BASE {2'x2' Inlet}	1798

8P 11 50 11