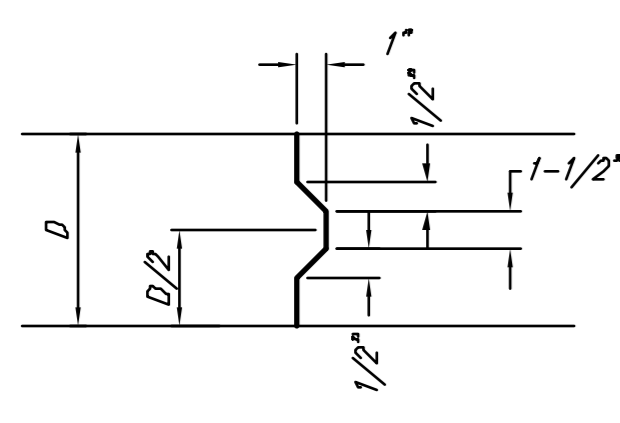
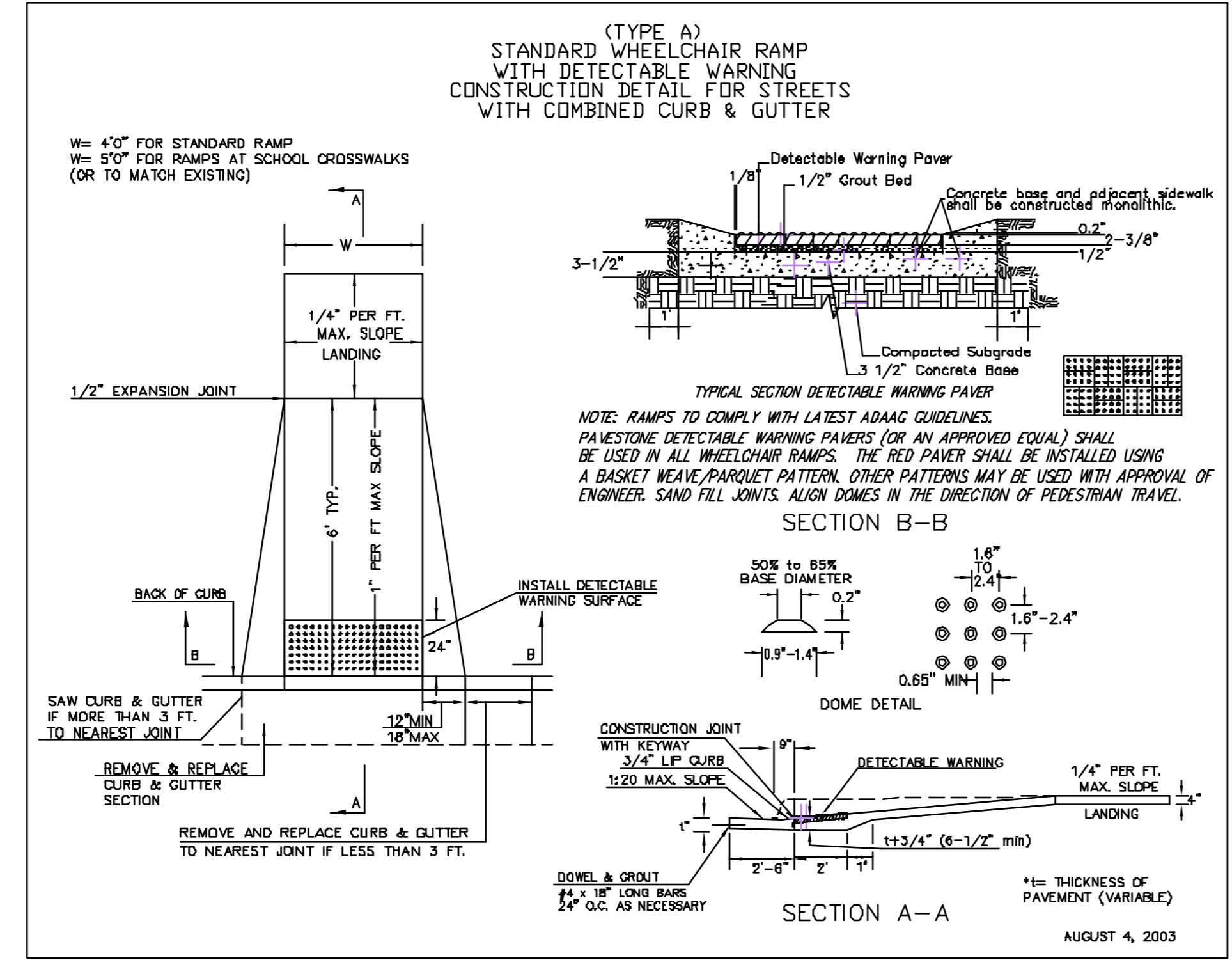


EXPANSION JOINT

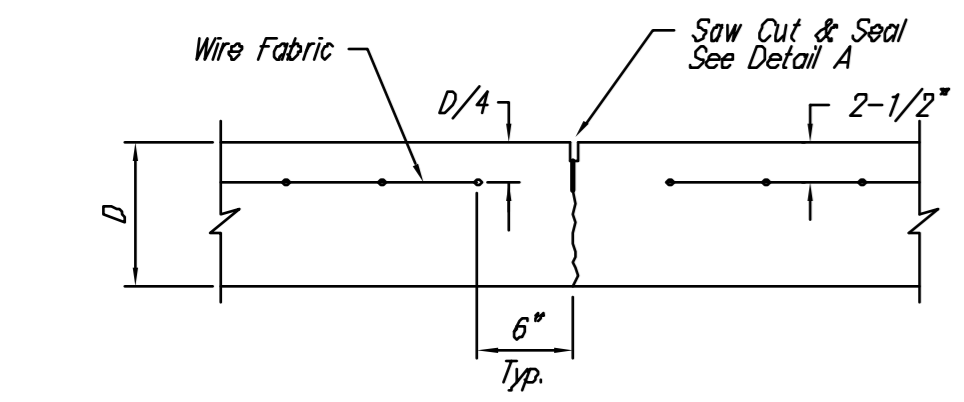
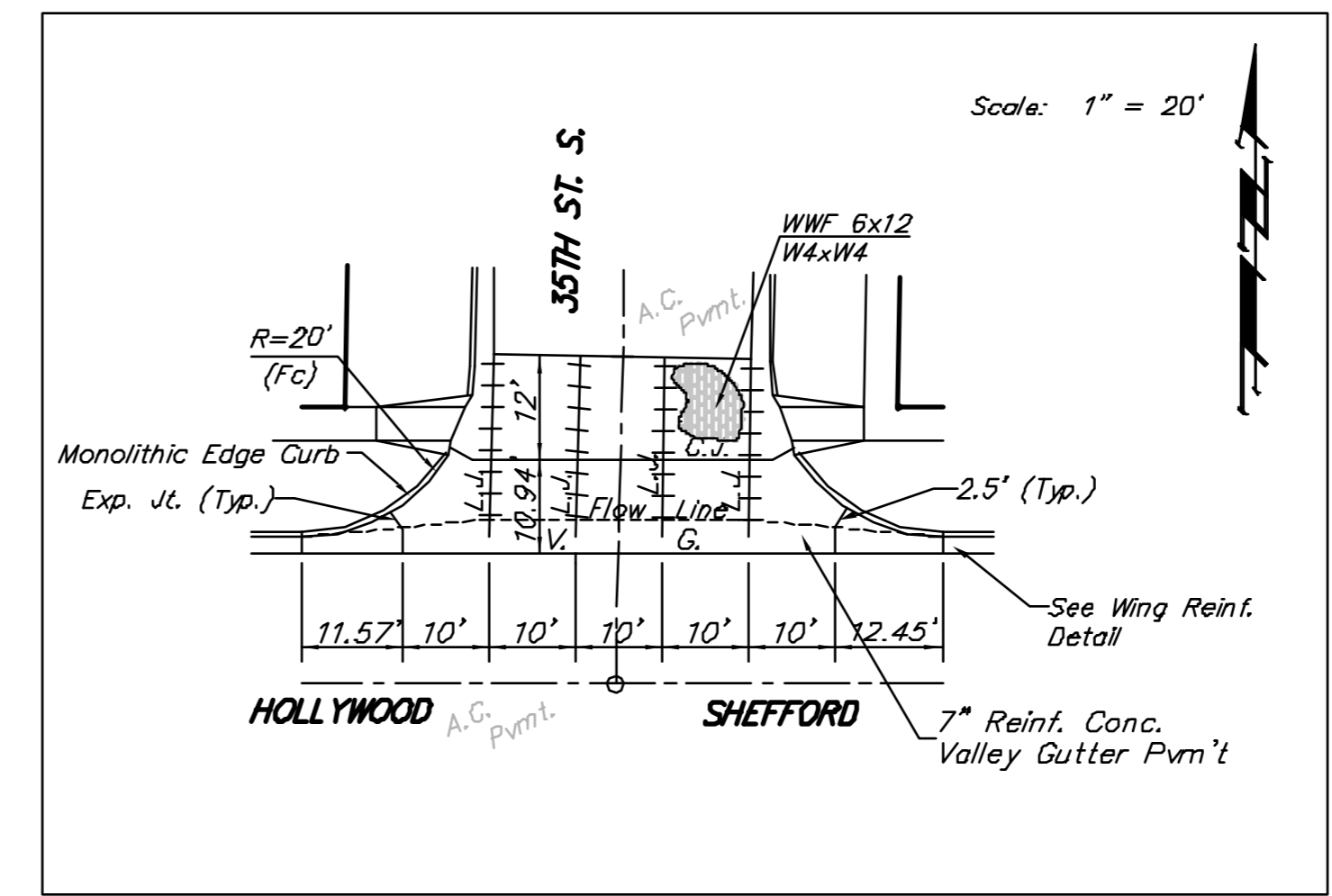
NOTE: Extra Thickness to be Subsidiary to Price of Square Yards Pavement



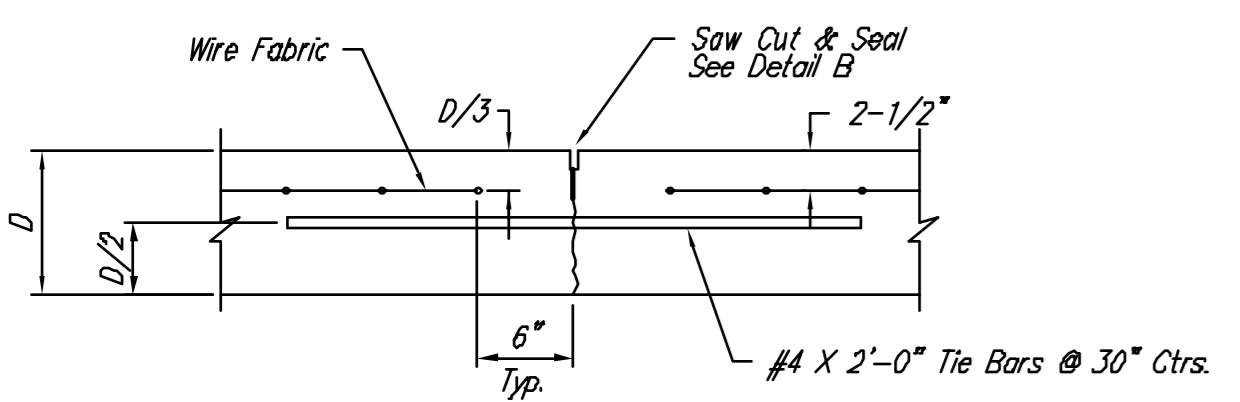
KEYWAY DETAIL



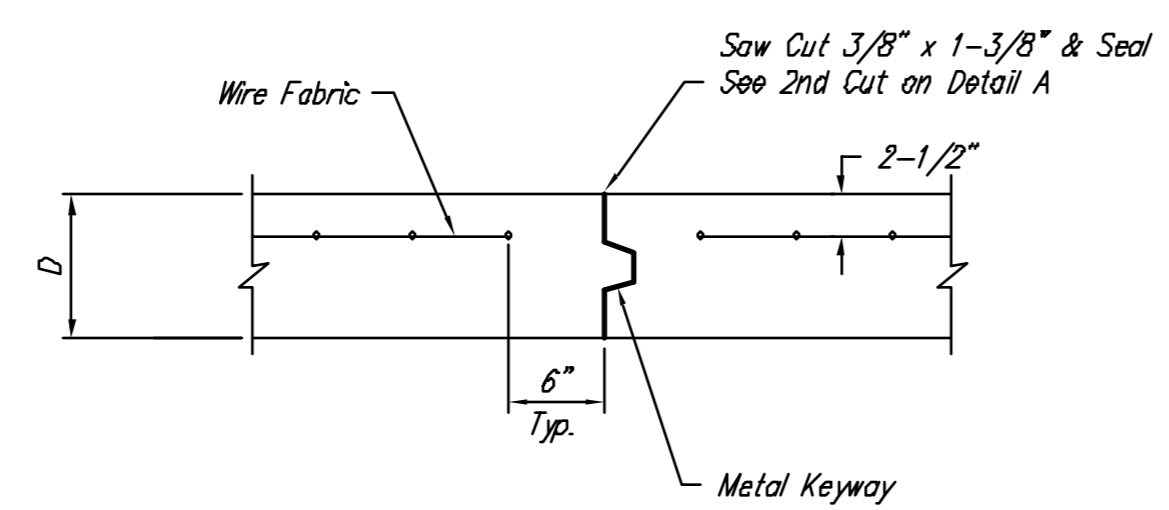
WHEELCHAIR RAMP DETAIL



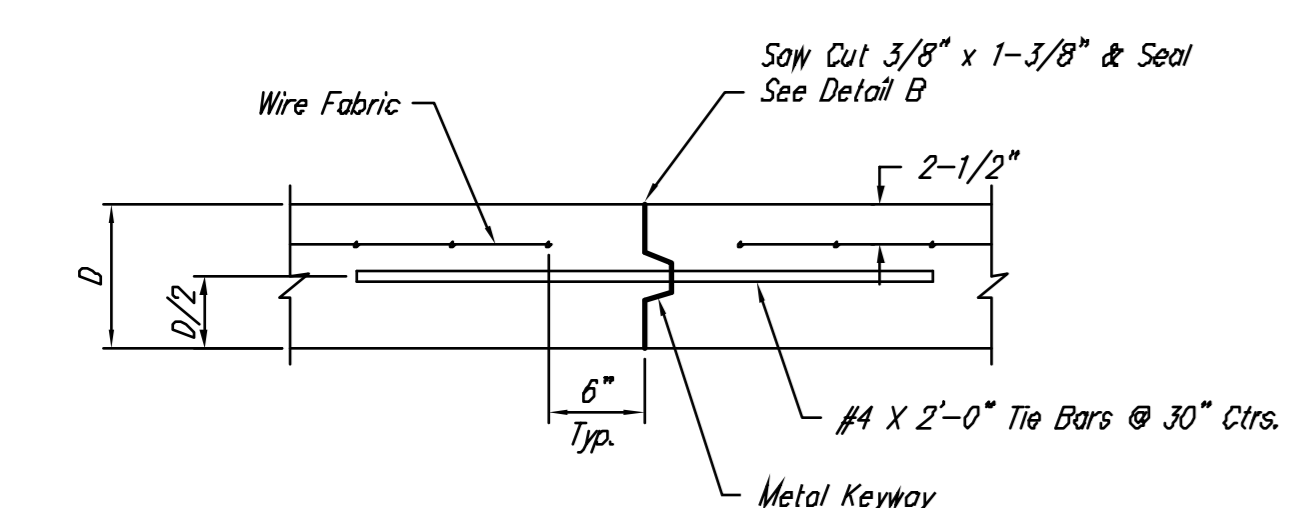
CONTRACTION JOINT DETAIL (C.J.)



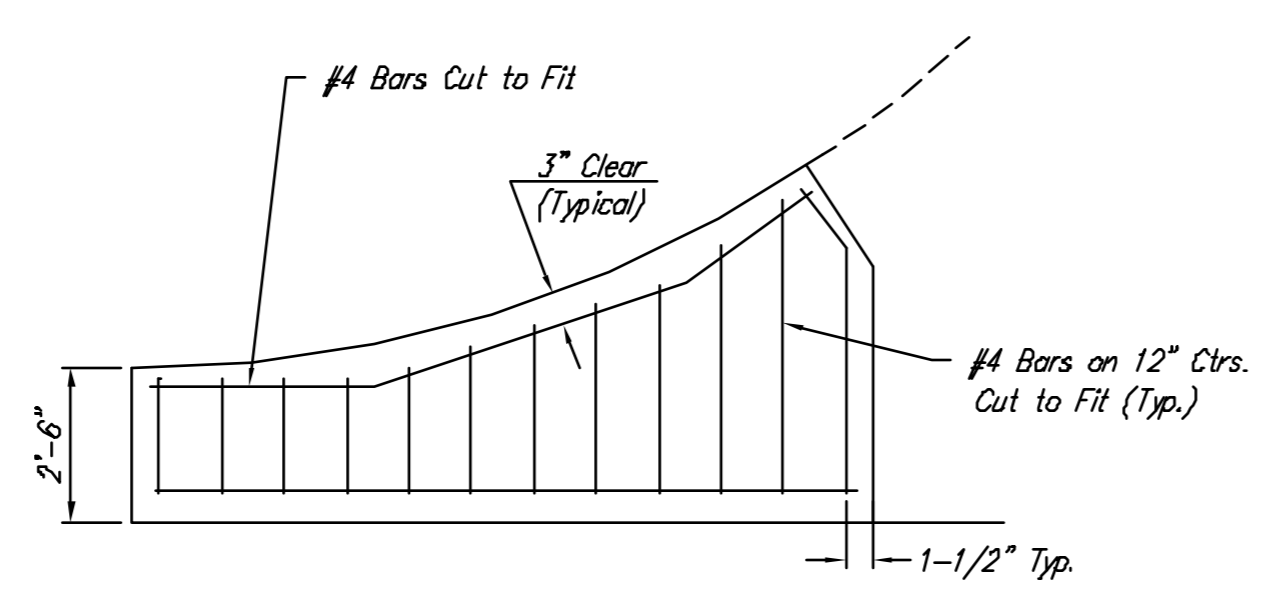
LONGITUDINAL JOINT DETAIL (L.J.)



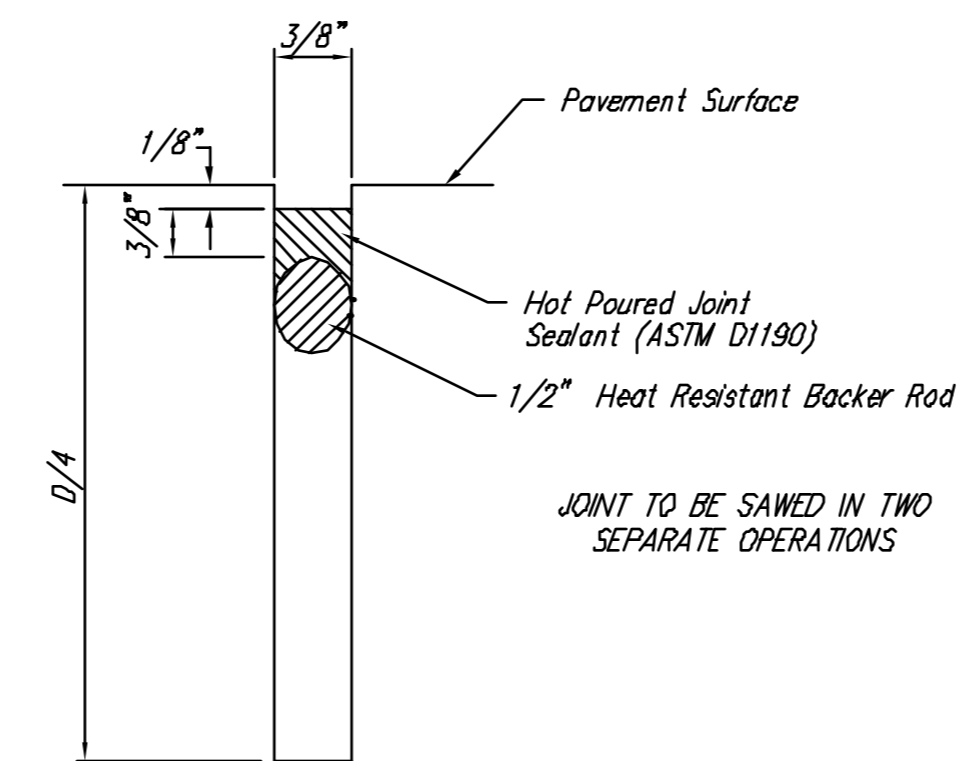
OPTIONAL CONTRACTION JOINT (CONSTRUCTION JOINT)



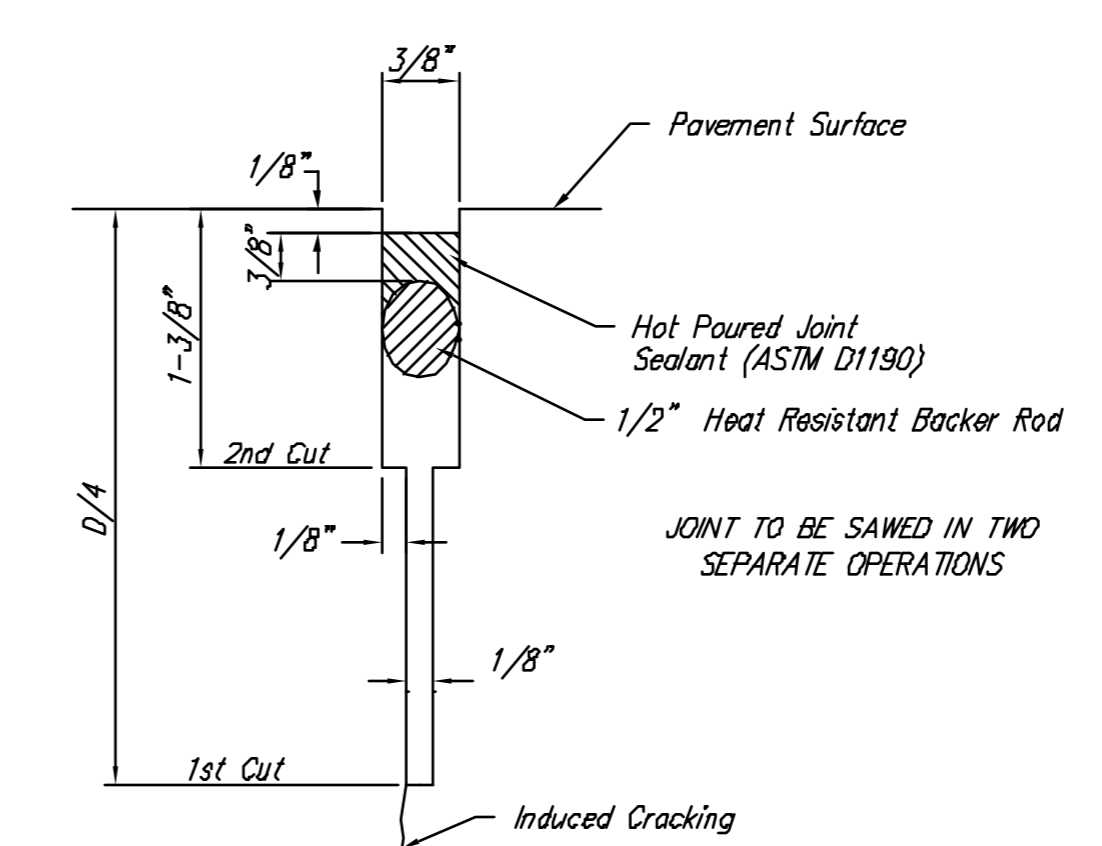
OPTIONAL LONGITUDINAL JOINT DETAIL (L.J.) (CONSTRUCTION JOINT)



WING REINFORCING DETAIL



SAW JOINT DETAIL "B"



SAW JOINT DETAIL "A"

NOTE: 6" X 12" W4XW4 Wire Fabric Reinforcing Shall Be Placed So That The Wires With The 6" Spacing Will Run Parallel With The Longitudinal Joints.

Baughman		MISCELLANEOUS DETAILS	
<small>Baughman Company, P.A. 313 Hills Way, W. Palm Beach, FL 33411 P 561-423-7771 F 561-423-0196</small>			
<small>ENGINEERING SURVEYING PLANNING LANDSCAPE ARCHITECTURE</small>			
PROJECT NUMBER 47283807	DESIGN MWS	DRAWN JRW	
REVISIONS	APPROVED MWS	DATE 3/24/08	
	SCALE NONE		
	SHEET		5 of 38

E:\Auburn Hills 16th PHASE 3\STRV\gdtdtl.dwg 0612-ET10