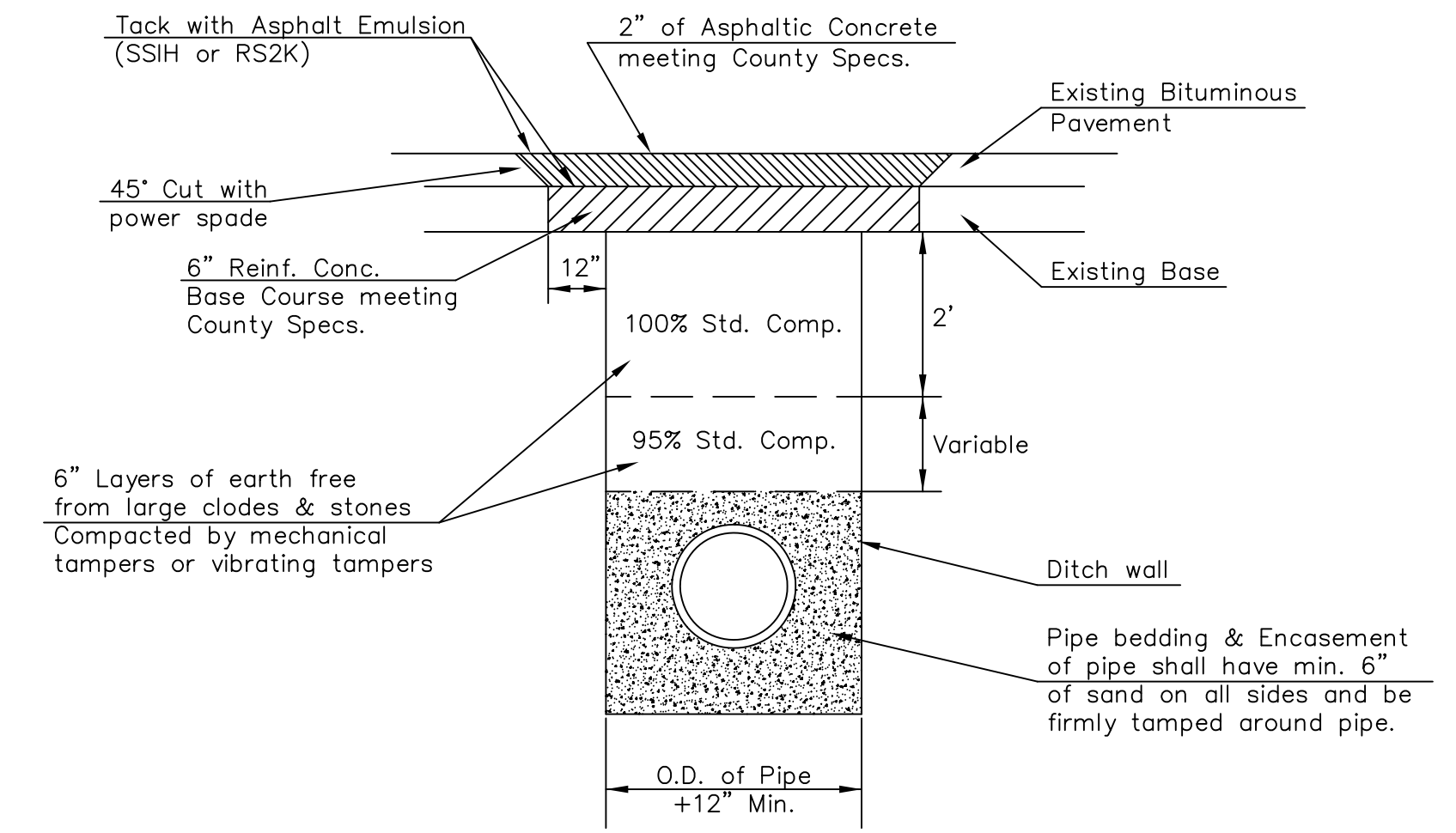


Note: Encasement to begin and end at a Bell on Sanitary Sewer Pipe.

REINFORCED CONCRETE ENCASEMENT OF SANITARY SEWER

PIPE SIZE	THRUST AT FITTINGS IN TONS-AT 150#/IN ² P			
	PLUG	90°	45°	TEE
6"	2.8	3.95	2.15	2.8
8"	4.9	6.95	3.75	4.9
12"	11.4	16.1	8.75	11.4
16"	20.15	28.5	15.4	20.15
20"	31.15	44.0	23.85	31.15
24"	44.55	63.0	34.1	44.55

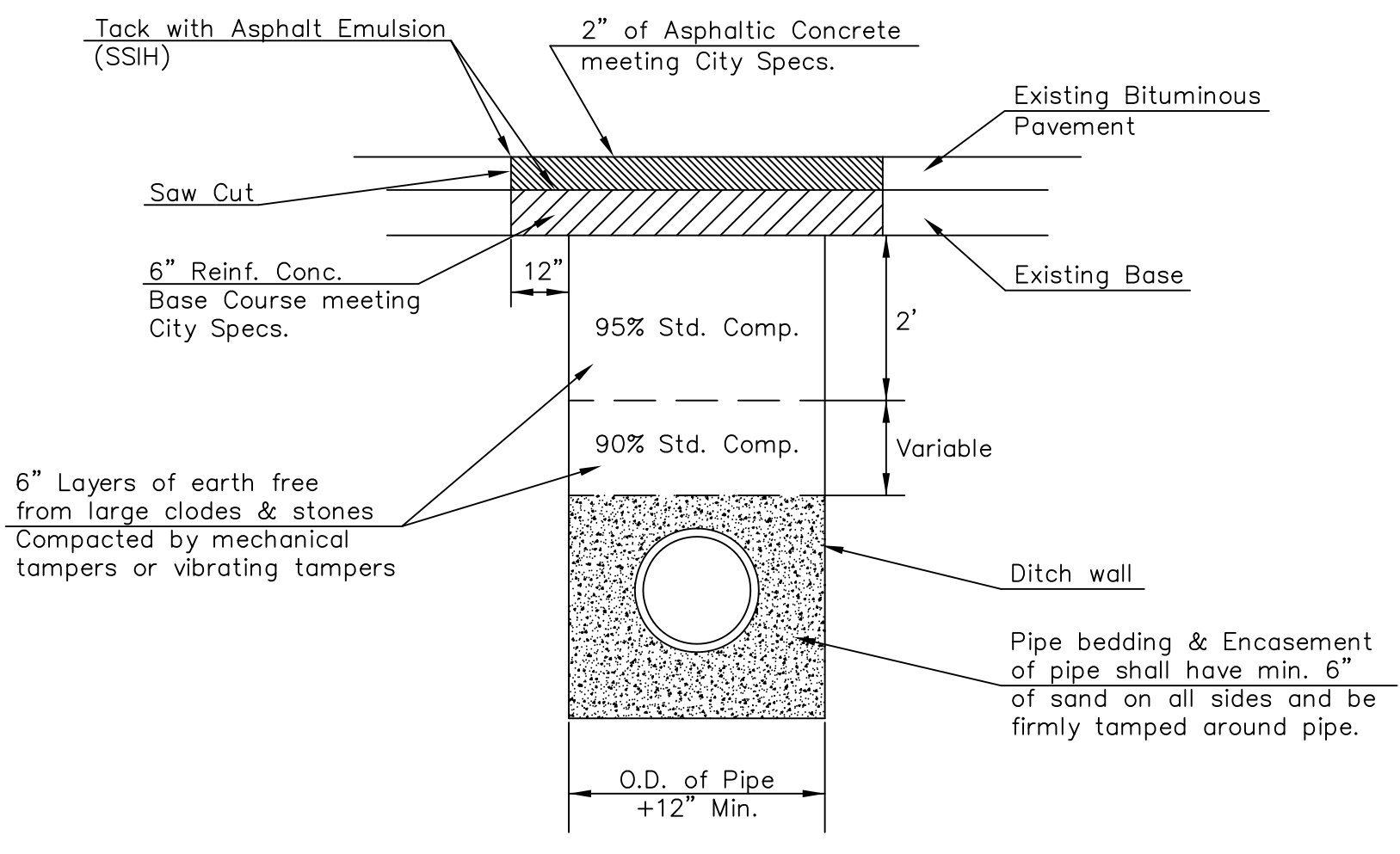
SETTLEMENT & COMPACTION ON CITY AND COUNTY ROAD RIGHT-OF-WAY EXCEPT UNDER PAVEMENT



Standard Density Test, as described in the latest addition of ASTM D698, shall be performed to verify the above requirements to the Satisfaction of the Sedgwick County Director of Public Works. All testing cost shall be included in the unit price bid for the pipe in place.

When laying under paving, parallel with the centerline of the street, a minimum of one (1) Standard Density Test shall be performed on each 300 lineal feet of ditch.

PAVEMENT REPLACEMENT & DITCH COMPACTION UNDER EXISTING AND PROPOSED COUNTY ROADS

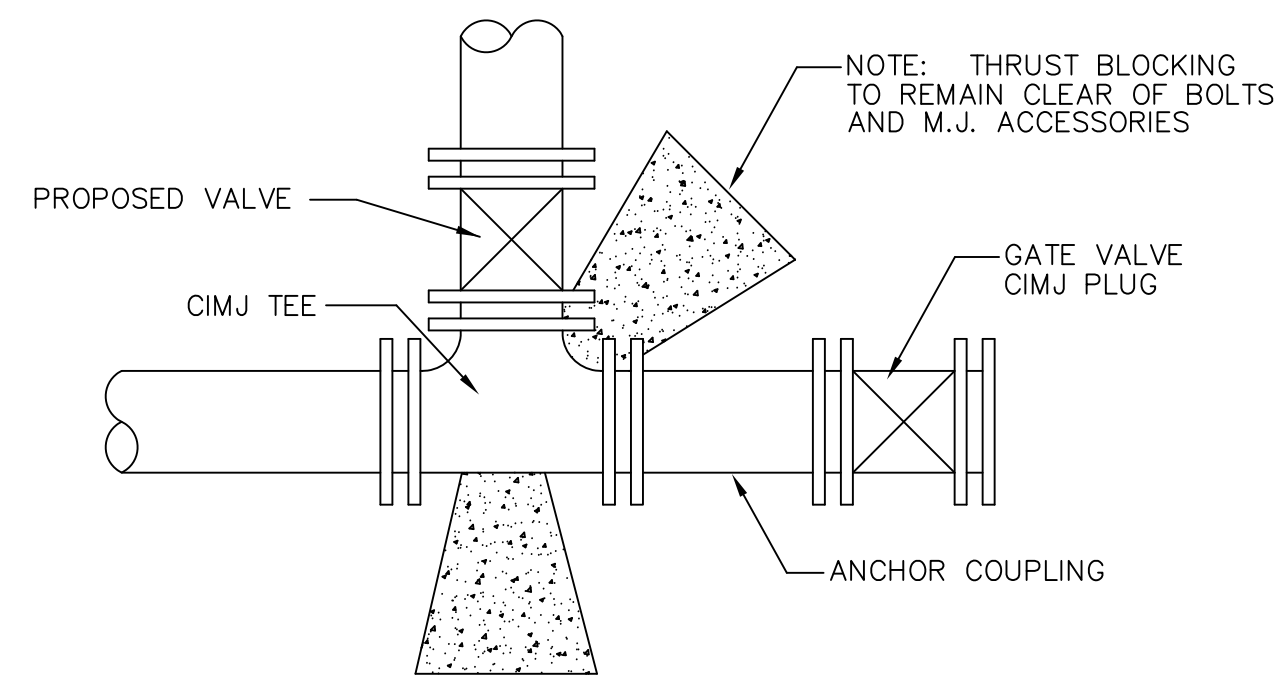


Standard Density Test, as described in the latest addition of ASTM D698, shall be performed to verify the above requirements to the Satisfaction of the Sedgwick County Director of Public Works. All testing cost shall be included in the unit price bid for the pipe in place.

When laying under paving, parallel with the centerline of the street, a minimum of one (1) Standard Density Test shall be performed on each 300 lineal feet of ditch.

PAVEMENT REPLACEMENT & DITCH COMPACTION UNDER EXISTING AND PROPOSED CITY ROADS

TYPICAL THRUST BLOCKS



KEY BLOCK DETAIL



VARIOUS WATER DETAILS			
CITY ENGINEER			
JAMES L. ARMOUR, P.E., L.S.			
ACTING			
PROJECT NUMBER	OCA NUMBER	DATE	
448-90215	-	9/2006	
CITY ENGINEER'S OFFICE		DESIGN	DRAWN
CITY HALL - SEVENTH FLOOR		COW	COW
455 NORTH MAIN STREET		SHEET	
WICHITA, KANSAS 67202-1620		5 OF 6	
(316) 268-4501			
(316) 268-4114 FAX			