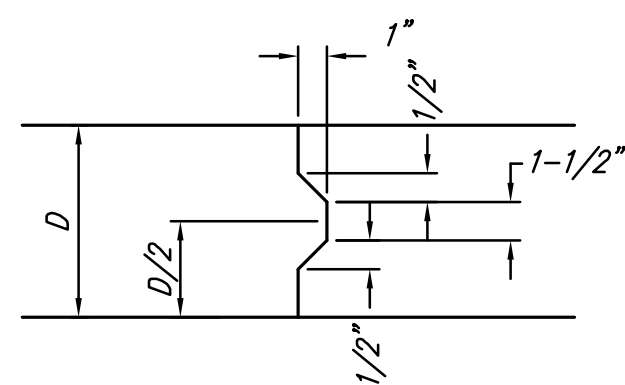
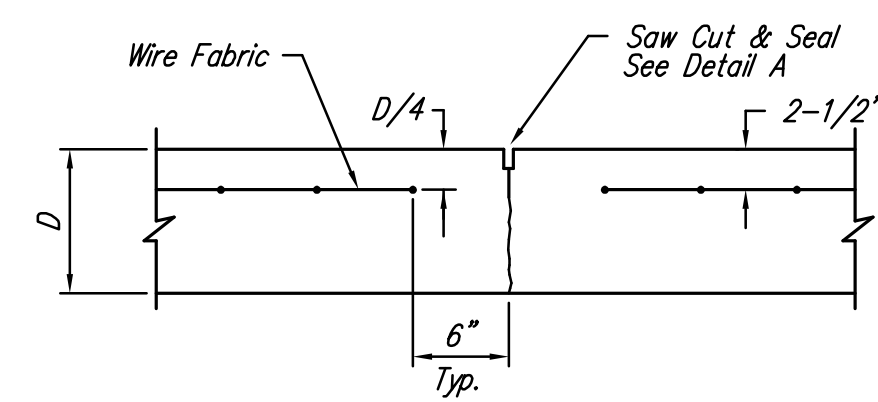


EXPANSION JOINT

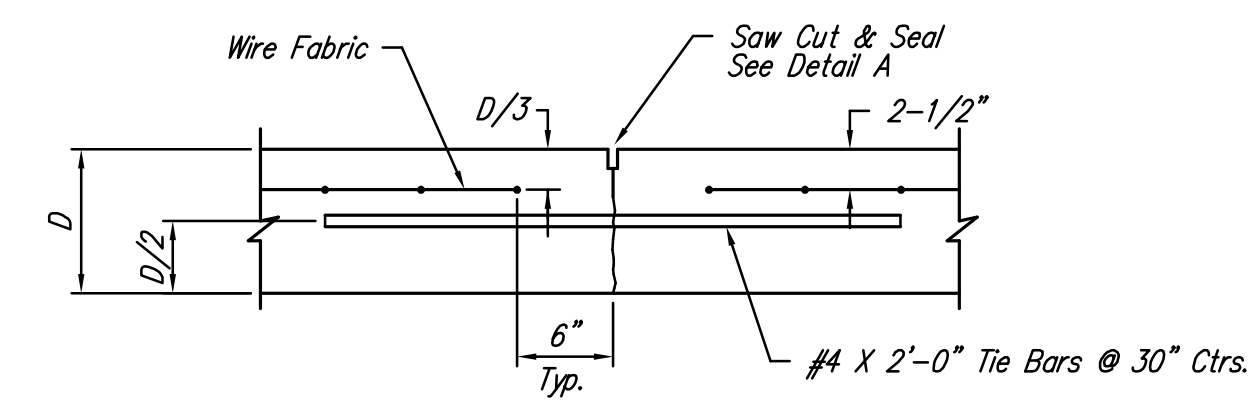
NOTE: Extra Thickness to be Subsidiary to Price of Square Yards Pavement



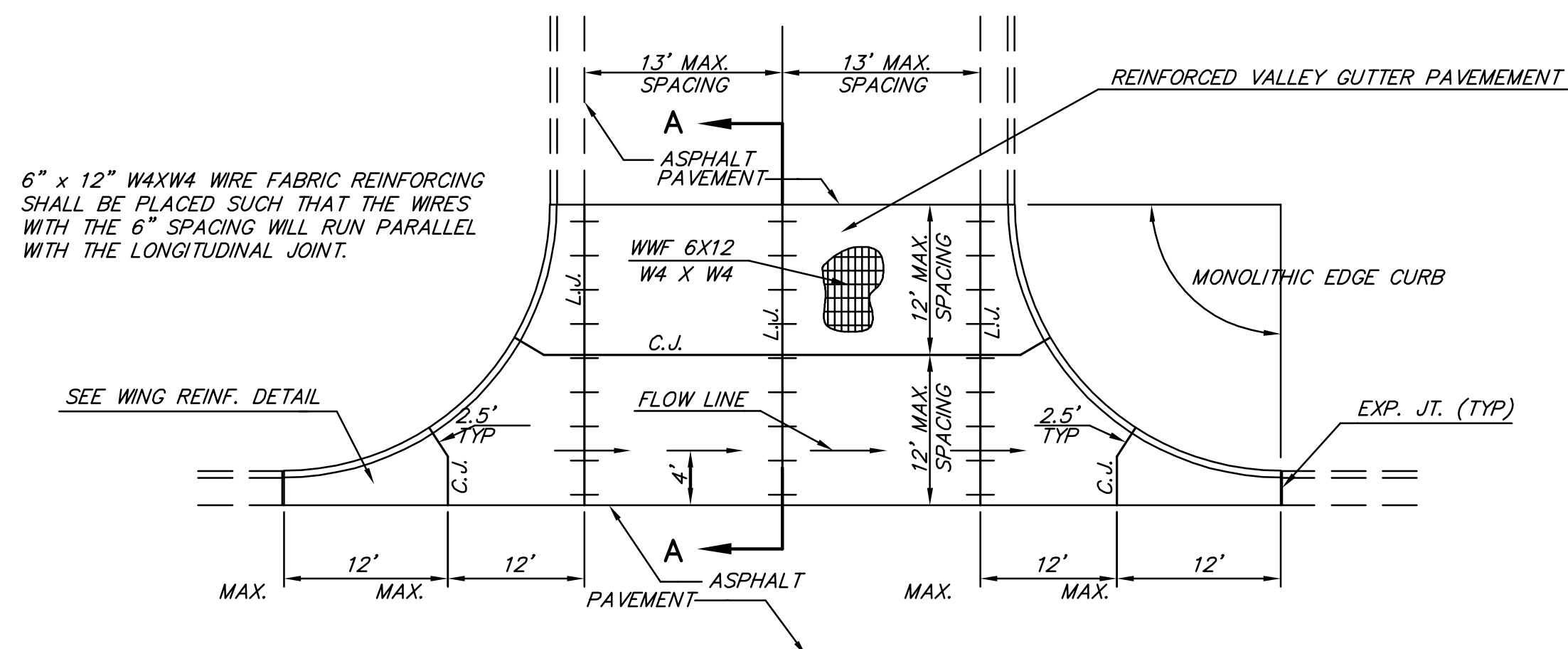
KEYWAY DETAIL



CONTRACTION JOINT DETAIL (C.J.)



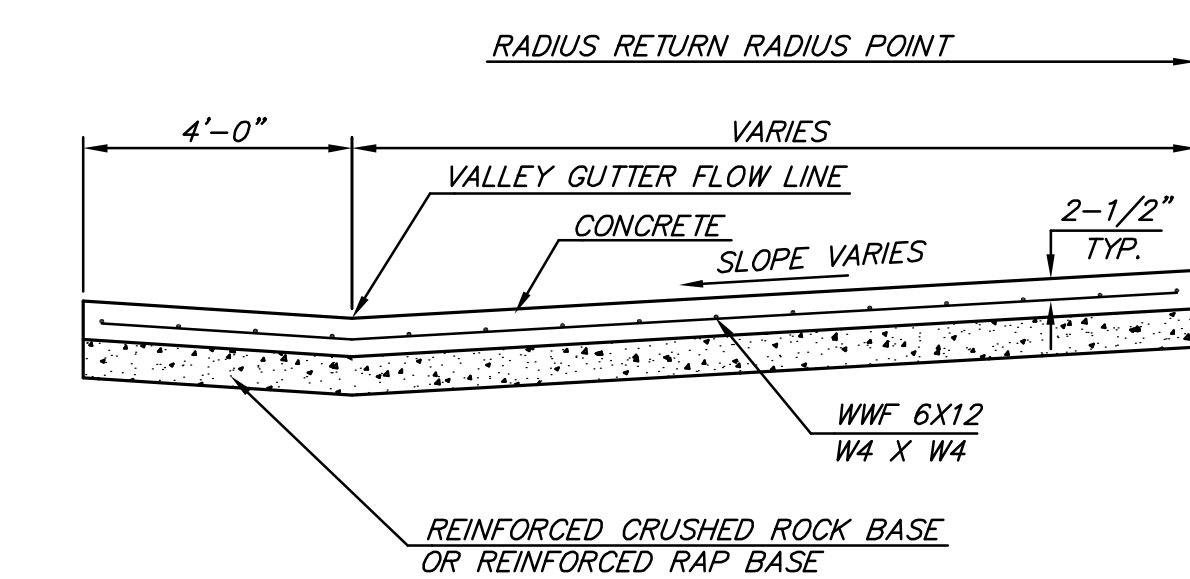
LONGITUDINAL JOINT DETAIL (L.J.)



PLAN

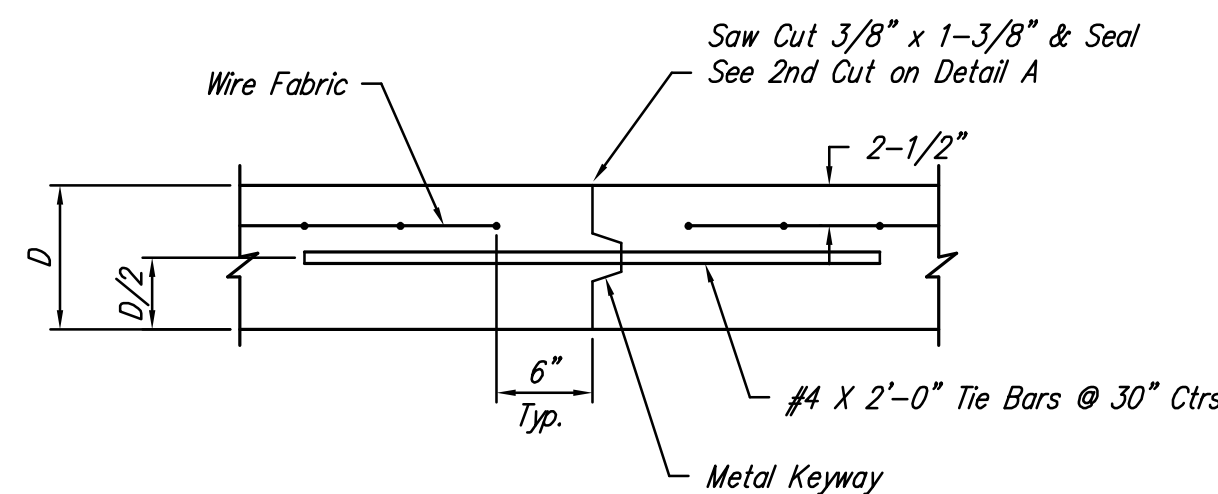
6" x 12" W4XW4 WIRE FABRIC REINFORCING SHALL BE PLACED SUCH THAT THE WIRES WITH THE 6" SPACING WILL RUN PARALLEL WITH THE LONGITUDINAL JOINT.

SEE WING REINF. DETAIL

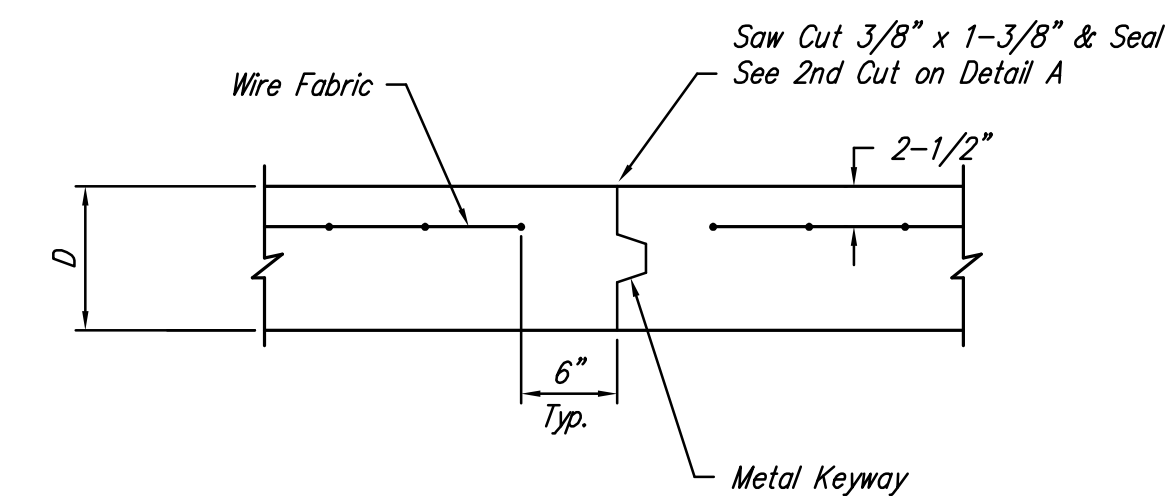


SECTION A-A

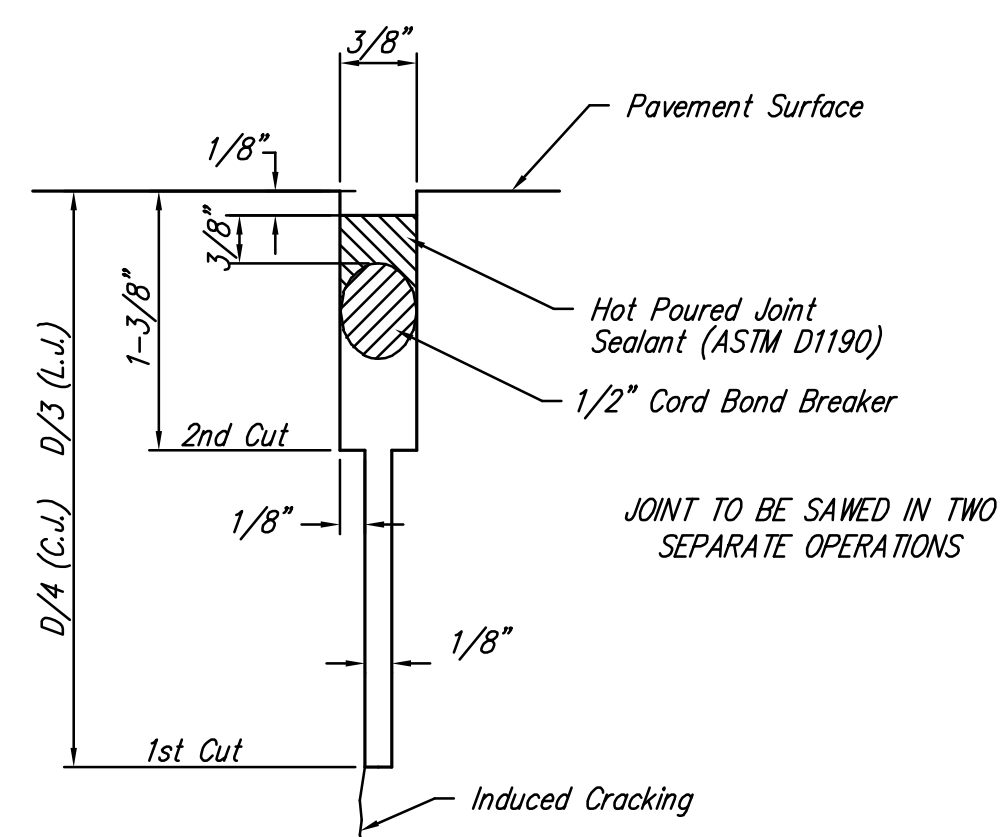
REINFORCED VALLEY GUTTER DETAIL



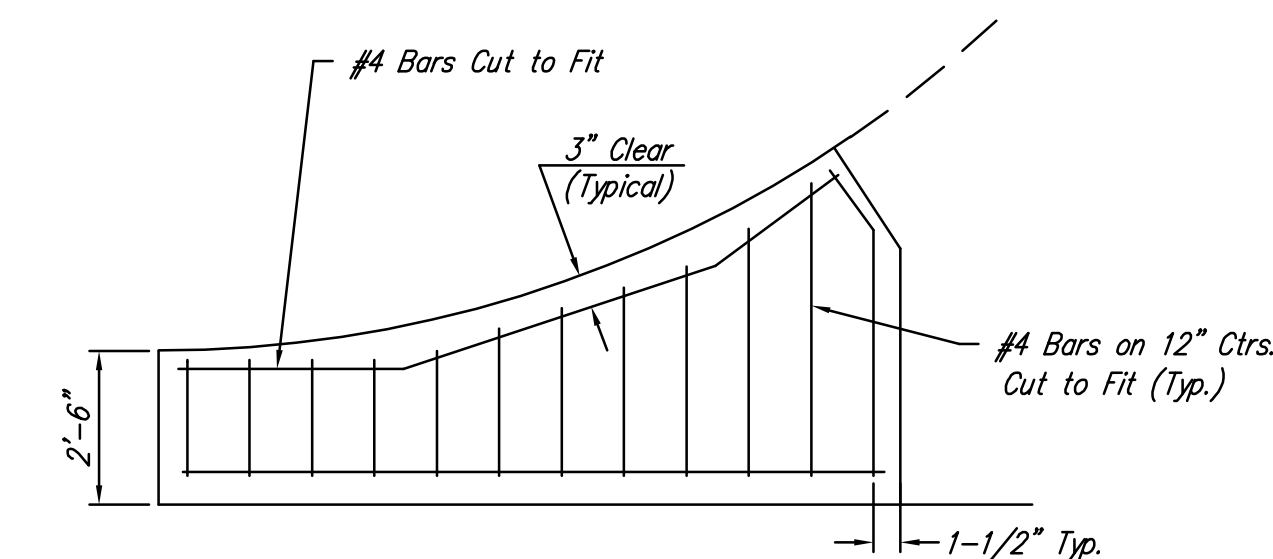
OPTIONAL LONGITUDINAL JOINT DETAIL (L.J.)



OPTIONAL CONTRACTION JOINT



SAW JOINT DETAIL



WING REINFORCING DETAIL

<p>THE CITY OF WICHITA</p>	VALLEY GUTTER DETAILS	
	JAMES L. ARMOUR, P.E. - CITY ENGINEER	
	PROJECT NUMBER 472-84688	OCA NUMBER 766208
	DATE May 08	Sheet 3 of 23

CITY ENGINEER'S OFFICE
CITY HALL - SEVENTH FLOOR
455 NORTH MAIN STREET
WICHITA, KANSAS 67202
(316) 268-4501
(316) 268-4114 FAX

J:\CIVIL\04274\DWG\PAV\RESIDENTIAL\TURN LANES\13TH STREET\BOUND\04274_ED02.DWG