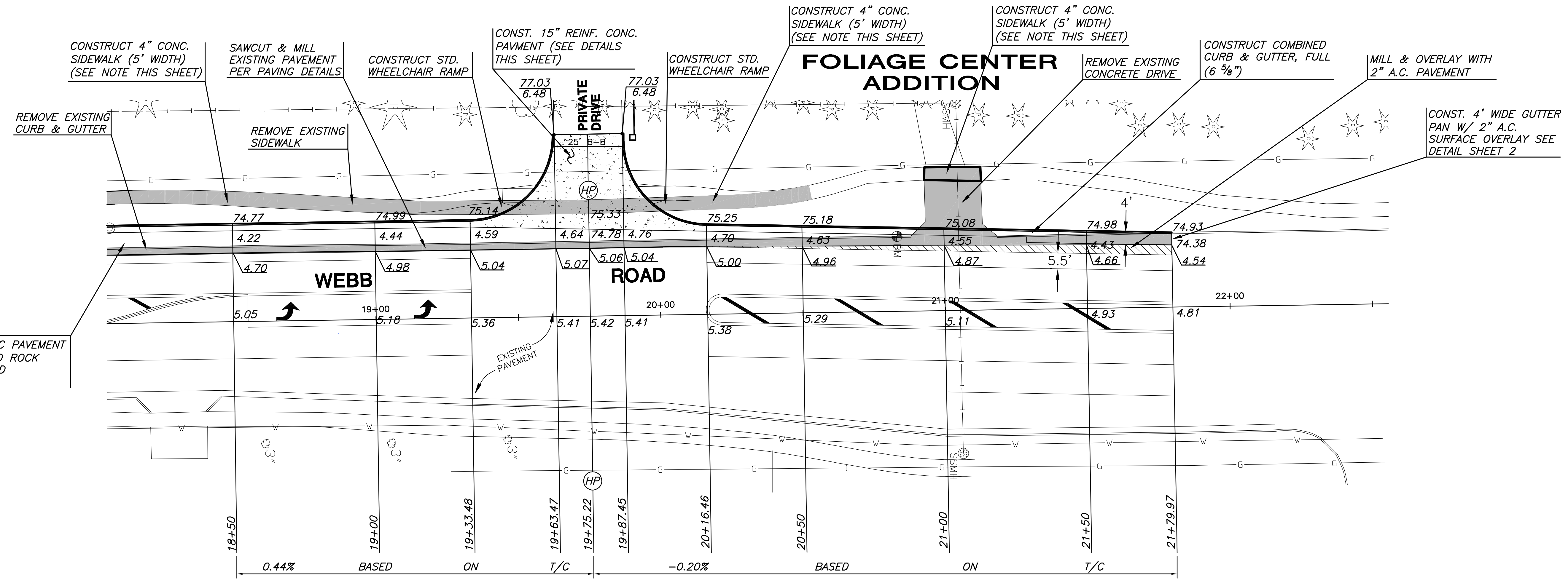
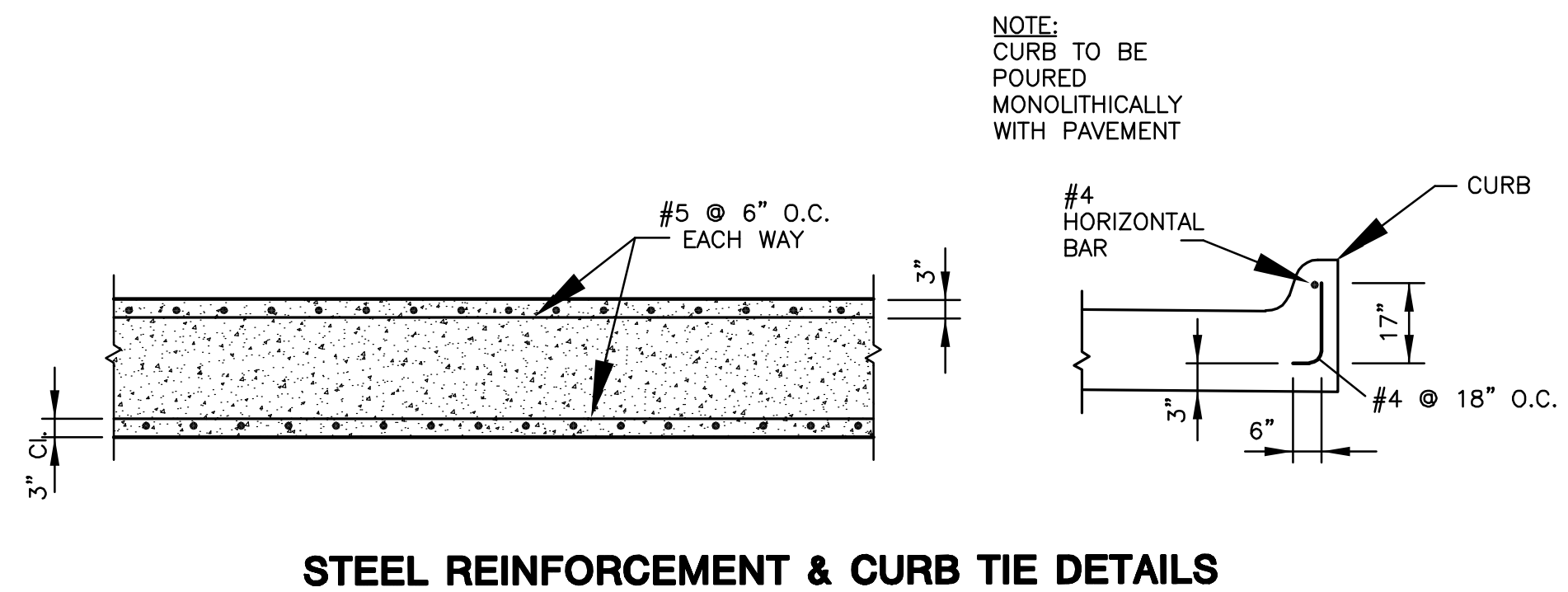
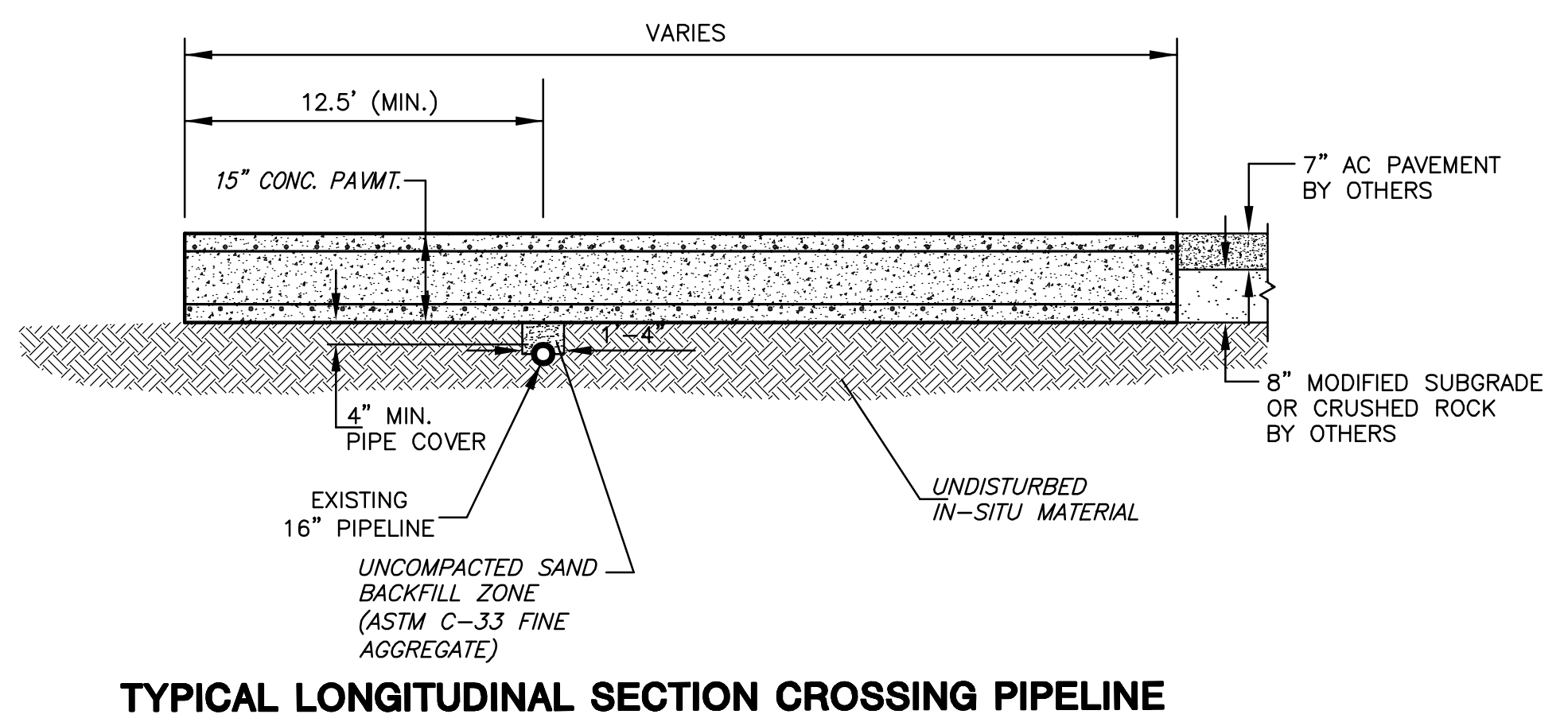


**NOTE:**  
SIDEWALK ALIGNMENT SUBJECT TO CHANGE. FINAL ALIGNMENT TO BE APPROVED BY MKEC'S LANDSCAPE ARCHITECT PRIOR TO CONSTRUCTION.

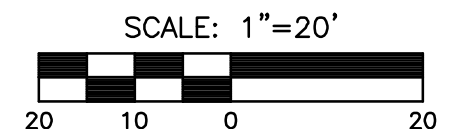


**THE WATERFRONT ADDITION**



**LEGEND**

- = REMOVAL
- = MILL & OVERLAY



**PAVING AND INCIDENTAL DRAINAGE PLANS FOR  
FOLIAGE CENTER ADDITION  
WEBB ROAD LEFT TURN LANES**

**PAVING PLAN**

SHEET TITLE  
**04274**  
PROJECT NUMBER

**SRS**  
DESIGN BY  
**TKL**  
DRAWN BY  
**DFL**  
CHECKED BY

ISSUED  
**May 2008**  
REVISED

SHEET NO.  
**6 of 26**