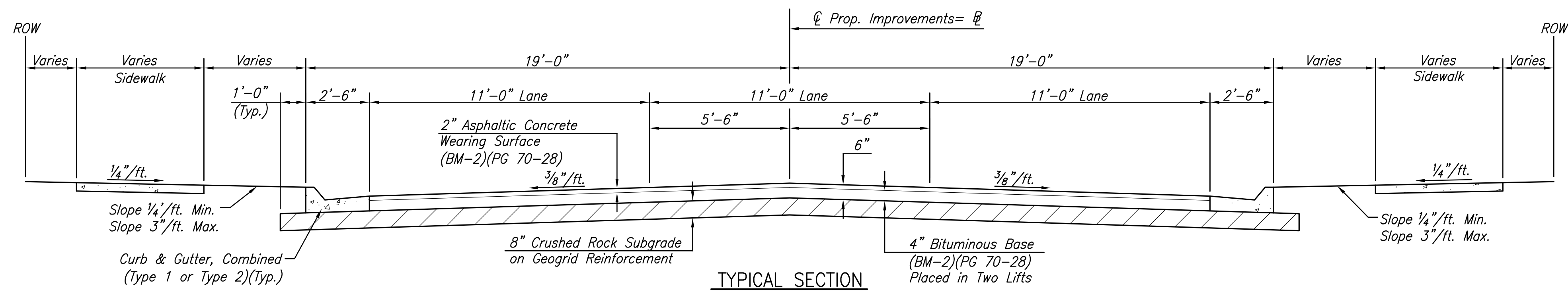
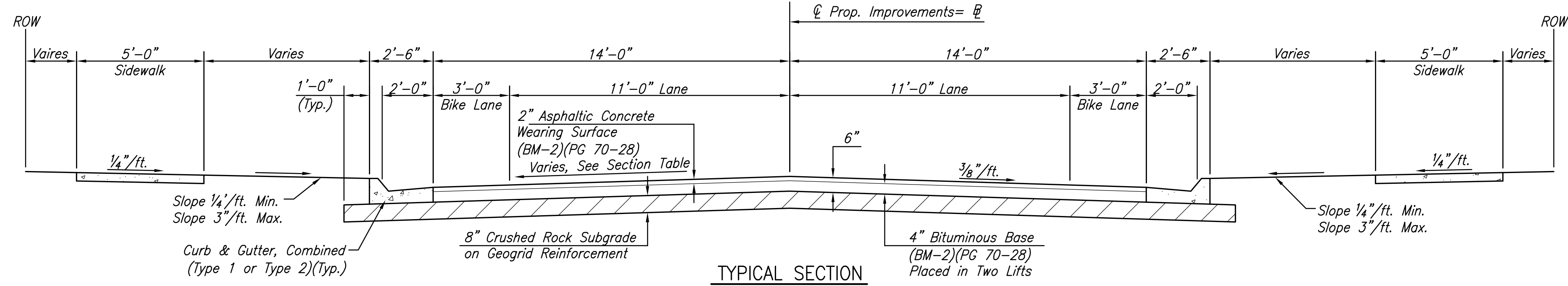


**MT VERNON STREET AND
DRAINAGE IMPROVEMENTS
FROM GREENWAY TO BROADWAY**

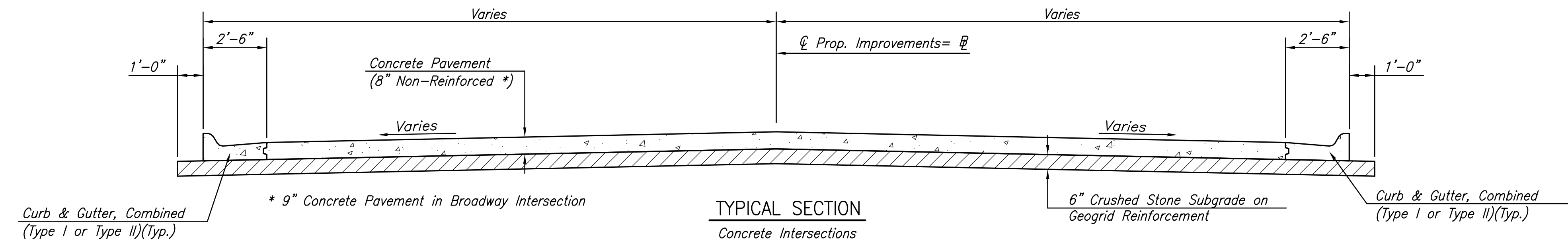


TYPICAL SECTION
Mt. Vernon
Sta. 43+47.02 to Sta. 45+97.02
Sta. 47+05.46 to Sta. 49+55.46

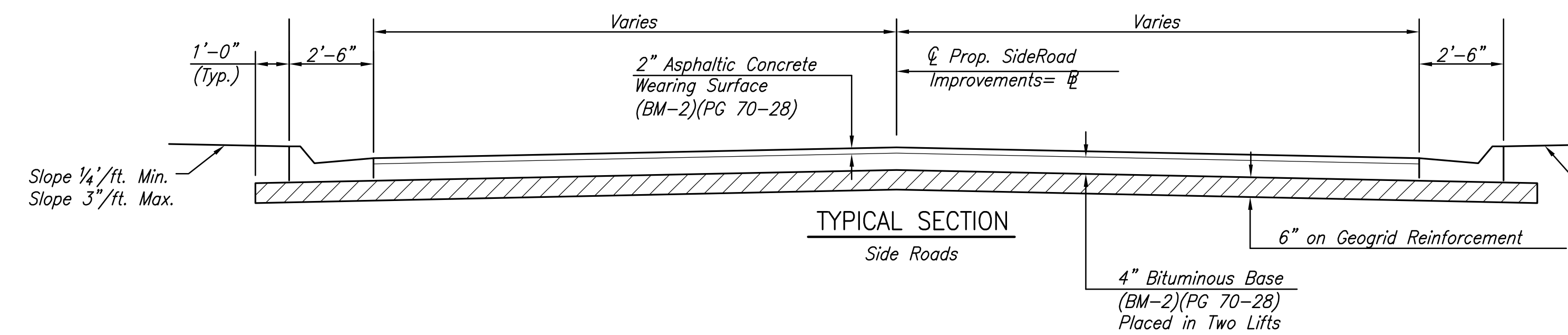


TYPICAL SECTION
Mt. Vernon
Sta. 11+87.43 to Sta. 43+47.02
(Except Concrete Intersections)

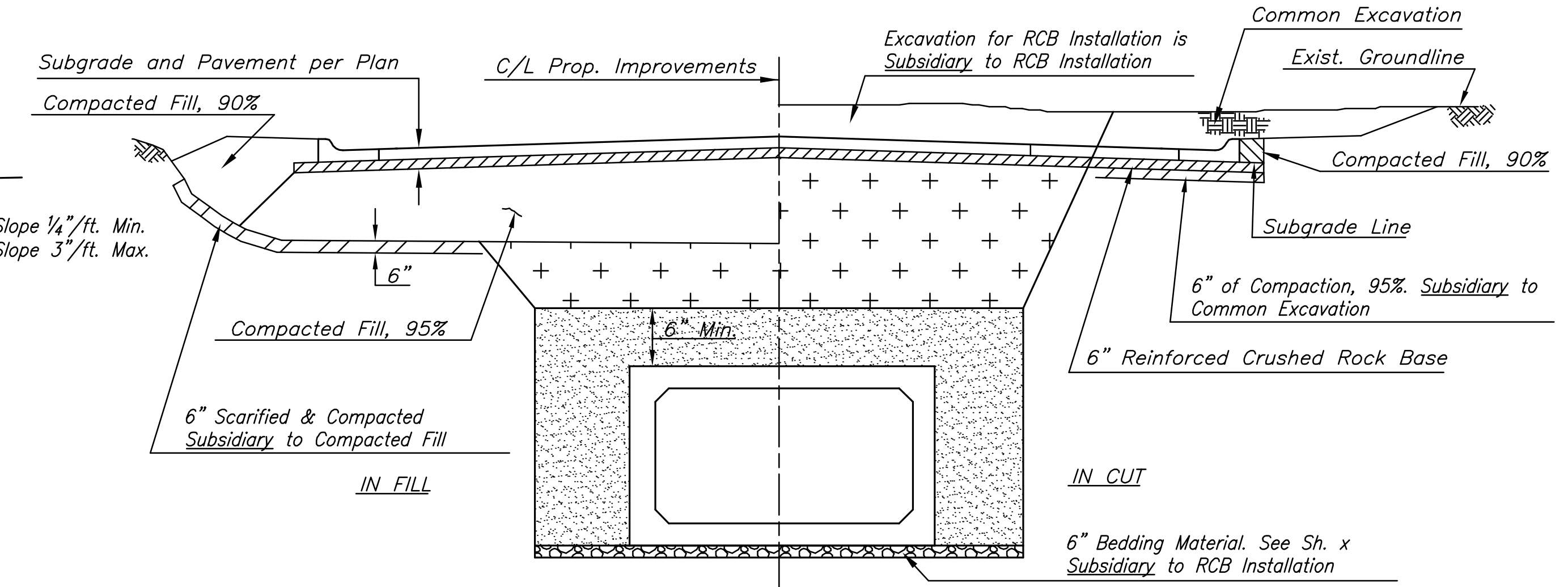
STATION	X-SLOPE
11+87.43 to 20+21.21	3/8" /ft.
20+82.05 to 21+50	Varies
21+50 to 43+47.02	3/8" /ft.



TYPICAL SECTION
Concrete Intersections



TYPICAL SECTION
Side Roads



FOUNDATION TREATMENT AND COMPACTION OF EARTHWORK

95% Compaction. Subsidiary to RCB Installation
 Sand Backfill, Jetted and Vibrated

TYPICAL SECTIONS
SHEET TITLE 472-84289
448-90385
468-84514
PROJECT NUMBER

JRA
 DESIGN BY
 JSB
 DRAWN BY
 JRA
 CHECKED BY

ISSUED
May 27, 2008

REVISED

SHEET NO.
3 of 120

PLOTTED: Tuesday, May 27, 2008 @ 04:27PM