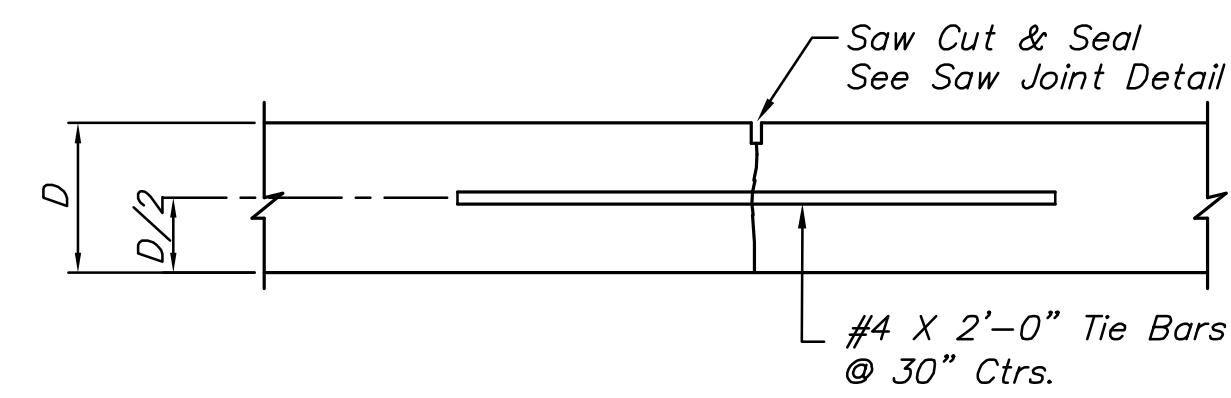
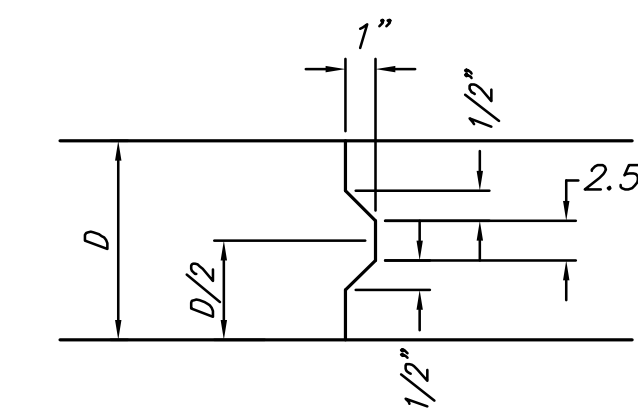


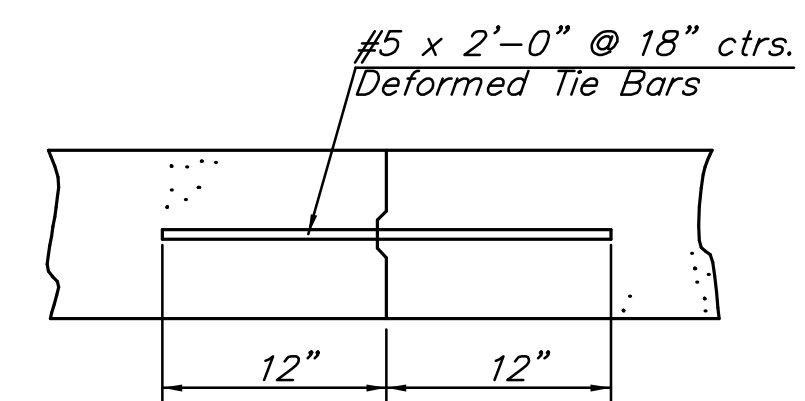
**ISOLATION JOINT (I.J.)**  
(At Structures)



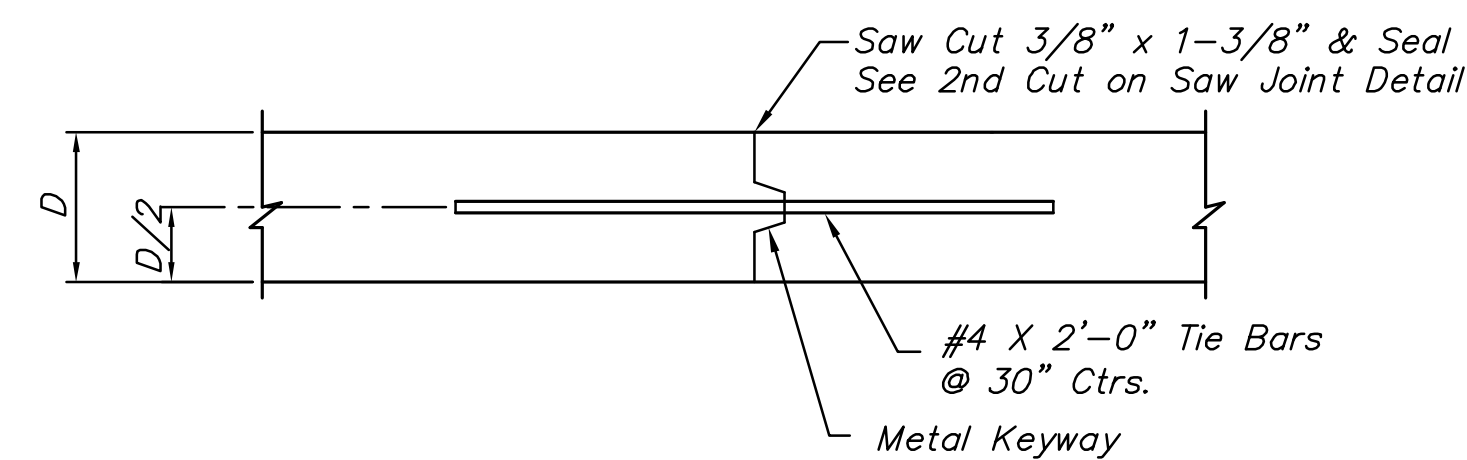
**LONGITUDINAL JOINT DETAIL (L.J.)**



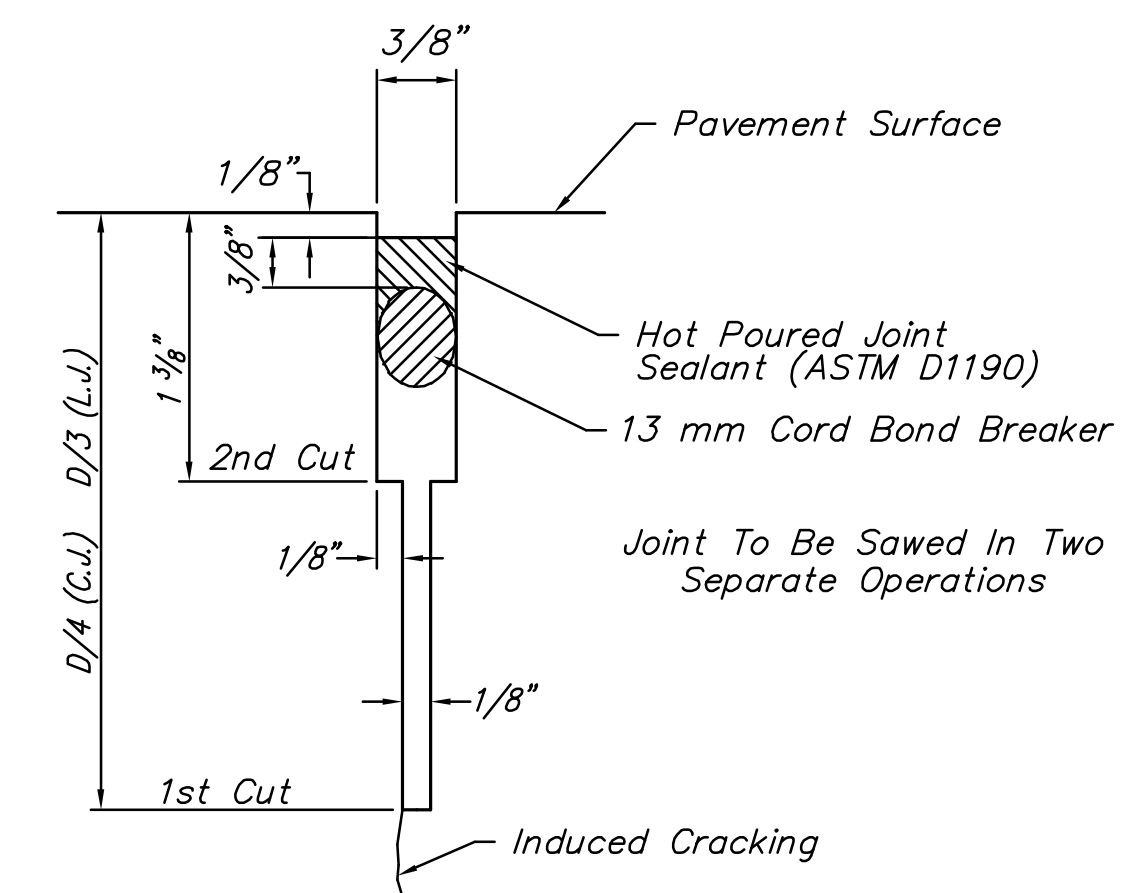
**KEYWAY DETAIL**



**TIED CONSTRUCTION (T.J.) AND  
CONTRACTION (C.J.) JOINT DETAIL**

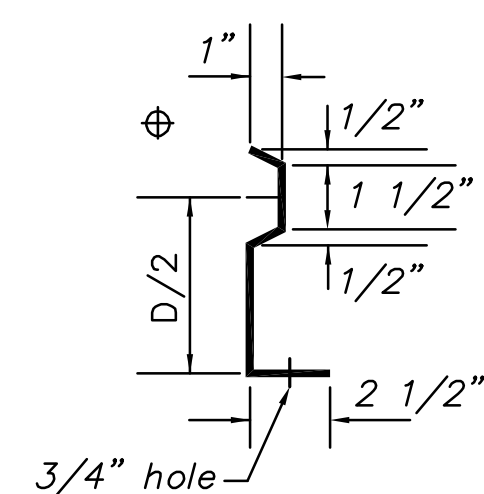


**OPTIONAL LONGITUDINAL JOINT DETAIL (L.J.)**



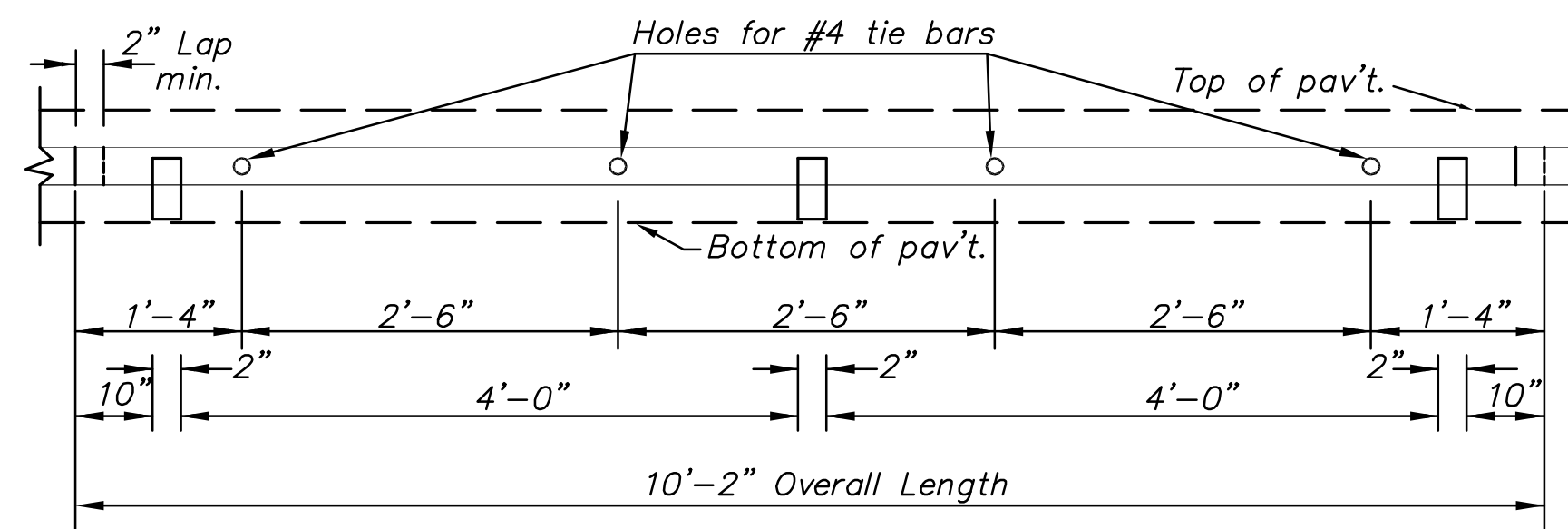
**SAW JOINT DETAIL**

Note: Contraction joints will be constructed at the planned location or as directed by the Engineer. When necessary to interrupt continuous placement for a substantial length of time or at the end of a day's pour, the Contractor has the option of ending placement at a contraction joint or with a construction joint located a minimum of five (5) feet from a contraction joint. Either joint type may be constructed by placing a header at the end of the pour or by paving past the joint location, sawing the joint after the concrete has hardened, and drilling holes for the tie bars and securing into the concrete with epoxy or cement grout.



**SECTION OF RECESSED  
FORM LEG**

⊕ Snap-in leg or other approved designs may be used in lieu of welded leg.



**METAL STRIP FOR LONGITUDINAL CONSTRUCTION JOINT**

To be used only against forms. Shall not extend through contraction or expansion joints. Other types of construction shall be permitted with the approval of the engineer.

**MT VERNON STREET AND  
DRAINAGE IMPROVEMENTS  
FROM GREENWAY TO BROADWAY**

**CONCRETE  
PAVEMENT  
DETAILS**

SHEET TITLE 472-84289  
448-90385  
468-84514  
PROJECT NUMBER

DESIGN BY JRA  
DRAWN BY JSB  
CHECKED BY JRA

ISSUED  
May 27, 2008  
REVISED

SHEET NO.  
20 of 120