

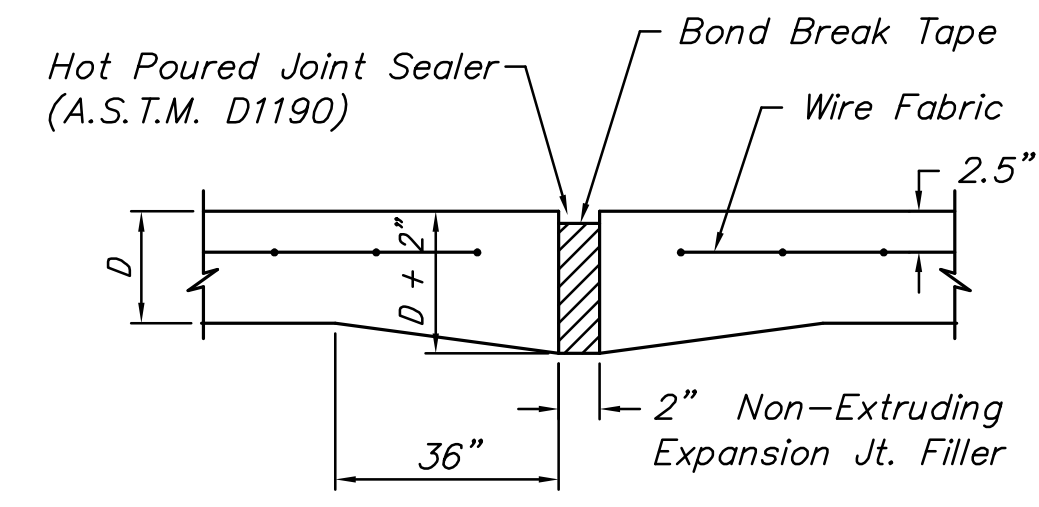
**MT VERNON STREET AND
DRAINAGE IMPROVEMENTS
FROM GREENWAY TO BROADWAY**

**VALLEY GUTTER
DETAILS**
SHEET TITLE 472-84289
448-90385
468-84514
PROJECT NUMBER

DESIGN BY JRA
DRAWN BY JSB
CHECKED BY JRA

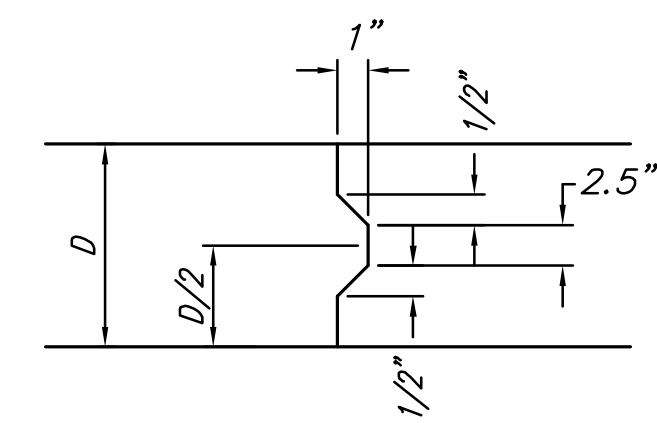
ISSUED
May 27, 2008
REVISED

SHEET NO.
21 of 120

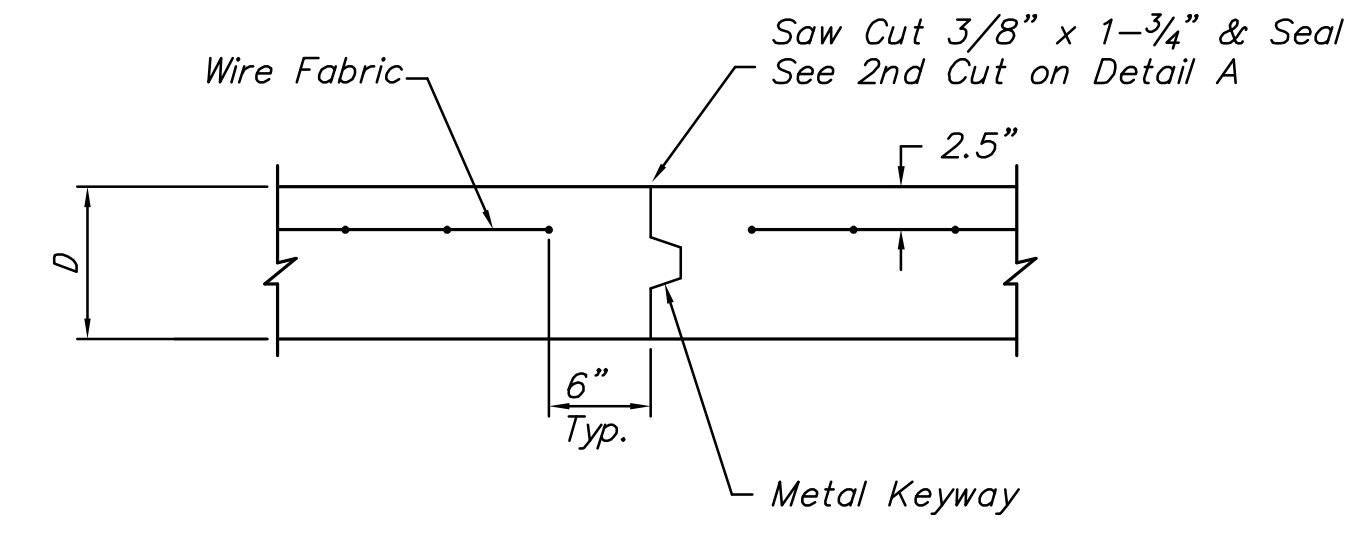


EXPANSION JOINT

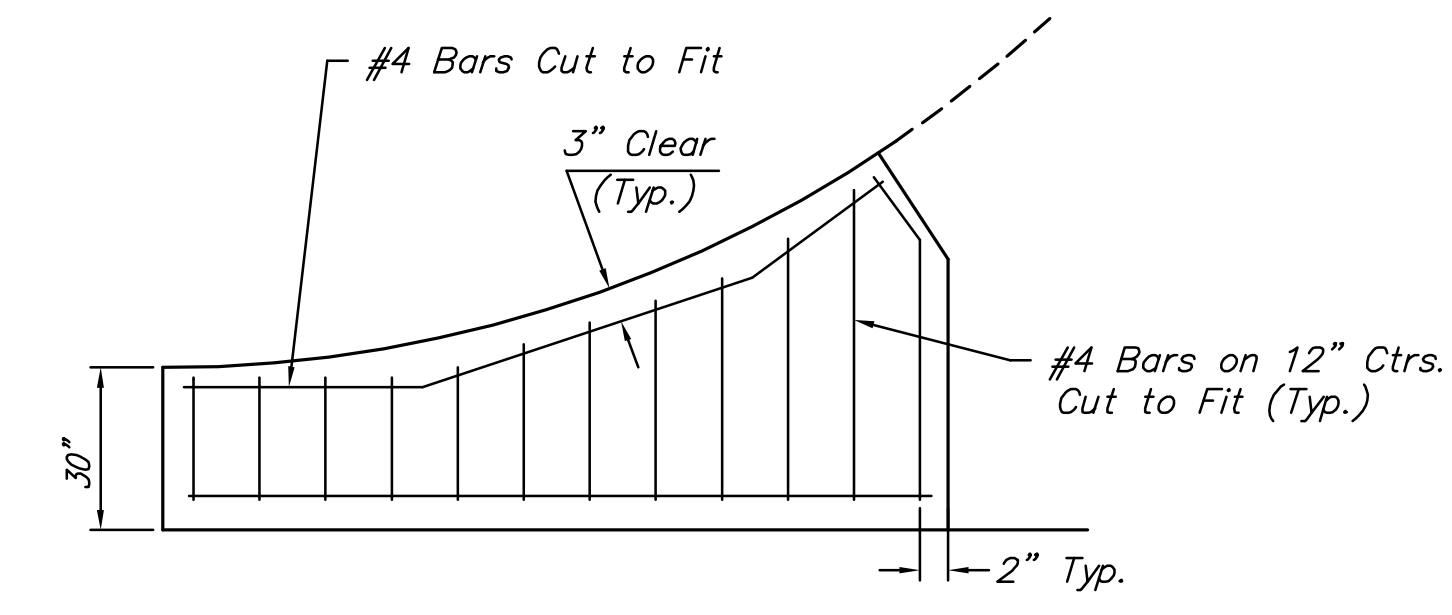
NOTE: Extra Thickness to be Subsidiary to Price of Square Yards Pavement



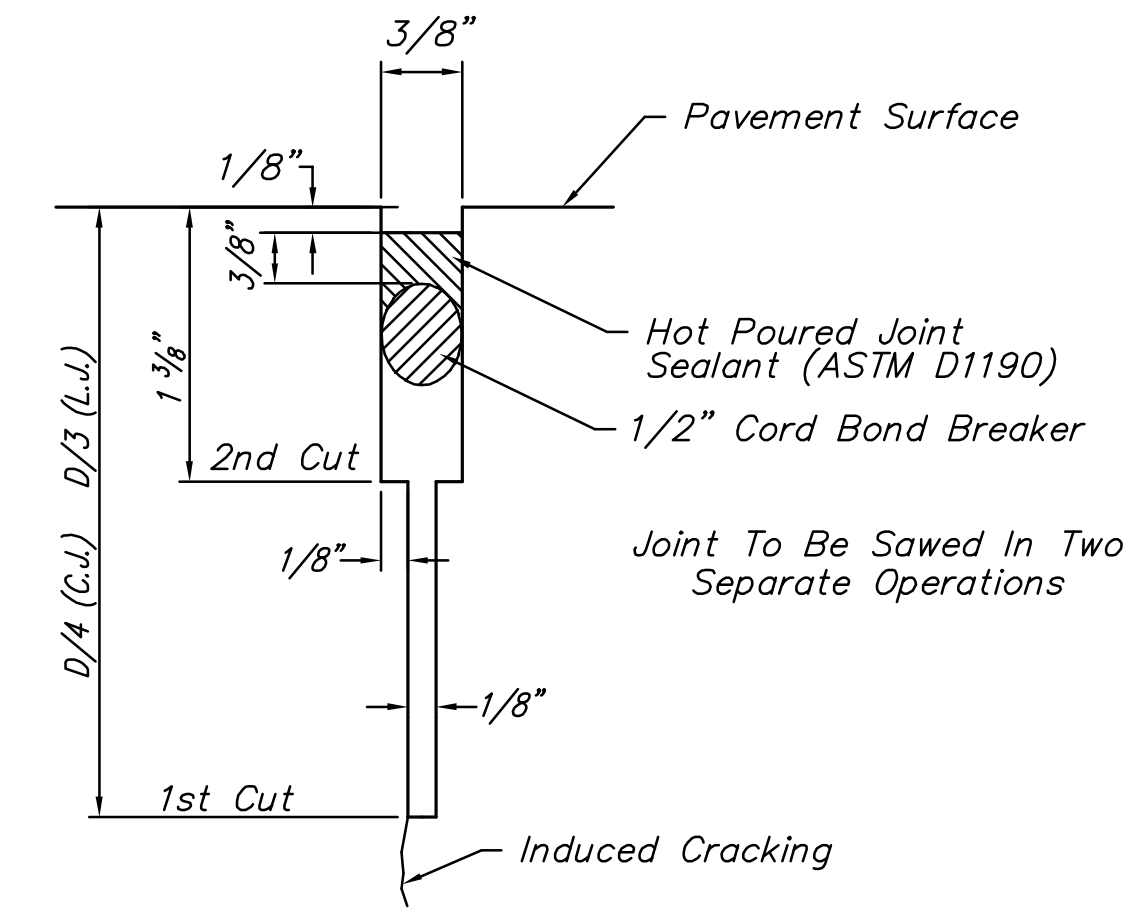
KEYWAY DETAIL



OPTIONAL CONTRACTION JOINT

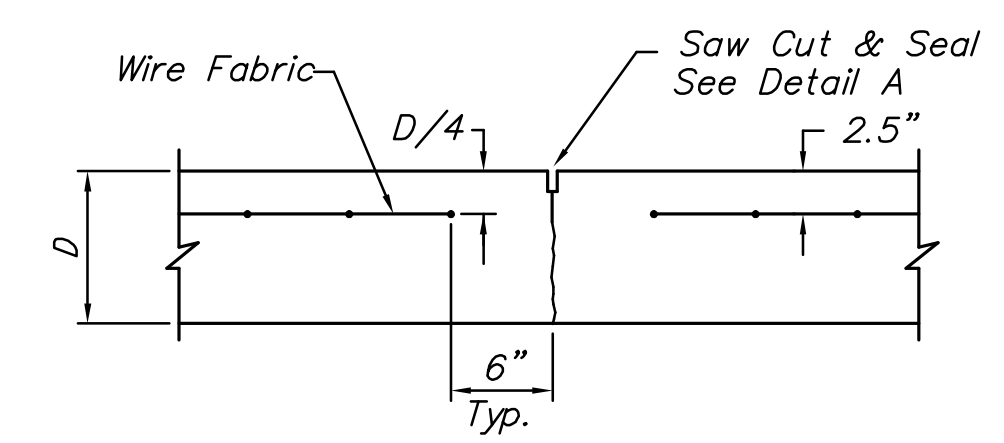


WING REINFORCING DETAIL

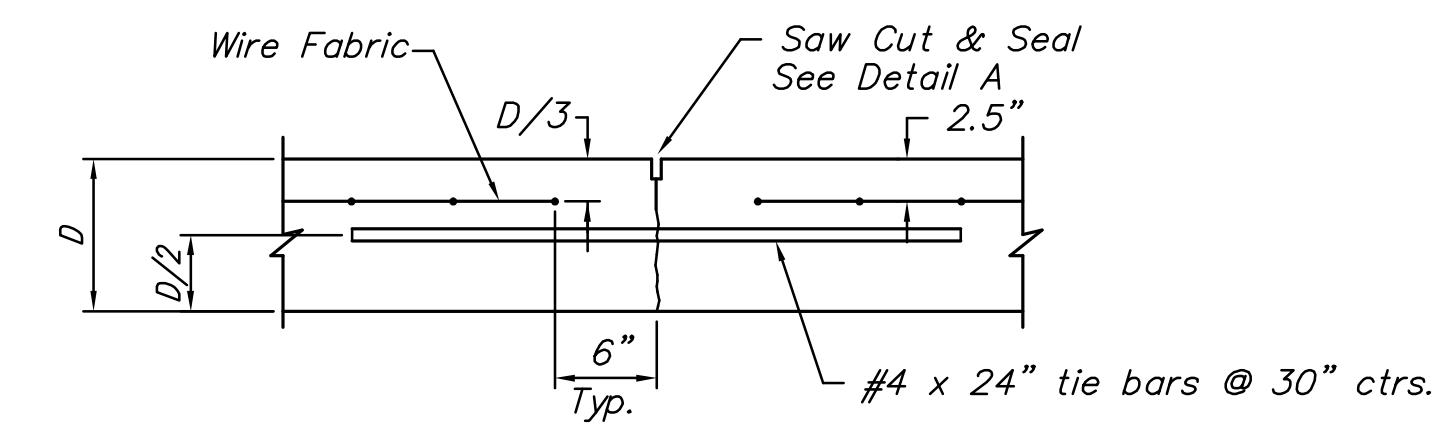


SAW JOINT DETAIL

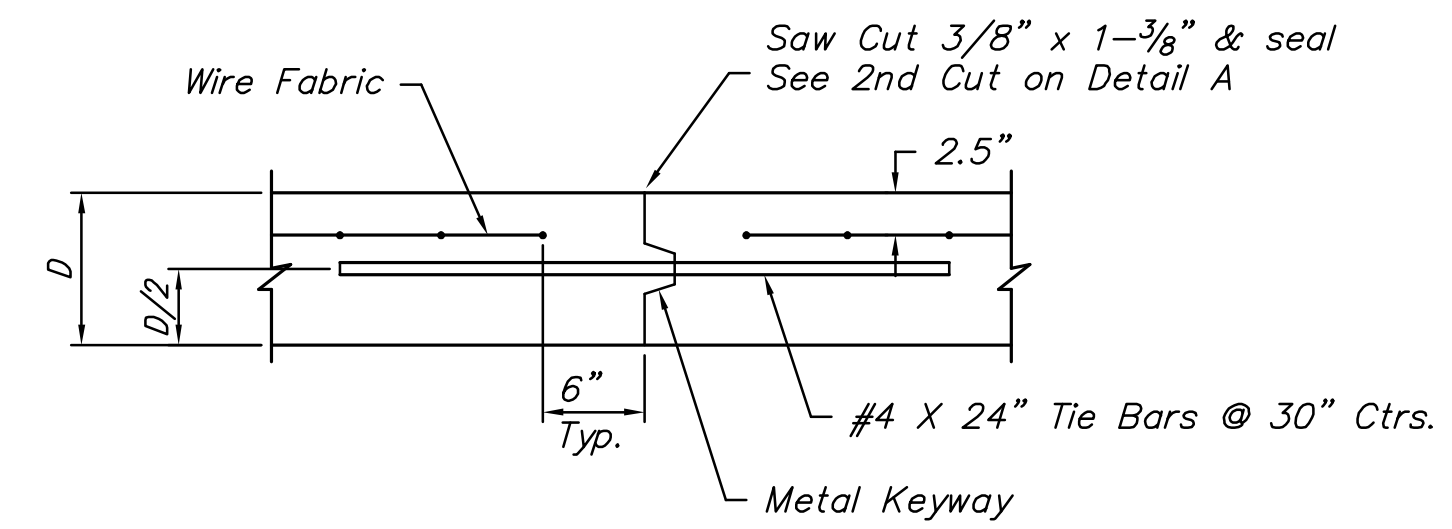
D = 8"



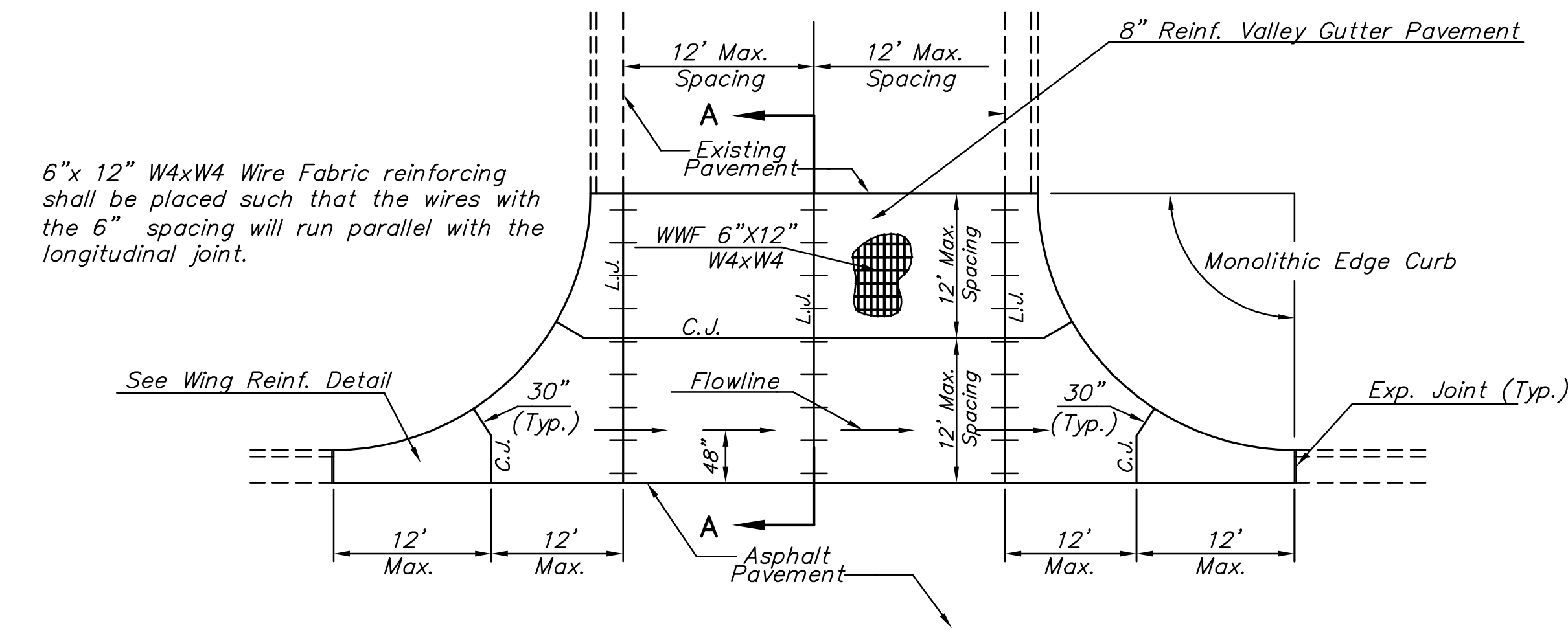
CONTRACTION JOINT DETAIL (C.J.)



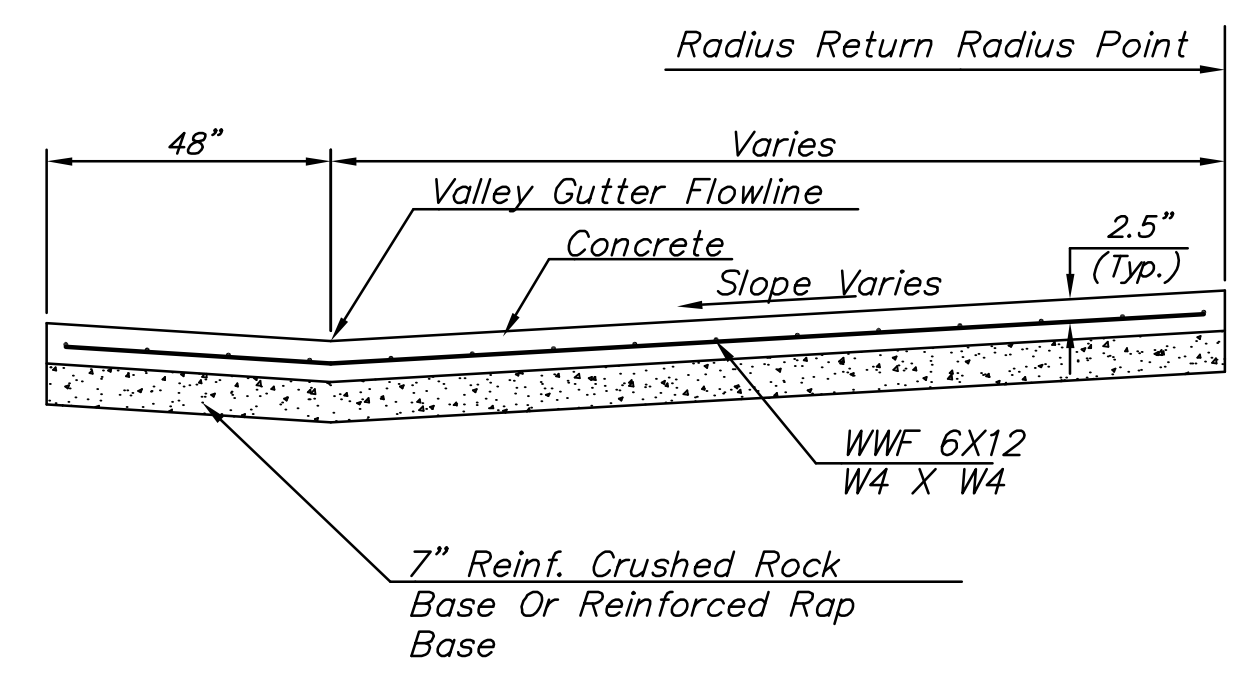
LONGITUDINAL JOINT DETAIL (L.J.)



OPTIONAL LONGITUDINAL JOINT DETAIL (L.J.)



PLAN



SECTION A-A

**REINFORCED VALLEY GUTTER DETAIL
(FOR INFORMATION ONLY)**

PLOTTED: Tuesday, May 27, 2008 @ 04:30PM

J:\CIVIL\05620\DWG\DETAILS\05620-VG.DWG