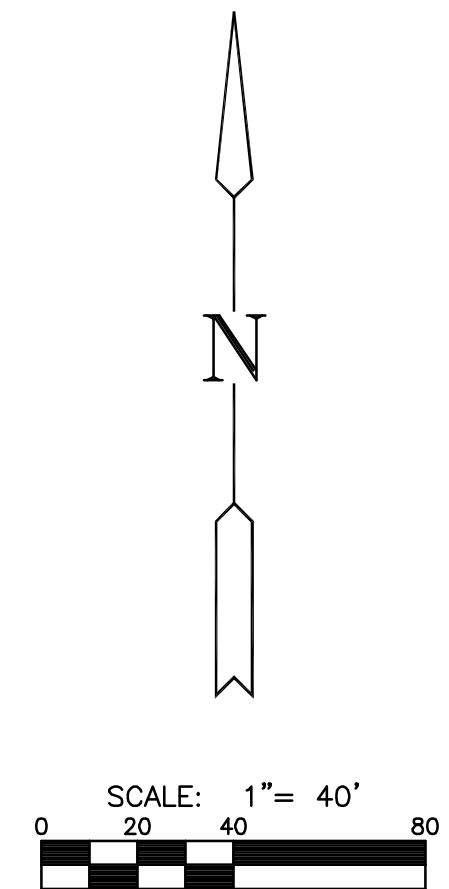
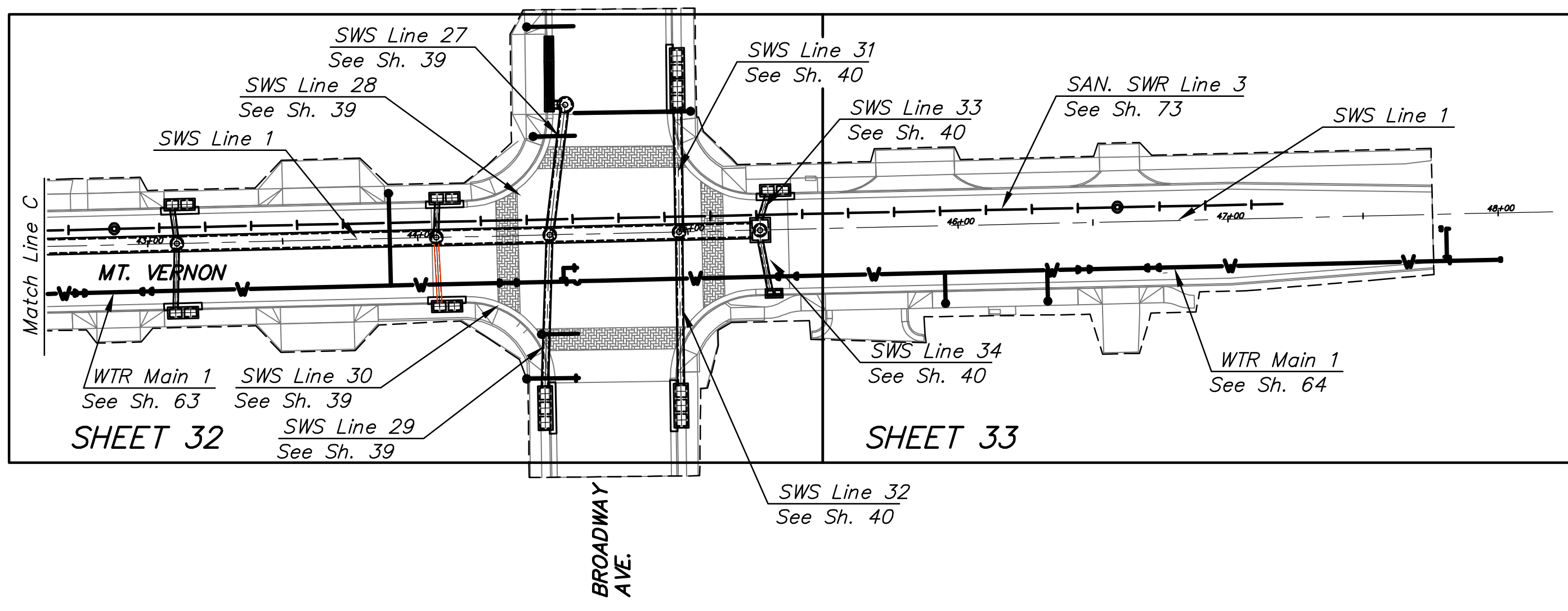
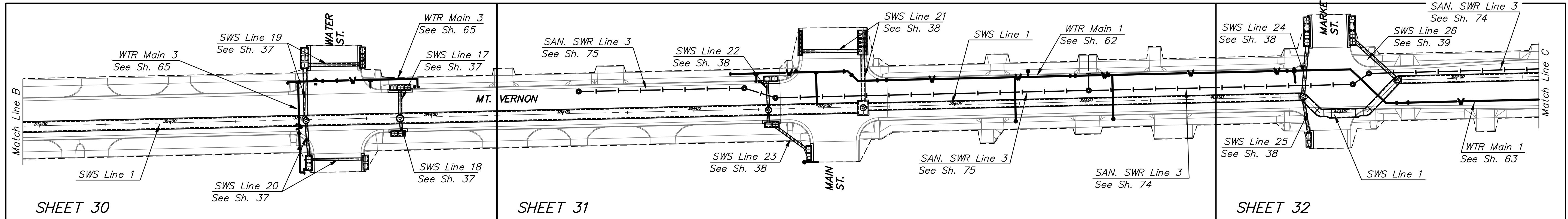
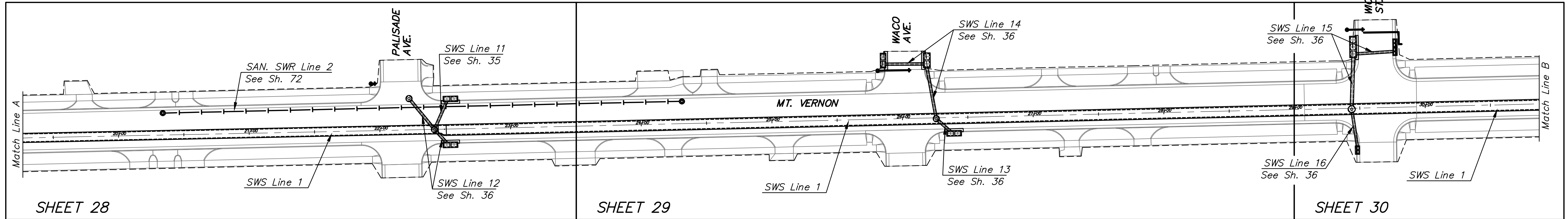
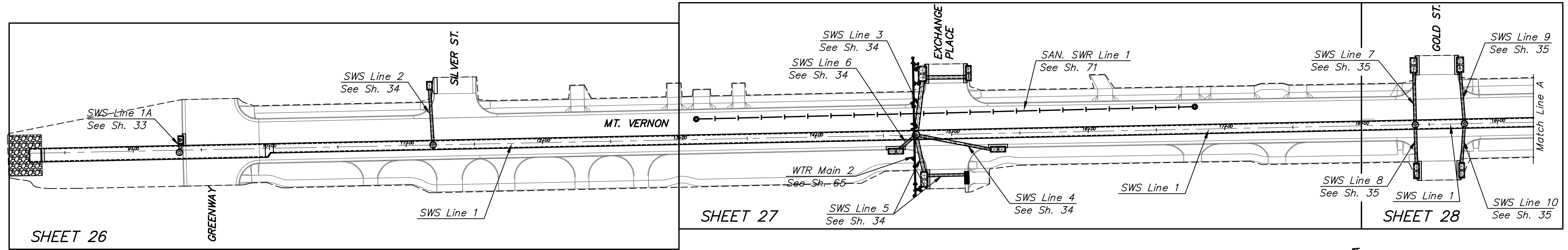


**MT VERNON STREET AND  
DRAINAGE IMPROVEMENTS  
FROM GREENWAY TO BROADWAY**



**UTILITY KEY MAP**

SHEET TITLE	472-84289
	448-90385
	468-84514
PROJECT NUMBER	

DESIGN BY	JRA
DRAWN BY	JSB
CHECKED BY	JRA

ISSUED	May 27, 2008
REVISED	

PLOTTED: Tuesday, May 27, 2008 @ 04:51PM

J:\CIVIL\05620\DWG\TITLE\05620-KEYMAP.DWG