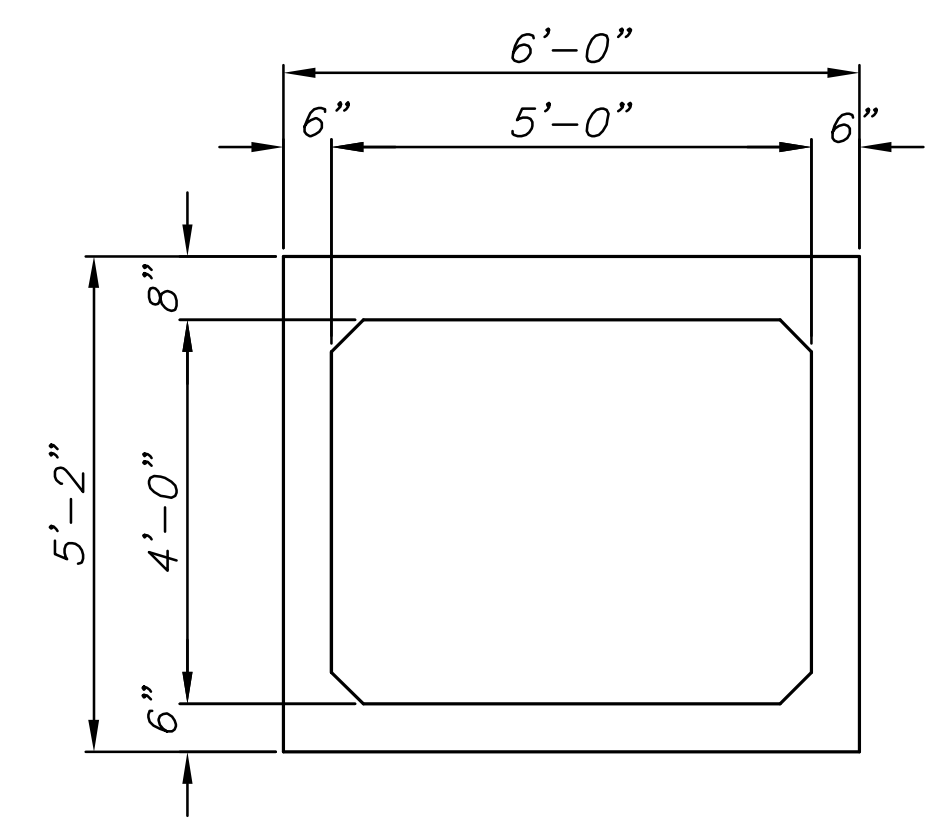
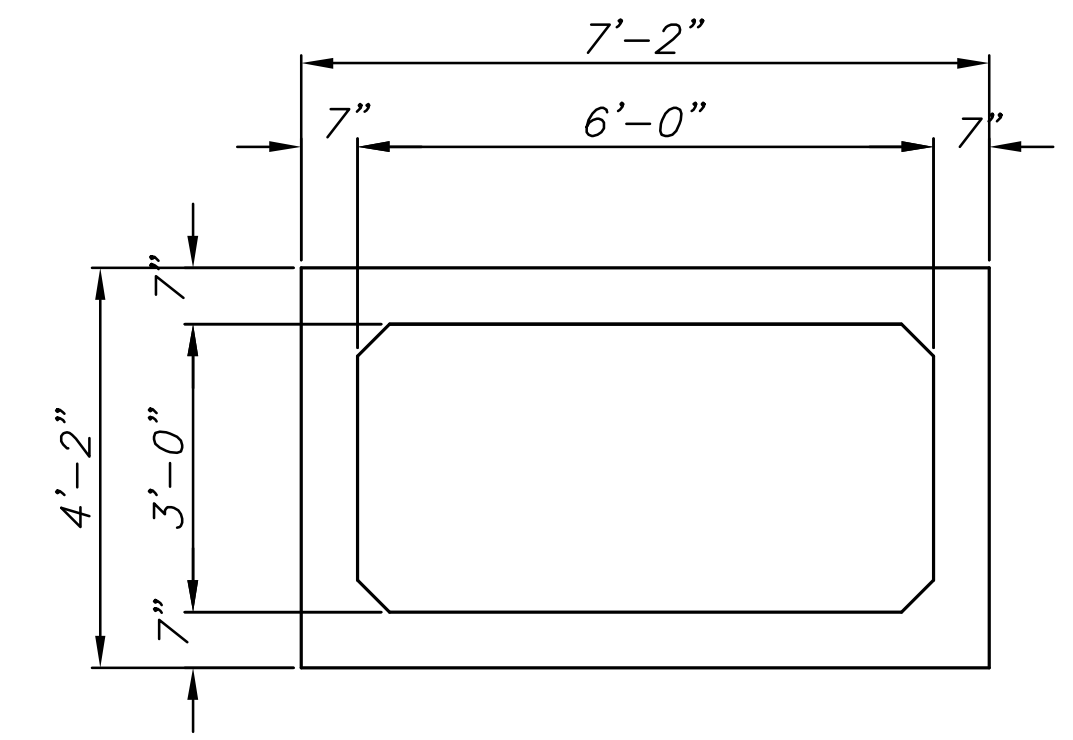


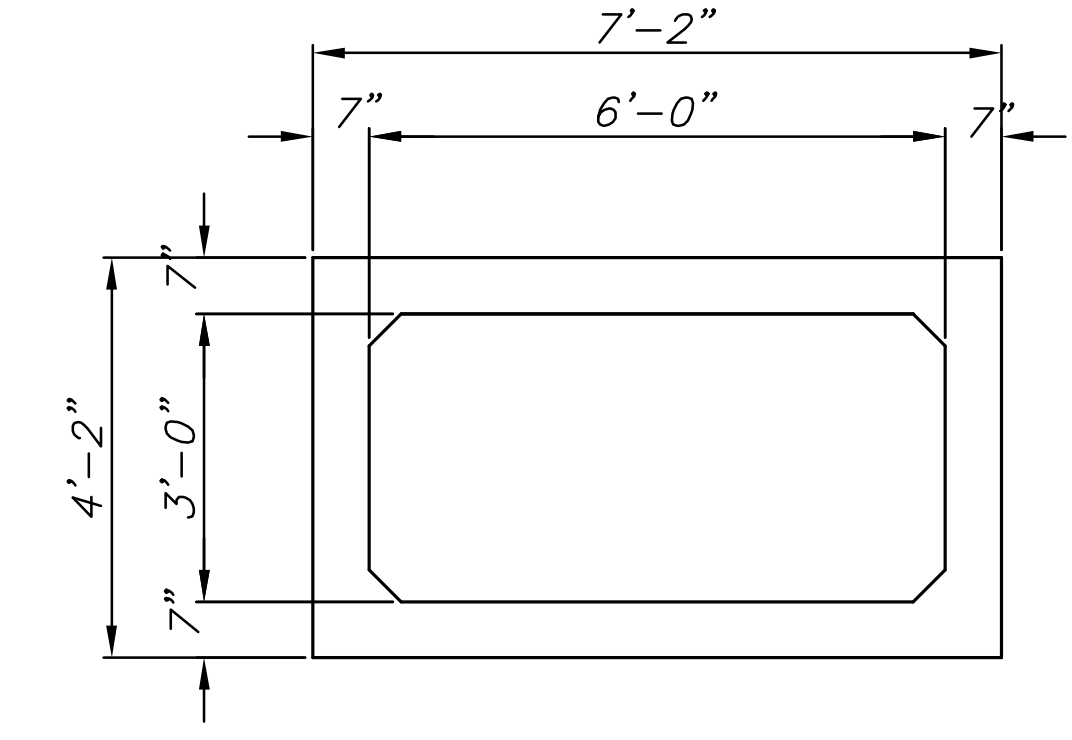
**MT VERNON STREET AND  
 DRAINAGE IMPROVEMENTS  
 FROM GREENWAY TO BROADWAY**



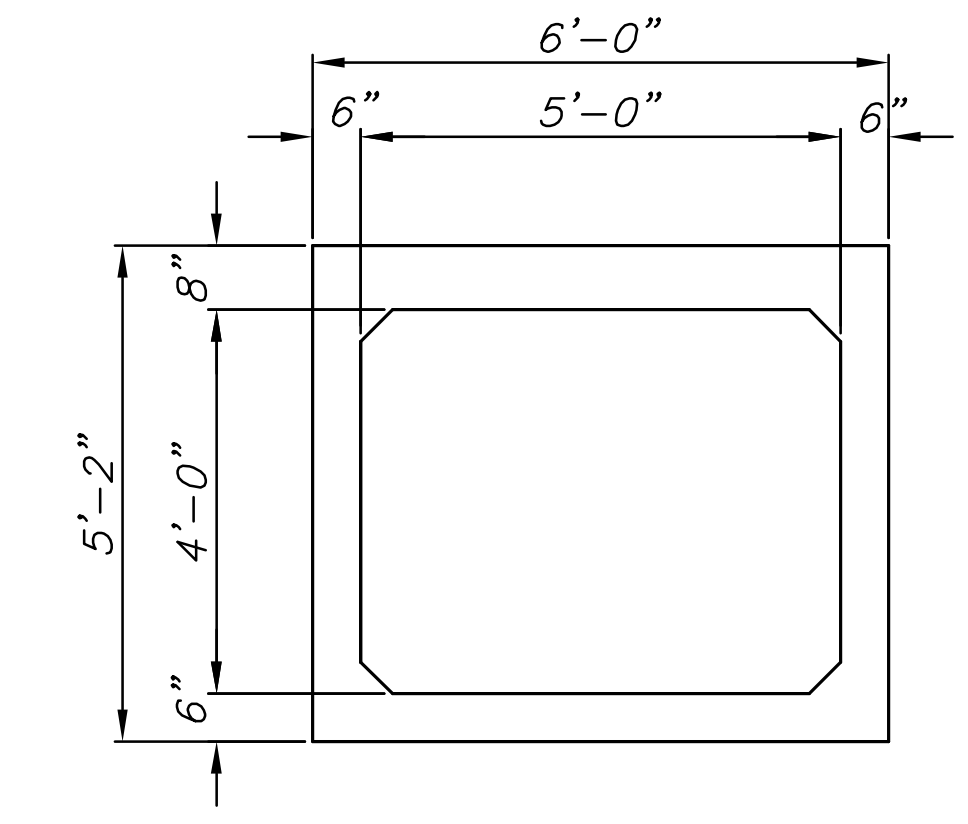
TYPICAL SECTION  
 (5'-0" X 4'-0" R.C.B.)



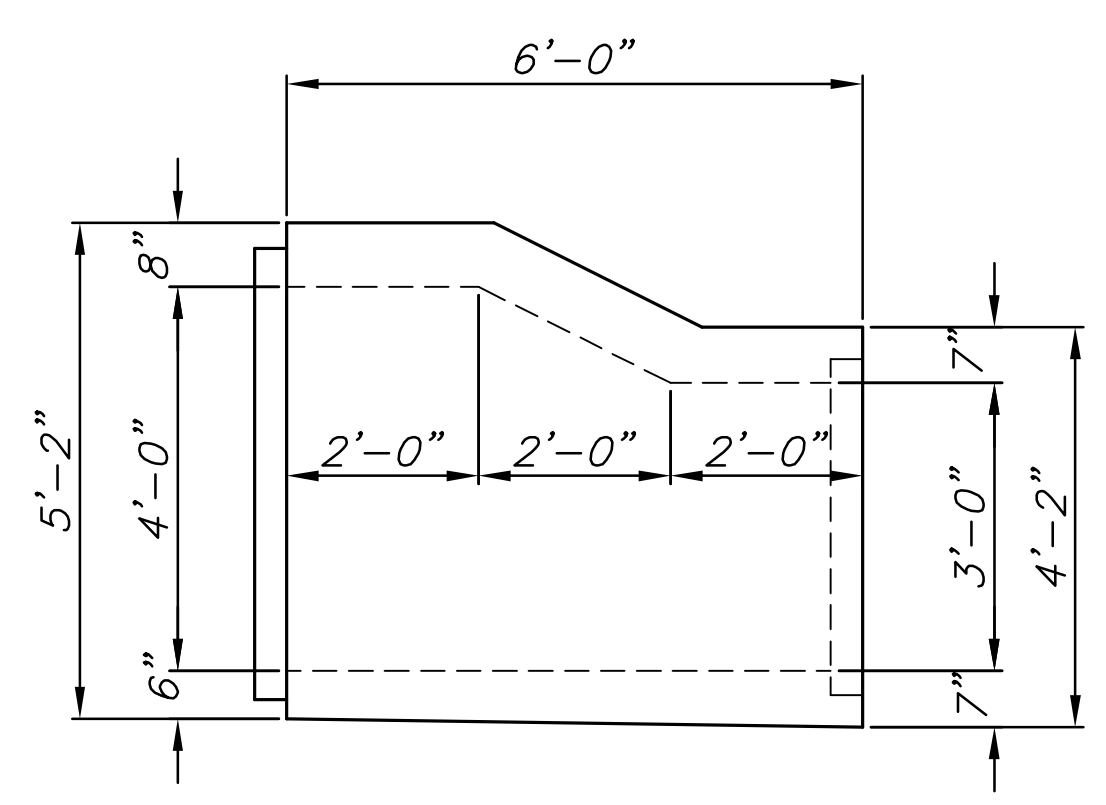
TYPICAL SECTION  
 (6'-0" X 3'-0" R.C.B.)



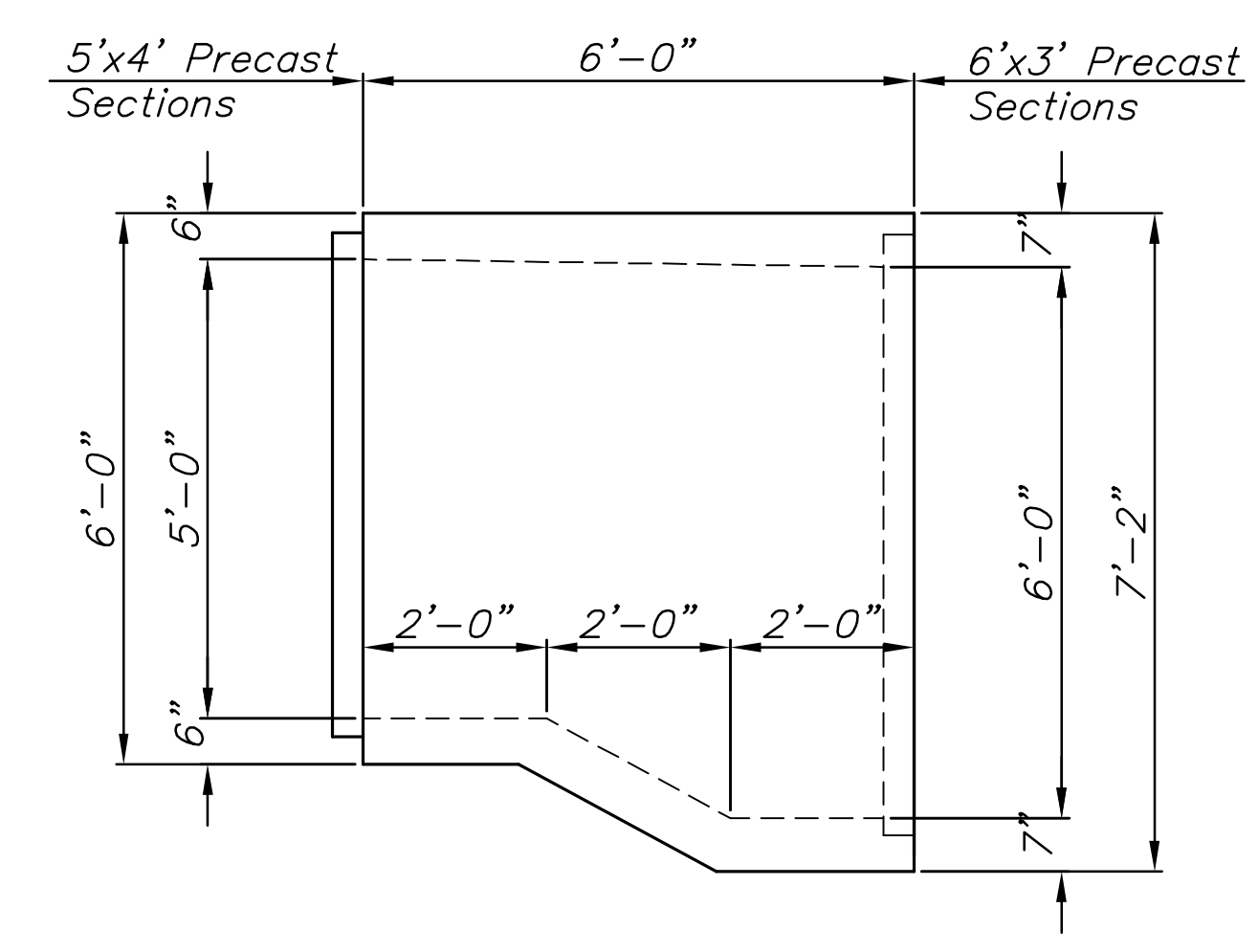
TYPICAL SECTION  
 (6'-0" X 3'-0" R.C.B.)



TYPICAL SECTION  
 (5'-0" X 4'-0" R.C.B.)

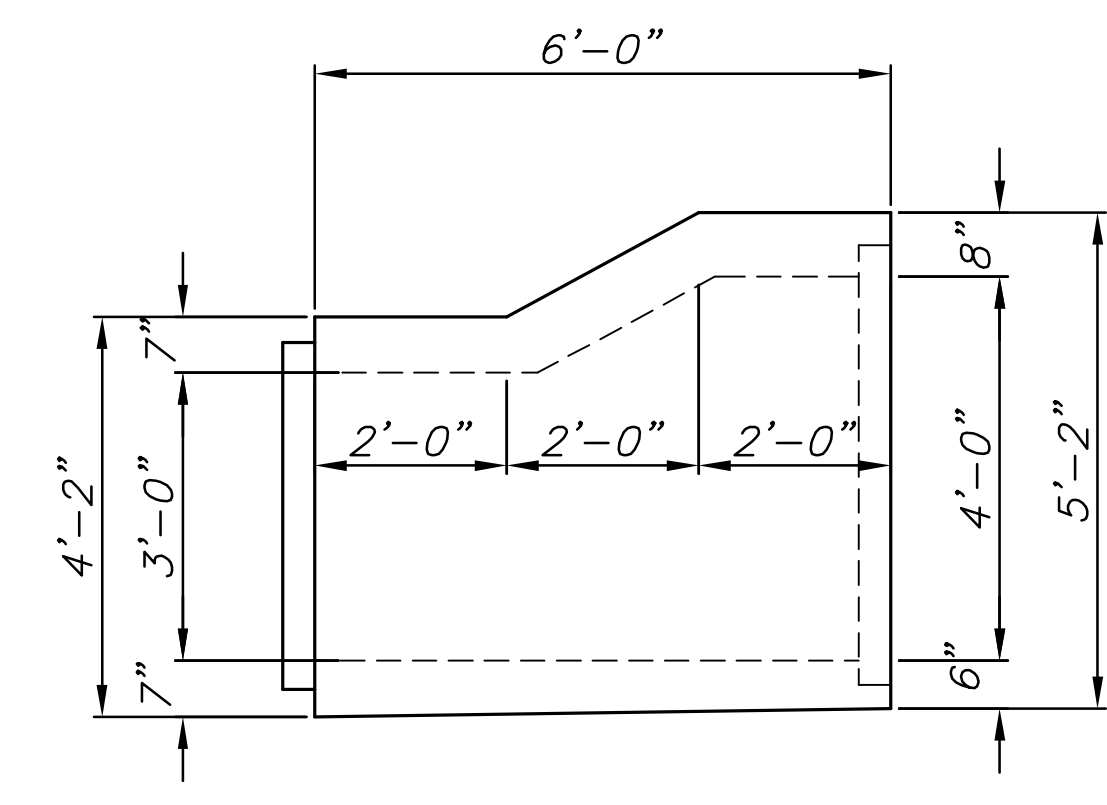


ELEVATION

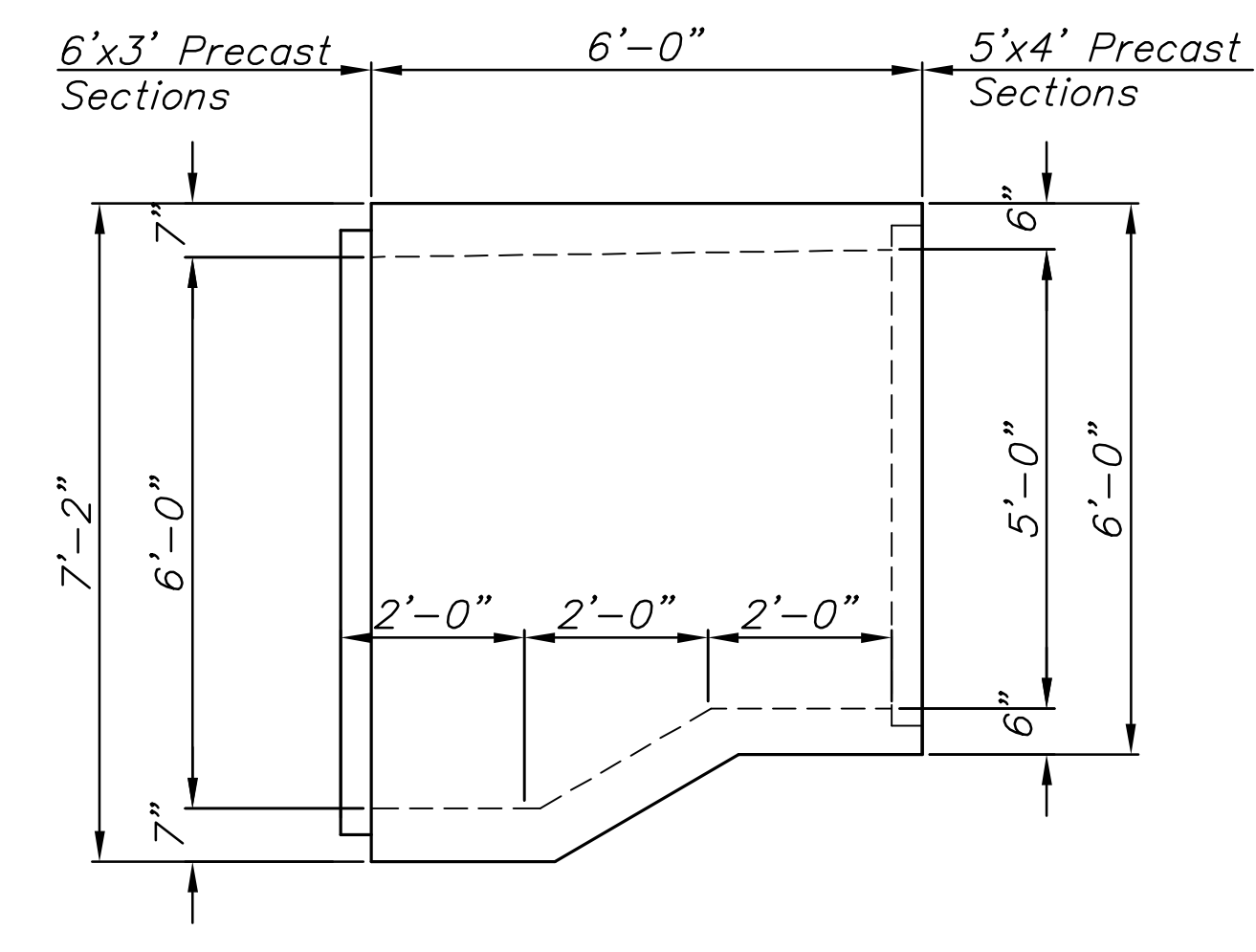


PLAN  
 (Sta. 40+90.79)

5'X4' TO 6'X3' R.C.B. TRANSITION



ELEVATION



PLAN  
 (Sta. 41+14.79)

6'X3' TO 5'X4' R.C.B. TRANSITION

PLOTTED: Tuesday, May 27, 2008 @ 04:34PM

**R.C.B.C.  
 TRANSITION  
 DETAILS**

SHEET TITLE	472-84289
	448-90385
	468-84514
PROJECT NUMBER	

DESIGN BY	JRA
DRAWN BY	JSB
CHECKED BY	JRA

ISSUED	May 27, 2008
REVISED	

J:\CIVIL\05620\DWG\DETAILS\05620DD-4.DWG