

PAVEMENT UNDERDRAIN AT SUMPS

NOTE:
Place 4" PVC Perforated Pipe at all drainage sump locations.

Cost of Underdrain System at sumps to be incidental to the Reinforced Crushed Rock Subgrade.

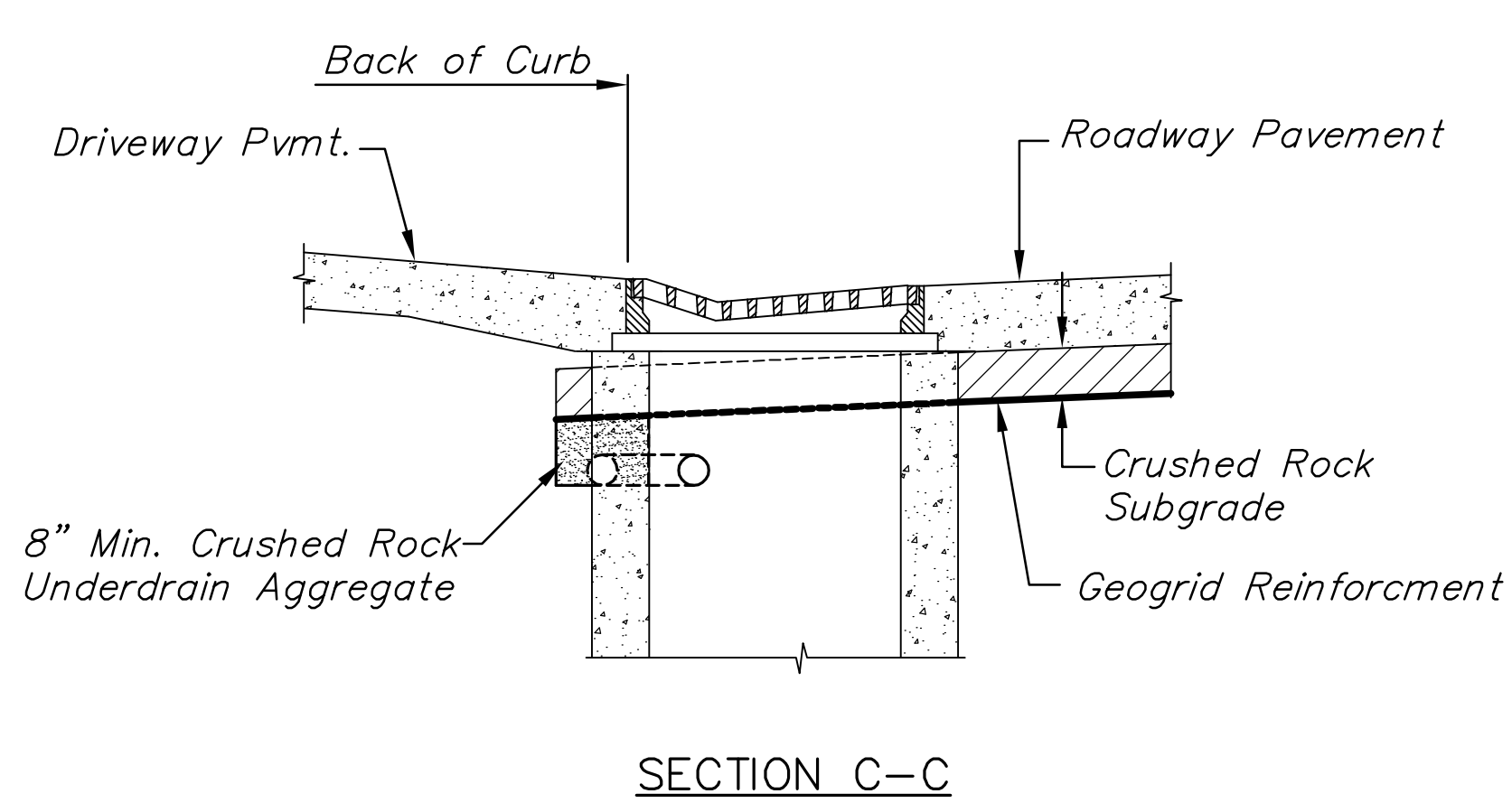
Refer to "Pipe Connection Detail" on Sheet No. 8 for connections to structures.

CRUSHED ROCK UNDERDRAIN AGGREGATE GRADATION REQUIREMENTS

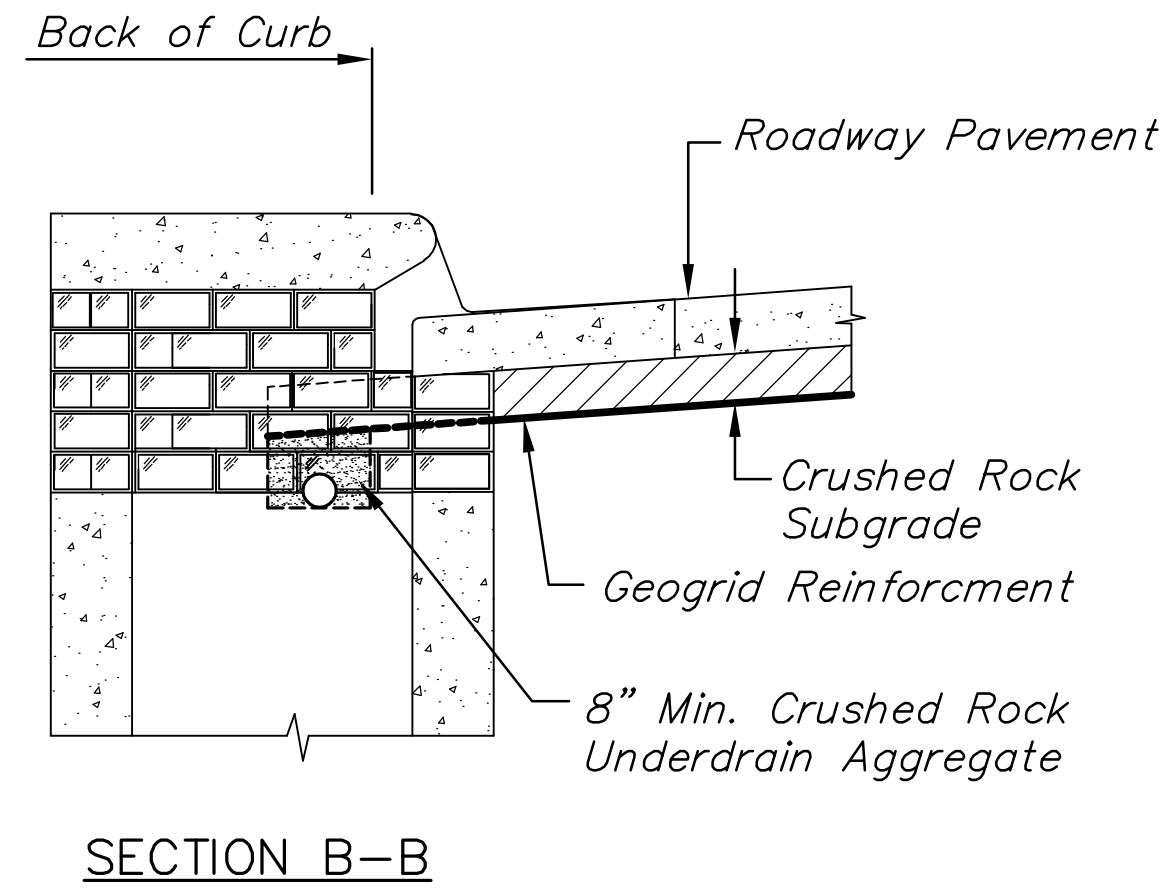
Percent of Aggregate Retained

1 1/2"	0
3/4"	15-60
# 4	40-80
#40	74-92
P-200	4-12

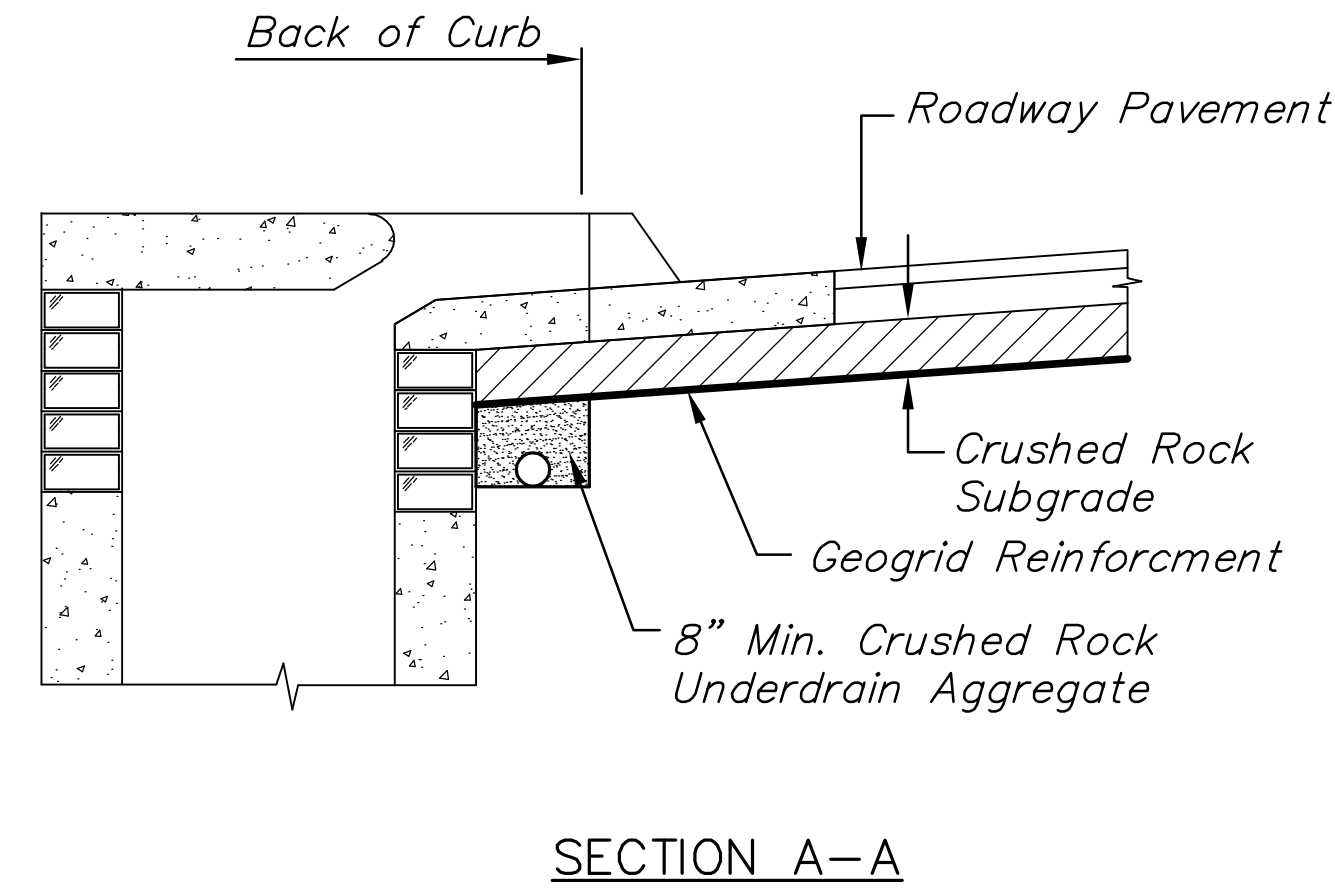
Rock quality shall be the same as specified for coarse aggregate for asphalt concrete mixes.



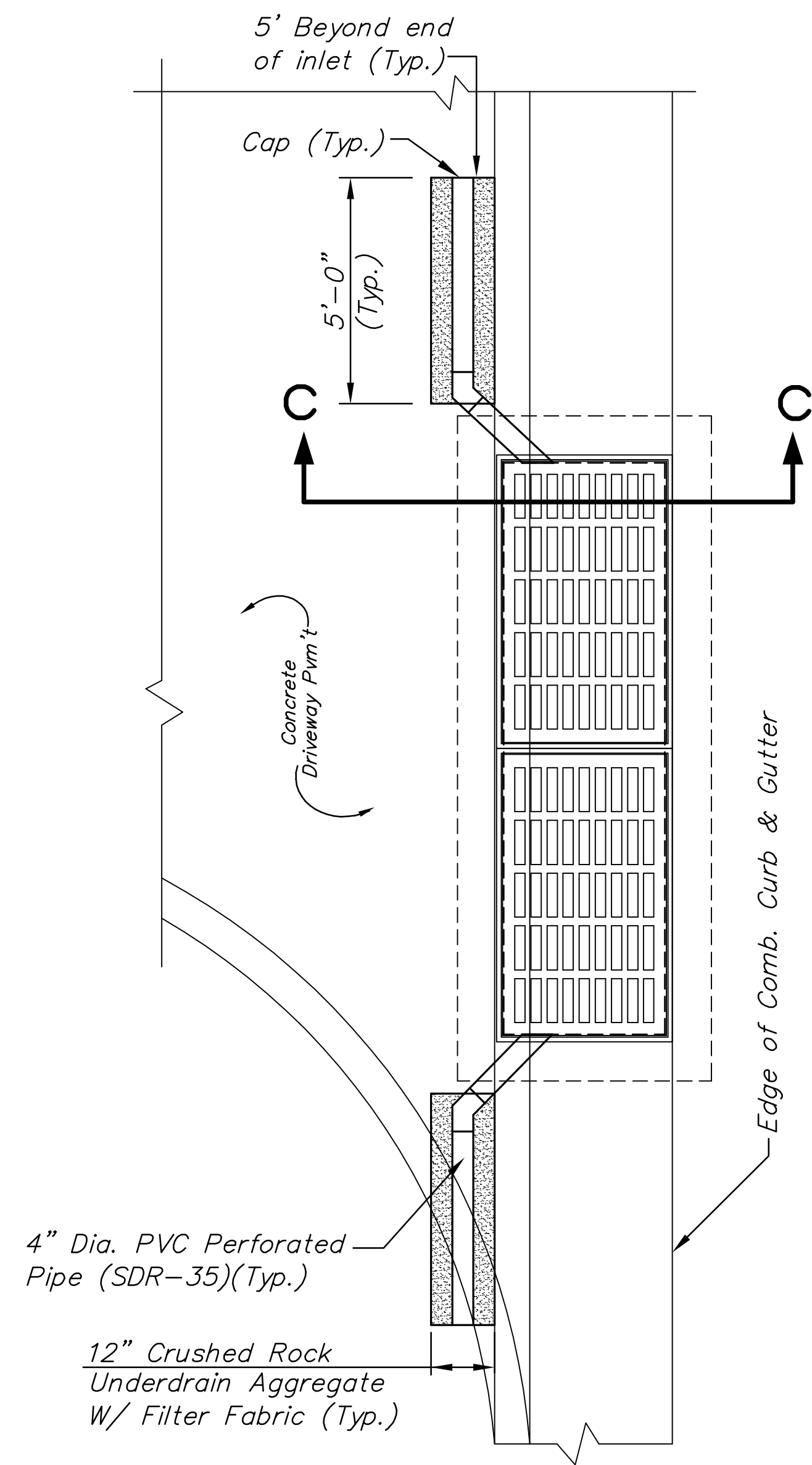
SECTION C-C



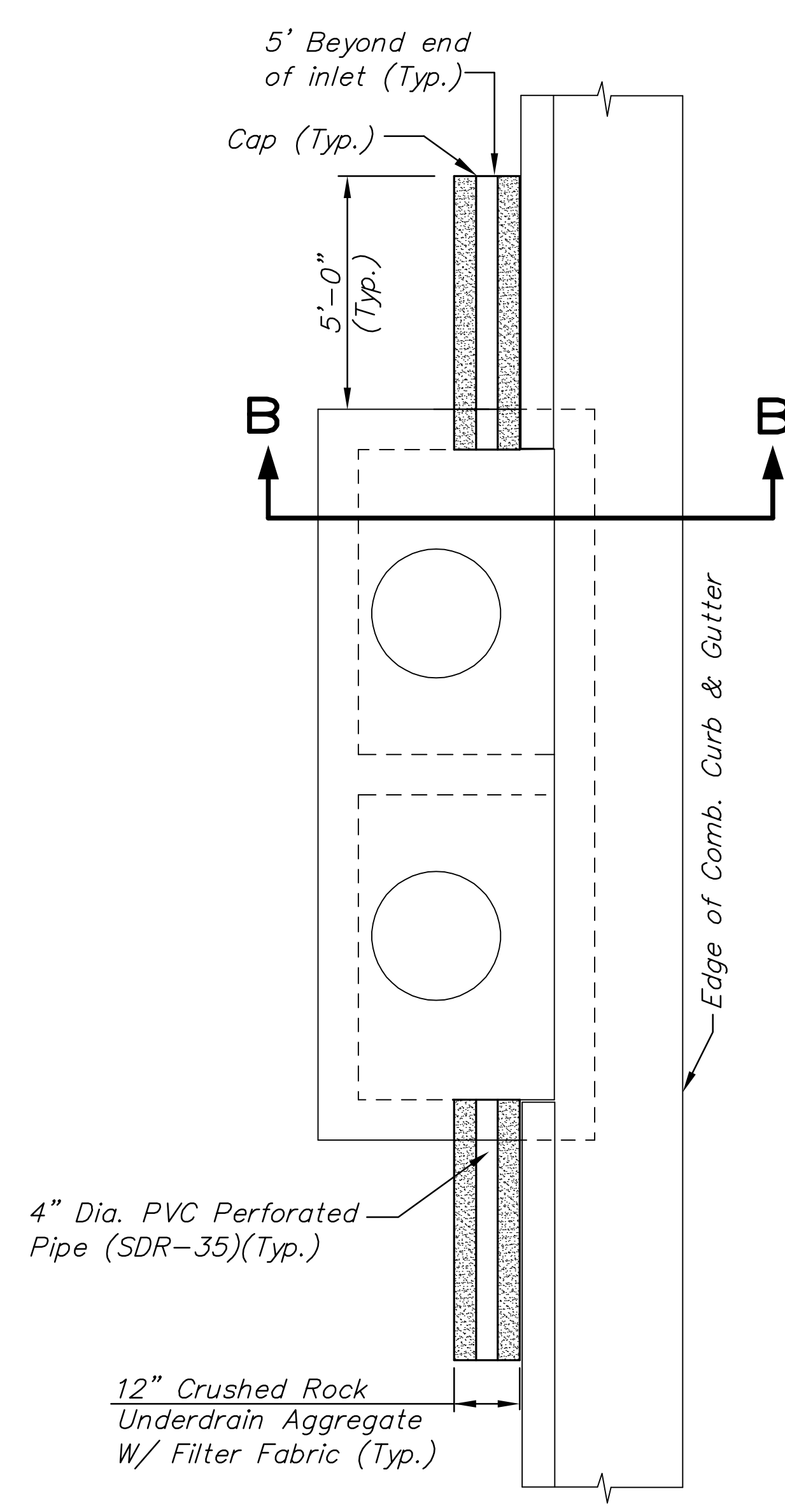
SECTION B-B



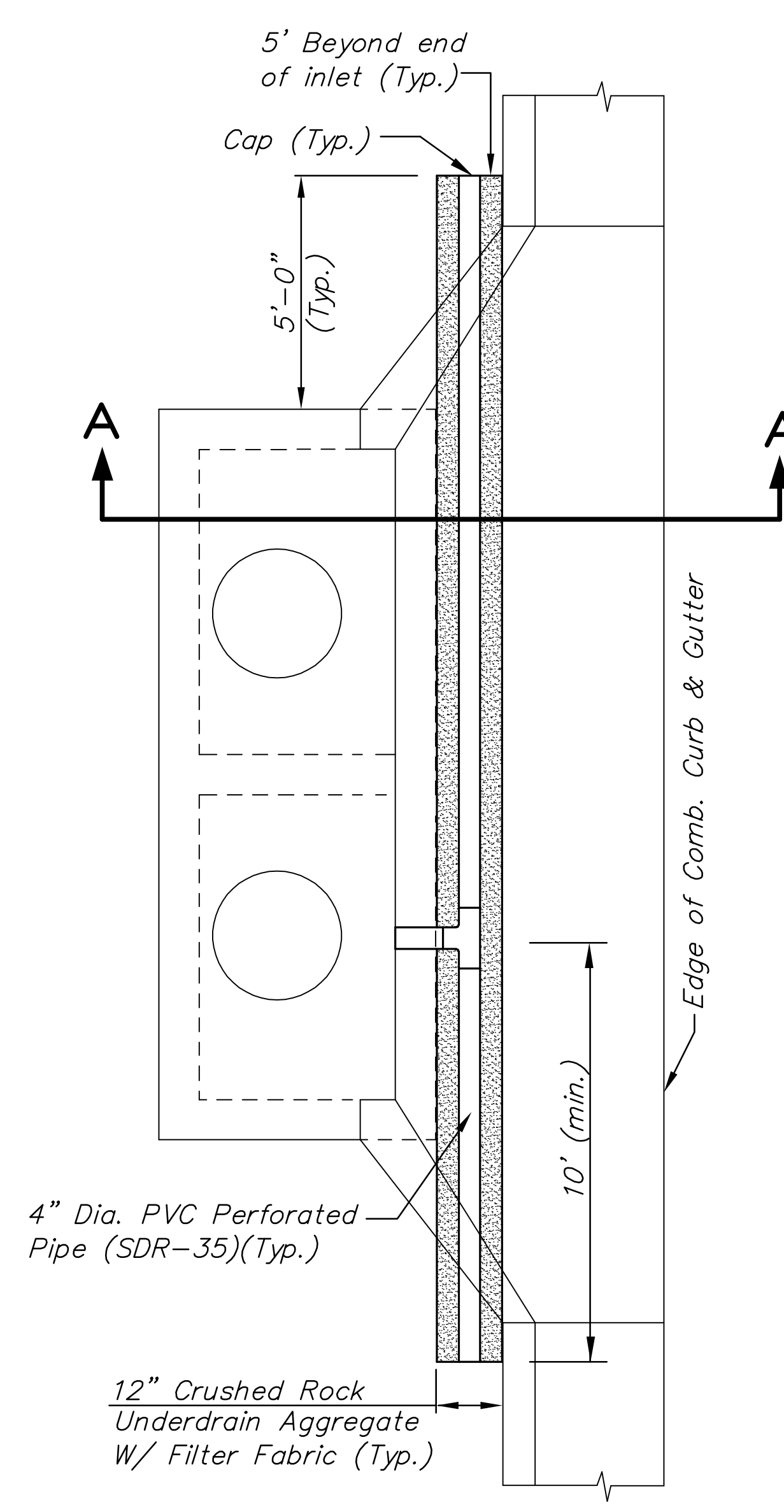
SECTION A-A



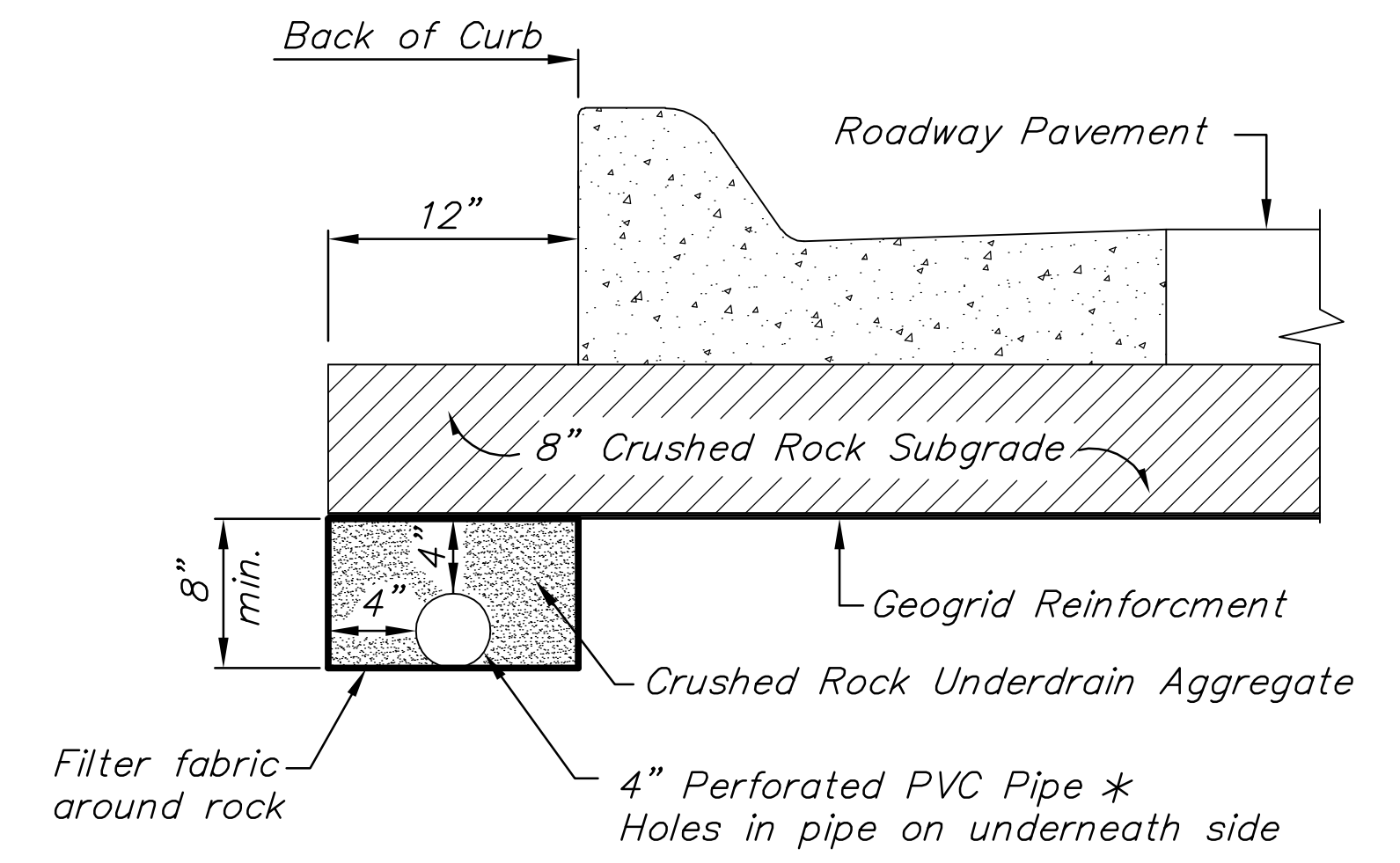
DRIVEWAY GRATE INLET
TYPE 2 INLET SIMILAR



TYPE 1 INLET



TYPE 1-A INLET



* Minimum 16 perforations per lineal feet @ 1/4" Dia. Perforations to be on bottom half of pipe.

PIPE DRAIN DETAIL

**MT VERNON STREET AND
DRAINAGE IMPROVEMENTS
FROM GREENWAY TO BROADWAY**

**PAVEMENT
UNDERDRAIN
DETAIL**
SHEET TITLE 472-84289
448-90385
468-84514
PROJECT NUMBER

DESIGN BY JRA
DRAWN BY JSB
CHECKED BY JRA

ISSUED May 27, 2008
REVISED

SHEET NO.
60 of 120