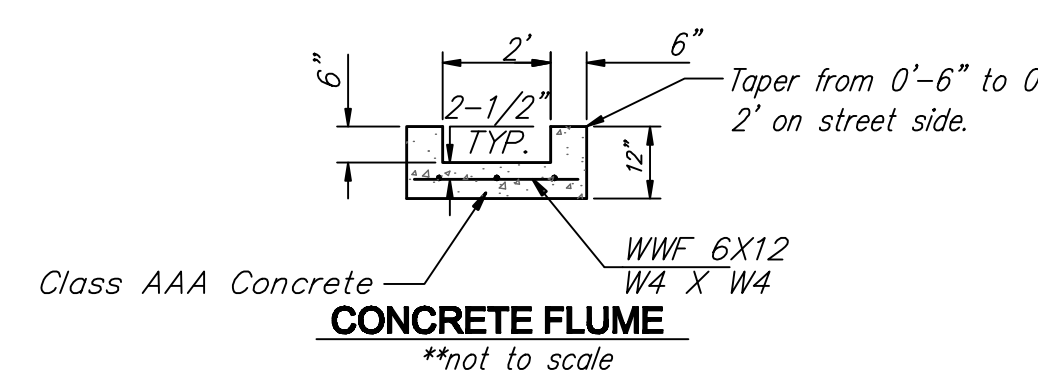


Subdivision Bench Marks				
No.	Street and Station	From CL	Description	Elevation
1	Goebel Circle, Sta. 3+72	17.0' Rt.	Top of South Curb adjacent to Fire Hydrant	



CONSTRUCT COMBINED ROLL TYPE CURB AND GUTTER (3 5/8") BOTH SIDES

STA 1+60 BEGIN TYPICAL SECTION TAPER CURB TO MATCH CONCRETE FLUME IN 2.0 LF

STA 1+60, 26' LT INSTALL R1-1, STOP SIGN

CONSTRUCT 28 LF CONCRETE FLUME (BOTH SIDES). SEE DETAIL THIS SHEET.

INSTALL 44.4 SQ. YARDS LIGHT STONE RIP-RAP

STA 1+31 INSTALL 2 - 24" RCP LENGTH = 60' (EACH) USFL (W) = 1386.05 DSFL (E) = 1385.88 REGRADE DITCH 20 LF EACH DIRECTION TO MATCH RCP AND PROPOSED FLUMES.

CONSTRUCT 5" A.C. TEMPORARY HOOKUP (5" REINFORCED CRUSHED ROCK BASE) AS INDICATED.

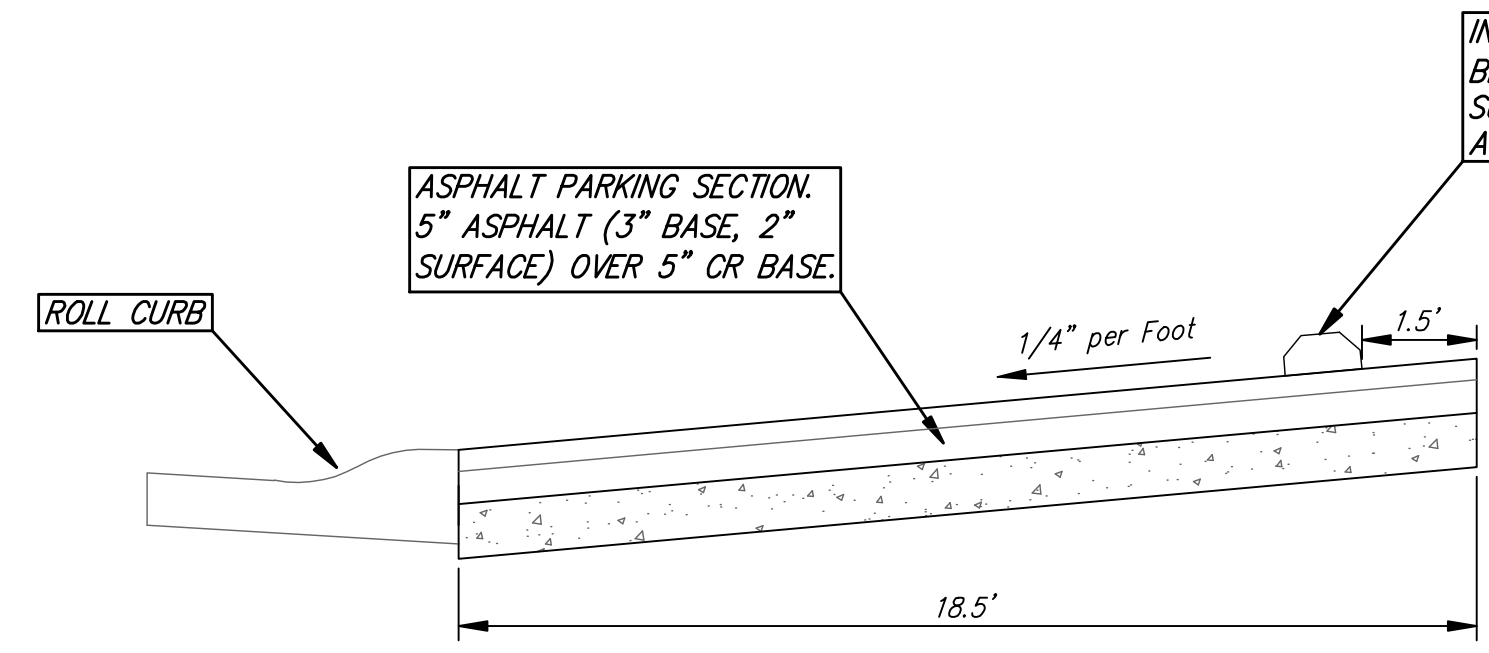
STA. 1+11.75 BEGIN CONSTRUCTION OF ASPHALT PAVEMENT. SAWCUT 59 LF OF EXISTING PAVEMENT TO NEAT LINE.

STA 2+51.5 TO STA 3+63.75 CONSTRUCT ASPHALT PARKING STALLS. SEE DETAIL THIS SHEET. MARK STALLS AS INDICATED. PAVEMENT MARKING COST SUBSIDIARY TO BID ITEM FOR ASPHALT PARKING

STA 1+60, 26' RT INSTALL SNS 'PAWNEE 9800 E' 'GOEBEL CIR'

STA 1+54.22 BEGIN CONCRETE GUTTER (BOTH SIDES)

INSTALL 66.7 SQ. YARDS LIGHT STONE RIP-RAP



**BRENTWOOD SOUTH 3rd ADDITION  
GOEBEL CIRCLE  
WICHITA, KANSAS**

**Ruggles & Bohm, P.A.**  
Engineering, Surveying, Land Planning

224 North Main  
Wichita, Kansas 67203  
www.rbg.com

(913) 264-8222  
(913) 264-8221 fax  
E-mail: info@rbg.com

DATE: Mar. 5, 2008  
BY: EUG  
CHECKED: EUG  
SCALE: 1" = 40'

PROJECT NUMBER: 472-84656  
DATE: May 13, 2008

4 of 18

