

GENERAL NOTES:

1. Contractor will be required to provide notice to utility companies a minimum of twenty-four (24) hours prior to any excavation, as follows:

Kansas One-Ccl 687-2470

The Contractor must notify the following in case of an emergency:

Cablevision 262-4270
 or 263-2061
 K.P.L. Gas Service Company 263-7511
 Kansas Gas & Electric Company 264-1141
 Arko Gas Company 942-8350
 or 263-8161
 Southwestern Bell Telephone Company 1-571-2611
 City of Wichita Water Department 268-4908
 City of Wichita Sewer Maintenance 268-4071

2. Underground utility service lines and overhead utility pole lines are to be adjusted as necessary by others prior to construction unless the plans specifically call for their adjustment by the Contractor or unless the plans specifically identify a utility to be adjusted by its owner during construction. Existing utilities and their location, as shown on the plans, represent the best information obtainable for design. The Contractor will be required to work around existing utilities within the right-of-way which do not conflict with proposed construction.

3. The Contractor shall be responsible for preserving property irons. The Contractor will be required to re-establish any property irons which are damaged or destroyed by his construction operations. Such irons shall be re-established by a licensed land surveyor in accordance with state laws.

4. All areas disturbed by construction operations shall be seeded with rye grass at a rate of 300 lbs/acre immediately following construction in that area. Ground shall be prepared per City of Wichita specifications prior to seeding.

5. The Contractor shall notify pipeline companies at least 24 hours in advance of any work being performed across and/or adjacent to pipelines.

6. Trees and shrubs in public right-of-way which are in direct conflict with proposed new construction shall be removed by the Contractor with the Engineer's approval. Trees and shrubs which are not in direct conflict with proposed new construction shall be saved and protected from damage.

7. The Contractor shall give all property owners and/or tenants of developed property abutting the construction of this project a minimum of ten (10) days advance notice prior to start of construction.

8. Rubble from the removal of miscellaneous structures and excess excavation which is to be wasted shall be disposed of on sites to be provided by the Contractor. These sites shall be approved by the engineer as to suitability, appearance and site location. Locations that, in the opinion of the Engineer, will leave an unsightly appearance will not be approved.

9. The Contractor shall be responsible for maintaining continuous flow of sewage through construction. Contractor's proposed method for maintaining sewage flow shall be approved by the Engineer. Cost of maintaining flow of sewage through construction will not be paid for directly and this cost shall be considered as SUBSIDIARY to the other pay items of work.

10. Prior to bid preparation, it will be the Contractor's responsibility to field check the project area to determine the extent of Site Clearing and Restoration to be performed.

11. Contractor shall not start work on the project until the project inspector is assigned to the project and is present on the site. Any work done without inspection will be required to be uncovered for inspection.

**SANITARY SEWER RELOCATION &
 STORM WATER SEWER IMPROVEMENTS**

TO SERVE

BG PRODUCTS

LOT 7, JACKSON-WALKER ADDITION

Private Project Number

705PPS(607861)

CITY OF WICHITA, KANSAS

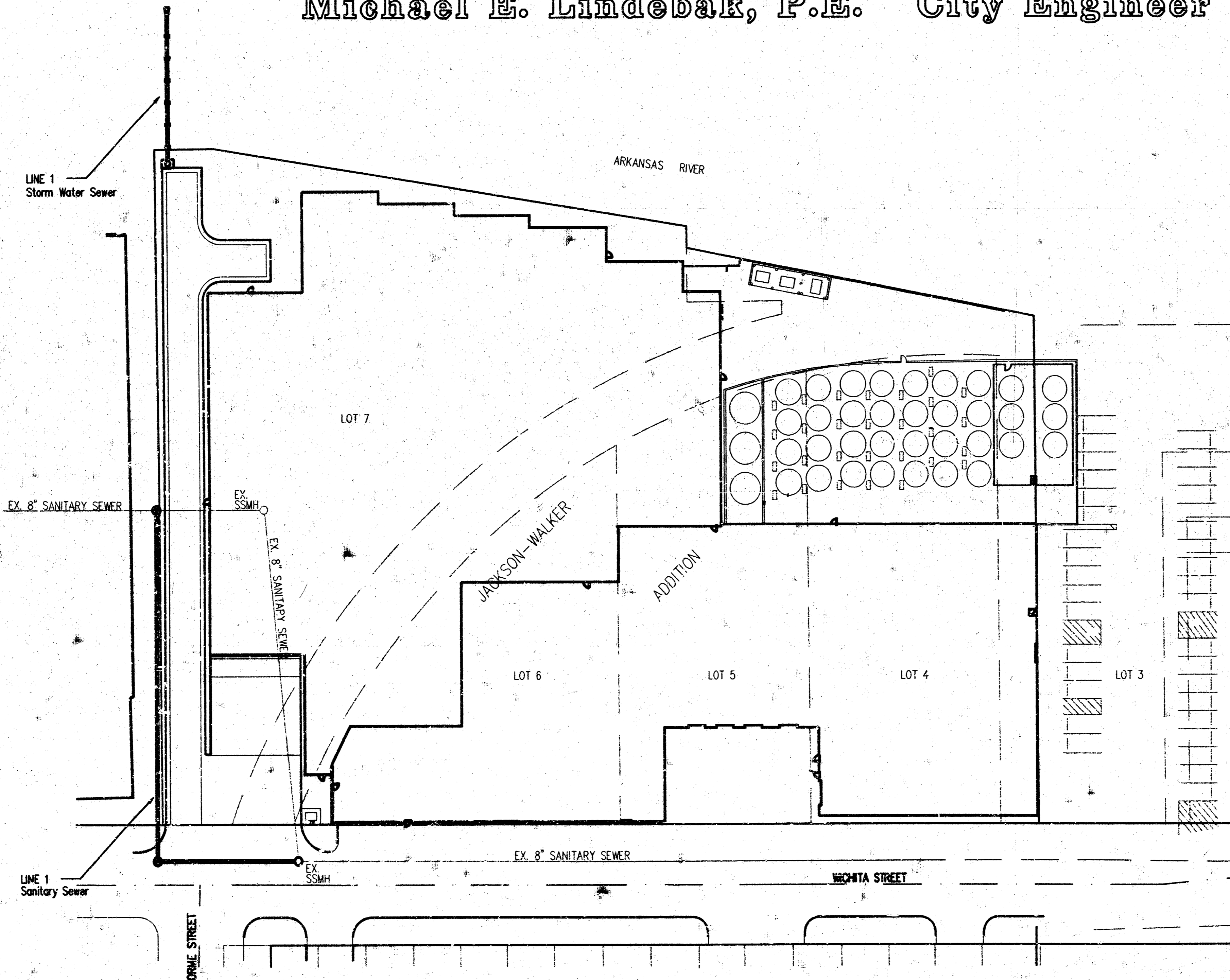
Michael E. Lindebak, P.E. City Engineer

BENCHMARK:

BM #1 Top of Iron in Thimble Located
 25' North of the North R/W
 Line of Orms Street.
 Elevation = 109.56 City Datum

INDEX:

- 1 Title Sheet
- 2 Line 1 Sanitary Sewer
- 3 Standard Manhole Detail
- 4 Line 1 Storm Water Sewer
- 5 Standard Inlet Detail
- 6 Copy of Jackson-Walker Addition Plat



**APPROVED AS NOTED
 BY CITY ENGINEER OF WICHITA**

Sanitary Sewers VRH 7/31/97
 Storm Sewers VRH 7/31/97

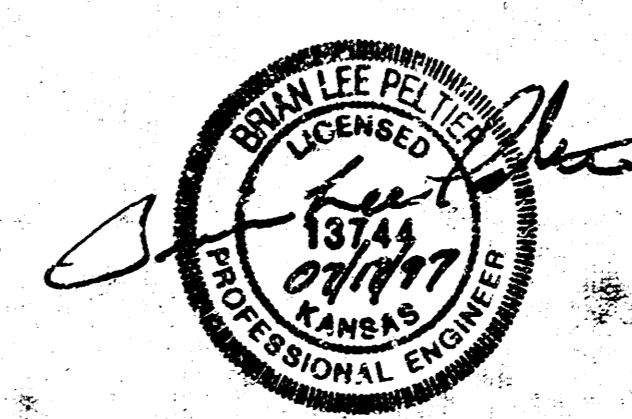
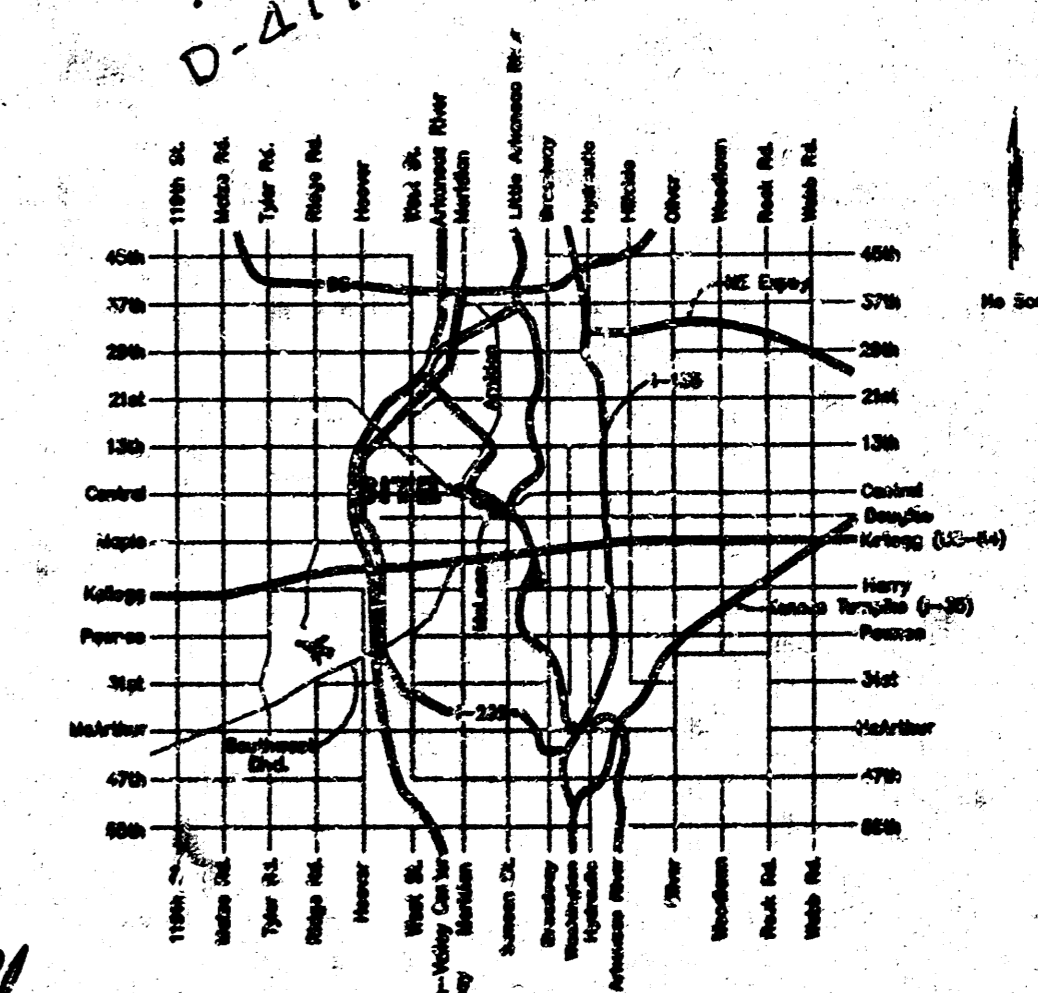
NOTE TO CONTRACTORS

Inspection and testing for this project is to be provided by a Licensed Consulting Engineering Firm under contract with the Owner/Developer. Said inspection to be in accordance with the City of Wichita standard construction engineering practices and certified by a Licensed Professional Engineer. No work shall be performed in dedicated easements or public right-of-way by the Contractor without such inspection nor shall any work be commenced without written authorization by the City Engineer. All Construction and Materials shall comply with the City of Wichita Specifications and Standards (on file and available in the City Engineer's Office).

S.S. Booked
 P-55
 12-23-98
 R.D.L.

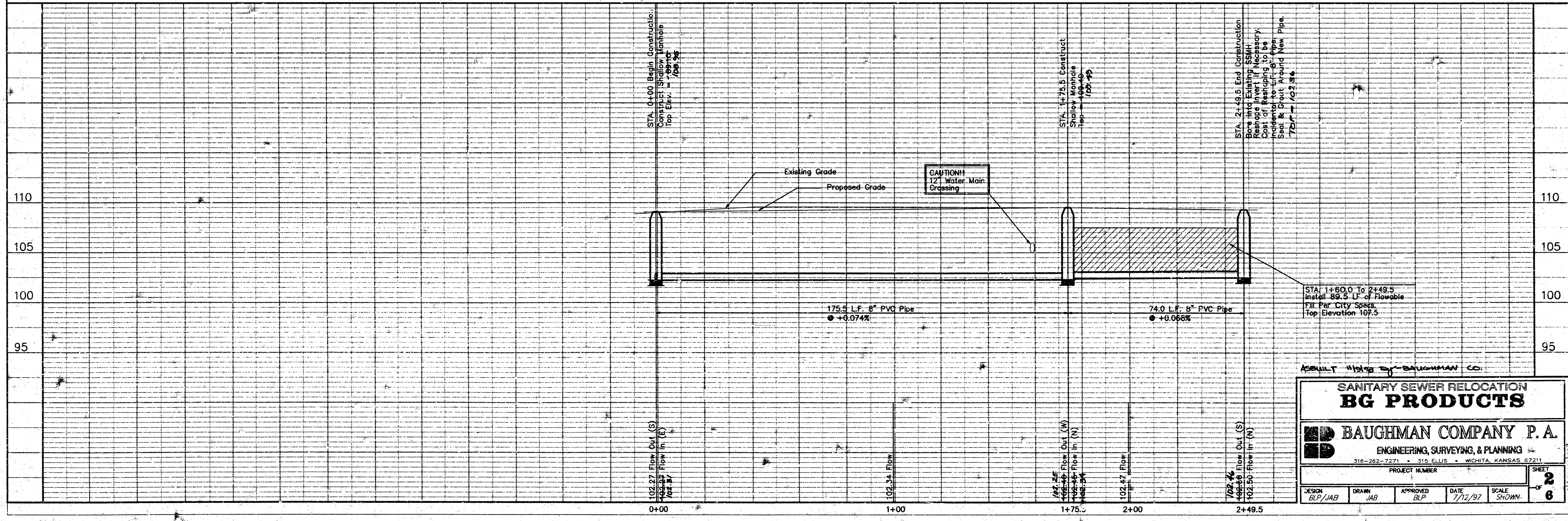
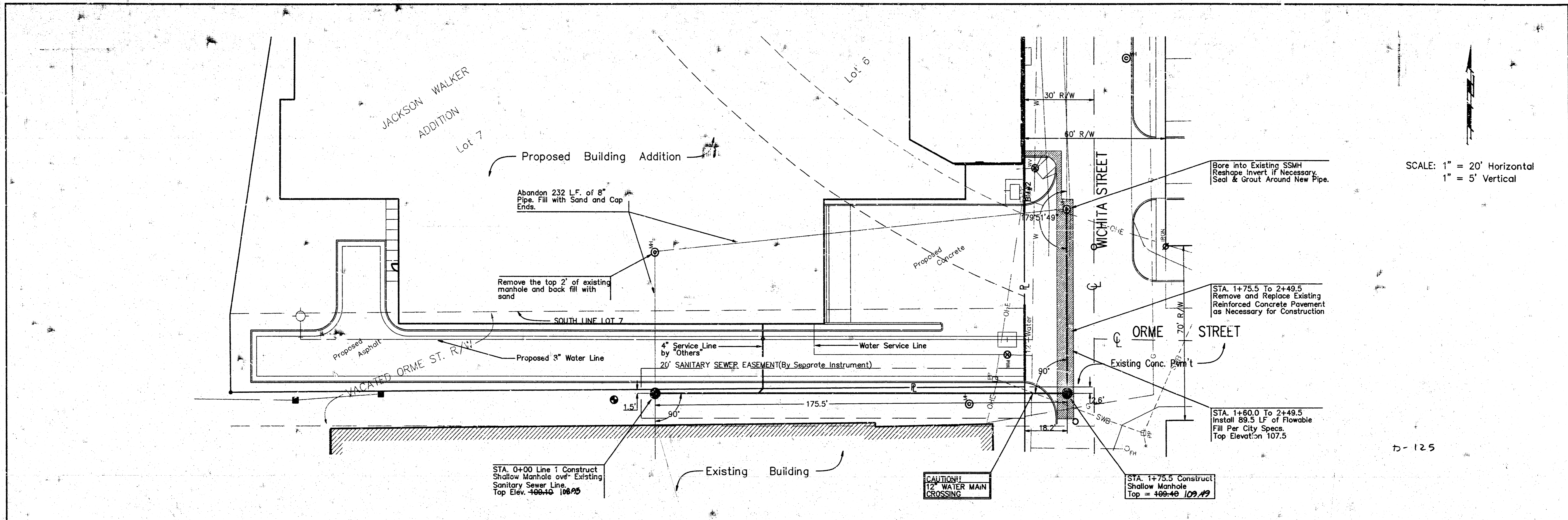
DRAINAGE
 BOOKED
 3-31-99
 MCB
 D-419

Dondlinger & Sons

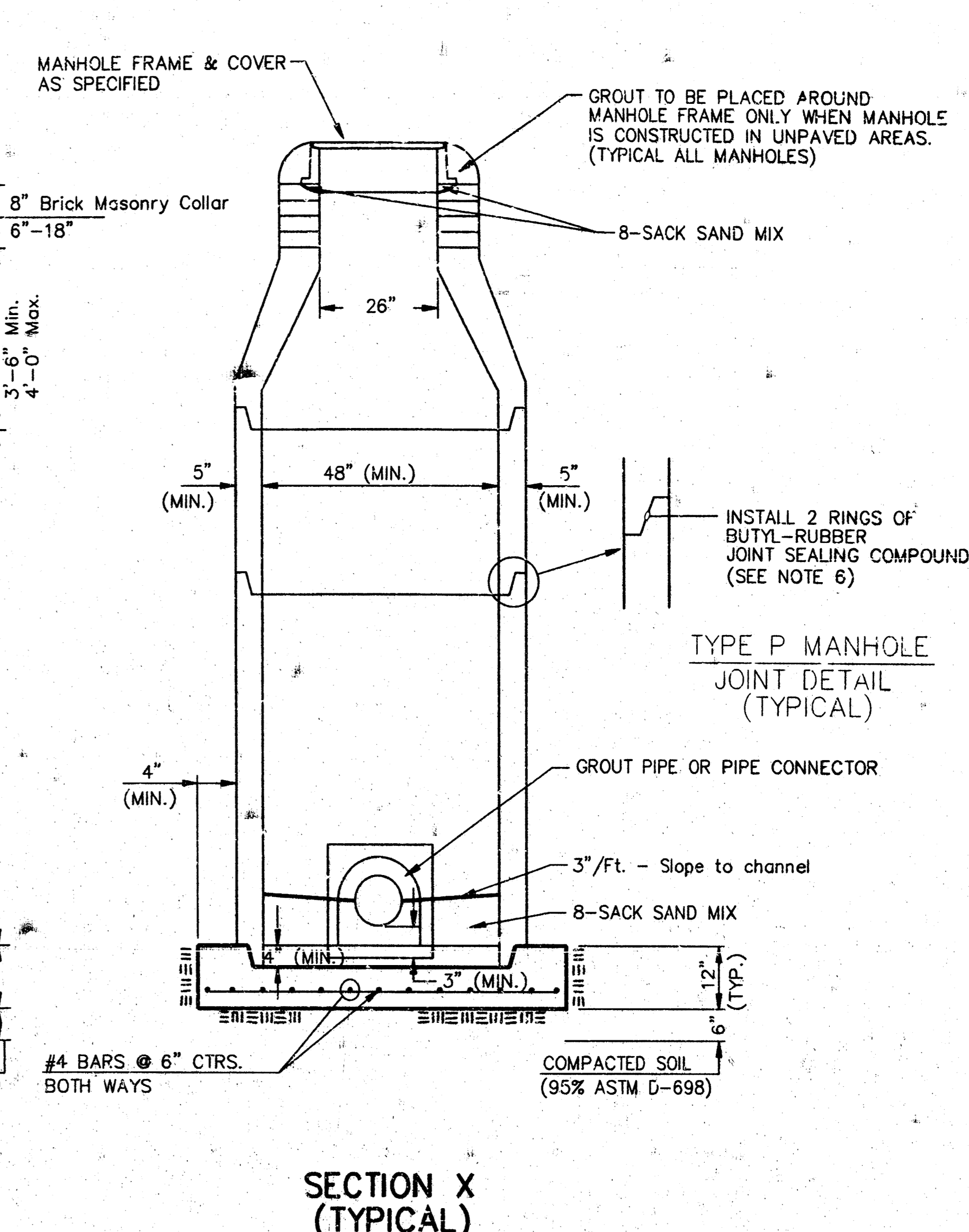
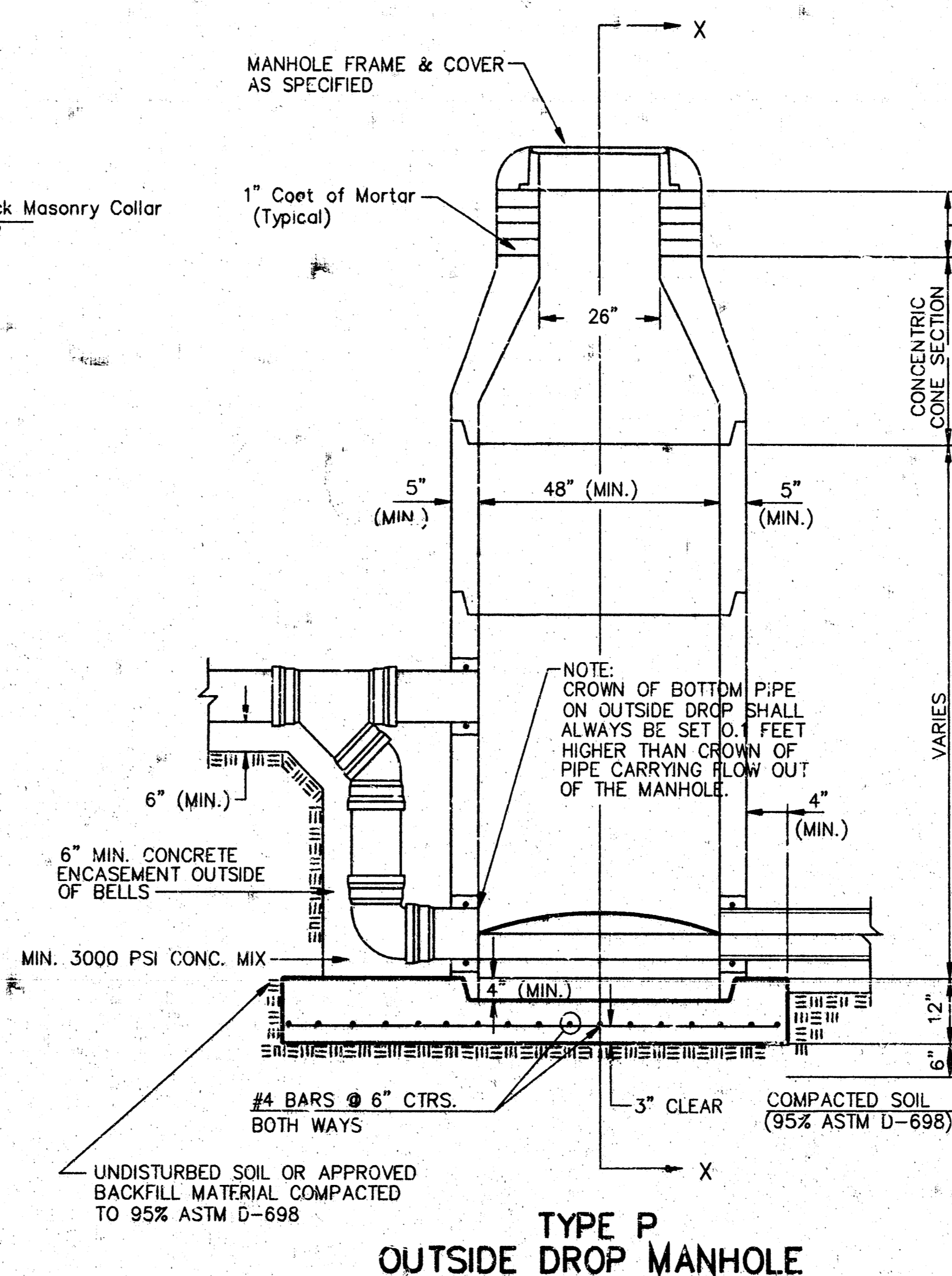
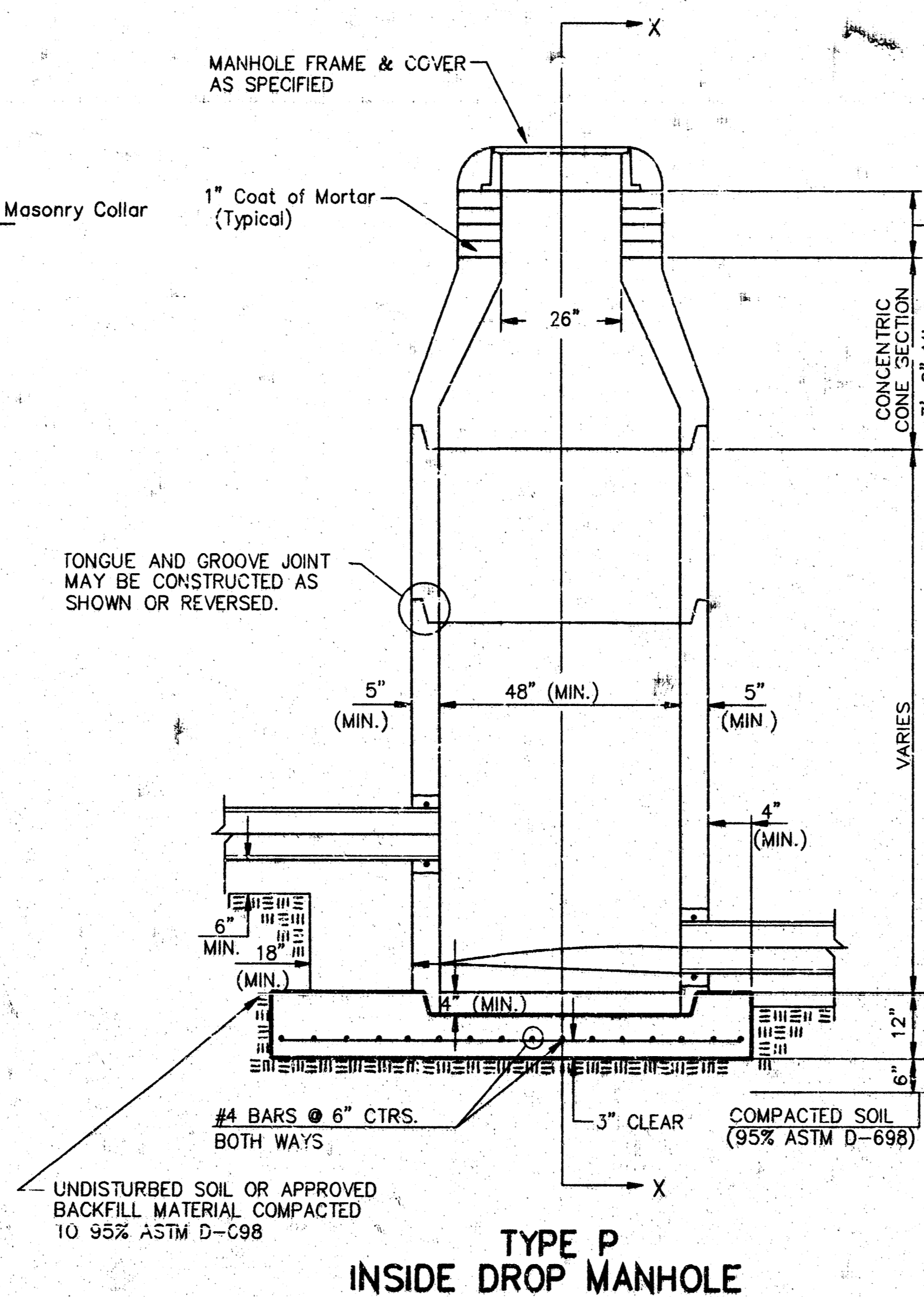
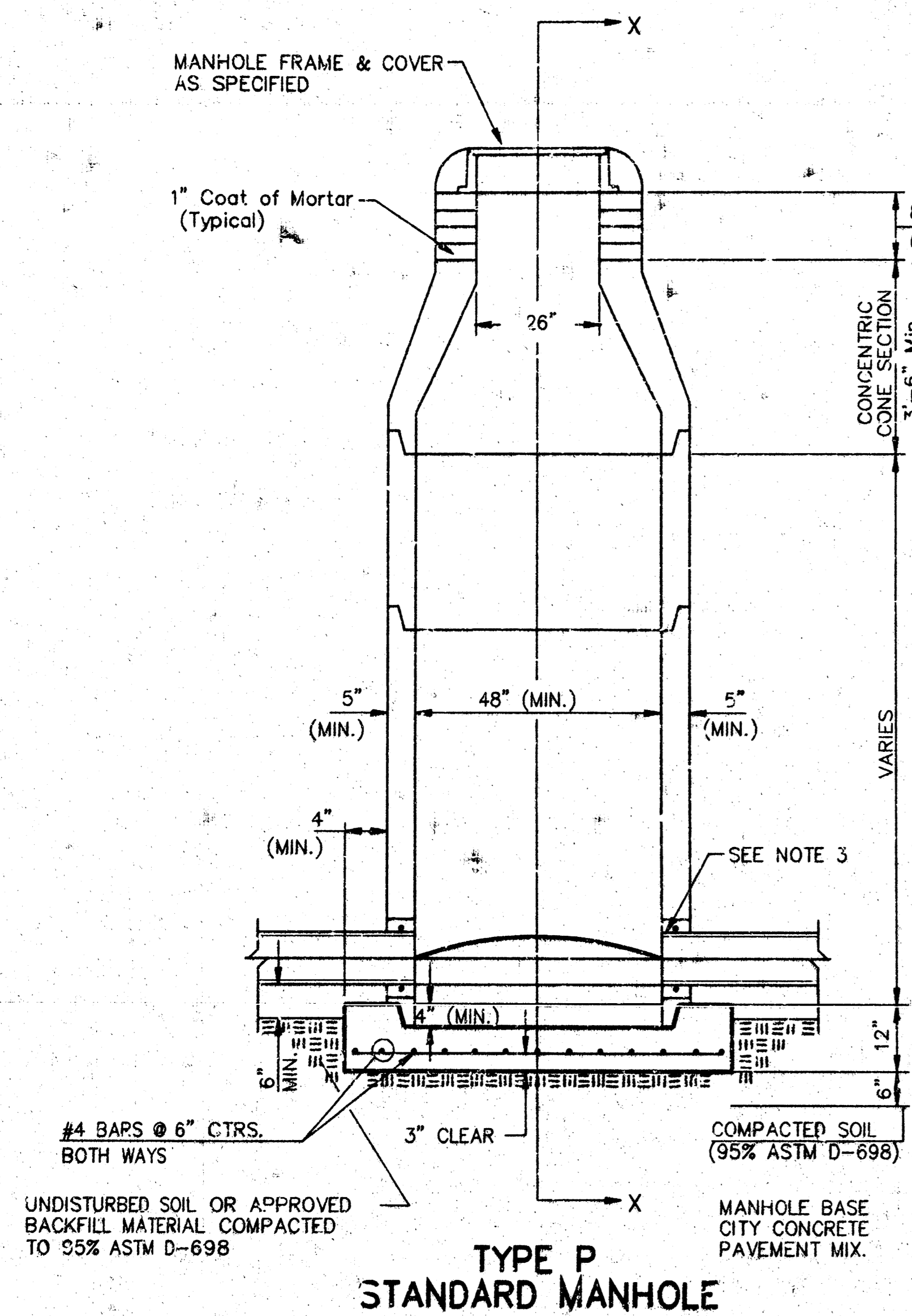


PROJECT INSPECTED BY BAUGHMAN CO., P.A.
 AS BUILT 11/2/98

BAUGHMAN COMPANY P. A.
 ENGINEERING, SURVEYING, & PLANNING
 316-262-7271 • 315 ELLIS • WICHITA, KANSAS 67211



SEWER APPURTENANCES DETAILS



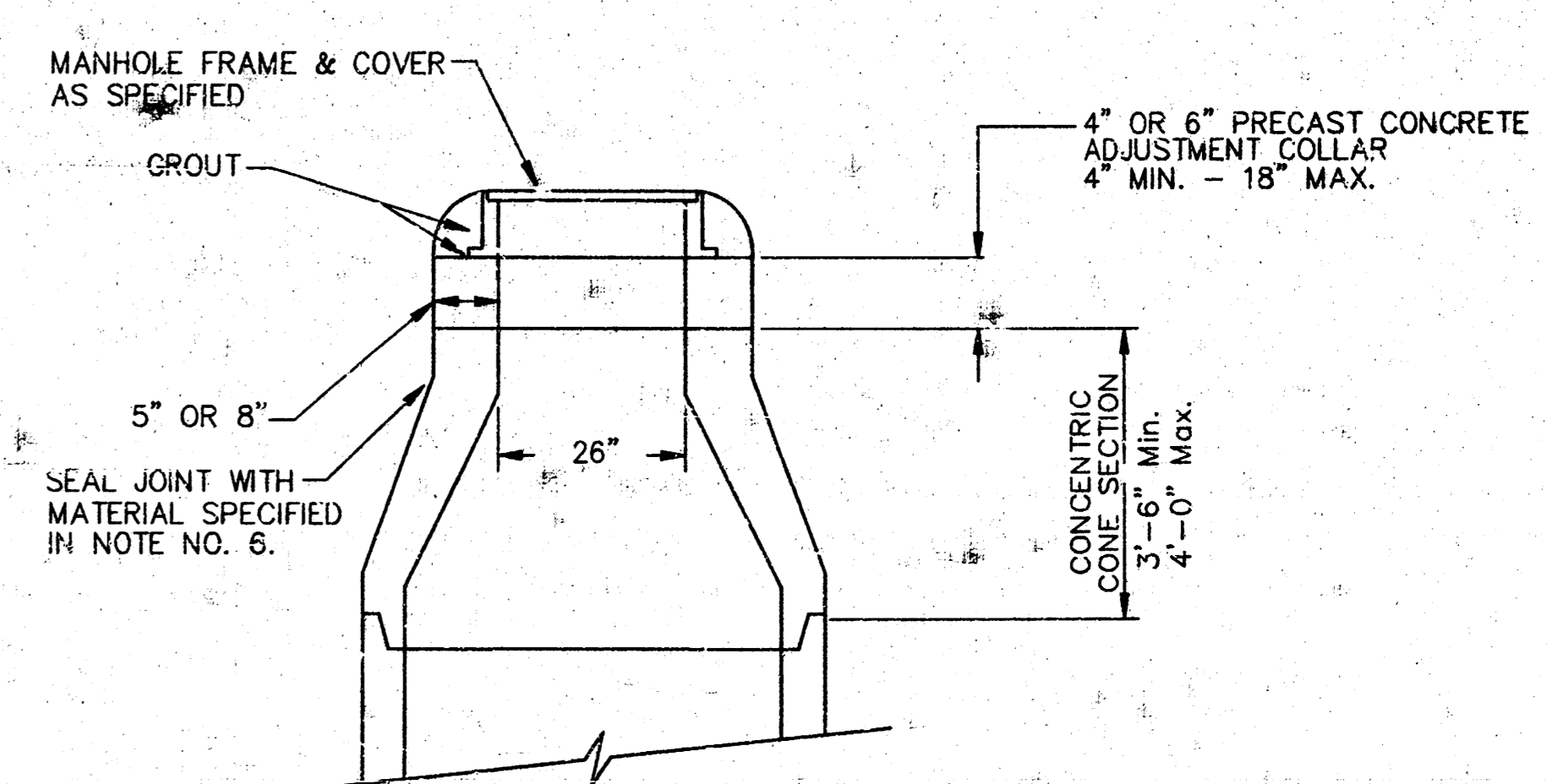
GENERAL NOTES

PRECAST MANHOLE NOTES

- ALL PRECAST CONCRETE MANHOLE SECTIONS SHALL CONFORM TO THE LATEST REVISIONS OF A.S.T.M. C478 AS MODIFIED BY THE SPECIFICATIONS.
- NON-SHRINK GROUT SHALL BE NON-METALLIC TYPE.
- APPROVED FLEXIBLE WATERSTOP GASKETS SHALL BE INSTALLED TO JOIN THE SEWER TO THE MANHOLE WALL WHEN A.B.S. COMPOSITE PIPE OR P.V.C. PIPE IS USED. FOR OTHER TYPES OF PIPE THE SEWER PIPE SHALL BE GROUDED IN PLACE WITH NON-SHRINK GROUT. THE SEWER PIPE SHALL BE SUPPORTED WITH CONCRETE ENCASEMENT A MINIMUM OF 3 FEET FROM THE MANHOLE WALL AND TO THE FIRST JOINT FOR V.C.P. SUCH THAT THE JOINT REMAINS FLEXIBLE.
- ALL INSIDE SURFACES OF THE CONCRETE MANHOLE WHICH WOULD BE EXPOSED TO SEWER GAS SHALL BE COATED WITH 2 COATS TNEMC SERIES 66 HI-BUILD EPOXYLINE, DRY THICKNESS OF 8 MILS (MIN.).
- EXTERIOR MANHOLE WALLS SHALL BE COATED WITH 1 COAT MOBILARMA 833 BITUMINOUS COATING.
- JOINT SEALING COMPOUND SHALL BE KENT SEAL NO. 2 OR APPROVED EQUAL.
- PRECAST MANHOLES SHALL BE SET AT LEAST 4 INCHES INTO THE MANHOLE BASE.
- TOP OF MANHOLE FLOOR SLAB SHALL BE AT LEAST 3 INCHES BELOW THE FLOW LINE OF THE OUTLET PIPE TO INSURE SUFFICIENT MINIMUM THICKNESS OF SHAPED INVERT.
- LIFTING HOLES SHALL BE FILLED WITH NON-SHRINK GROUT AND THE INTERIOR SURFACE COATED AS SPECIFIED.
- MORTAR USED IN MASONRY CONSTRUCTION SHALL CONTAIN 8 SACKS OF CEMENT PER CUBIC YARD. CONCRETE USED IN MANHOLE BASES SHALL CONFORM TO THE REQUIREMENTS OF CONCRETE FOR CONCRETE PAVEMENT CONSTRUCTION AS SPECIFIED IN THE CITY STANDARD PAVING SPECIFICATIONS USING CITY CONCRETE PAVEMENT MIX WITHOUT AIR ENTRAINING ADMIXTURE. MORTAR SHALL BE PLACED AROUND THE MANHOLE RING AS SHOWN ON THE DRAWINGS WHEN MANHOLES ARE CONSTRUCTED IN UNPAVED AREAS. MANHOLES CONSTRUCTED WHERE PIPE SIZES ARE SMALLER THAN 24" SHALL HAVE AN INSIDE DIAMETER OF 4". MANHOLES CONSTRUCTED WHERE PIPE SIZES ARE 24" OR LARGER SHALL HAVE AN INSIDE DIAMETER OF 5". COMPLETED MANHOLE SHALL BE WITHOUT LEAKS AND WATER TIGHT.

- REINFORCING STEEL SHALL BE INSTALLED IN THE MANHOLE BASES AND SHALL CONSIST OF NO. 4 BARS PLACED ON 6" CENTERS IN BOTH DIRECTIONS. THE MANHOLE BASE REINFORCEMENT SHALL BE PLACED AT LEAST 3" ABOVE THE BOTTOM OF THE MANHOLE BASE. ALL COSTS FOR FURNISHING AND INSTALLING REINFORCING STEEL SHALL BE INCLUDED IN THE UNIT PRICE BID FOR THE MANHOLE.
- OPENINGS SHALL BE CUT INTO THE MANHOLE WALL WHEN OUTSIDE DROPS ARE CONSTRUCTED ON EXISTING MANHOLES. SUCH OPENINGS CUT INTO EXISTING MANHOLES SHALL BE AS SMALL AS PRACTICAL TO FACILITATE INSTALLING AND GROUDED THE NEW PIPE IN PLACE. WATERSTOP GASKETS SHALL BE USED WITH P.V.C. AND A.B.S. COMPOSITE PIPE. THE NEW PIPE SHALL BE GROUDED INTO THE OPENING USING AN APPROVED NONSHRINK GROUT FOR THE FULL MANHOLE WALL THICKNESS. THE EXTERIOR OF THE COMPLETED CONNECTION SHALL BE SEALED WITH AN APPROVED BITUMINOUS COATING SUCH THAT THE CONNECTION WILL BE WATER TIGHT. FLOOR OF MANHOLE SHALL BE MODIFIED TO FORM NEW FLOW CHANNEL FOR THE NEW CONNECTION AS INDICATED BY THE DRAWING. THIS WORK, INCLUDING MODIFICATION OF MANHOLE FLOOR, SHALL BE PAID FOR AT THE UNIT PRICE BID FOR OUTSIDE DROP STACK CONSTRUCTED ON EXISTING MANHOLE.
- THE FLOORS OF ALL MANHOLES SHALL BE SHAPED WITH FLOW CHANNELS SUCH THAT THE MANHOLES WILL BE SELF CLEANING AND FREE OF AREAS WHERE SOLIDS COULD BE DEPOSITED AS SEWAGE FLOWS THROUGH THE MANHOLE FROM ALL INLET PIPES TO THE OUTLET PIPE. FLOW CHANNELS SHALL BE FORMED TO MATCH THE BOTTOM HALVES OF THE INFLOWING PIPES AND THE OUTFLOWING PIPE AS SHOWN BY THE DRAWINGS EXCEPT FOR INSIDE DROP MANHOLES. FLOW CHANNELS FOR INSIDE DROP MANHOLES SHALL BE CONSTRUCTED AS INDICATED BY THE DRAWING. MANHOLE FLOORS SHALL HAVE SLOPES OF 3 INCHES PER FOOT IN THE AREAS OUTSIDE OF THE FLOW CHANNELS SLOPED TOWARD THE FLOW CHANNELS. PIPES LAID THROUGH MANHOLES SHALL HAVE THE TOP HALF REMOVED TO NEAT LINES FOR THE FULL INSIDE DIAMETER OF THE MANHOLE. MANHOLE FLOORS SHALL THEN BE SHAPED AROUND THE BOTTOM HALF OF THE PIPE WHICH FORMS THE FLOW CHANNEL.
- PIPES INSTALLED WITHIN THE EXCAVATION MADE FOR THE MANHOLE SHALL BE CRADLED WITH CONCRETE TO THE LIMITS OF THE MANHOLE EXCAVATION. WHEN CLAY PIPE IS USED, THE CRADLE SHALL EXTEND TO THE FIRST JOINT OUTSIDE THE MANHOLE. THE CRADLE SHALL BE TERMINATED AT THE CLAY PIPE JOINT IN A MANNER WHICH WILL MAINTAIN THE FLEXIBILITY OF THE JOINT. COST OF CRADLE WITHIN MANHOLE EXCAVATION OR TO CLAY PIPE JOINTS ADJACENT TO MANHOLE SHALL BE INCLUDED IN THE UNIT PRICE BID FOR THE MANHOLE.

- MANHOLE COVER CASTINGS AND MANHOLE FRAME CASTINGS SHALL CONFORM TO THE REQUIREMENTS AS INDICATED IN THE STANDARD SPECIFICATIONS AND AS SHOWN IN THE STANDARD DETAIL DRAWING.
- THE VERTICAL DROP IN INSIDE DROP MANHOLES SHALL NOT EXCEED 2' FOR INFLOWING PIPES SIZED 12" OR SMALLER AND 2' FOR INFLOWING PIPES LARGER THAN 12". THE CROWNS OF INFLOWING PIPES SHALL NEVER BE SET LOWER THAN THE CROWN OF THE OUTFLOWING PIPE.
- STANDARD MANHOLES AND STANDARD INSIDE DROP MANHOLES SHALL BE BID AS STANDARD MANHOLES FOR THE TYPE AND DIAMETER INDICATED. OUTSIDE DROP MANHOLES SHALL BE BID AS STANDARD OUTSIDE DROP MANHOLES FOR THE TYPE AND DIAMETER INDICATED. ALL MANHOLE DIAMETERS WILL BE 4' UNLESS INDICATED OTHERWISE.
- A BRICK MASONRY COLLAR SHALL BE INSTALLED BETWEEN THE CAST IRON FRAME AND THE CONCENTRIC CONE. THE COLLAR WILL HAVE 6" WALLS AND A VERTICAL HEIGHT OF 6" MINIMUM AND 18" MAXIMUM. A 1" COAT OF MORTAR WILL BE PLASTERED ON THE OUTSIDE OF THE COLLAR. THE USE OF PRE-CAST CONCRETE SPACERS FOR MANHOLE TOP ADJUSTMENT IS ALSO ALLOWED.



CITY OF WICHITA

STD. MANHOLE DETAILS

& SEWER APPURTENANCES DETAILS

BAUGHMAN COMPANY P.A.

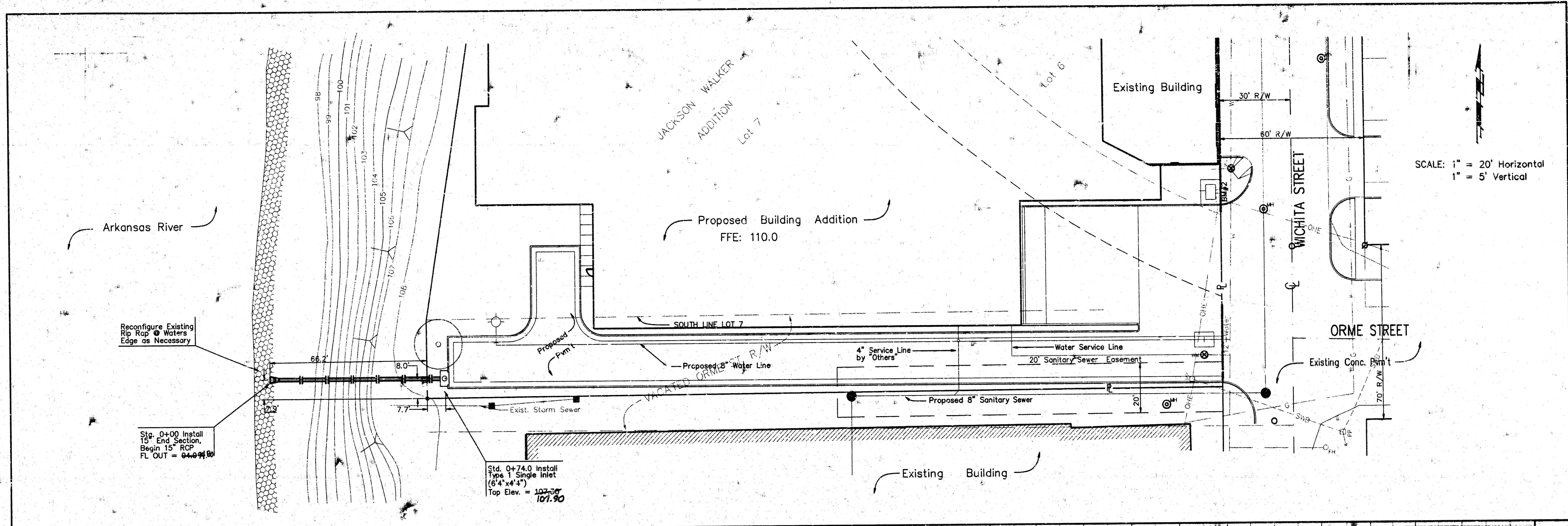
ENGINEERING, SURVEYING, & PLANNING

316-262-7271 • 315 ELLIS • WICHITA, KANSAS 67211

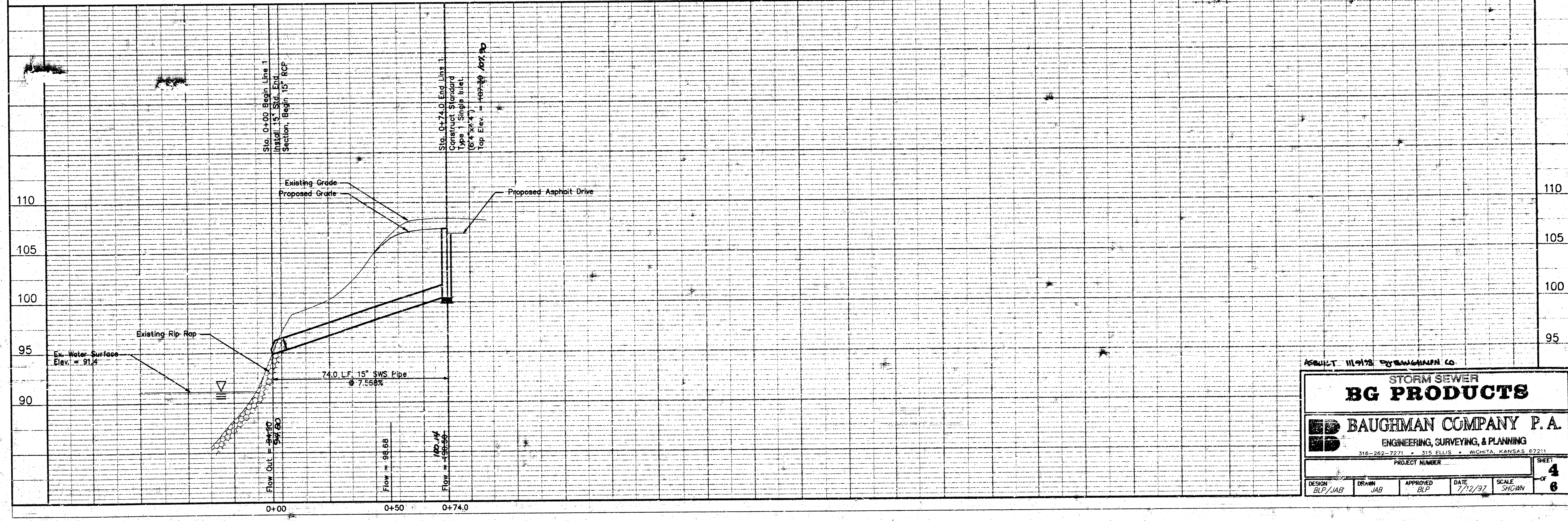
PROJECT NUMBER

705 PPS (607881)

DESIGN DRAWN NOV 93 APPROVED DATE SCALE SHEET 3 OF 6



SCALE: 1" = 20' Horizontal
1" = 5' Vertical



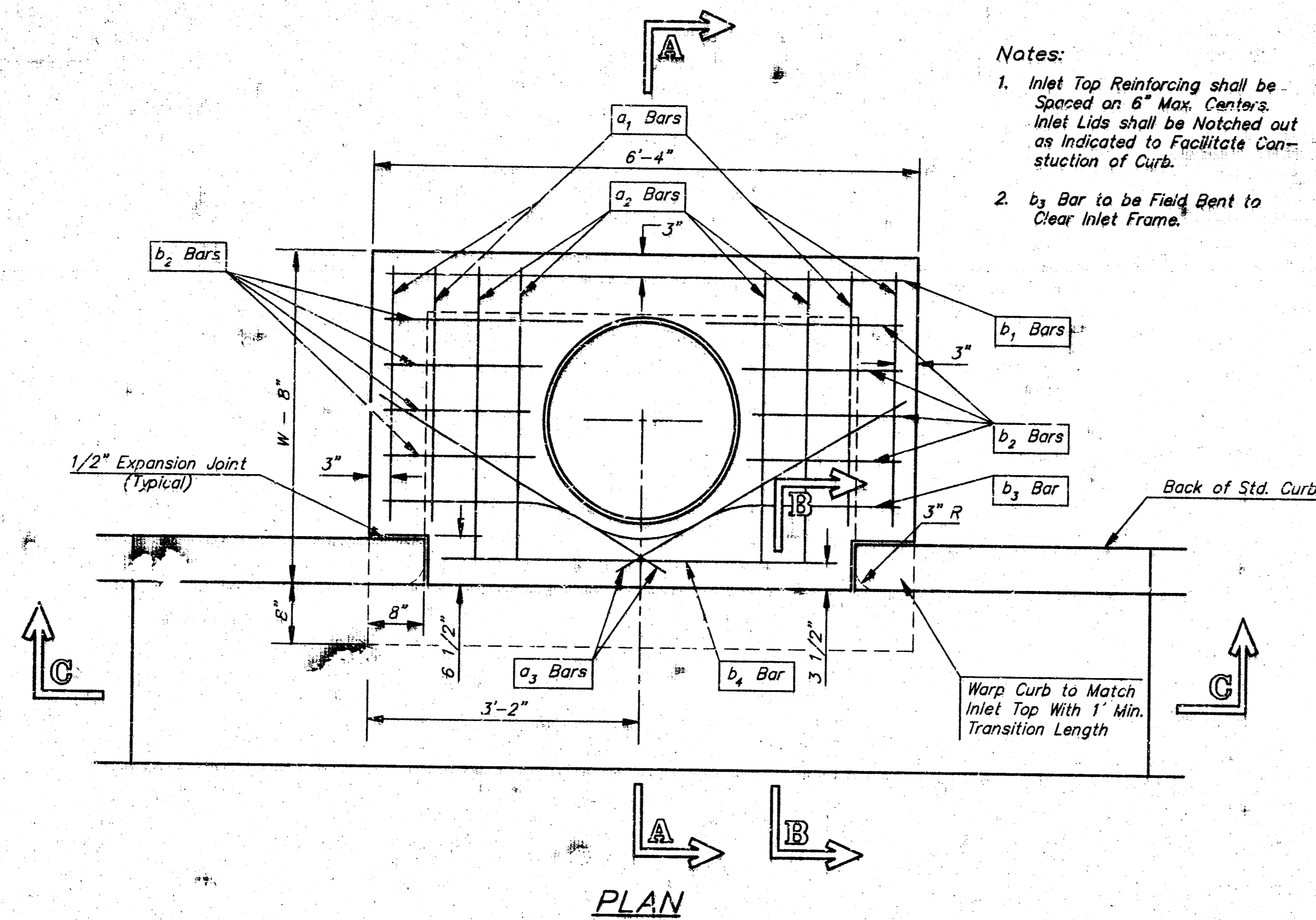
ASBUILT 11/9/98 BY BAUGHMAN CO.

STORM SEWER
BG PRODUCTS

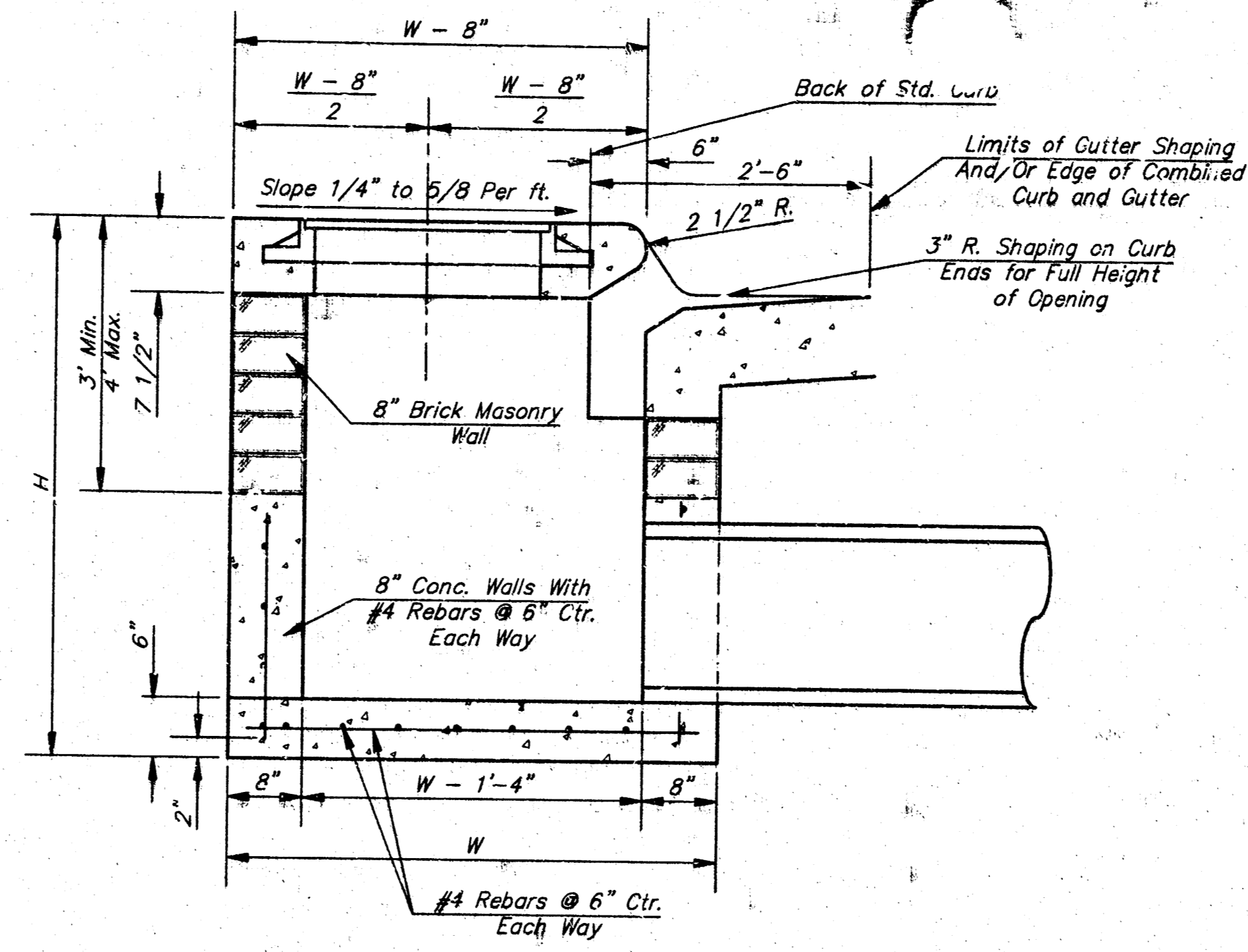
BAUGHMAN COMPANY P.A.
ENGINEERING, SURVEYING, & PLANNING
316-262-7271 • 315 ELLIS • WICHITA, KANSAS 67211

DESIGN BLP/JAB	DRAWN JAB	APPROVED BLP	DATE 7/12/97	SCALE SHOWN
-------------------	--------------	-----------------	-----------------	----------------

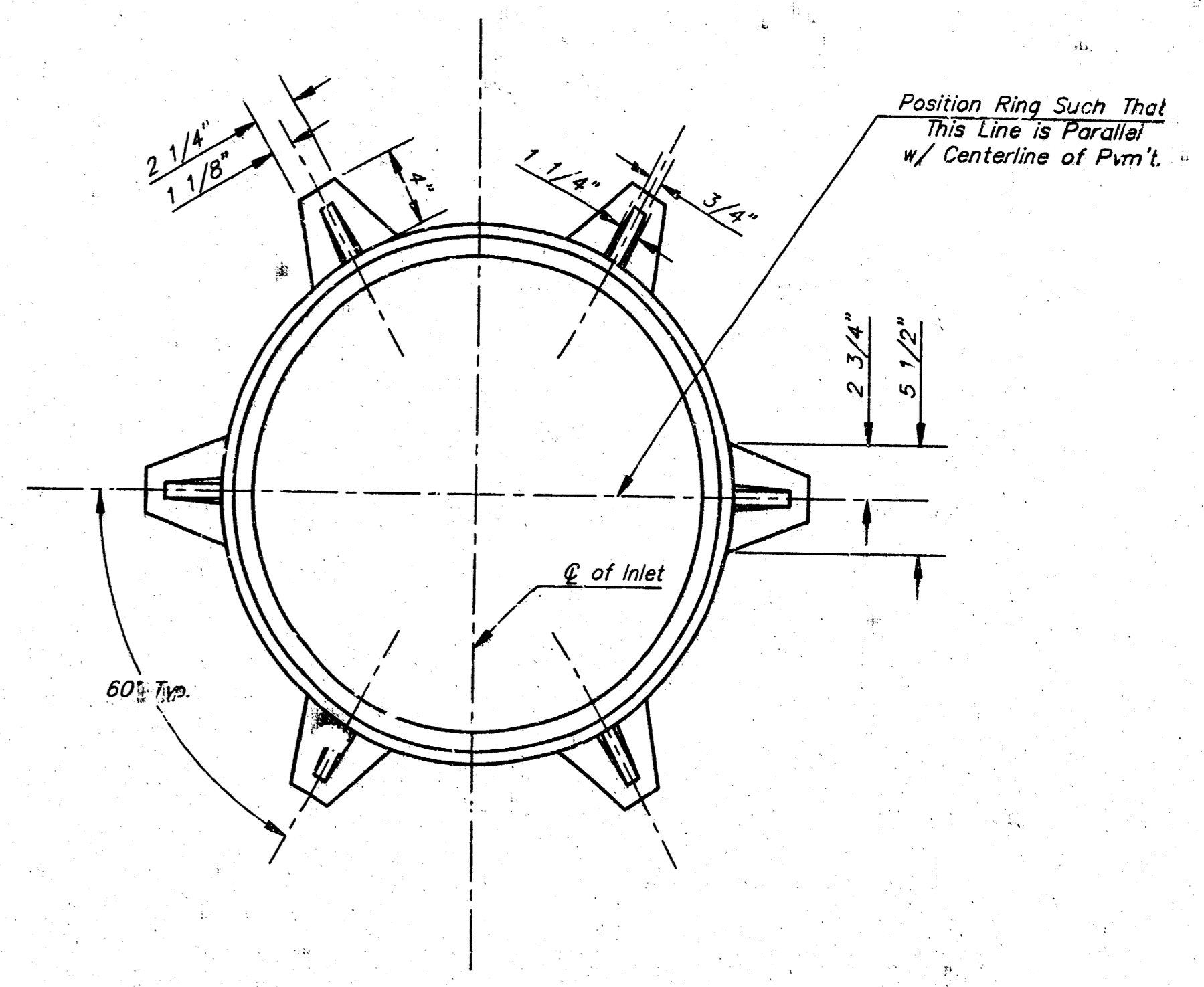
PROJECT NUMBER: _____ SHEET: **4** OF **6**



Notes:
 1. Inlet Top Reinforcing shall be Spaced on 6" Max. Centers. Inlet Lids shall be Notched out as Indicated to Facilitate Construction of Curb.
 2. b₃ Bar to be Field Bent to Clear Inlet Frame.

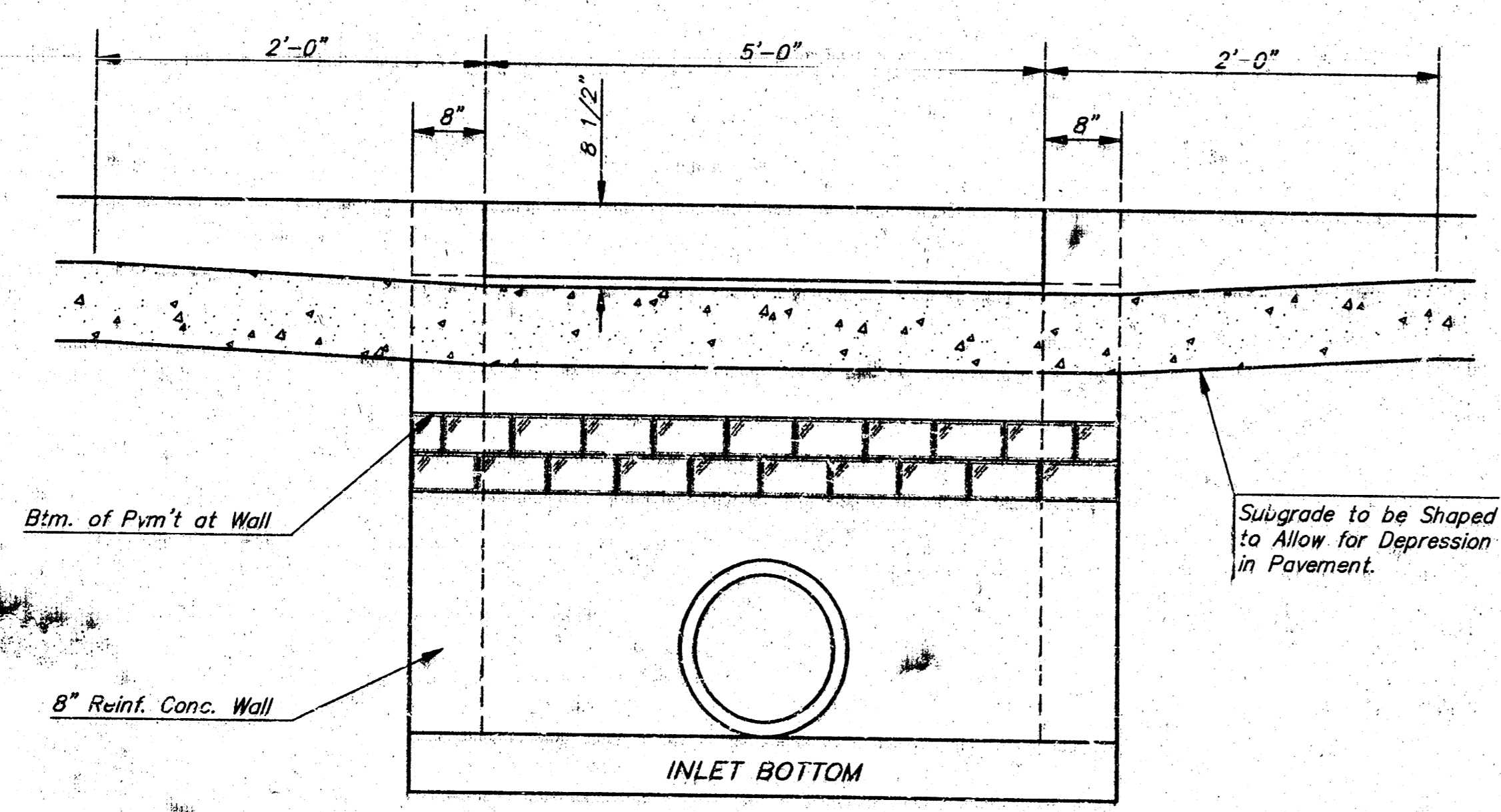


SECTION A-A

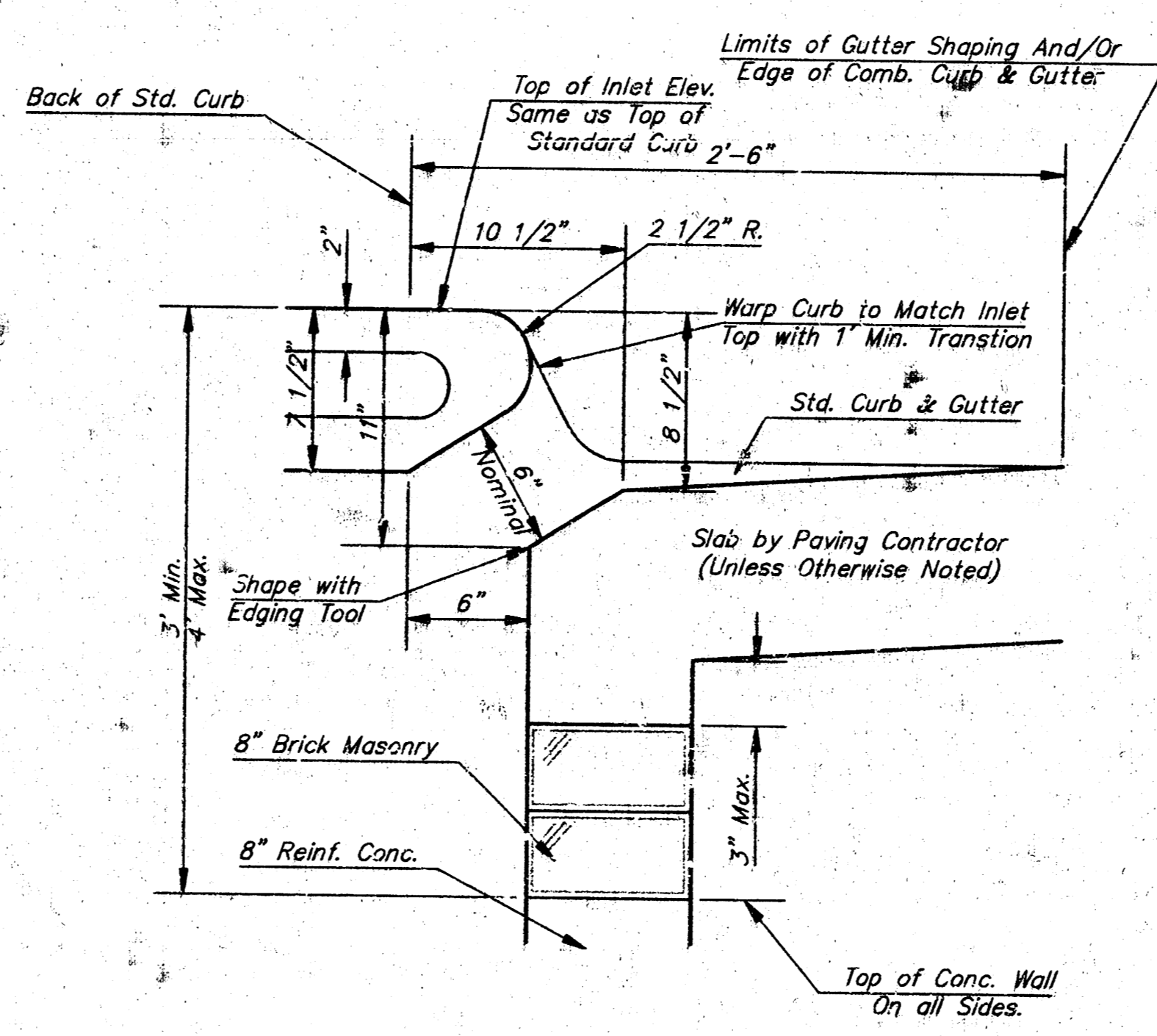


MANHOLE RING AND COVER

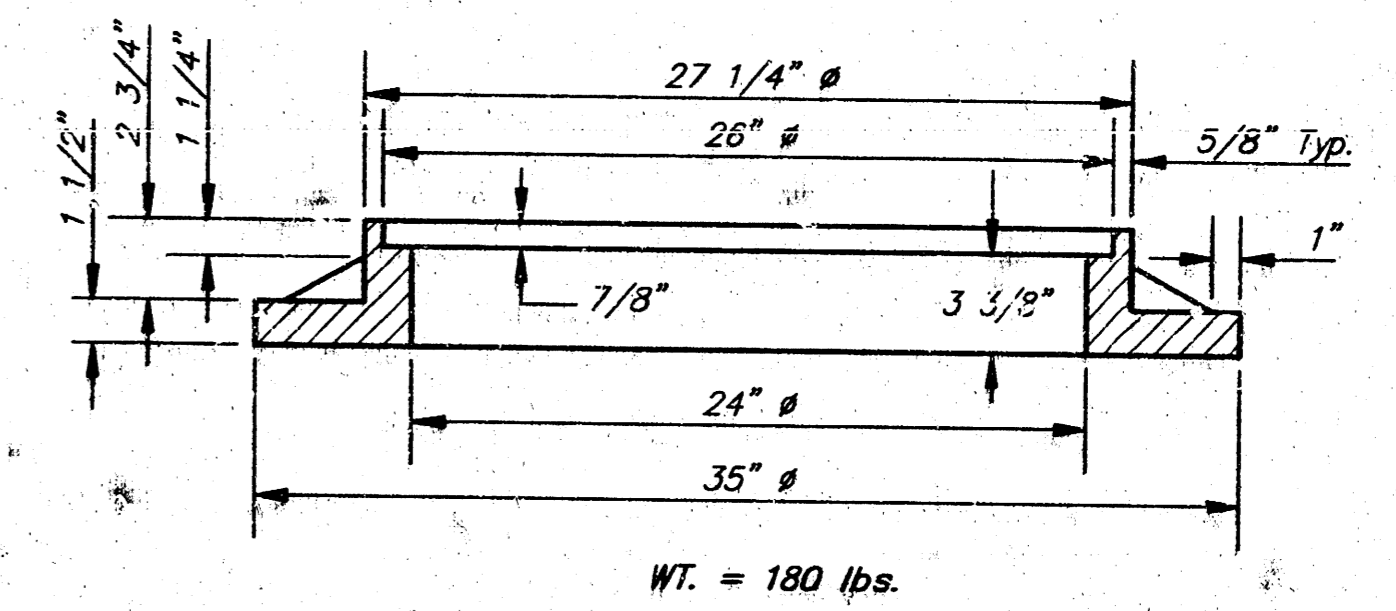
WT. = 180 lbs.
 *See City of Wichita Standard Manhole Ring and Cover Detail Sheet for Cover Details to Be Used With Inlet Frame.



SECTION C-C



SECTION B-B



BENDING DIAGRAM

STEEL SCHEDULE

BAR NUMBER	a ₁	a ₂	a ₃	b ₁	b ₂	b ₃	b ₄	b ₅	b ₆	WT. LBS.		
SIZE	#4	#4	#4	#4	#4	#4	#4	#4	#6			
LENGTH	W=4'-4"	5'-7"	6'-7"	4'-0"	6'-1"	-	-	-	1'-9"	6'-2"	4'-8"	60±
	W=5'-4"	7'-7"	8'-7"	5'-0"	6'-1"	-	-	-	1'-9"	6'-2"	4'-8"	81±
	W=6'-4"	9'-7"	10'-7"	6'-0"	6'-1"	-	-	-	1'-9"	6'-2"	4'-8"	101±
	W=7'-4"	11'-7"	12'-7"	7'-0"	6'-1"	-	-	-	1'-9"	6'-2"	4'-8"	121±
	W=8'-4"	13'-7"	14'-7"	8'-0"	6'-1"	1'-9"	6'-2"	4'-8"	1'-9"	6'-2"	4'-8"	141±

Note: a₃ Bars to be Placed Approx. 2" Below Top of Inlet Cover.

STANDARD CURB INLET PRECAST TOPS

W	PRE-CAST TOP SIZE	PIPE SIZE	CU. YD. CONC.
4'-4"	3'-8" 6'-4" 7 1/2"	21" & SMALLER	0.38±
5'-4"	4'-8" 6'-4" 7 1/2"	24" & 30"	0.51±
6'-4"	5'-8" 6'-4" 7 1/2"	36" & 42"	0.64±
7'-4"	6'-8" 6'-4" 7 1/2"	48" & 54"	0.77±
8'-4"	7'-8" 6'-4" 7 1/2"	60" & 66"	0.90±

GENERAL NOTES

- Concrete tops to be installed on thin mortar cushion to insure full support along brick walls. Concrete tops may be cast in place or precast. Concrete used for inlet construction shall be concrete pavement mix.
- Contractor shall have the option of constructing 8" brick masonry walls between the concrete inlet base and top on this inlet when W=6'-4" and H=7'-0" or less.
- Inlet invert shall be shaped with B sack sand mix concrete to create flow channels and to increase hydraulic efficiency such that the inlet will be self-cleaning between all inlet and/or outlet pipes.
- The ends of all pipes installed in inlets shall be cut off flush with the inside face of the inlet wall.

Revised - Dec. 21, 1984

BG PRODUCTS
TYPE 1 CURB INLET
 INLET OPENING = 6" X 6"

BAUGHMAN COMPANY P.A.
 ENGINEERING, SURVEYING, & PLANNING
 316-262-7271 • 315 ELLIS • WICHITA, KANSAS 67211

PROJECT NUMBER: _____

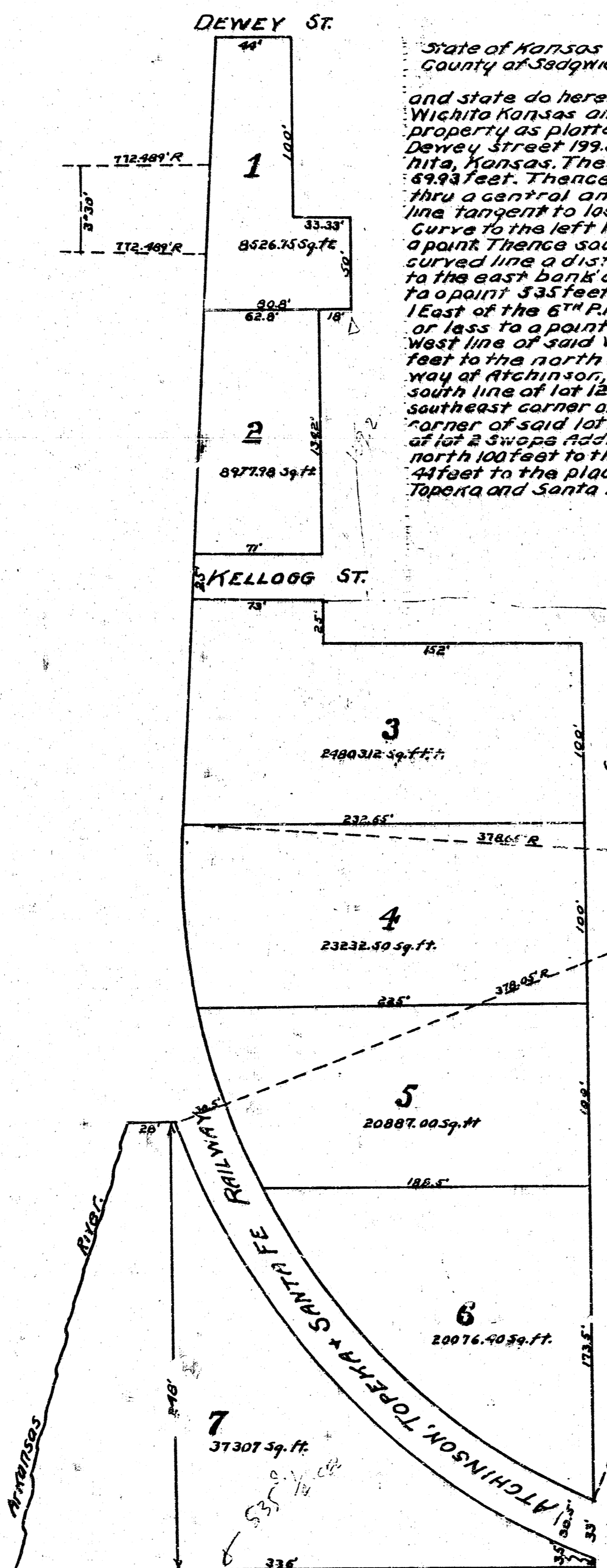
DESIGN STAFF: _____ DRAWN STAFF: _____ APPROVED: _____ DATE: _____ SCALE: _____

SHEET 5 OF 6

JACKSON-WALKER ADDITION

TO
WICHITA KANSAS

Scale 1"=60'



State of Kansas } ss.
County of Sedgwick } ss.
I, Ransom H. Brown, County Surveyor, in and for said County and State do hereby certify that I have plotted Jackson-Walker Addition to Wichita Kansas and that the accompanying plat is a correct exhibit of the property as platted, described as follows: Beg. at a point on the south side of Dewey Street 199.33 feet west of the west line of Wichita Street in the City of Wichita, Kansas. Thence south parallel with the said west line of Wichita Street 69.93 feet. Thence to the right on a curved line having a radius of 172.49 feet thru a central angle of 3°-30' to a point of tangency. Thence southerly along a line tangent to last above described curved line 61.6 feet to a point of curve. Curve to the left having a radius of 378.05 feet thru a central angle of 23°-4' to a point. Thence southwesterly along a line normal to last above described curved line a distance of 36.5 feet to a point. Thence west 28 feet more or less to the east bank of the Arkansas River. Thence southwesterly along said east bank to a point 53.5 feet south of the north line of Section 29, Township 22 South Range 1 East of the 6th R.M. Thence east parallel with said section line 33.5 feet more or less to a point on the west line of Wichita Street. Thence north along the west line of said Wichita Street 51.6 feet. Thence west 15.2 feet. Thence north 25 feet to the north line of said section 29. Thence west to feet to the right of way of Atchinson, Topoka and Santa Fe Ry. Co. Thence northerly 85 feet to the south line of lot 12 Swope Addition to Wichita Kansas. Thence east 71 feet to the southeast corner of lot 11 Swope Addition. Thence north 134.2 feet to the northeast corner of said lot 11 Swope Addition. Thence east 18 feet to the southeast corner of lot 2 Swope Addition. Thence north 59 feet. Thence west 33.33 feet. Thence north 104 feet to the northeast corner of said lot 2 Swope Addition. Thence west 41 feet to the place of beginning. Except right of way 30.5 feet wide of Atchinson Topoka and Santa Fe Ry.

Ransom H. Brown County Surveyor
Know all men by these presents that Jackson-Walker Cool and Mining Co. have caused the land described in the surveyor's certificate to be platted into lots and known as Jackson-Walker Addition to Wichita Kansas.
Jackson-Walker Cool and Mining Co.
By G.T. Walker President.
J.A. Parkinson Secretary.

State of Missouri } ss.
County of Jackson } ss.
Be it remembered that on this 24th day of January 1917 before me a Notary Public and for said County and State came G.T. Walker President and J.A. Parkinson Secretary of said company and said persons duly acknowledged the execution of some as act and deed of said company.
My commission expires Sept 28, 1919.
Frank Huntoon
Notary Public.

State of Kansas } ss.
County of Sedgwick } ss.
This is to certify that this instrument was filed for record on the 25th day of July A.D. 1917 at Jackson, Kan. and duly recorded in book _____ on page _____.
Paul Deam Register
A.E. Franz Deputy.
Entered on transfer record Jan 25 1917
H.N. Barratt County Clerk.
Approved by Board of Commissioners
July 17, 1917
M.D. Lester City Clerk.
O.K. P.L. Brockway

I, Joseph Bowman Register of Deeds of Sedgwick County Kansas do hereby certify that the accompanying plat is a true and correct copy of the plat of Jackson-Walker Addition to Wichita Kansas, that the original of which above is a copy on file in my office and I have the legal custody thereof. Witness my hand and the seal of my office this 17th day of July 1917.
Joseph Bowman
Register of Deeds

J-16