

SANITARY SEWER TO SERVE Church Of The Magdalen Addition

LOT 1

Private Project Number

1028 PPS (607861)

CITY OF WICHITA, KANSAS

Michael E. Lindebak, P.E. City Engineer

May 2001

Index

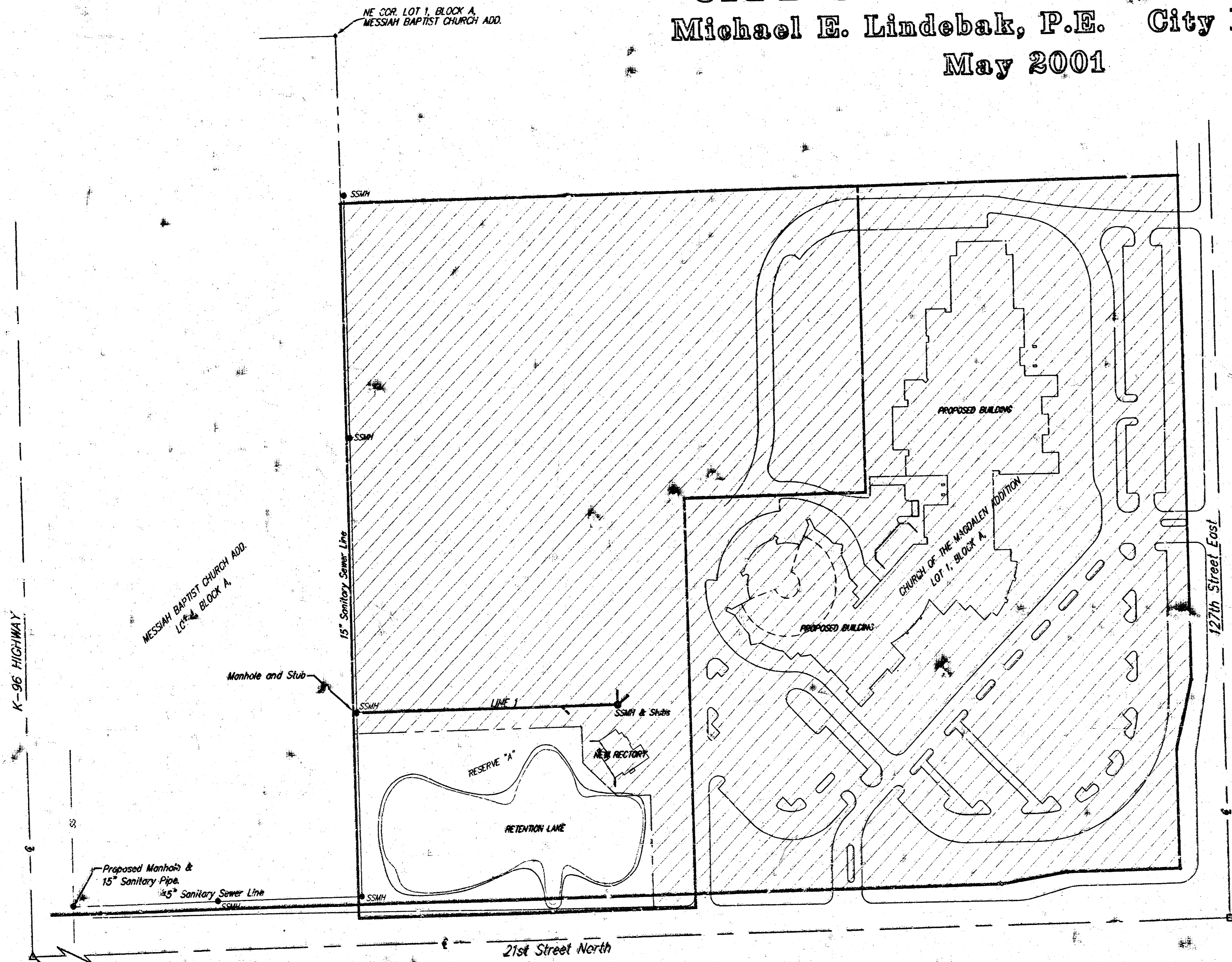
Cover Sheet	1
Plan/Profile Sheet	2
Manhole Details	3
Ring & Cover Details	4
Key Of Plot	5

APPROVED AS NOTED
BY CITY ENGINEER OF WICHITA

Sanitary Sewers *MLL*

NOTE TO CONTRACTORS

Installation, inspection and testing for this project is to be provided by a Licensed Consulting Engineering Firm under contract with the Owner/Developer. Inspection to be in accordance with the City of Wichita standard construction engineering practices and certified by a Licensed Professional Engineer. No work shall be performed in dedicated easements or public right-of-way by the Contractor without such inspection nor shall any work be commenced without written authorization by the City Engineer. All Construction and Materials shall comply with the City of Wichita Specifications and Standards (on file and available in the City Engineer's Office).



BENCHMARKS:

COUNTY Benchmark #1:
"□" Cut South Headwall 1/2 mile West of 127th Street East on 37th Street North.
Elevation = 200.16 City Datum

Benchmark #2:
"O" in "Open" of Fire Hydrant On East Side of 127th Street East Approximately 354' North of Intersection of 127th Street East & 21st Street North.
Elevation = 197.93 City Datum

Benchmark #3:
Top of Iron Pipe S.E. Corner, Sec. 3, T27S, R2E Intersection of 127th Street East & 21st Street North.
Elevation = 198.01 City Datum

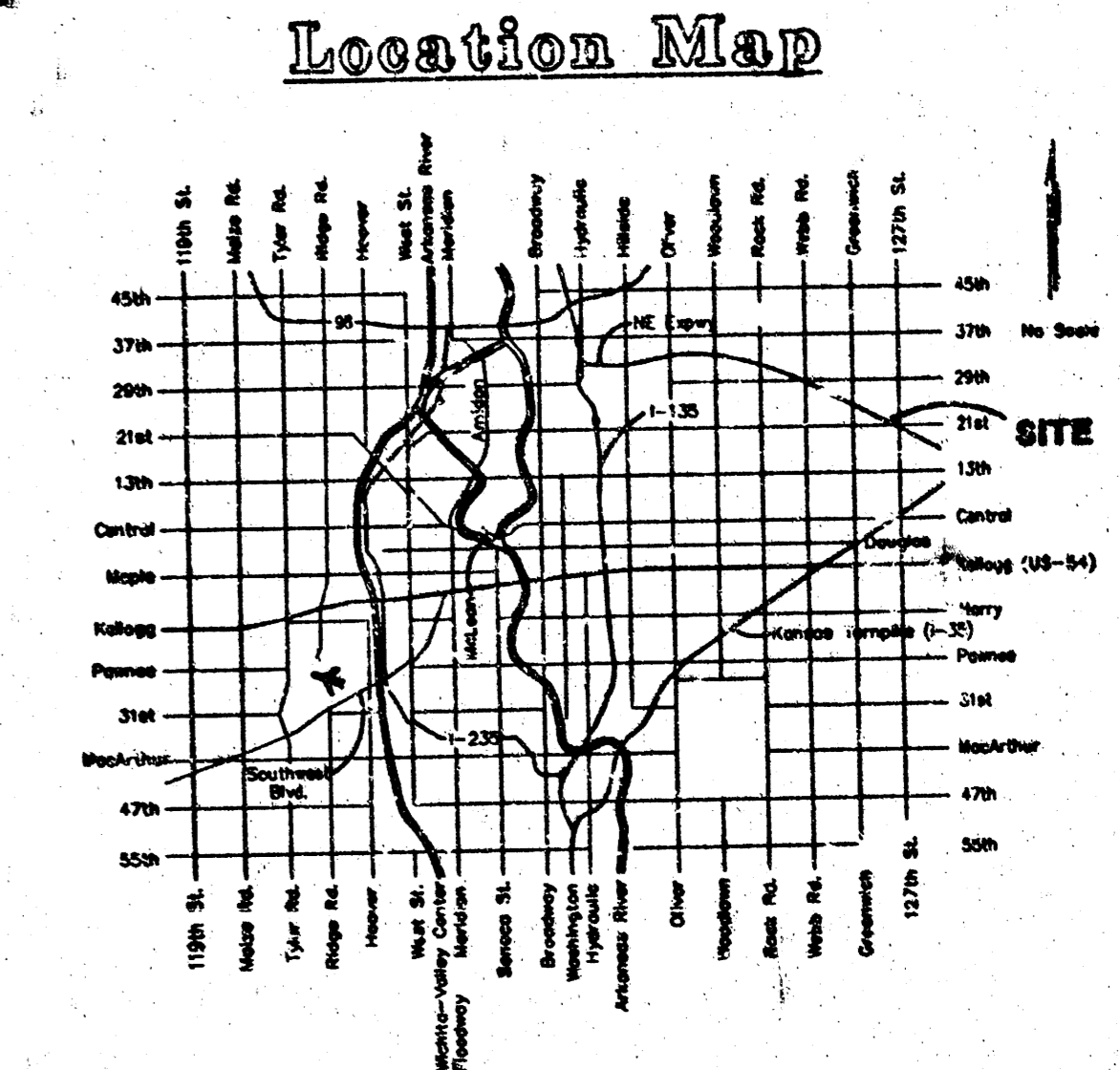
SCALE:
1" = 100'

LEGAL DESCRIPTION:

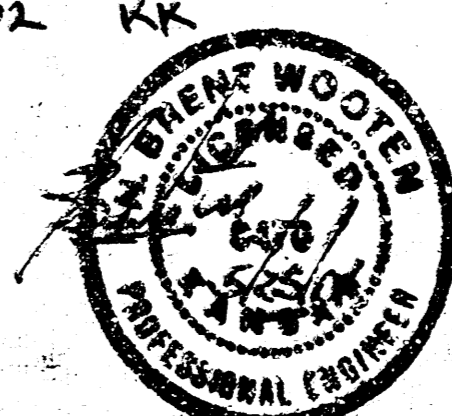
Lot 1, Block A, Church Of The Magdalen Addition
Wichita, Sedgwick County, Kansas

General Notes

- Contractor will be required to provide notice to utility companies a minimum of forty-eight (48) hours prior to any excavation, as follows:
Kansas One-Call 687-2470
The Contractor must notify the following in case of an emergency:
Cox Communications 262-4270
Kansas Gas Service Company 383-8600
Kansas Gas & Electric Company 383-8650
Peoples Gas Company 942-7600
Southwestern Bell Telephone Company 1-571-2611
City of Wichita Water Department 268-4908
City of Wichita Sewer Department 268-4071
- Utility service lines, poles, valve boxes, meters, et cetera are to be adjusted as necessary by others prior to construction unless the plans specifically call for their adjustment by the Contractor or unless the plans specifically identify a utility to be adjusted by its owner during construction. Existing utilities and their location, as shown on the plans, represent the best information obtainable for design and shall be field verified. The Contractor will be required to work around existing utilities within the right-of-way which do not conflict with proposed construction.
- Contractor shall not start work on the project until the project inspector is assigned to the project and is present on the site. Any work done without inspection will be required to be uncovered for inspection.
- Rubble from the removal of miscellaneous structures and excess excavation which is to be wasted shall be disposed of on sites to be provided by the Contractor. These sites shall be approved by the Engineer as to suitability, appearance and site location. Locations that, in the opinion of the Engineer, will leave an unsightly appearance will not be approved. All disposal sites must be approved by the Kansas Department of Health and Environment. Material either stockpiled or disposed of in a flood plain would require a Kansas State Board of Agriculture permit. Any material dumped in waters of the United States or wetlands is subject to U.S. Corps. of Engineers permitting regulations. Any material buried or stockpiled beyond approved construction limits would require additional archaeological investigations unless buried in a previously approved borrow location.
- The Contractor shall be responsible for maintaining continuous flow of sewage through construction. Contractor's proposed method for maintaining sewage flow shall be approved by the Engineer. Cost of maintaining flow of sewage through construction will not be paid for directly and this cost shall be considered as subsidiary to the other pay items of work.
- All areas disturbed by construction at the proposed site shall be seeded as follows:
SEED-- to be drilled or hydroseeded
4 lbs. per 1000 s.f. of K-31 Fescue (PLS)
6 lbs. per 1000 s.f. of Rye Grass (PLS)
2 lbs. per 1000 s.f. of Bromegrass (PLS)
MULCH--
2 tons of Prairie Hay or Bromegrass Hay per Acre--
"patted" with forks or punched into soil to reduce loss due to wind.



PDF
8/28/02
RDL



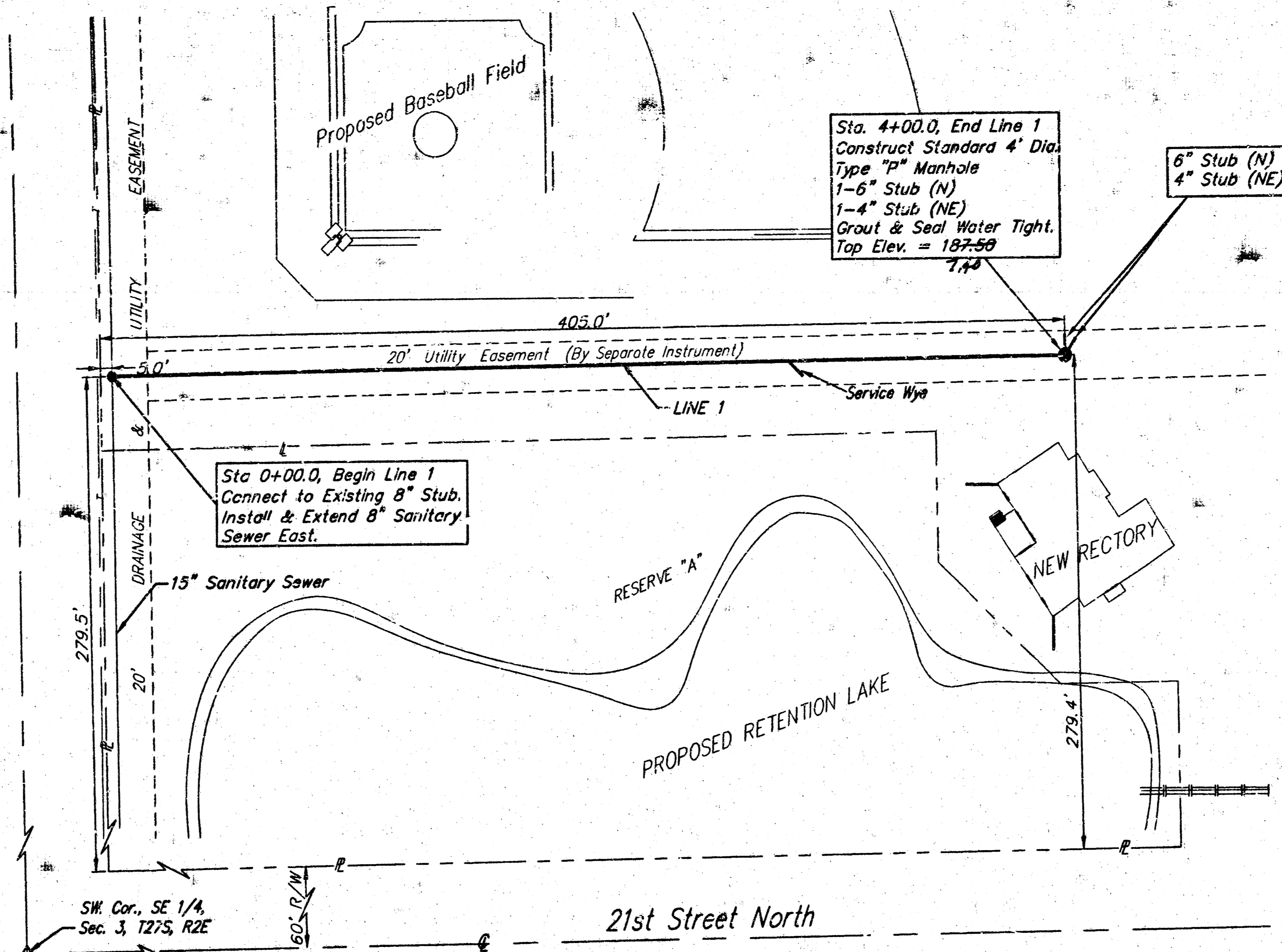
BAUGHMAN COMPANY P.A.
ENGINEERING, SURVEYING & PLANNING
319-282-7211 • 319-215-4113 • WICHITA, KANSAS 67211

BENCHMARKS:

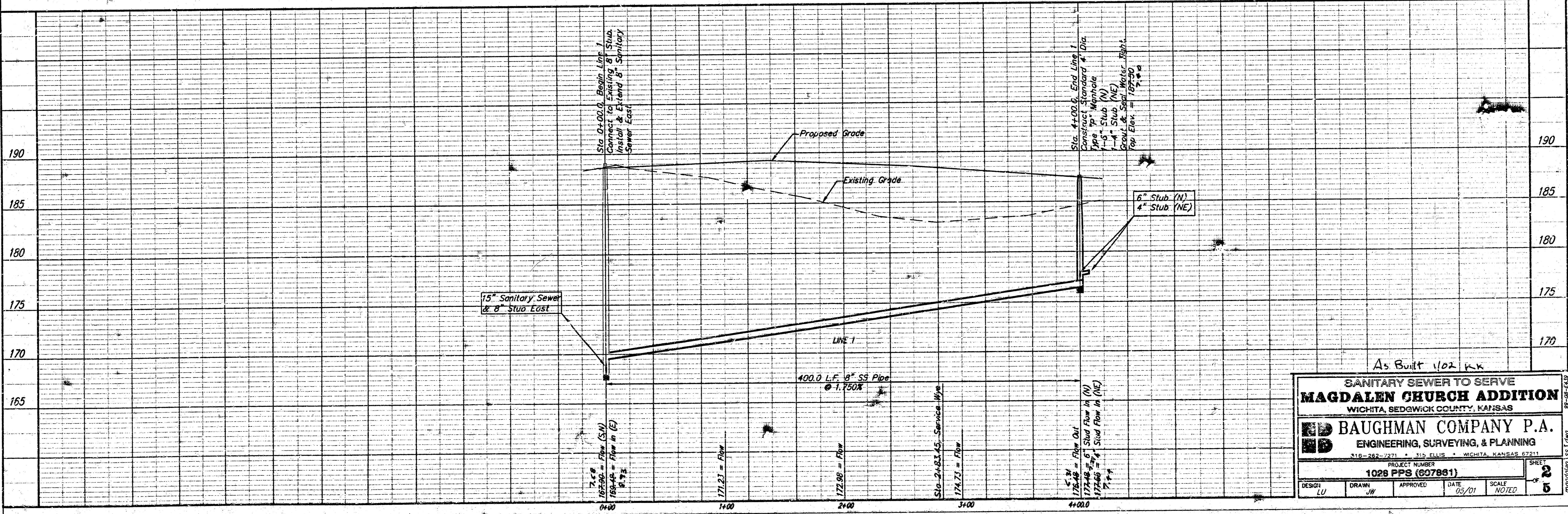
COUNTY Benchmark #1
 "O" in "Open" of Fire Hydrant On East Side of 127th Street East on 37th Street North.
 Elevation = 200.16 City Datum

Benchmark #2
 "O" in "Open" of Fire Hydrant On East Side of 127th Street East Approximately 354' North of Intersection of 127th Street East & 21st Street North.
 Elevation = 197.93 City Datum

Benchmark #3
 Top of Iron Peg S.E. Corner, Sec 3, T27S, R2E
 Intersection of 127th Street East & 21st Street North.
 Elevation = 198.01 City Datum



SCALE:
 1" = 40' HORIZONTAL
 1" = 5' VERTICAL



As Built 1/02 KK

SANITARY SEWER TO SERVE
MAGDALEN CHURCH ADDITION
 WICHITA, SEDGWICK COUNTY, KANSAS

BAUGHMAN COMPANY P.A.
 ENGINEERING, SURVEYING, & PLANNING

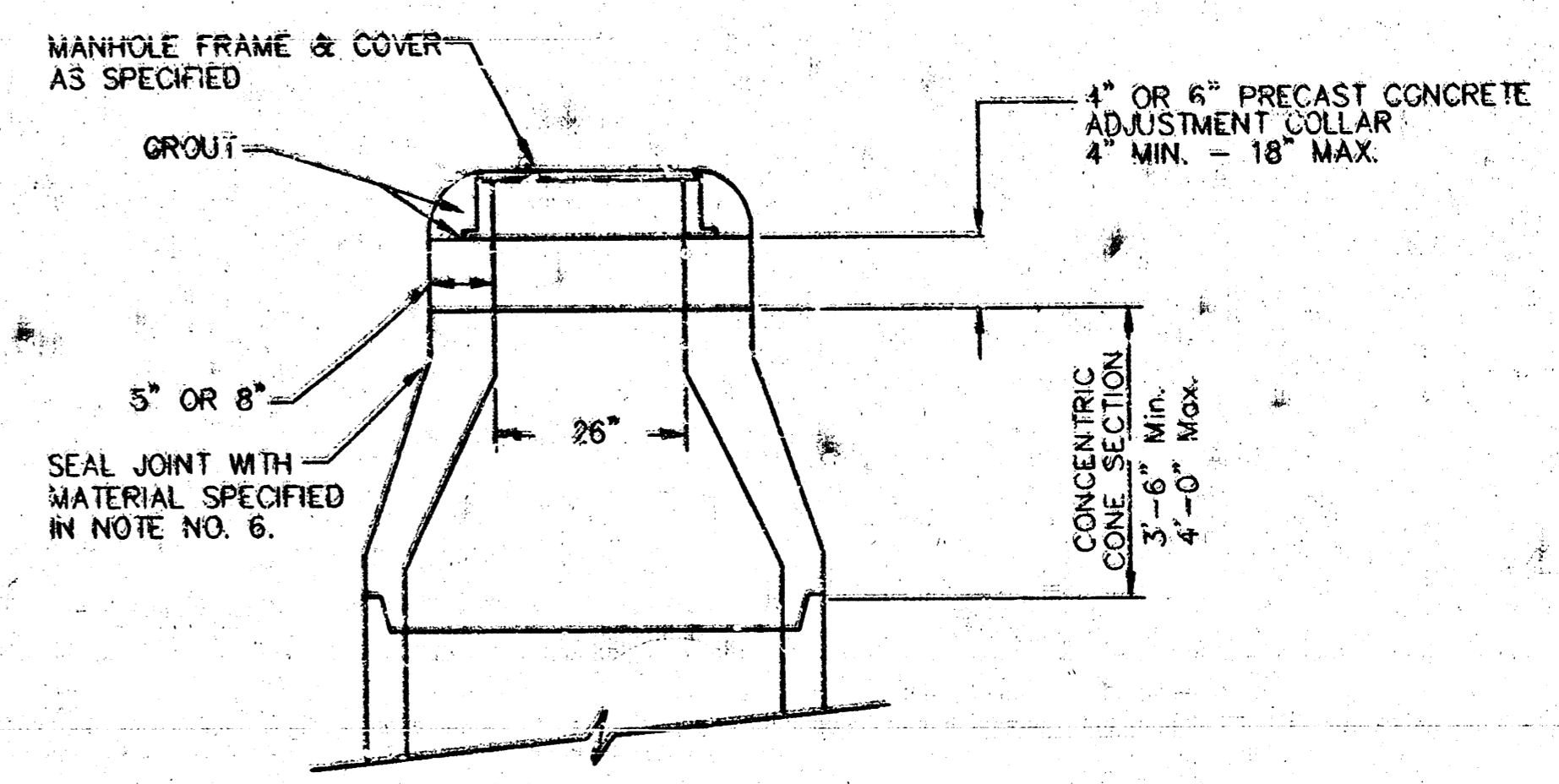
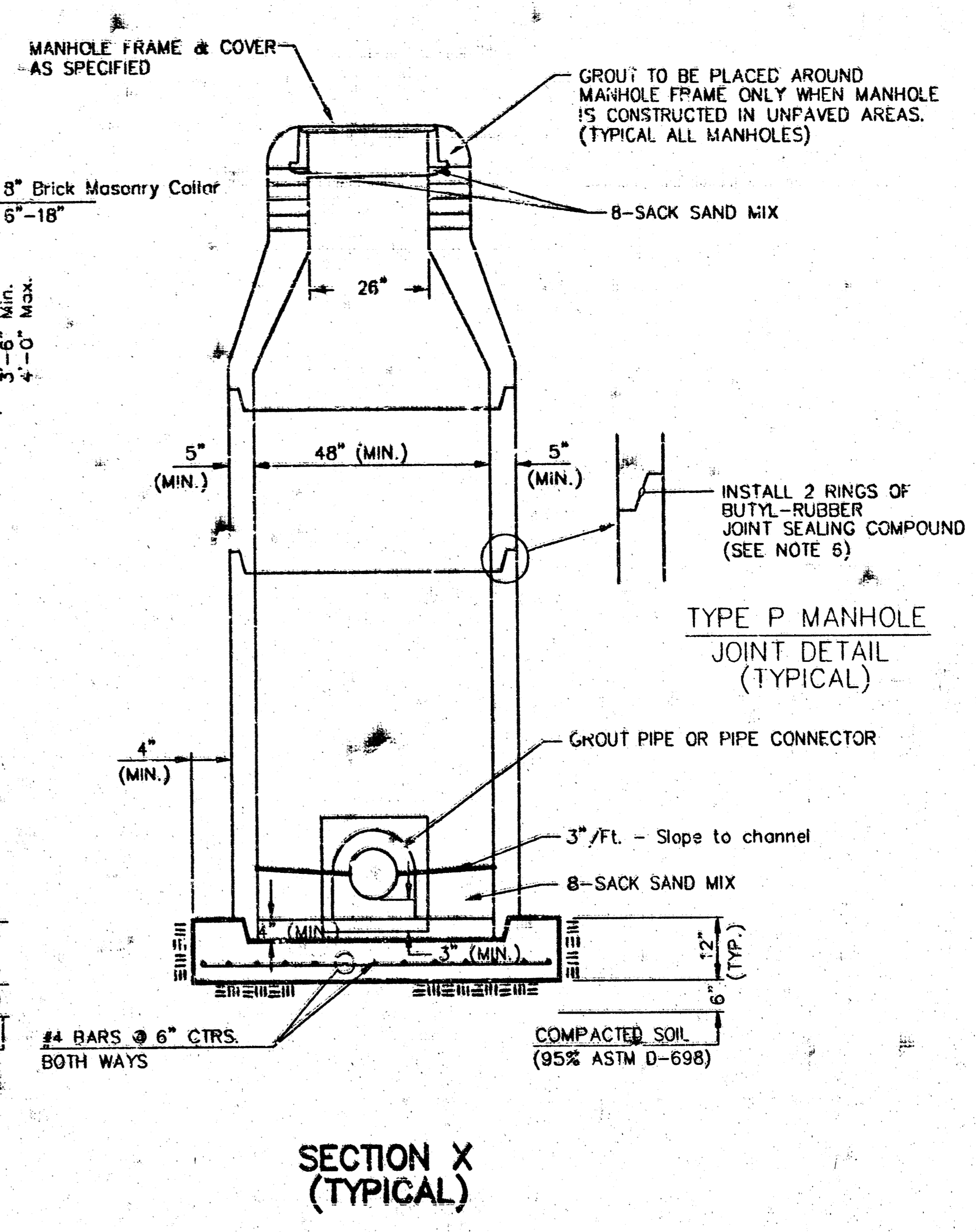
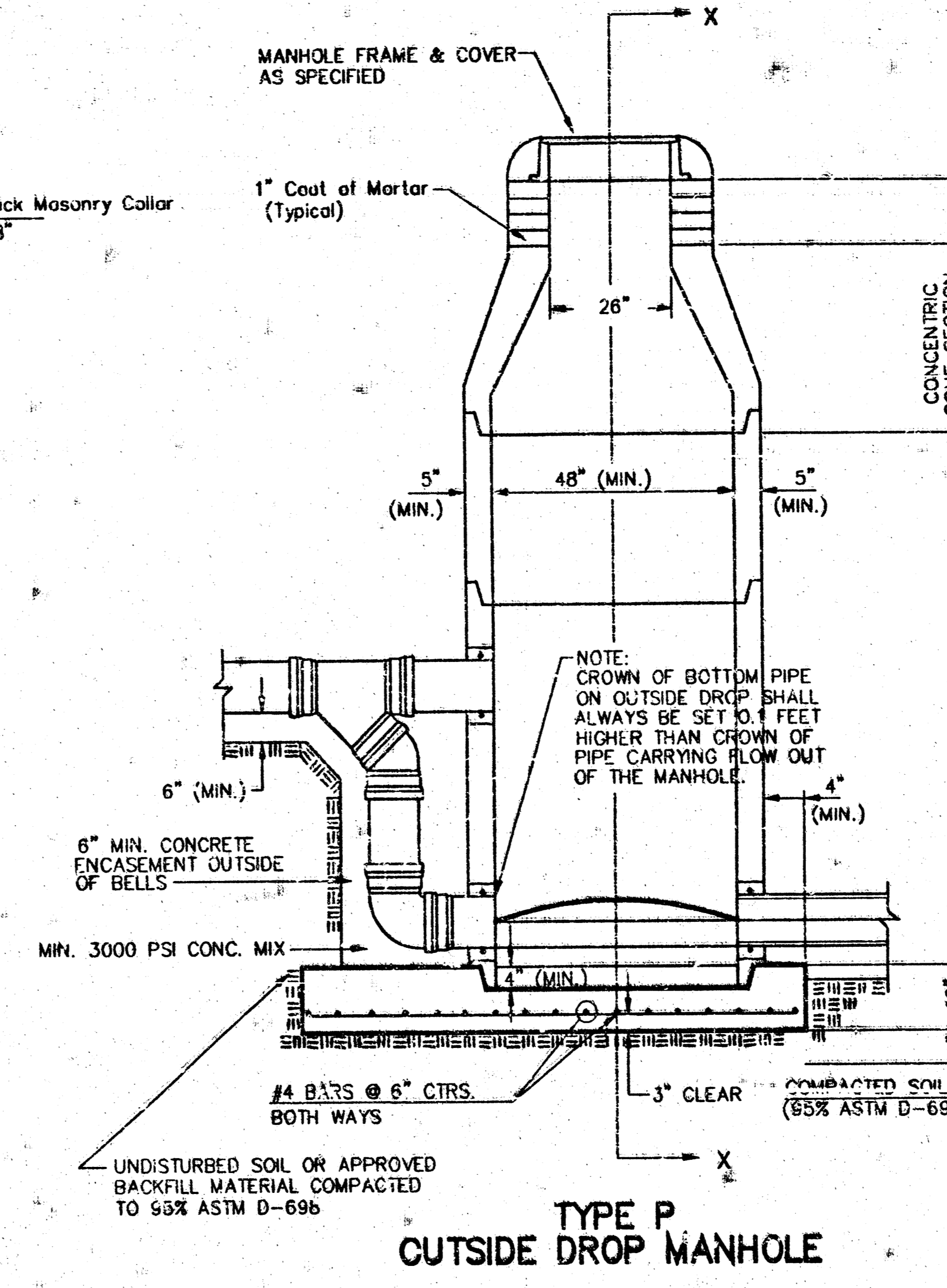
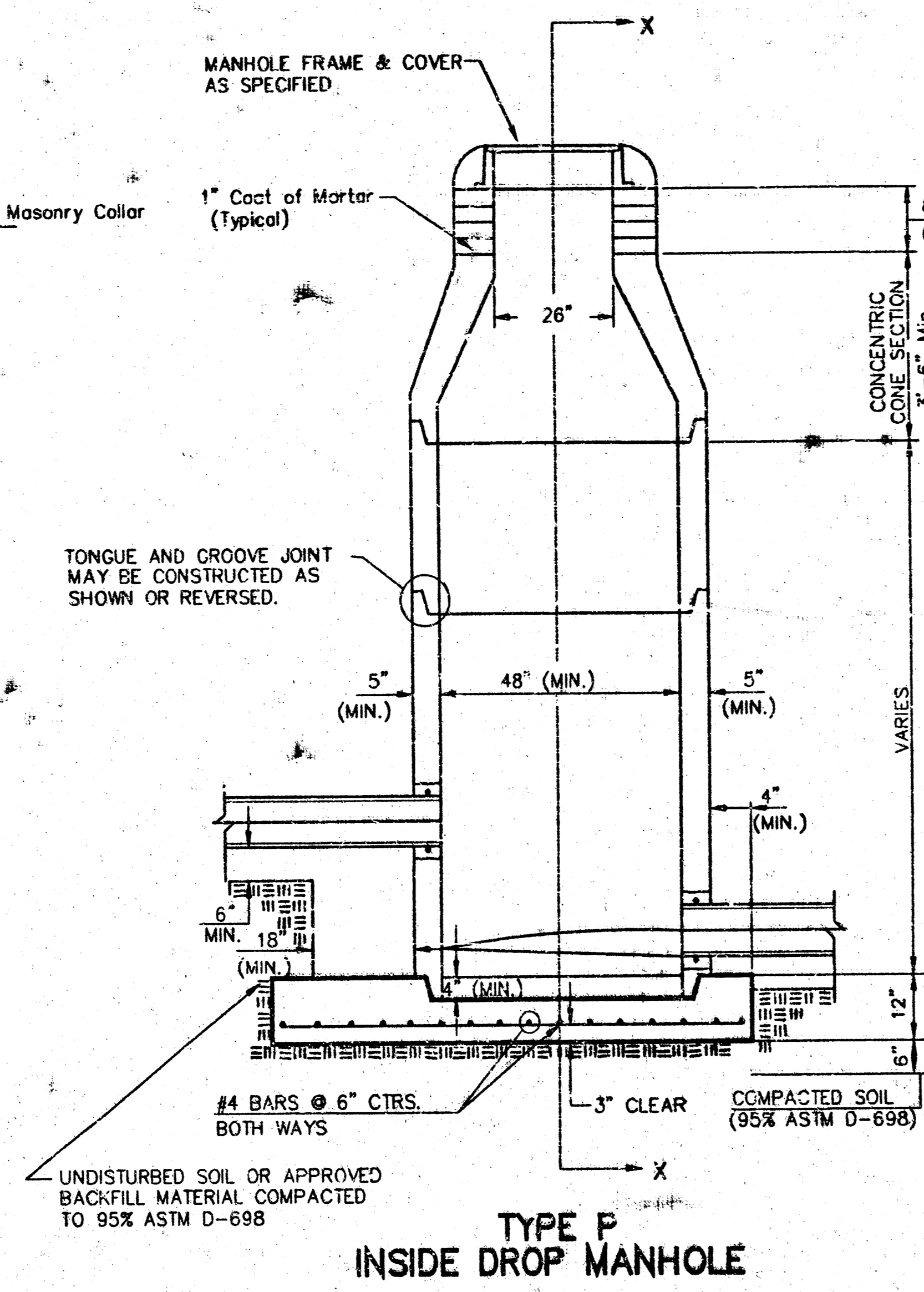
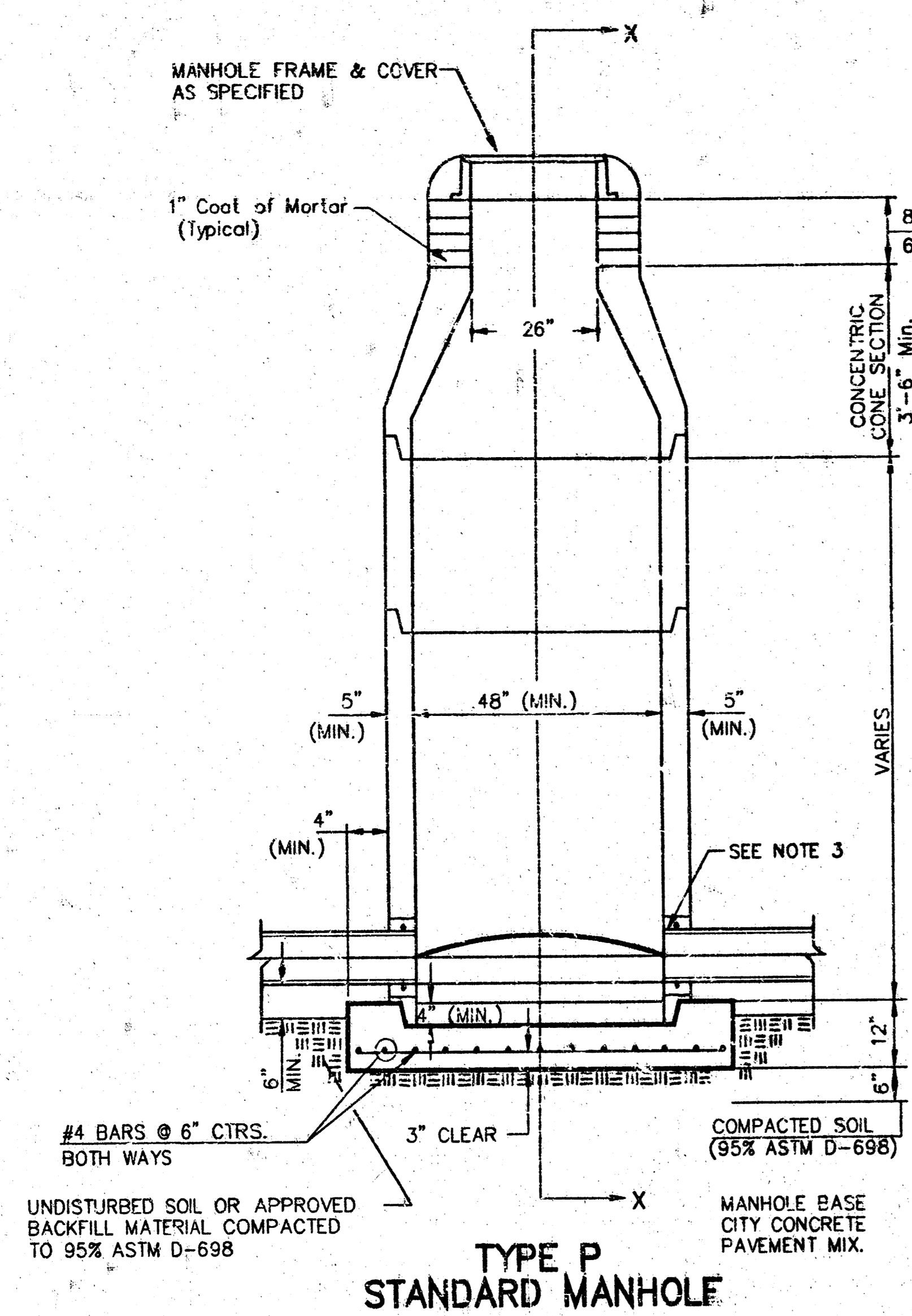
316-262-7271 • 319 ELLIS • WICHITA, KANSAS 67211

PROJECT NUMBER
1028 PPS (007881)

DESIGNER: LU DRAWN: JW APPROVED: [Signature] DATE: 05/01 SCALE: NOTED

SHEET 2 OF 5

SEWER APPURTENANCES DETAILS



- GENERAL NOTES**
- PRECAST MANHOLE NOTES**
- ALL PRECAST CONCRETE MANHOLE SECTIONS SHALL CONFORM TO THE LATEST REVISIONS OF A.S.T.M. C478 AS MODIFIED BY THE SPECIFICATIONS.
 - NON-SHRINK GROUT SHALL BE NON-METALLIC TYPE.
 - APPROVED FLEXIBLE WATERSTOP GASKETS SHALL BE INSTALLED TO JOIN THE SEWER TO THE MANHOLE WALL WHEN A.B.S. COMPOSITE PIPE OR P.V.C. PIPE IS USED. FOR OTHER TYPES OF PIPE THE SEWER SHALL BE GROUTED IN PLACE WITH NON-SHRINK GROUT. THE SEWER PIPE SHALL BE SUPPORTED WITH CONCRETE ENCASEMENT A MINIMUM OF 3 FEET FROM THE MANHOLE WALL AND TO THE FIRST JOINT FOR V.C.P. SUCH THAT THE JOINT REMAINS FLEXIBLE.
 - ALL INSIDE SURFACES OF THE CONCRETE MANHOLE WHICH WOULD BE EXPOSED TO SEWER GAS SHALL BE COATED WITH 2 COATS (NEMEC SERIES 66 HI-BUILD EPOXYLINE, DRY THICKNESS OF 8 MILS (MIN.))
 - EXTERIOR MANHOLE WALLS SHALL BE COATED WITH 1 COAT MOBILARMA 633 BITUMINOUS COATING.
 - JOINT SEALING COMPOUND SHALL BE KENT SEAL NO. 2 OR APPROVED EQUAL.
 - PRECAST MANHOLES SHALL BE SET AT LEAST 4 INCHES INTO THE MANHOLE BASE.
 - TOP OF MANHOLE FLOOR SLAB SHALL BE AT LEAST 3 INCHES BELOW THE FLOW LINE OF THE OUTLET PIPE TO INSURE SUFFICIENT MINIMUM THICKNESS OF SHAPED INVERT.
 - LIFTING HOLES SHALL BE FILLED WITH NON-SHRINK GROUT AND THE INTERIOR SURFACE COATED AS SPECIFIED.
 - MORTAR USED IN MASONRY CONSTRUCTION SHALL CONTAIN 8 SACKS OF CEMENT PER CUBIC YARD. CONCRETE USED IN MANHOLE BASES SHALL CONFORM TO THE REQUIREMENTS OF CONCRETE FOR CONCRETE PAVEMENT CONSTRUCTION AS SPECIFIED IN THE CITY STANDARD PAVING SPECIFICATIONS USING CITY CONCRETE PAVEMENT MIX WITHOUT AIR ENTRAINING ADMIXTURE. MORTAR SHALL BE PLACED AROUND THE MANHOLE RING AS SHOWN ON THE DRAWINGS WHEN MANHOLES ARE CONSTRUCTED IN UNPAVED AREAS. MANHOLES CONSTRUCTED WHERE PIPE SIZES ARE SMALLER THAN 24" SHALL HAVE AN INSIDE DIAMETER OF 4". MANHOLES CONSTRUCTED WHERE PIPE SIZES ARE 24" OR LARGER SHALL HAVE AN INSIDE DIAMETER OF 5". COMPLETED MANHOLE SHALL BE WITHOUT LEAKS AND WATER TIGHT.

- REINFORCING STEEL SHALL BE INSTALLED IN THE MANHOLE BASES AND SHALL CONSIST OF NO. 4 BARS PLACED @ 6" CENTERS IN BOTH DIRECTIONS. THE MANHOLE BASE REINFORCEMENT SHALL BE PLACED AT LEAST 3" ABOVE THE BOTTOM OF THE MANHOLE BASE. ALL COSTS FOR FURNISHING AND INSTALLING REINFORCING STEEL SHALL BE INCLUDED IN THE UNIT PRICE BID FOR THE MANHOLE.
- OPENINGS SHALL BE CUT INTO THE MANHOLE WALL WHEN OUTSIDE DROPS ARE CONSTRUCTED ON EXISTING MANHOLES. SUCH OPENINGS CUT INTO EXISTING MANHOLES SHALL BE AS SMALL AS PRACTICAL TO FACILITATE INSTALLING AND GROUTING THE NEW PIPE IN PLACE. WATERSTOP GASKETS SHALL BE USED WITH P.V.C. AND A.B.S. COMPOSITE PIPES. THE NEW PIPE SHALL BE GROUTED INTO THE OPENING USING AN APPROVED NON-SHRINK GROUT FOR THE FULL MANHOLE WALL THICKNESS. THE EXTERIOR OF THE COMPLETED CONNECTION SHALL BE SEALED WITH AN APPROVED BITUMINOUS COATING SUCH THAT THE CONNECTION WILL BE WATER TIGHT. FLOOR OF MANHOLE SHALL BE MODIFIED TO FORM NEW FLOW CHANNEL FOR THE NEW CONNECTION AS INDICATED BY THE DRAWING. THIS WORK, INCLUDING MODIFICATION OF MANHOLE FLOOR, SHALL BE PAID FOR AT THE UNIT PRICE BID FOR OUTSIDE DROP STACK CONSTRUCTED ON EXISTING MANHOLE.
- THE FLOORS OF ALL MANHOLES SHALL BE SHAPED WITH FLOW CHANNELS SUCH THAT THE MANHOLES WILL BE SELF-CLEANING AND FREE OF AREAS WHERE SOLIDS COULD BE DEPOSITED AS SEWAGE FLOWS THROUGH THE MANHOLE FROM INLET PIPES TO THE OUTLET PIPE. FLOW CHANNELS SHALL BE FORMED TO MATCH THE BOTTOM HALVES OF THE INFLOWING PIPES AND THE OUTFLOWING PIPE AS SHOWN BY THE DRAWINGS EXCEPT FOR INSIDE DROP MANHOLES. FLOW CHANNELS FOR INSIDE DROP MANHOLES SHALL BE CONSTRUCTED AS INDICATED BY THE DRAWING. MANHOLE FLOORS SHALL HAVE SLOPES OF 3 INCHES PER FOOT IN THE AREAS OUTSIDE OF THE FLOW CHANNELS SLOPED TOWARD THE FLOW CHANNELS. PIPES LAID THROUGH MANHOLES SHALL HAVE THE TOP HALF REMOVED TO NEAT LINES FOR THE FULL INSIDE DIAMETER OF THE MANHOLE. MANHOLE FLOORS SHALL THEN BE SHAPED AROUND THE BOTTOM HALF OF THE PIPE WHICH FORMS THE FLOW CHANNEL.
- PIPES INSTALLED WITHIN THE EXCAVATION MADE FOR THE MANHOLE SHALL BE CRADLED WITH CONCRETE TO THE LIMITS OF THE MANHOLE EXCAVATION. WHEN CLAY PIPE IS USED, THE CRADLE SHALL EXTEND TO THE FIRST JOINT OUTSIDE THE MANHOLE. THE CRADLE SHALL BE TERMINATED AT THE CLAY PIPE JOINT IN A MANNER WHICH WILL MAINTAIN THE FLEXIBILITY OF THE JOINT. COST OF CRADLE WITHIN MANHOLE EXCAVATION OR TO CLAY PIPE JOINTS ADJACENT TO MANHOLE SHALL BE INCLUDED IN THE UNIT PRICE BID FOR THE MANHOLE.

- MANHOLE COVER CASTINGS AND MANHOLE FRAME CASTINGS SHALL CONFORM TO THE REQUIREMENTS AS INDICATED IN THE STANDARD SPECIFICATIONS AND AS SHOWN IN THE STANDARD DETAIL DRAWINGS.
- THE VERTICAL DROP IN INSIDE DROP MANHOLES SHALL NOT EXCEED 2' FOR INFLOWING PIPES SIZED 12" OR SMALLER AND 2' FOR INFLOWING PIPES LARGER THAN 12". THE CROWNS OF INFLOWING PIPES SHALL NEVER BE SET LOWER THAN THE CROWN OF THE OUTFLOWING PIPE.
- STANDARD MANHOLES AND STANDARD INSIDE DROP MANHOLES SHALL BE BID AS STANDARD MANHOLES FOR THE TYPE AND DIAMETER INDICATED. OUTSIDE DROP MANHOLES SHALL BE BID AS STANDARD OUTSIDE DROP MANHOLES FOR THE TYPE AND DIAMETER INDICATED. ALL MANHOLE DIAMETERS WILL BE 4" UNLESS INDICATED OTHERWISE.
- A BRICK MASONRY COLLAR SHALL BE INSTALLED BETWEEN THE CAST IRON FRAME AND THE CONCENTRIC CONE. THE COLLAR WILL HAVE 8" WALLS AND A VERTICAL HEIGHT OF 6" MINIMUM AND 18" MAXIMUM. A 1" COAT OF MORTAR WILL BE PLASTERED ON THE OUTSIDE OF THE COLLAR. THE USE OF PRE-CAST CONCRETE SPACERS FOR MANHOLE TOP ADJUSTMENT IS ALSO ALLOWED.

CITY OF WICHITA
STD. MANHOLE DETAILS
 SEWER APPURTENANCES

BAUGHMAN COMPANY P.A.
 ENGINEERING, SURVEYING, & PLANNING

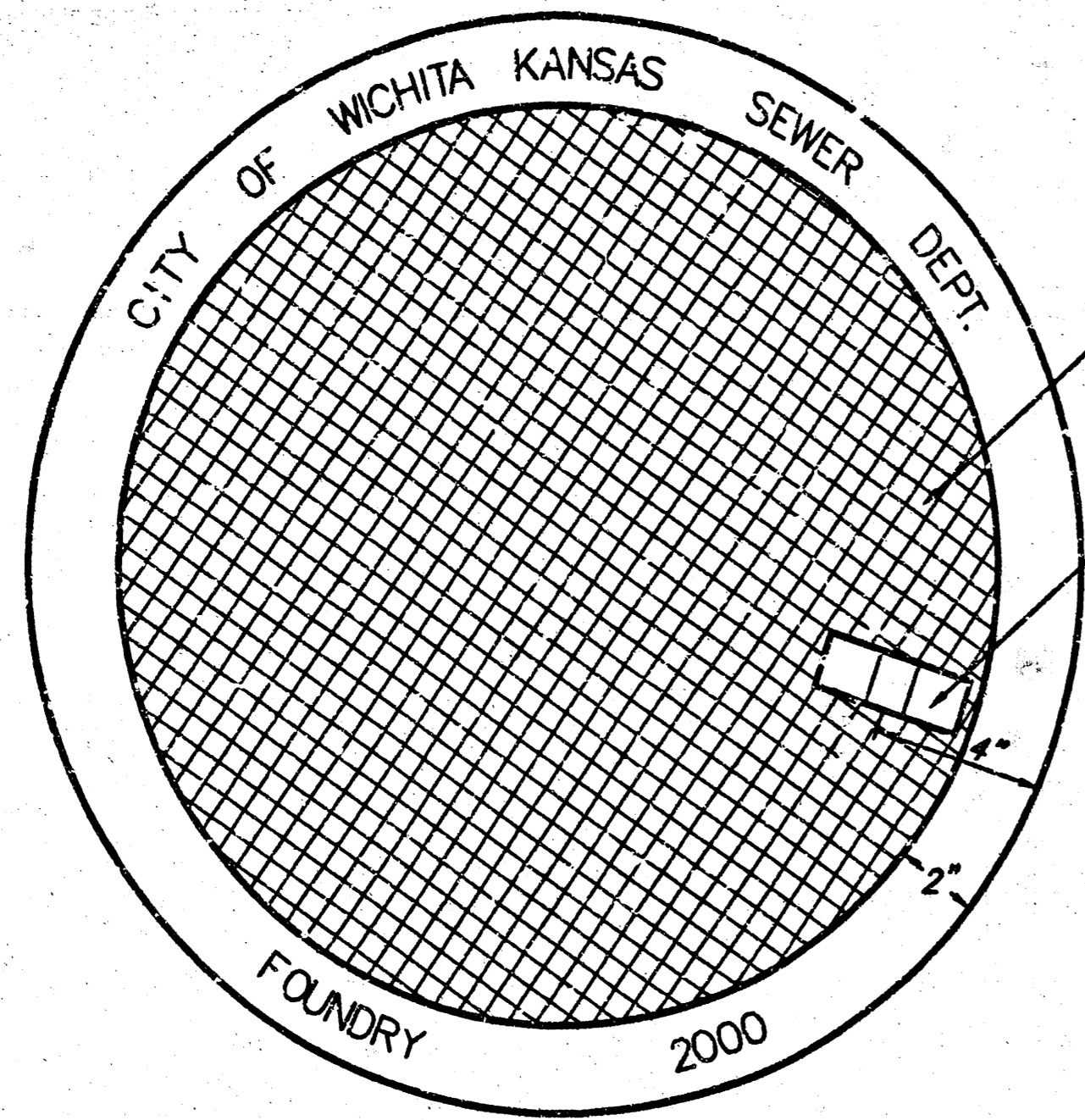
315-262-7271 • 315 E. 15th • WICHITA, KANSAS 67211

PROJECT NUMBER
1028 PFS (607881)

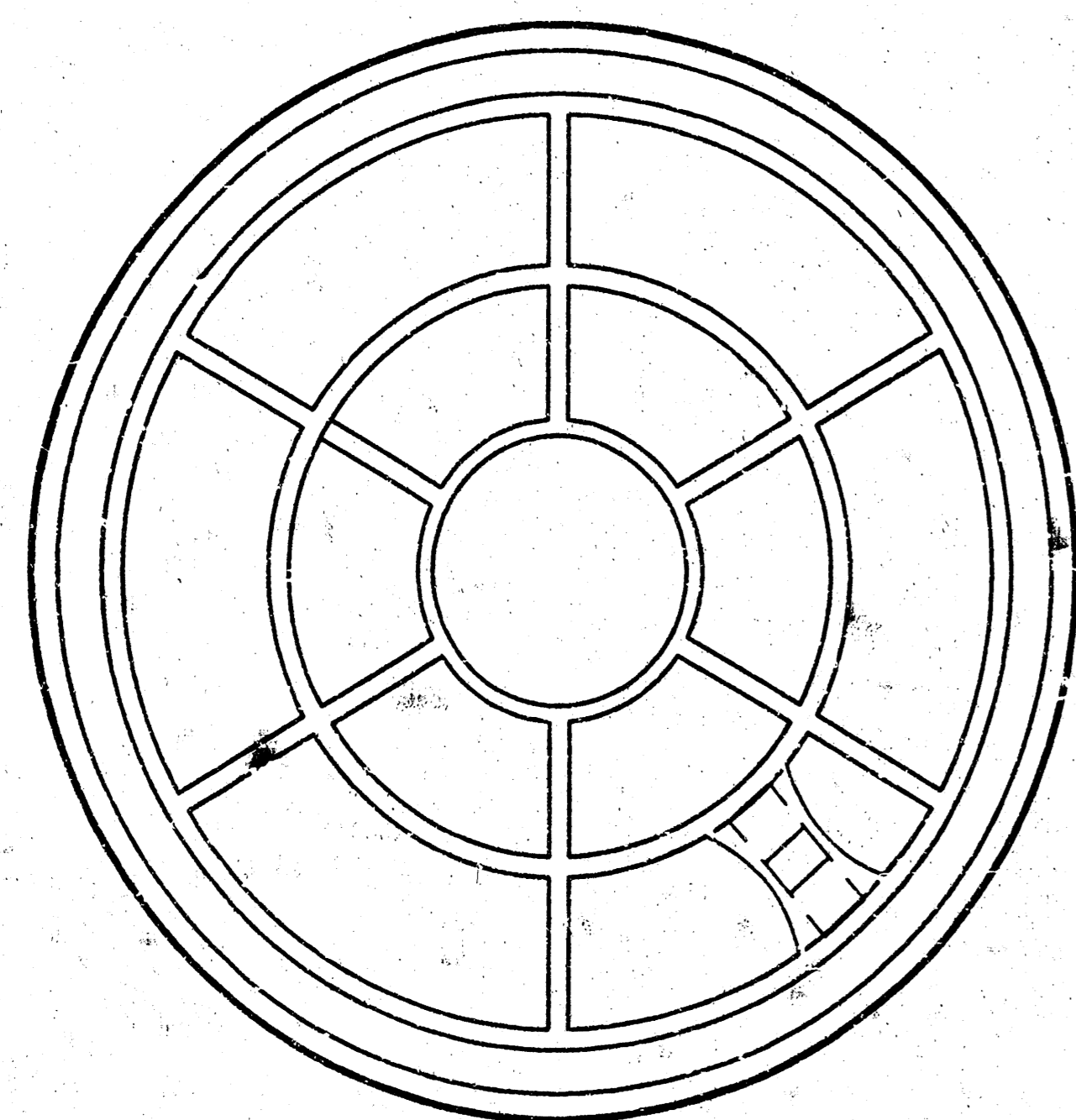
DESIGN STAFF DRAWN STAFF APPROVED DATE 05/01 SCALE NONE

SHEET 3 OF 3

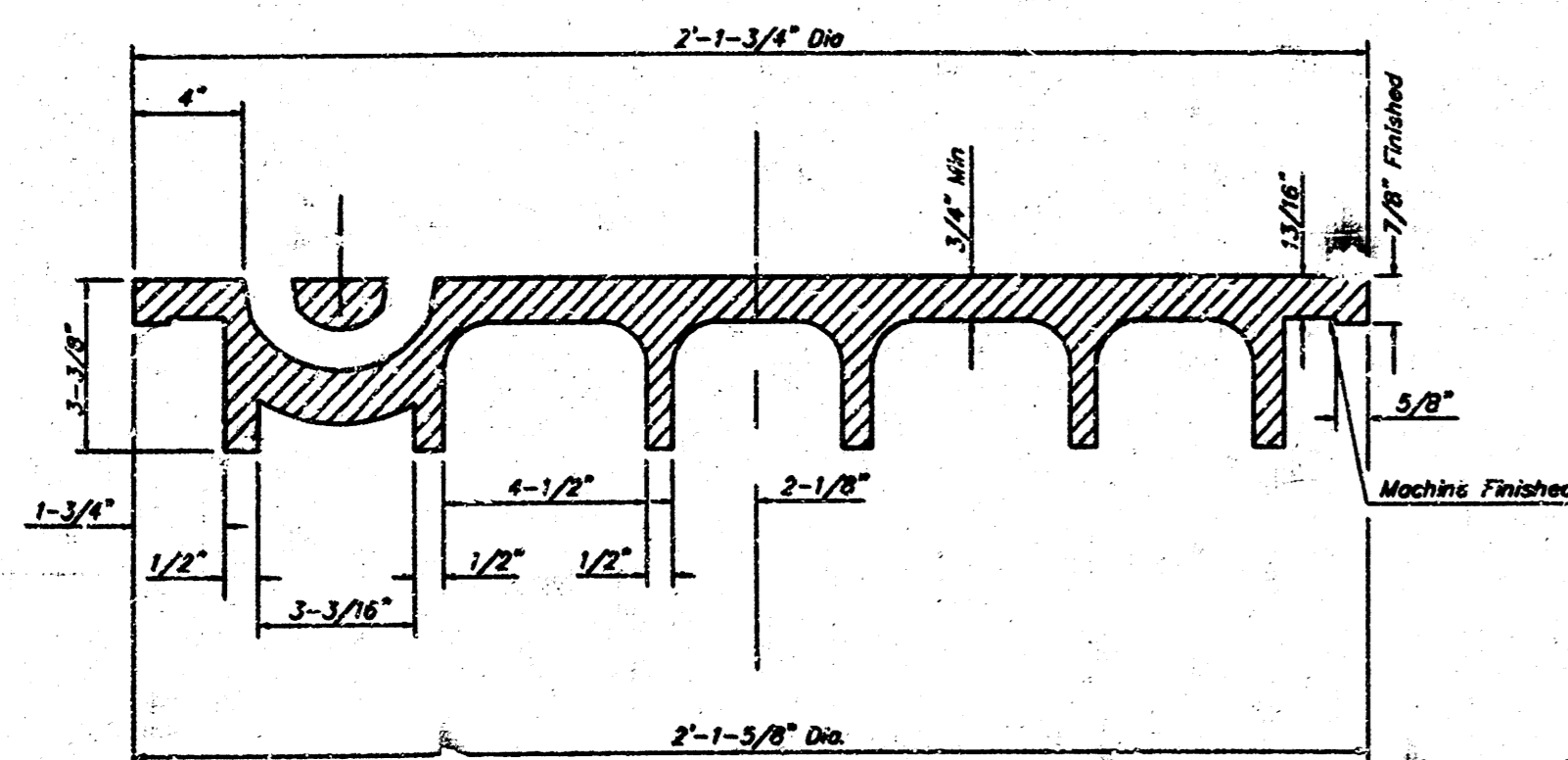
MANHOLE COVER
Weight = 180 Lbs.



TOP VIEW



BOTTOM VIEW

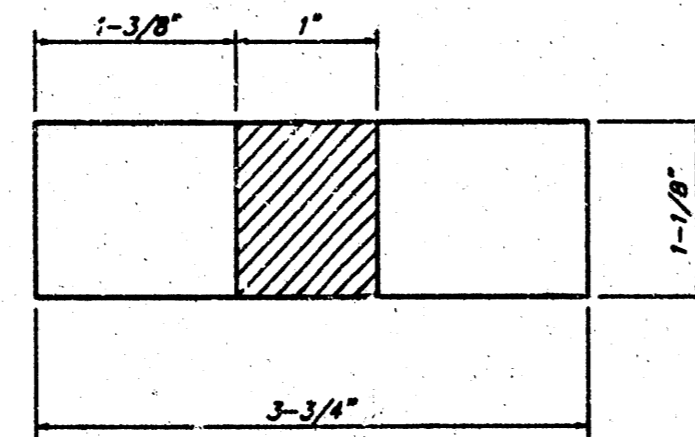


SECTION VIEW

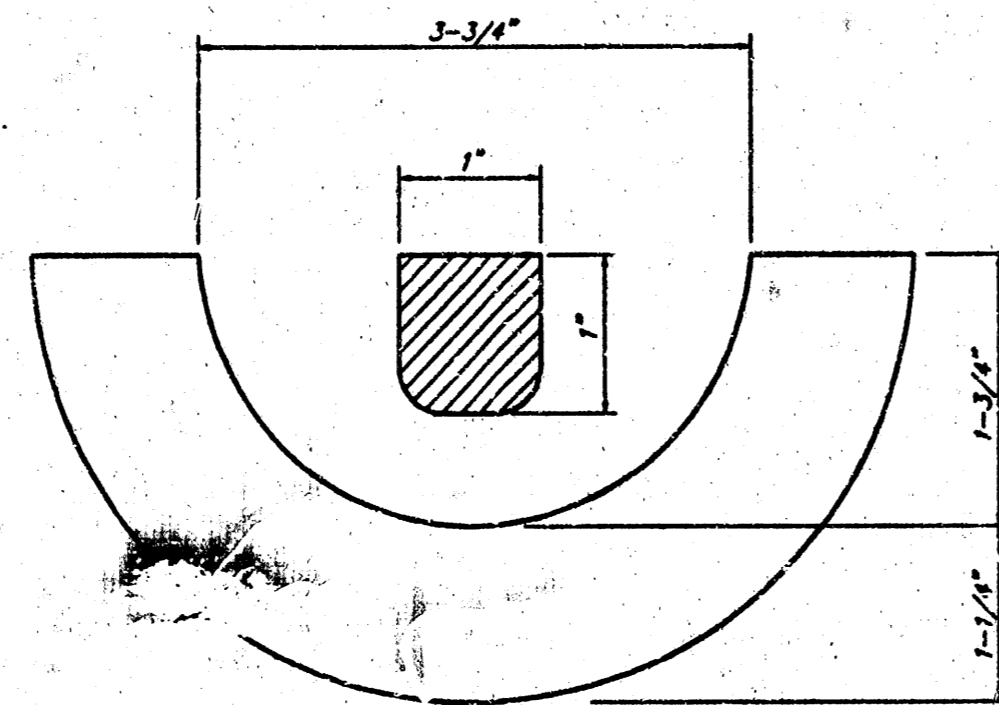
CHECKERED PATTERN TOP

CLOSED PICKHOLE (SEE DETAIL)

PICKHOLE DETAIL



TOP VIEW

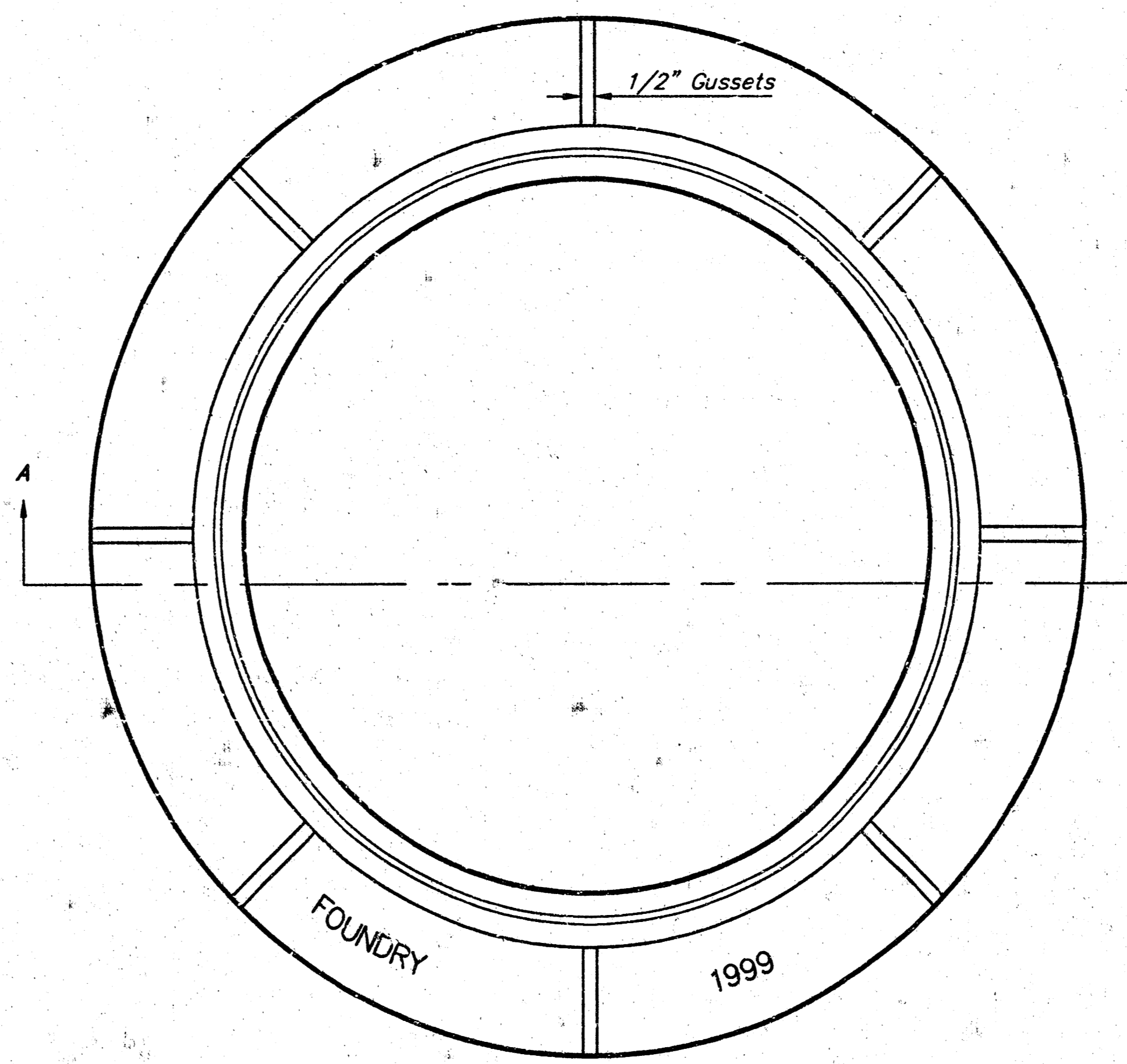


SECTION VIEW

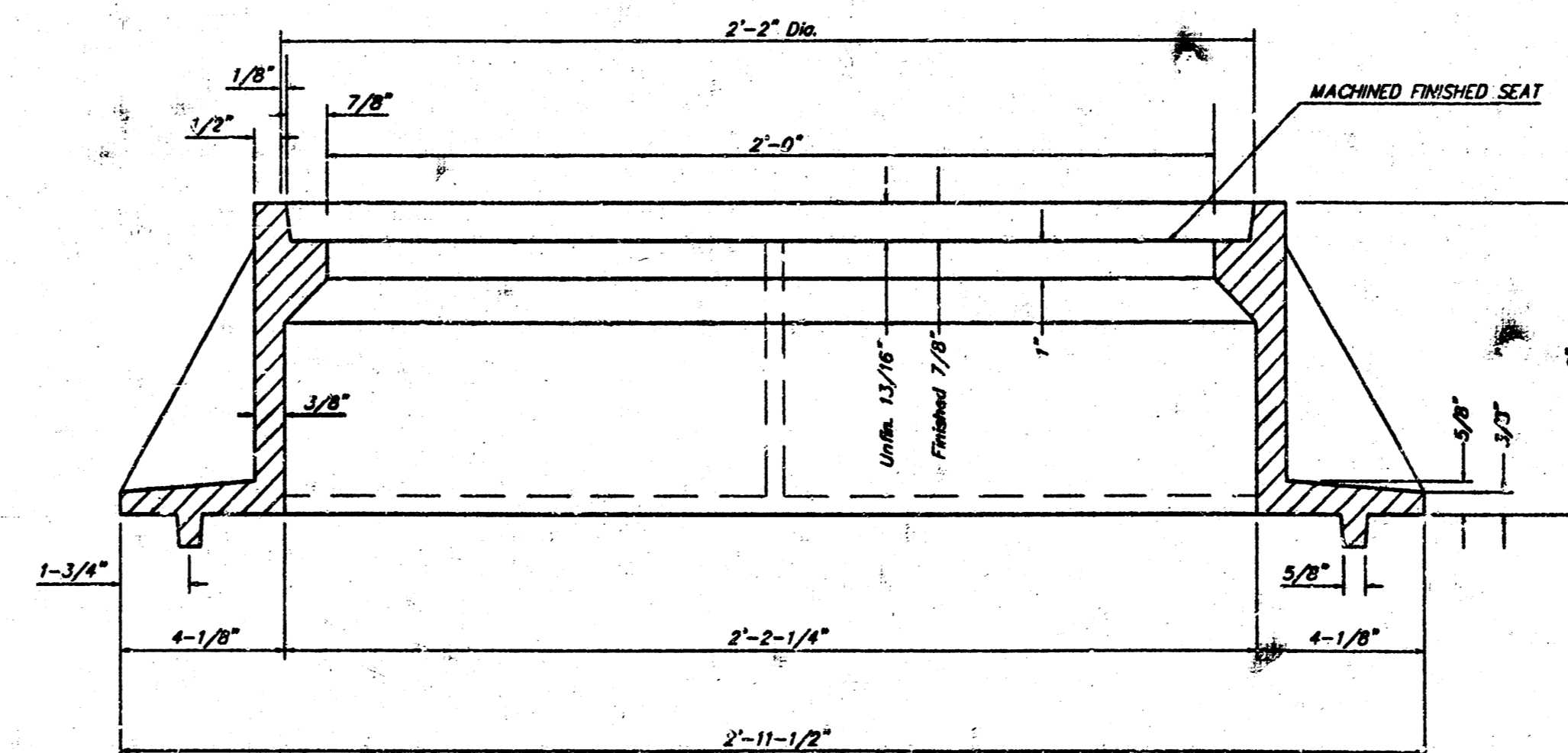
MANHOLE FRAME AND COVER DETAIL

ADOPTED AS STANDARD DESIGN BY
CITY OF WICHITA, KANSAS

MANHOLE FRAME
Weight = 145 Lbs.



TOP VIEW



SECTION A-A

GENERAL NOTES

MANHOLE CASTINGS SHALL BE MANUFACTURED USING GOOD QUALITY GRAY IRON CONFORMING TO CLASS 30 OF A.S.T.M. DESIGNATION A-48. DIMENSIONS AND WEIGHTS SHOWN ON THE DETAILED DRAWINGS SHALL BE CONSIDERED AS MINIMUM REQUIREMENTS AND ANY DEVIATIONS FROM THE DIMENSIONS SHOWN MUST BE SPECIFICALLY APPROVED. THE FINISHED CASTINGS SHALL BE OF UNIFORM QUALITY, FREE FROM BLOWHOLES, POROSITY, HARD SPOTS, SHRINKAGE DISTORTIONS OR OTHER DEFECTS.

MANHOLE CASTINGS SHALL BE COATED WITH AN ASPHALT PAINT RESULTING IN A SMOOTH, TOUGH AND TENACIOUS COATING WHICH IS NOT BRITTLE OR TACKY.

MANHOLE CASTINGS SHALL BE MANUFACTURED SUCH THAT A COVER MANUFACTURED BY ANY ONE FOUNDRY WILL FIT INTERCHANGEABLY INTO A FRAME MANUFACTURED BY ANOTHER FOUNDRY AND STILL MEET ALLOWABLE CLEARANCES AND NON-ROCKING REQUIREMENTS. THIS WILL REQUIRE MANUFACTURING OF THE MATCHING FACES ON THE COVER AND THE FRAME TO CLOSE TOLERANCES.

THE OUTSIDE CIRCUMFERENCE OF THE VERTICAL FACE OF THE COVER AND THE INSIDE CIRCUMFERENCE OF THE VERTICAL FACE IN THE FRAME RECESS SHALL BE MANUFACTURED TO TOLERANCES SUCH THAT THE CLEARANCE BETWEEN THE COVER AND FRAME WILL NOT EXCEED 1/8" AT ANY POINT AROUND THE CIRCUMFERENCE OF THE COVER. THE SEATING SURFACES BETWEEN THE COVER AND FRAME SHALL BE MACHINED SUCH AS THESE SURFACES SHALL MAKE FULL CONTACT FOR THEIR FULL CIRCUMFERENCE TO PRECLUDE THE COVER FROM ROCKING IN THE FRAME.

THE MANHOLE FRAME AND COVER SHALL BE MARKED WITH LETTERING INDICATING THE NAME OF THE MANUFACTURER AND THE YEAR WHEN THE COVER OR FRAME WAS CAST. THE COVER SHALL BE FURTHER IDENTIFIED WITH REGARDS TO OWNERSHIP USING LETTERS AT LEAST 1 INCH IN HEIGHT. THIS IDENTIFICATION SHALL BE "CITY OF WICHITA SEWER DEPARTMENT". THE WORD DEPARTMENT MAY BE ABBREVIATED. THE TEXTURE OF THE TOP SURFACE OF THE COVER SHALL BE MANUFACTURED IN A CHECKERED PATTERN DESIGN AS INDICATED ON THE DRAWINGS. SMOOTH BLOCKOUTS SHALL BE UTILIZED TO HIGHLIGHT THE LETTERING ON THE COVER SURFACE. THE TOTAL AREA OF SMOOTH SURFACE BLOCKOUT SHALL NOT EXCEED THE AREA AS INDICATED ON THE DRAWING. POSITIONING OF SMOOTH BLOCKOUTS AND LETTERING MAY VARY FROM THAT SHOWN ON THE DETAILED DRAWING.

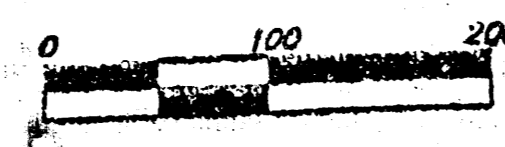
MANHOLE FRAME AND COVER DETAIL			
ADOPTED AS STANDARD DESIGN BY CITY OF WICHITA, KANSAS			
BAUGHMAN COMPANY P.A. ENGINEERING, SURVEYING, & PLANNING 316-264-7271 • 315 ELLIS • WICHITA, KANSAS 67211			
PROJECT NUMBER 1028 FPS (607861)			SHEET 4
DESIGN STAFF	DRAWN STAFF	APPROVED	DATE 05/01
		SCALE NONE	5

CHURCH OF THE MAGDALEN ADDITION

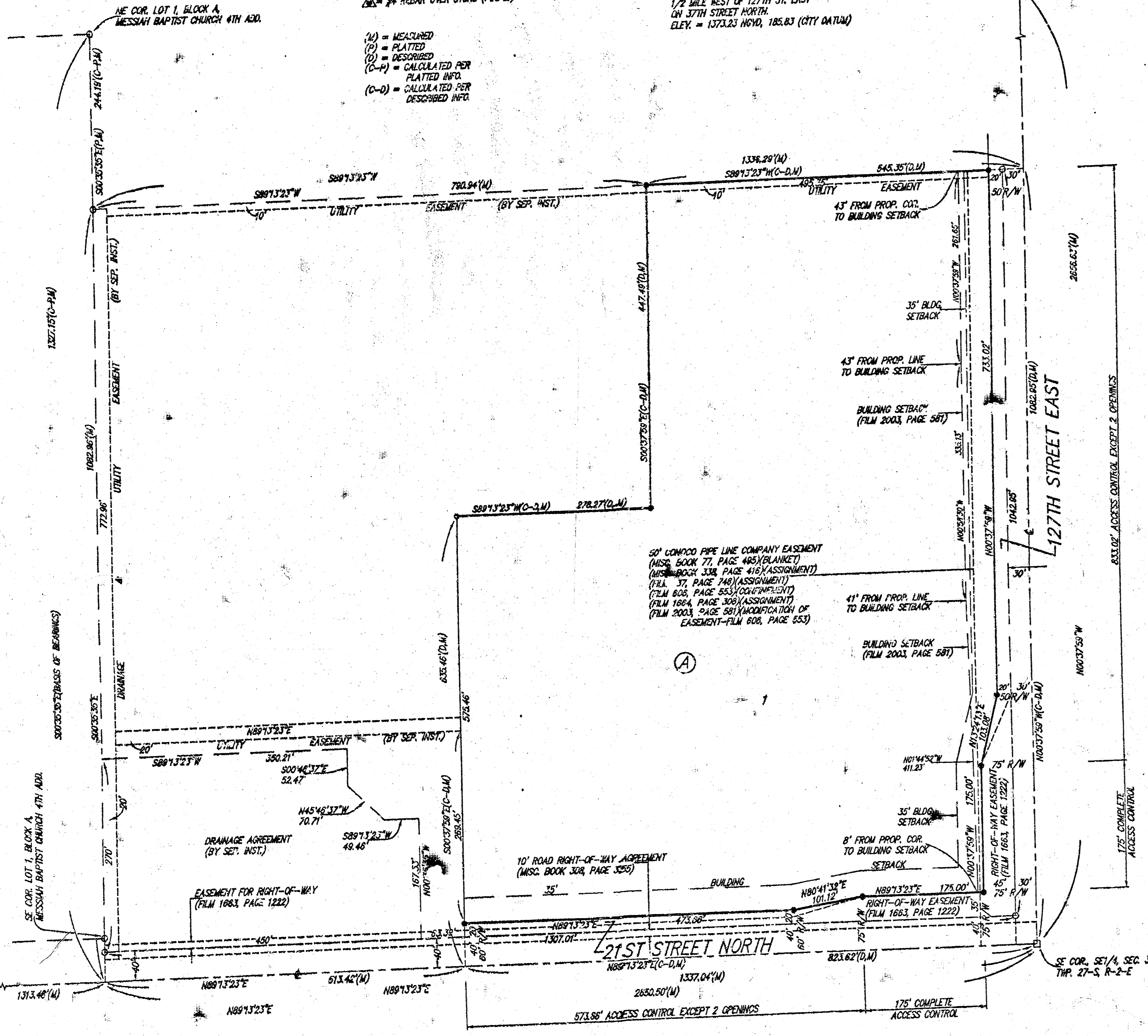
WICHITA, SEDGWICK COUNTY, KANSAS

LOT	BLOCK	ELEVATION CITY DATUM 1985
1	A	185.6 (1373.0)

NOTE: A DRAINAGE PLAN HAS BEEN DEVELOPED FOR THIS ADDITION AND IS ON FILE WITH THE CITY OF WICHITA, KANSAS. DRAINAGE IN GUTS SHALL REMAIN AS DEPICTED ON AS SHOWN WITH THE APPROVAL OF THE CITY ENGINEER OF THE CITY OF WICHITA, KANSAS. NO OBSTRUCTIONS WHICH WOULD IMPED THE FLOW OF THIS DRAINAGE PLAN SHALL BE ALLOWED.



- = #4 REBAR W/ "BAUGHMAN" CAP (SET)
 - = #4 REBAR W/ "BAUGHMAN" CAP (FOUND)
 - = 3/4" IRON (FOUND)
 - △ = #6 REBAR W/ "TORNY" CAP (FOUND)
 - ◇ = #4 REBAR OVER STONE (FOUND)
- (M) = MEASURED
 (P) = PLATTED
 (D) = DESCRIBED
 (C-P) = CALCULATED FOR PLATTED INFO
 (C-D) = CALCULATED FOR DESCRIBED INFO



State of Kansas) SS We, Baughman Company, P.A., Surveyors in Sedgwick County and state do hereby certify that we have surveyed and plotted "CHURCH OF THE MAGDALEN ADDITION", Wichita, Sedgwick County, Kansas and that the accompanying plat is a true and correct exhibit of the property surveyed, described as beginning at the SE corner of the SE 1/4 of Sec. 3, Twp. 27-S, R-2-E of the 6th P.M., Sedgwick County, Kansas; thence north along the east line of said SE 1/4, 1082.95 feet; thence west parallel with the south line of said SE 1/4, 545.35 feet; thence south parallel with the east line of said SE 1/4, 447.49 feet; thence west parallel with the south line of said SE 1/4, 278.27 feet; thence south parallel with the east line of said SE 1/4, 635.46 feet to a point on the south line of said SE 1/4; thence east along the south line of said SE 1/4, 823.62 feet to the point of beginning, subject to road rights-of-way over the south 40.00 feet and the east 30.00 feet thereof.

Existing easements and dedications being vacated by virtue of K.S.A. 12-512(b).
 Baughman Company, P.A.

Michael G. Conroy, Surveyor
 Michael G. Conroy

Know all men by these presents that we, the undersigned, have caused the land in the surveyors certificate to be platted into a Lot, a Block, and Streets, to be known as "CHURCH OF THE MAGDALEN ADDITION", Wichita, Sedgwick County, Kansas. The utility easement is hereby granted as indicated for the construction and maintenance of all public utilities. The streets are hereby dedicated to and for the use of the public. Access controls shall be as depicted on the face of the plat and are hereby granted to the City of Wichita, Kansas. The permitted opening locations shall be as determined by the City Engineer of the City of Wichita, Kansas. The Minimum Building Pad Elevations for the lowest opening to the structures on Lot 1, Block A, shall be 185.6 City Datum, (1373.0 NGVD).

The Catholic Diocese of Wichita

John P. Lanzetta, Notary Public
 John P. Lanzetta

State of Kansas) SS The foregoing instrument acknowledged before me, this 14th day of November, 2000, by John P. Lanzetta, Notary Public, of The Catholic Diocese of Wichita, on behalf of the Diocese.

Karl H. Hesse, Notary Public
 Karl H. Hesse

My App'l. Exp. 6/29/2003

This plat of "CHURCH OF THE MAGDALEN ADDITION", Wichita, Sedgwick County, Kansas has been submitted to and approved by the Wichita-Sedgwick County Metropolitan Area Planning Commission, Wichita, Kansas. Dated this 17th day of October, 2000. Wichita-Sedgwick County Metropolitan Area Planning Commission

Francis S. Garofalo, Chairman
 Francis S. Garofalo

Marvin S. Krout, Secretary
 Marvin S. Krout

This plat approved and all dedications shown hereon accepted by the City Council of the City of Wichita, Kansas, this 21st day of February, 2001.

Bob Knight, Mayor
 Bob Knight

Pat Burnett, City Clerk
 Pat Burnett

Reviewed in accordance with K.S.A. 58-2005 this 28th day of November, 2000.

Tricia L. Robello, L.S. #1246, Deputy County Surveyor
 Tricia L. Robello

Entered on transfer record this 5th day of March, 2001.

Don Brace, County Clerk
 Don Brace

State of Kansas) SS This is to certify that this plat has been filed for record in the office of the Register of Deeds, this 5th day of March, 2001 at 3:00 o'clock P.M.; and is duly recorded.

Bill Meek, Register of Deeds
 Bill Meek

Linda Kline, Deputy
 Linda Kline

#1953736

NOTE: THE FOLLOWING INSTRUMENT IS IN THE PROCESS OF BEING RELEASED THIS 14th DAY OF OCTOBER, 2000. TELEPHONE AND TELEGRAPH EASEMENTS TO BE RELEASED.

BAUGHMAN COMPANY P.A.
 80 14 01 08