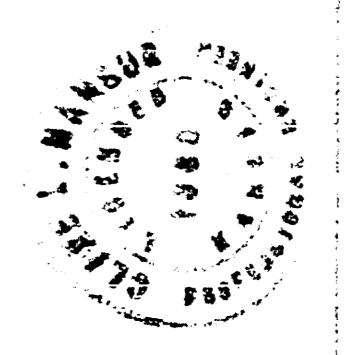
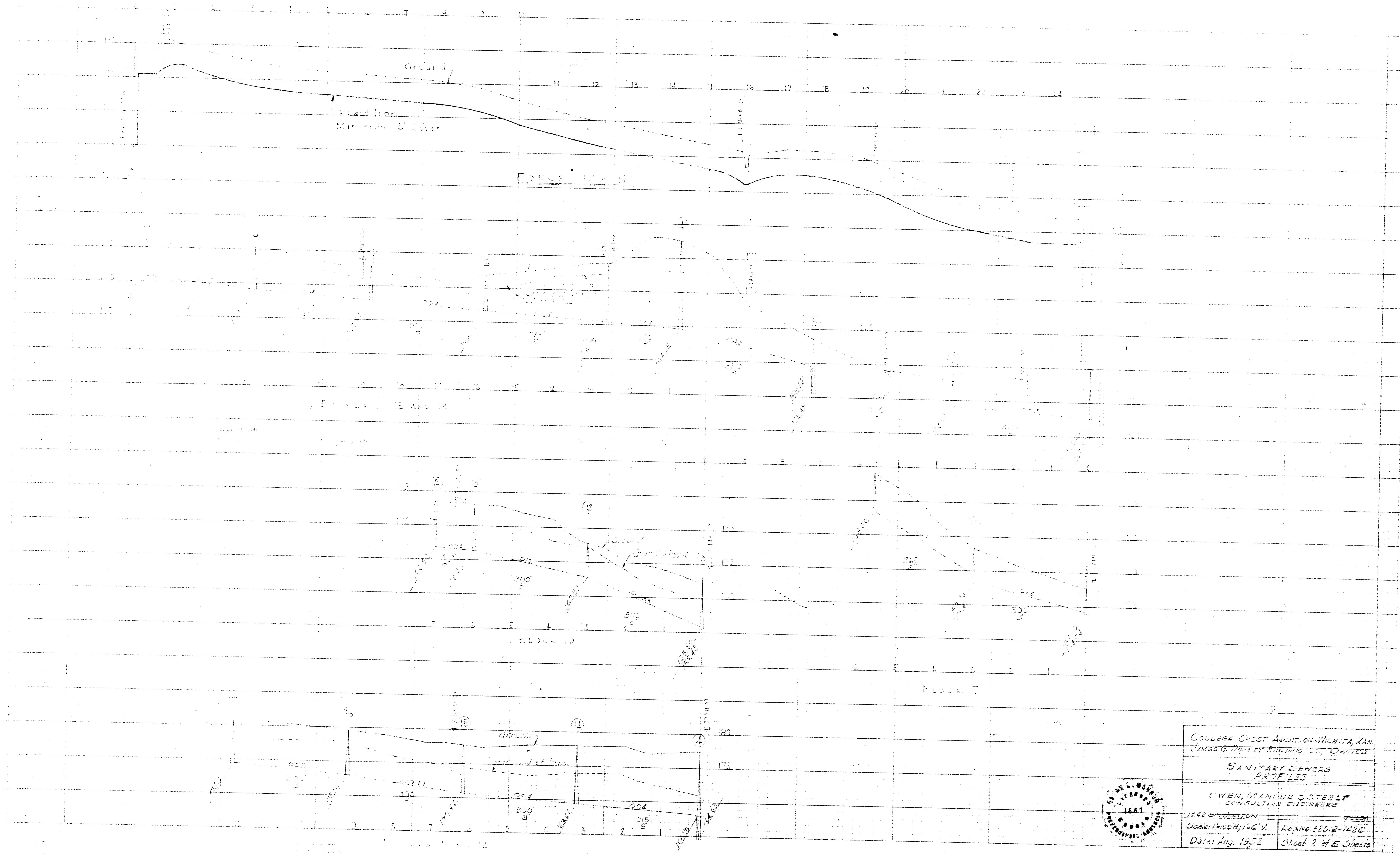


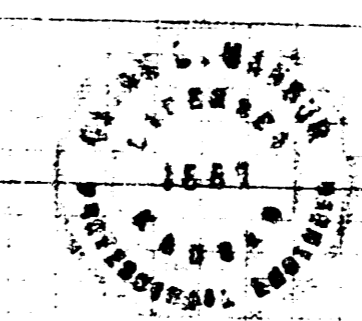
NOTE:
 THIS PROJECT SERVES 80 HOUSES
 TO BE LOCATED IN BLOCKS 7, 9, 10, 11, 13, 14
 CONTOUR INTERVAL 1 FT TOPOGRAPHY
 FURNISHED BY G.V. NEWELL

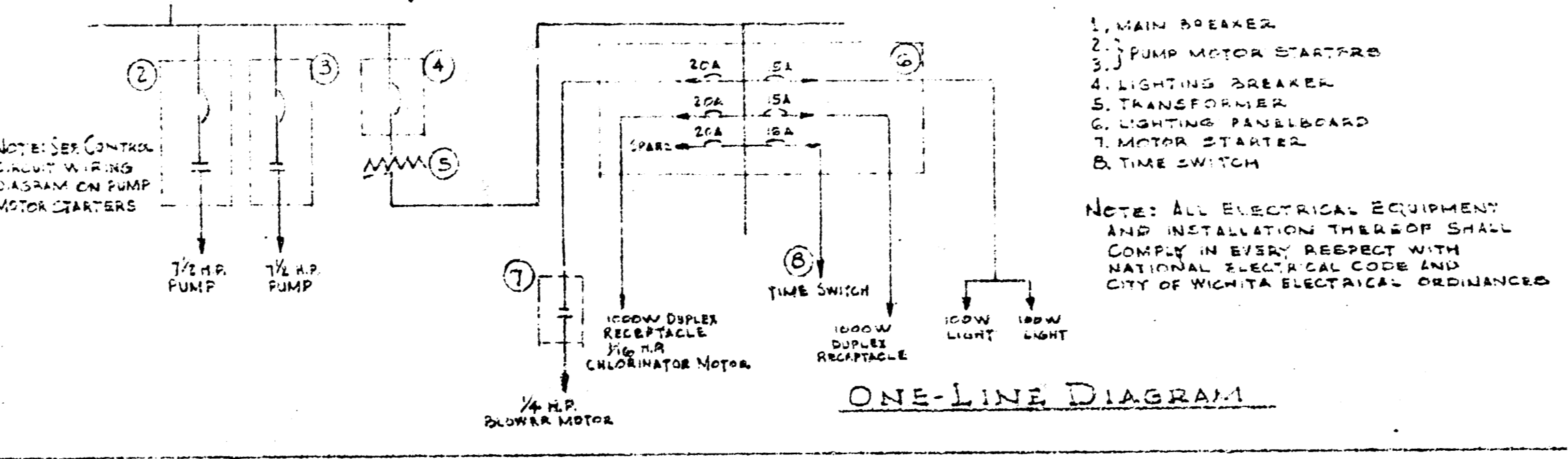
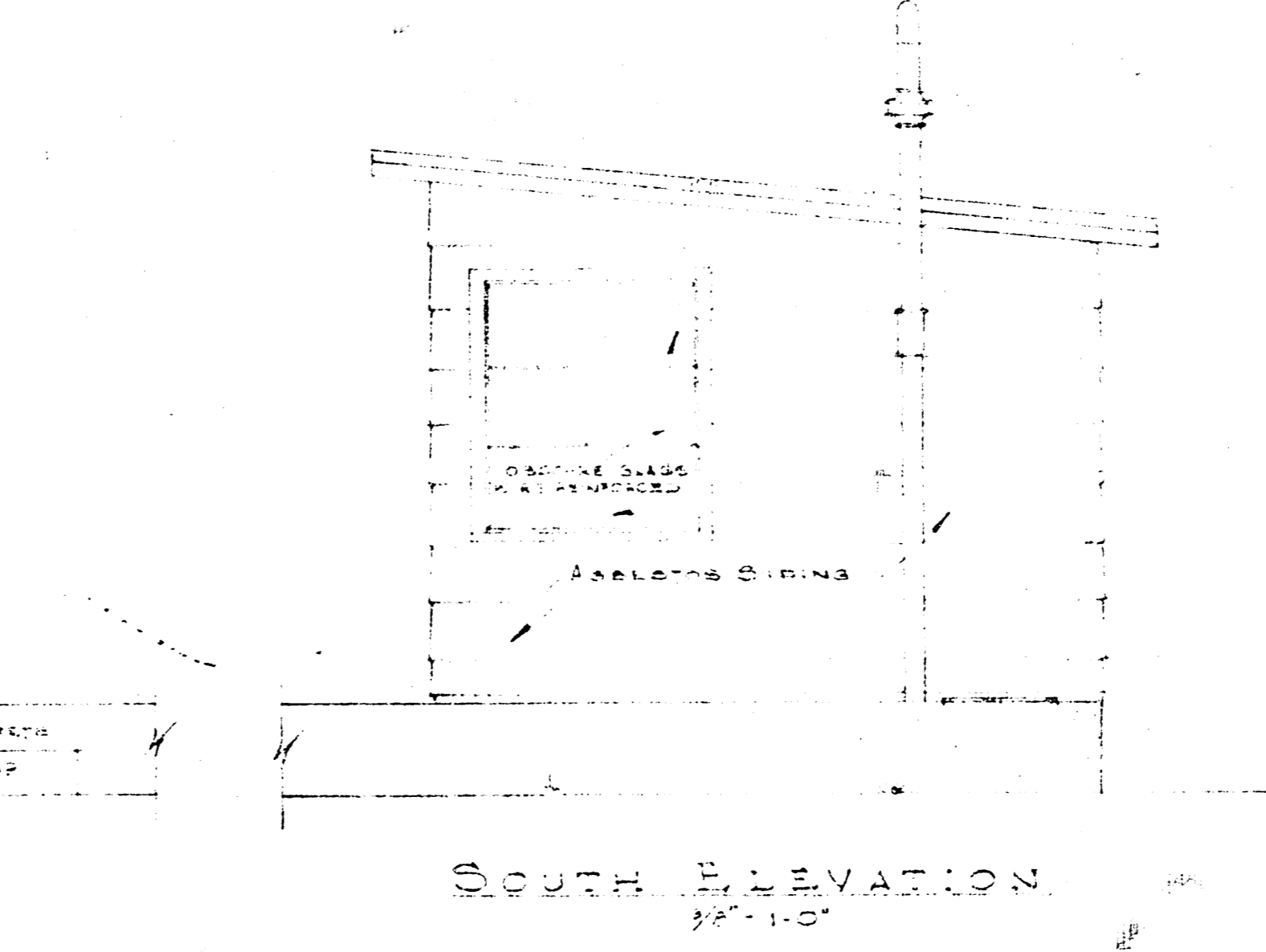
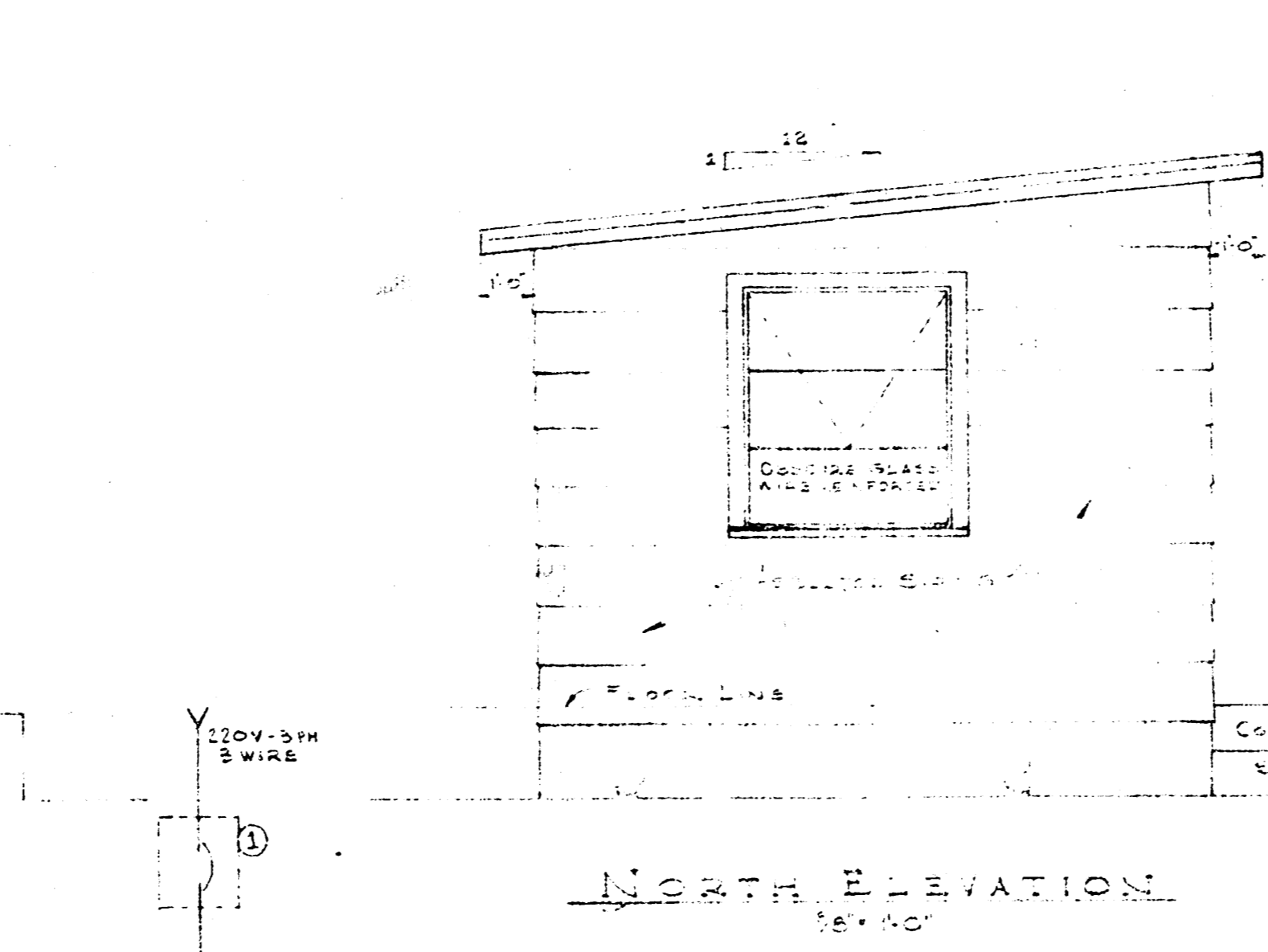
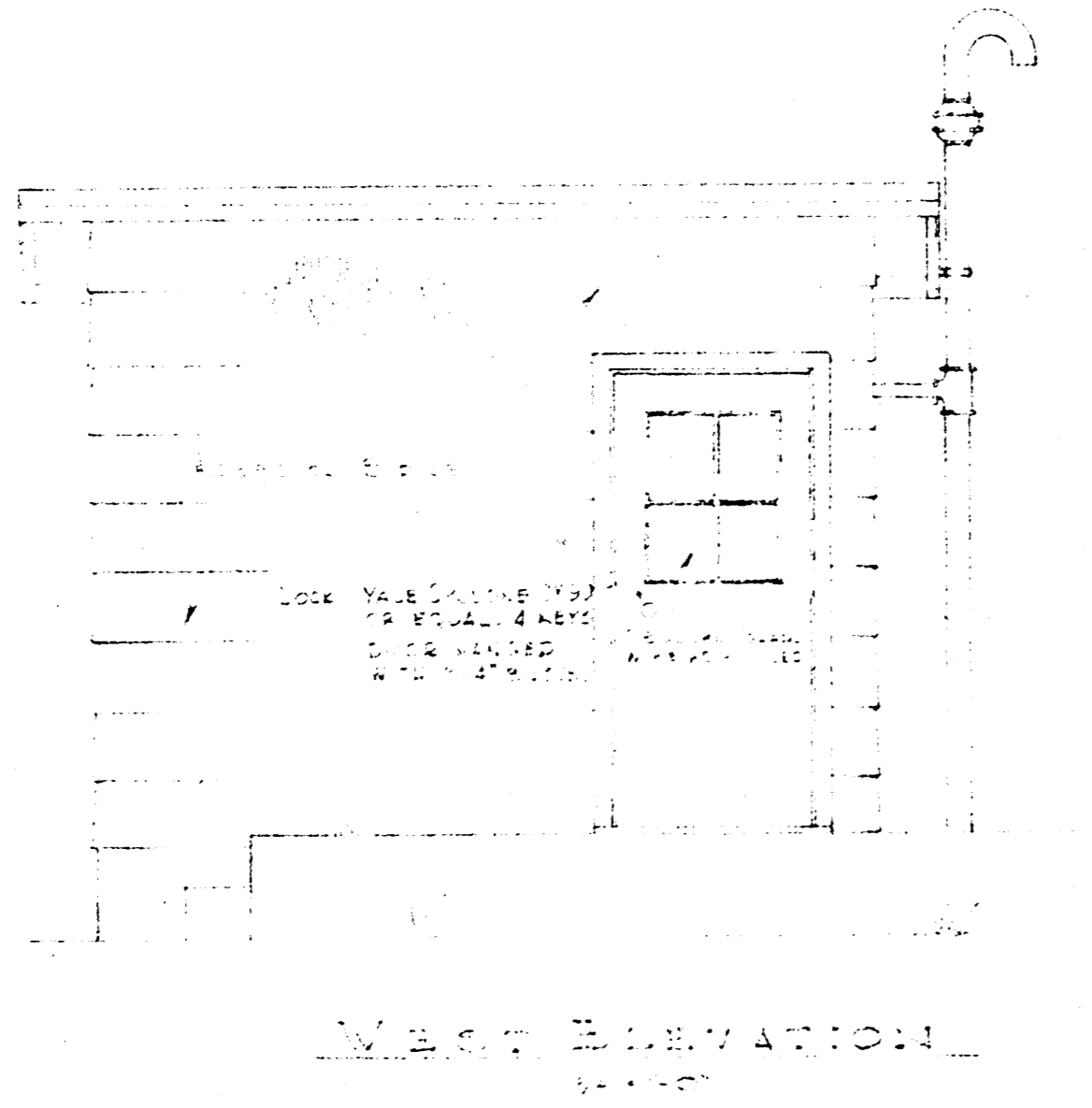
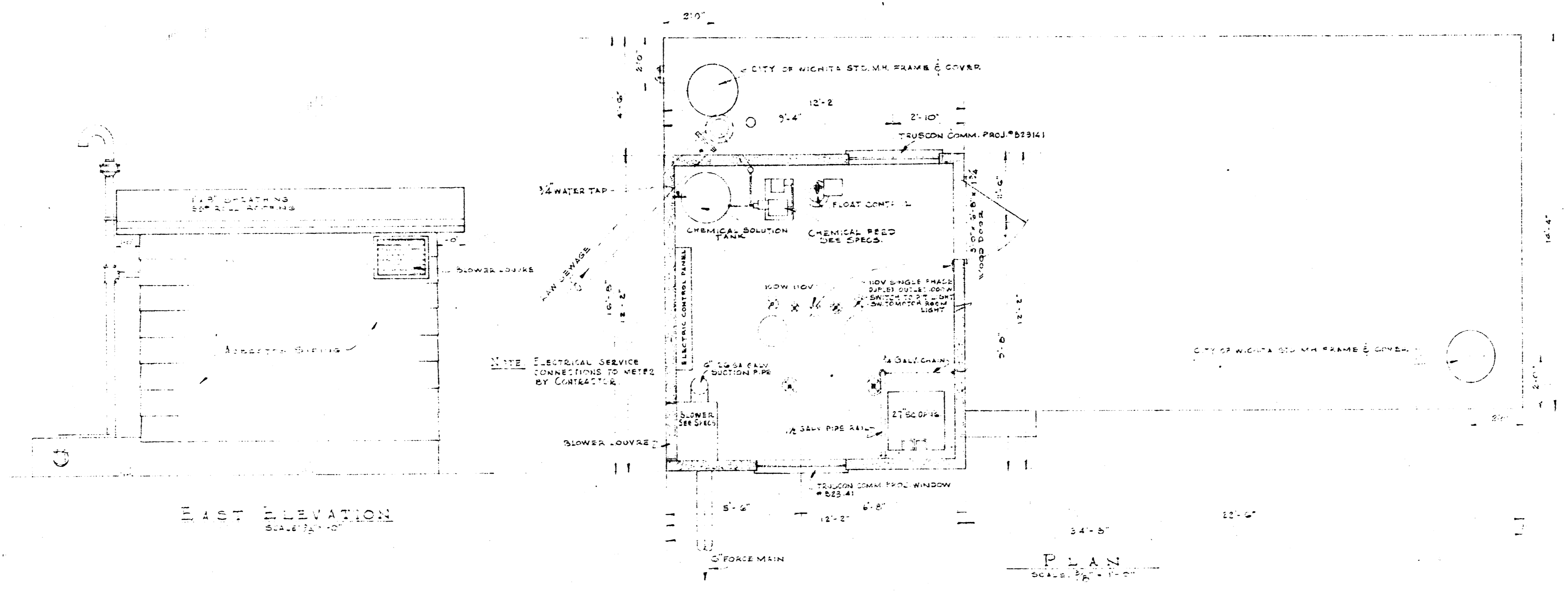


COLLEGE CREEK ADDITION-WICHITA, KAN.
 JAMES G. DESSEY BUILDING CO., - OWNER
 SANITARY SEWERS
 PLAN AND TOPOGRAPHY
 OWEN MANSUR & STEELE
 CONSULTING ENGINEERS
 1645 S.C. BOSTON
 Scale: 1"=100' Reg. No. 35212-1435
 Date: Aug. 1955 Sheet 1 of 5 Sheets



COLLEGE CREST ADDITION-WICHITA, KAN.
 JAMES G. DORSEY BUILDING CO. OWNERS
**SANITARY SEWERS
 PROFILES**
 OWEN, MANTON & STEEL
 CONSULTING ENGINEERS
 1642 BR. BOSTON
 Scale: 1"=30' HORIZ. V. 1"=4' V.
 Date: Aug. 1955 Sheet 2 of 5 Sheets

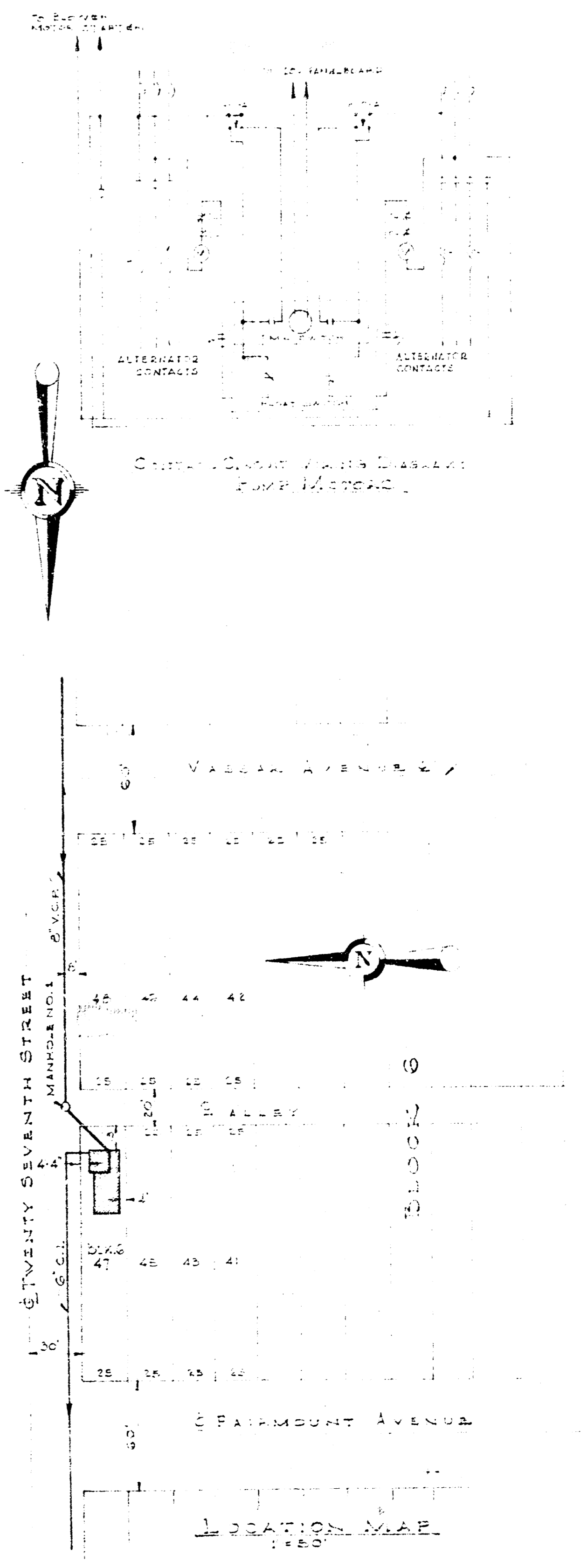




1. MAIN BREAKER
 2. PUMP MOTOR STARTERS
 3. LIGHTING BREAKER & TRANSFORMER
 4. LIGHTING PANELBOARD
 5. MOTOR STARTER
 6. TIME SWITCH

NOTE: ALL ELECTRICAL EQUIPMENT AND INSTALLATION THEREOF SHALL COMPLY IN EVERY RESPECT WITH NATIONAL ELECTRICAL CODE AND CITY OF WICHITA ELECTRICAL ORDINANCES

NOTE: ALL EXTERIOR ENCASEMENTS AND CEILING WINDOWS & COATS APPROVED WHITE PAINT



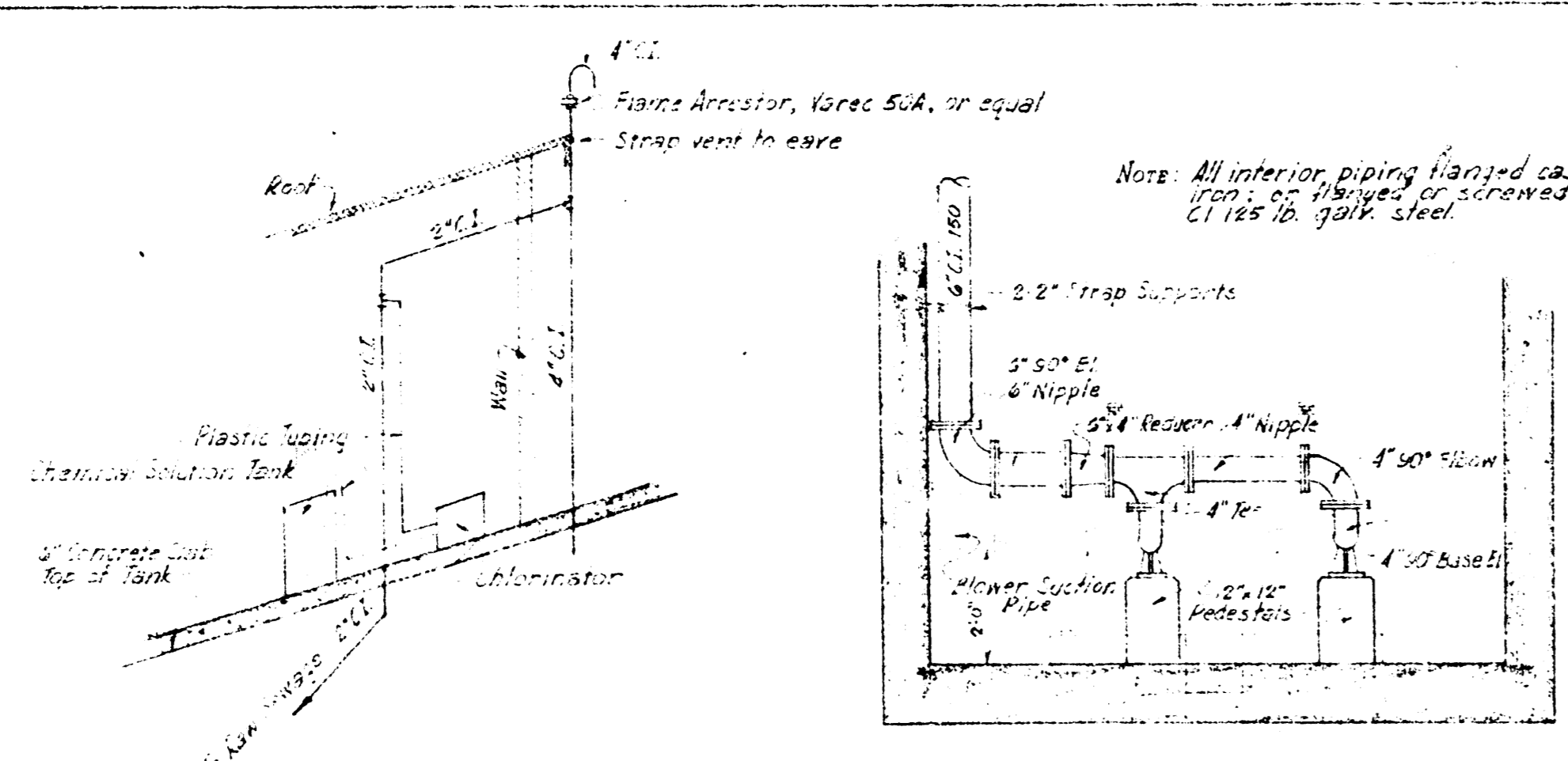
COLLIER CREST ADDITION-WICHITA, KAN.
JAMES C. DISSEY BUILDING CO., OWNER

SANITARY SEWER PUMP STATION & COMBINATION TANK
PLAN & ELEVATIONS

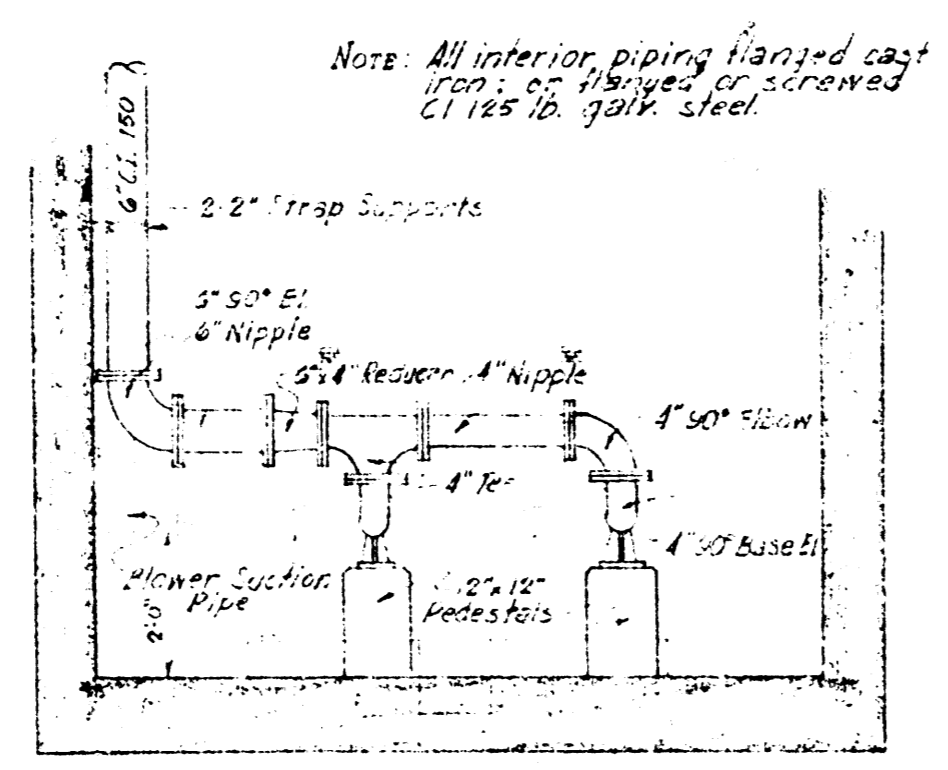
OWEN, MANSUR & STEELE
CONSULTING ENGINEERS

1642 SO. BOSTON TULSA
 SCALE: AS NOTED RES. No. 520-D-1427
 DATE: SEPT. 1952 SHEET 3 OF 5 SHEETS

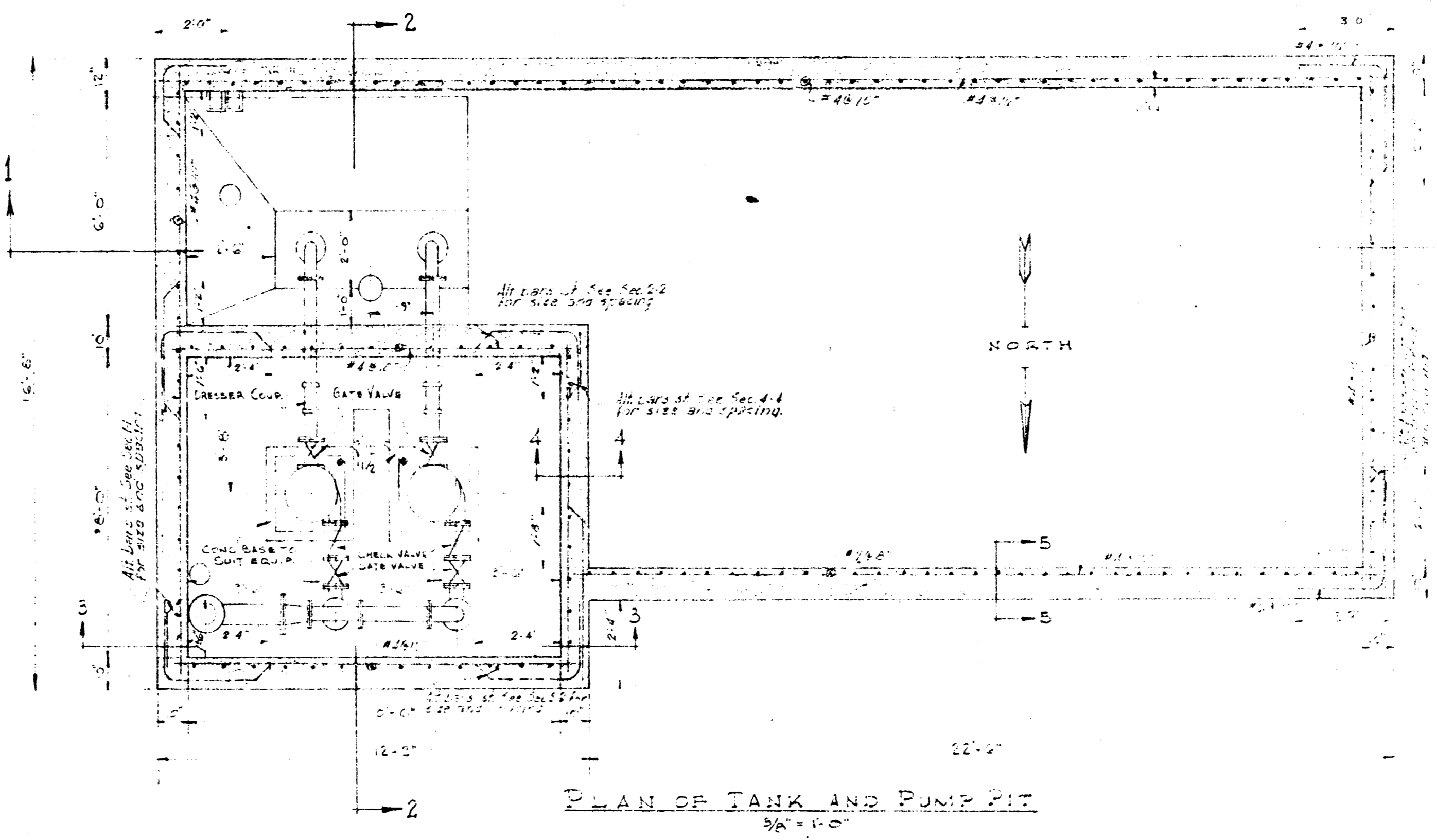




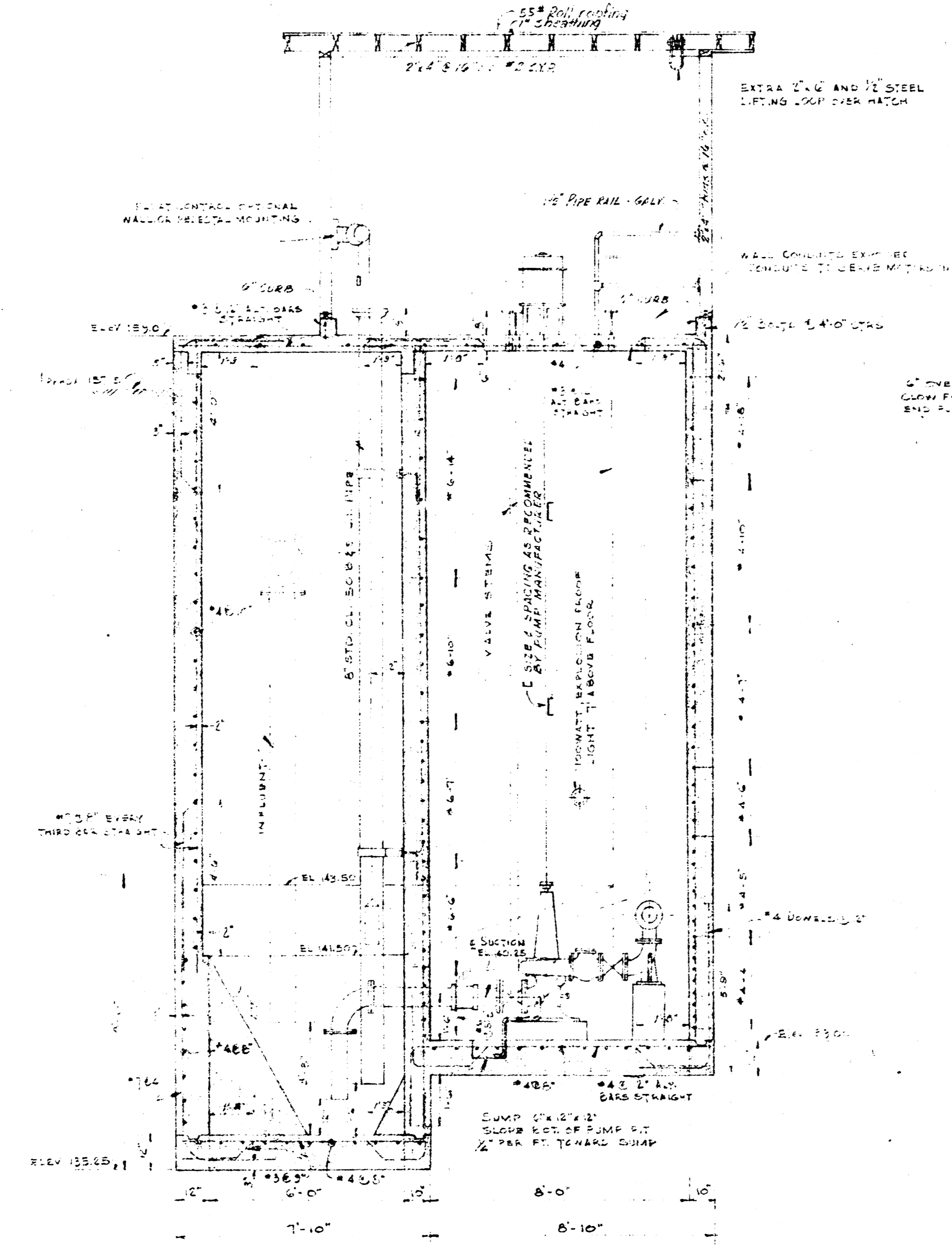
SCHEMATIC PIPING DIAGRAM
SHOWING CONNECTIONS TO INLET AND VENTING OF TANK



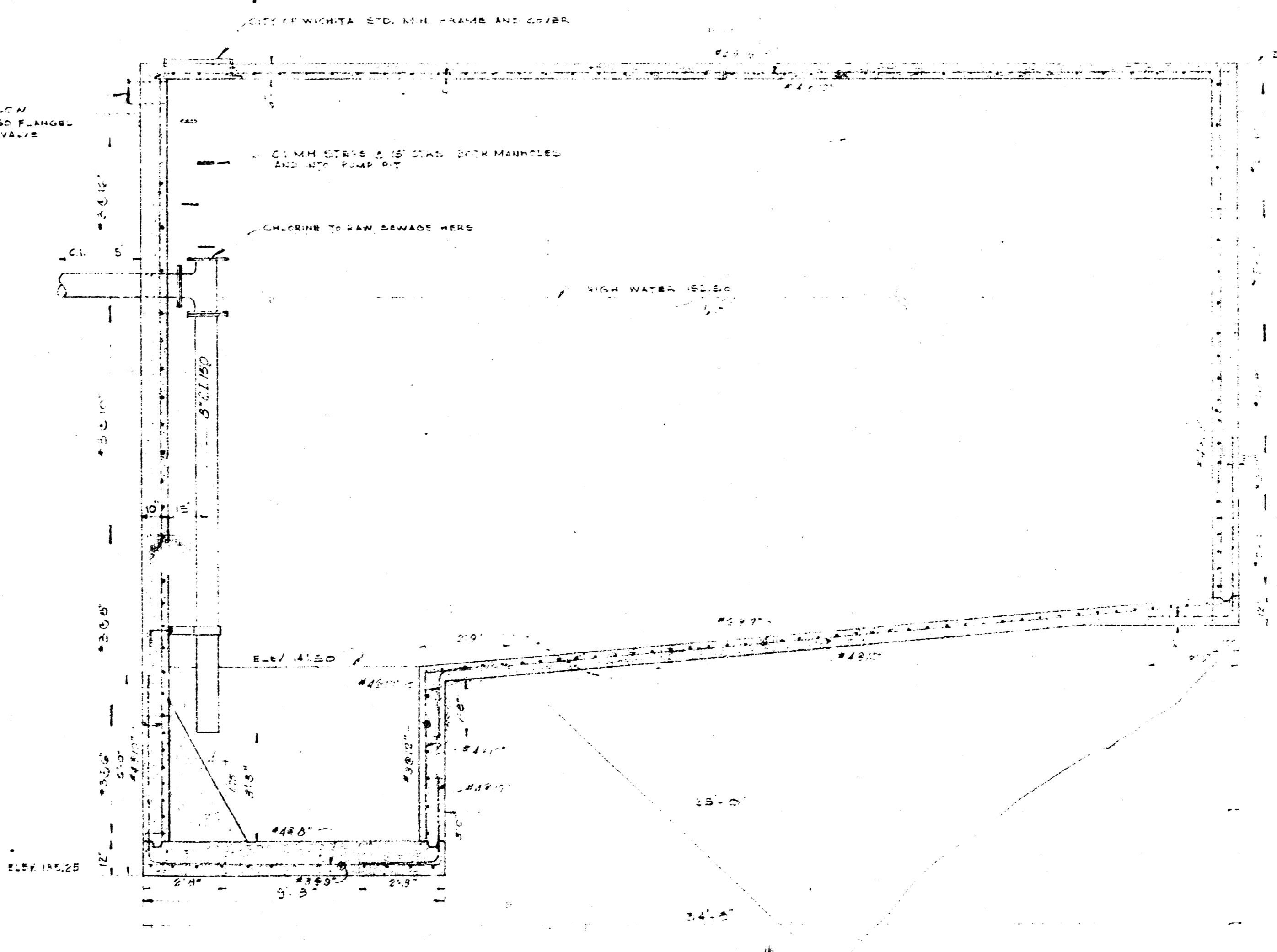
SECTION 3-3
1/8" = 1'-0"



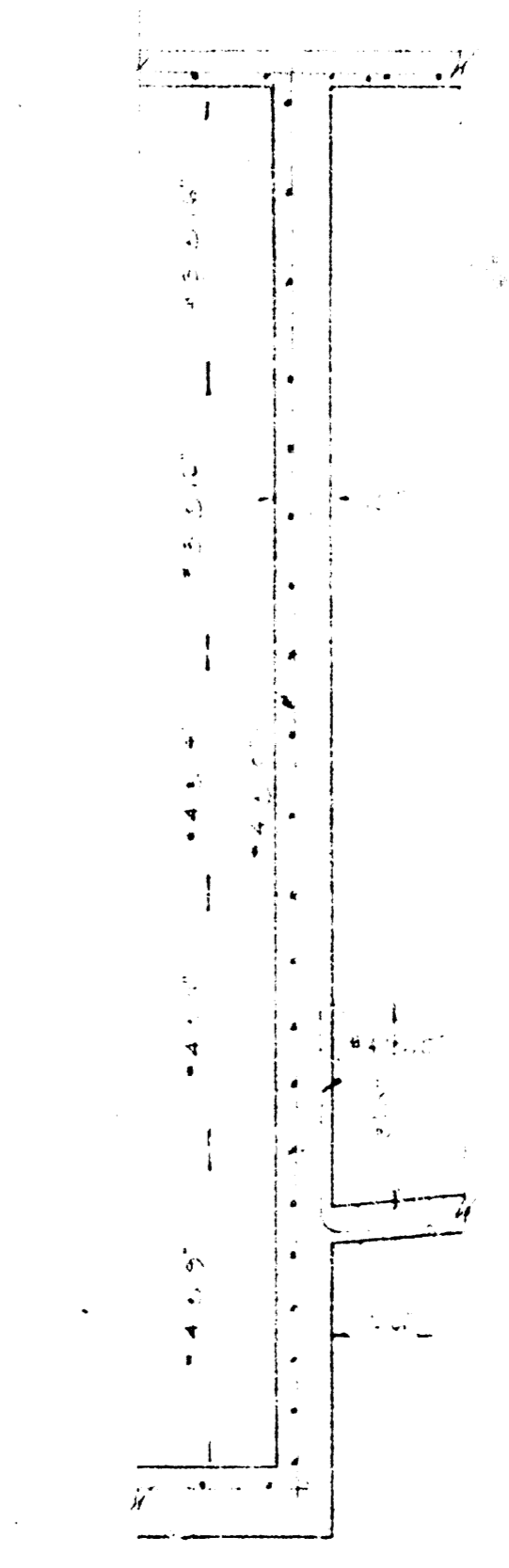
PLAN OF TANK AND PUMP PIT
3/8" = 1'-0"



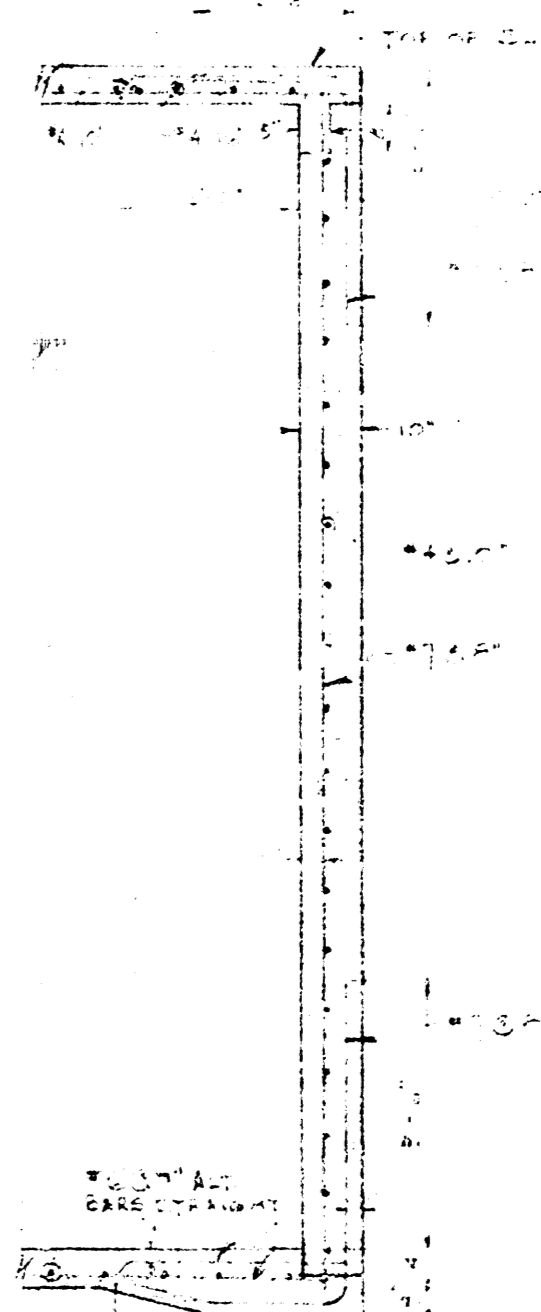
SECTION 2-2
1/8" = 1'-0"



SECTION 1-1
1/8" = 1'-0"

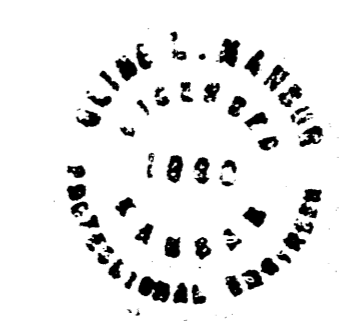


SECTION 4-1
1/8" = 1'-0"

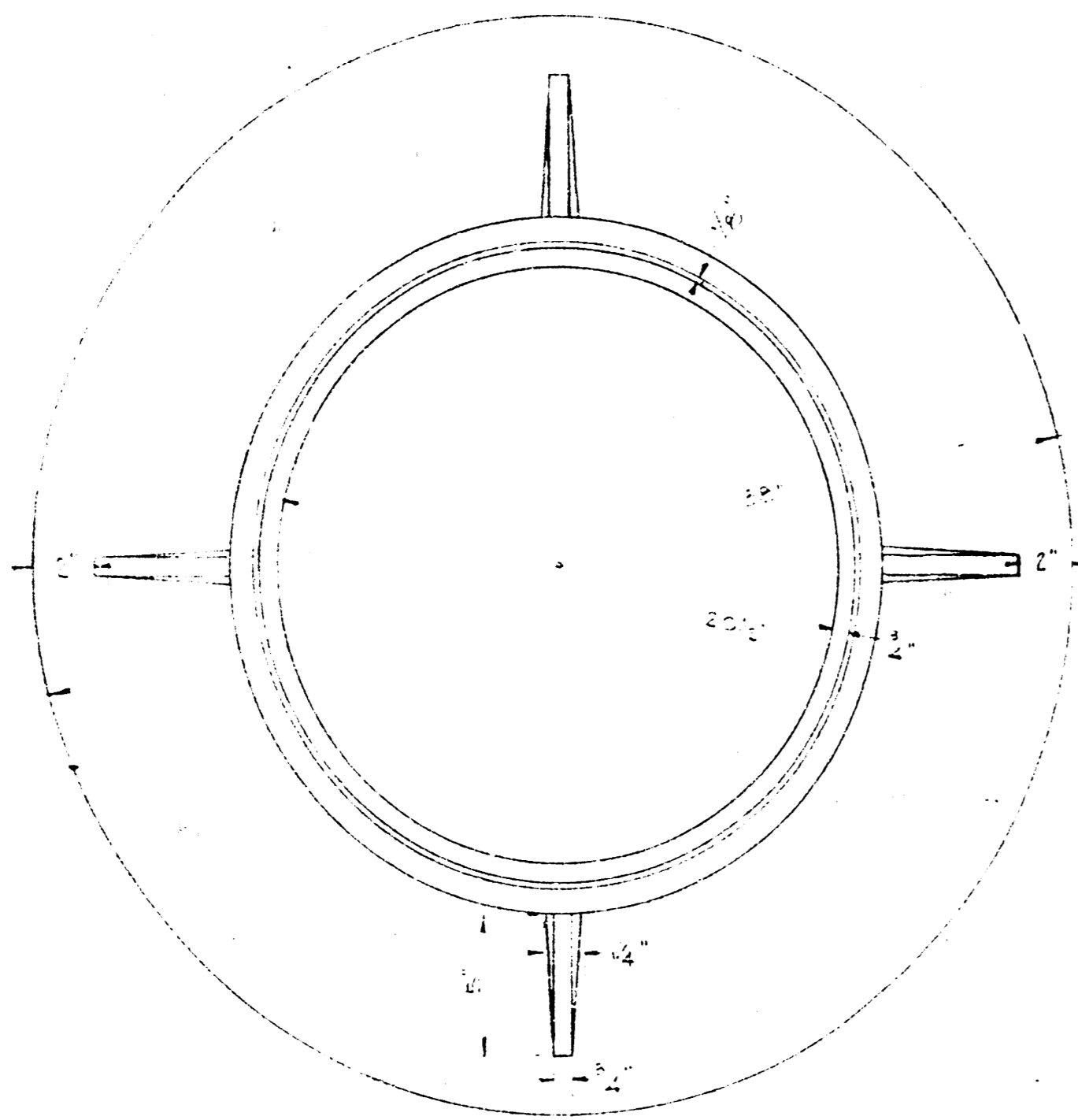


SECTION 5-5
1/8" = 1'-0"

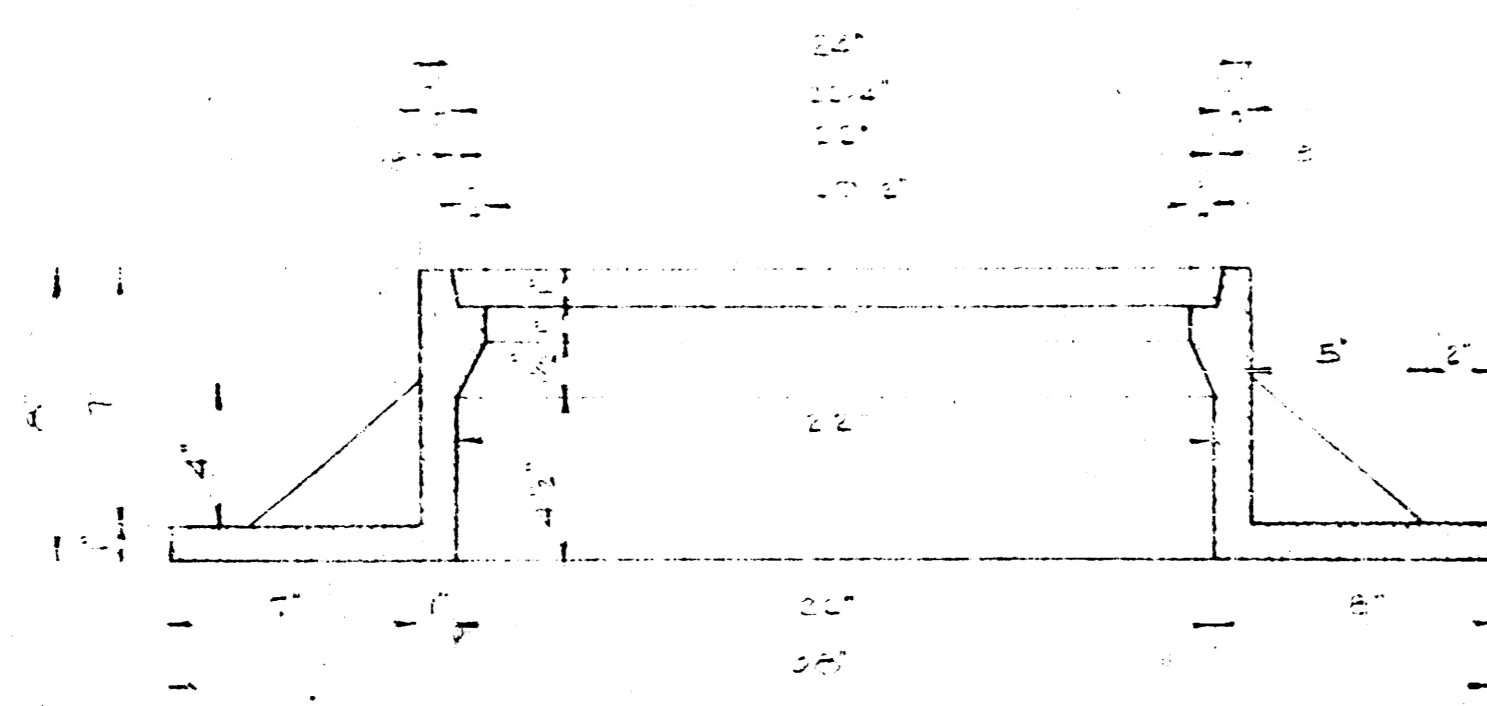
COLLEGE CREST STATION, WICHITA, KAN.
 JAMES G. DOUGLAS BUILDING CO., OWNER
 SANITARY SEWER
 PUMP STATION'S DISTRIBUTION TANK
 PLAN & SECTIONS
 OWEN McLEBUR FORTLER
 CONSULTING ENGINEER
 OFFICE - BOSTON
 SCALE AS NOTED
 DATE SEPT 1922



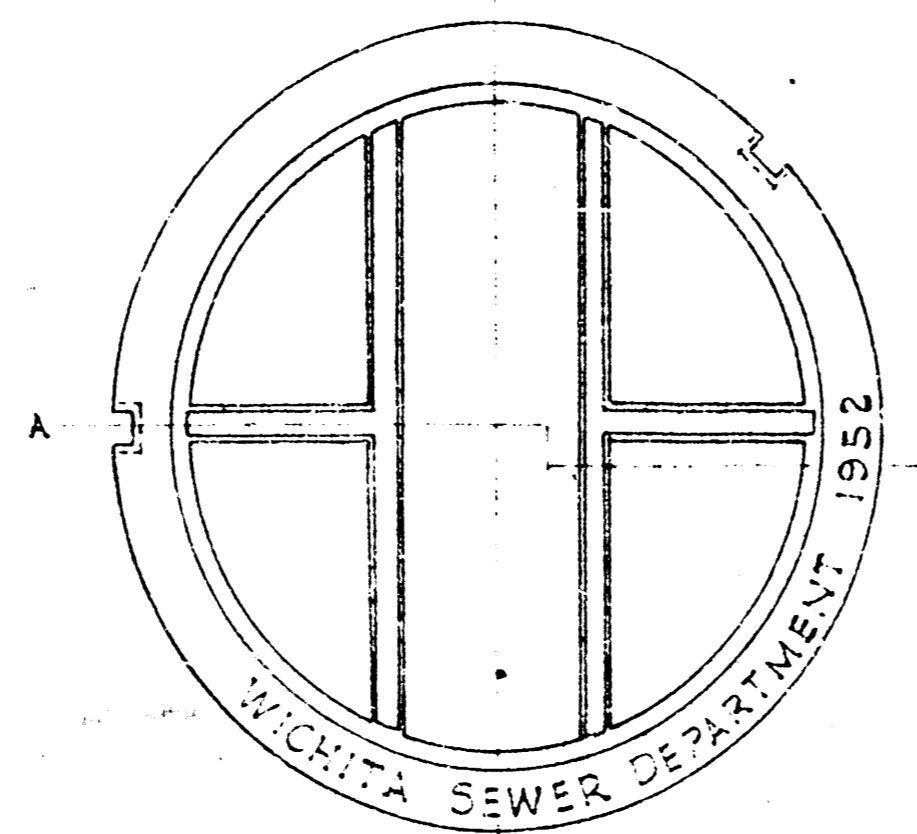
PLANS 4 OF 5 SHEETS



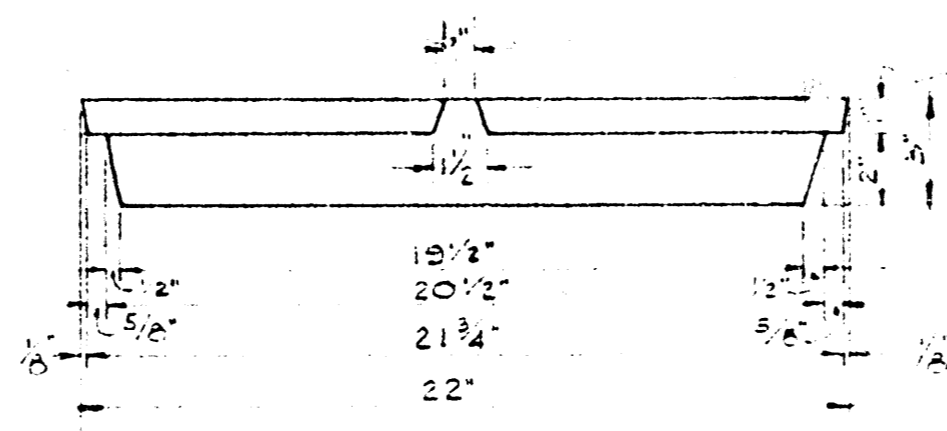
TOP VIEW OR PLAN OF MANHOLE RING
1/2" = 1'-0"



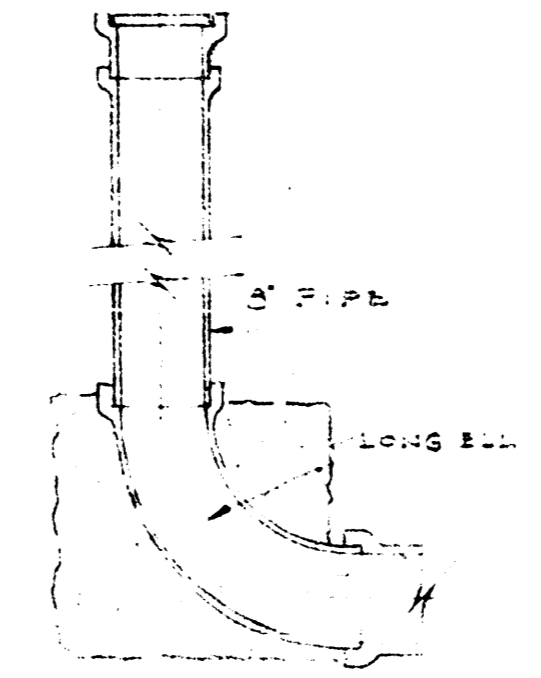
VERTICAL CROSS SECTION OF MANHOLE RING
1/2" = 1'-0"



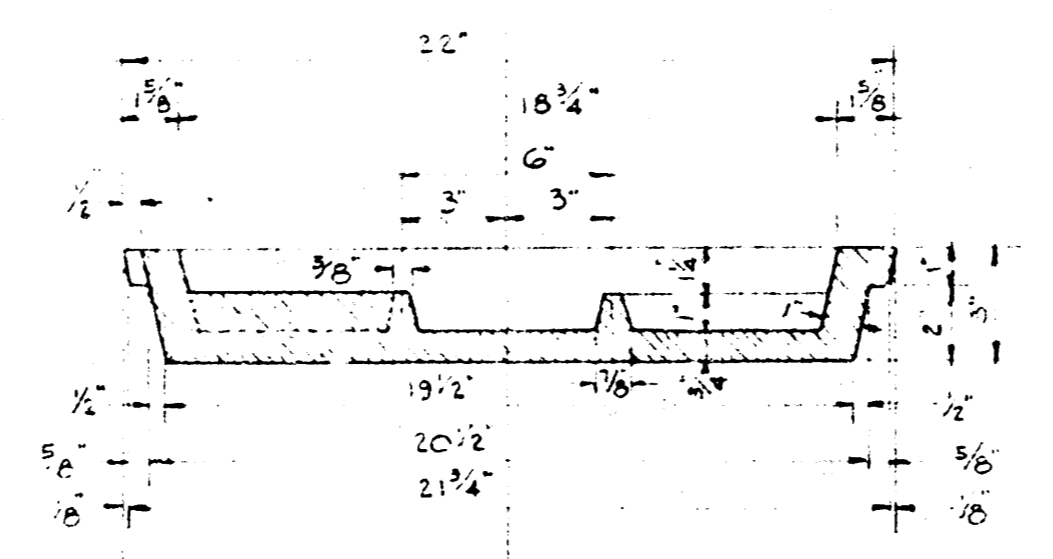
TOP VIEW OR PLAN OF MANHOLE COVER
DATE TO BE CHANGED TO CORRESPOND WITH CURRENT YEAR
1/2" = 1'-0"



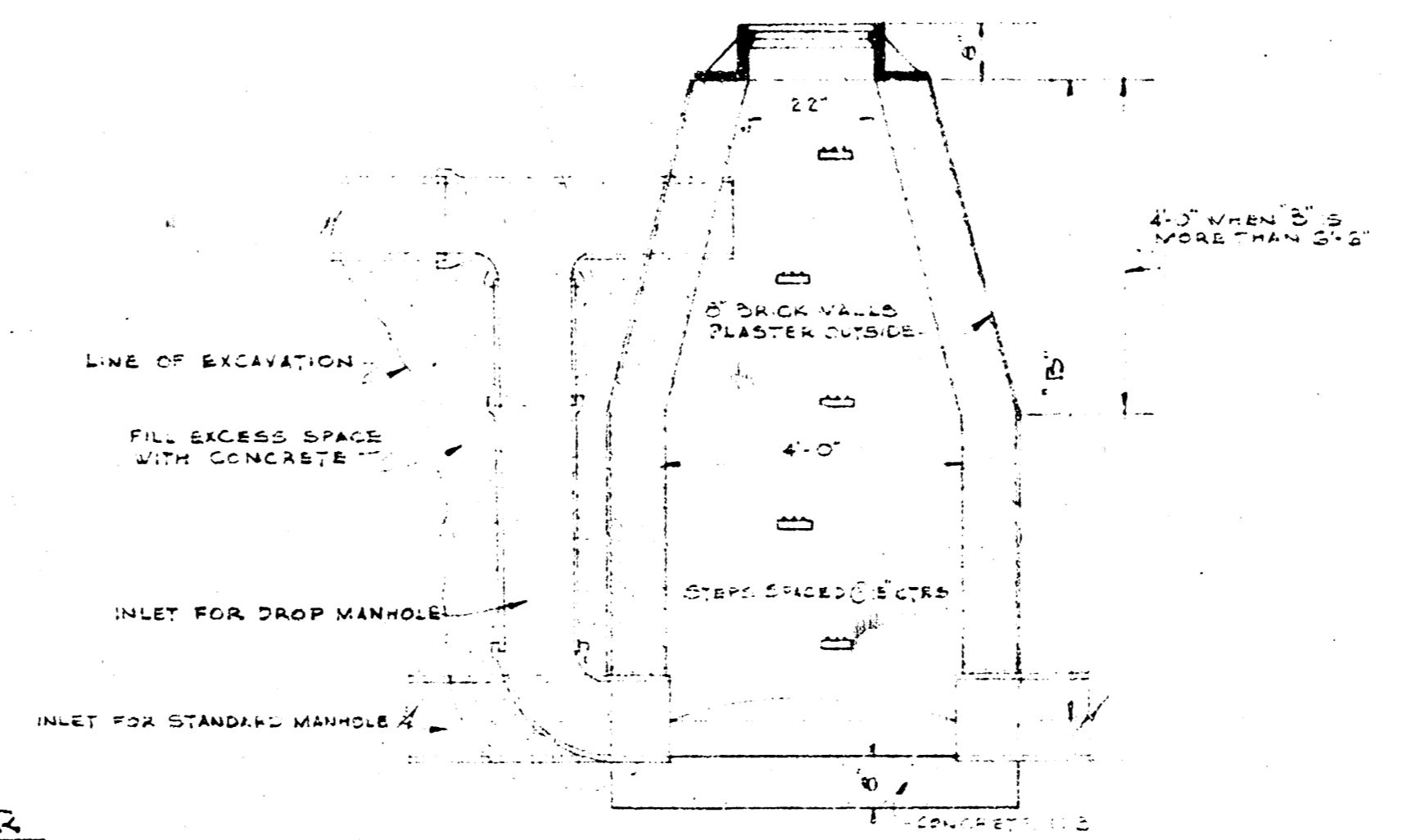
SIDE VIEW OR ELEVATION OF MANHOLE COVER
SHOWING DIMENSIONS OF LIFTING MECHANISM
1/2" = 1'-0"



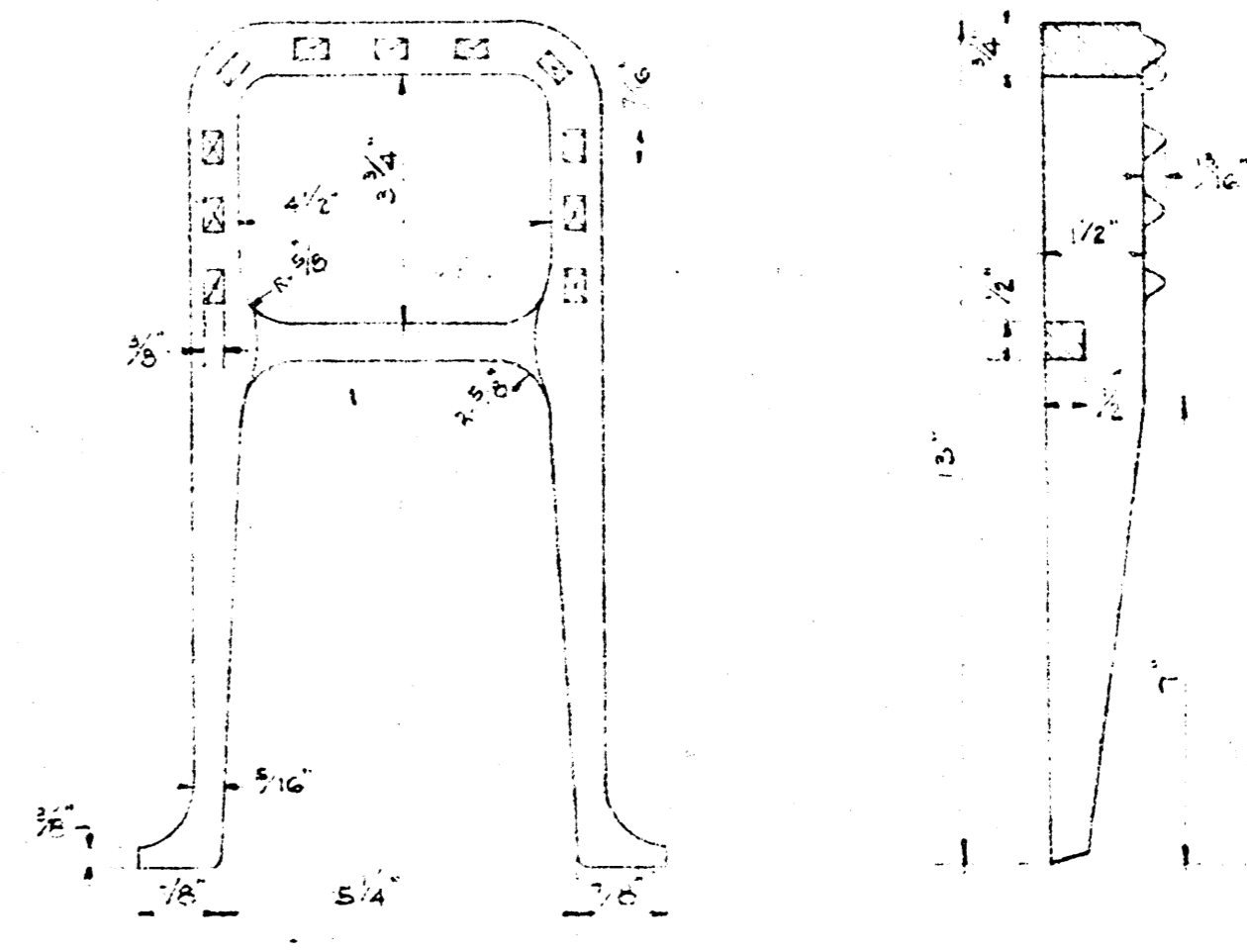
LAMP HOLE DETAIL



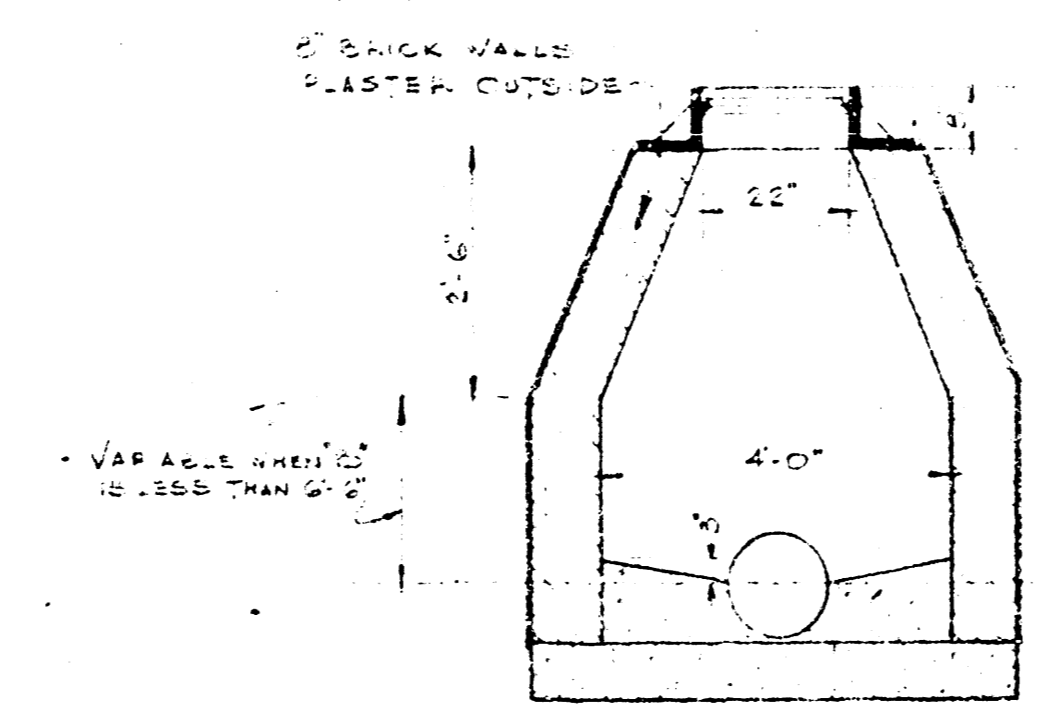
VERTICAL CROSS SECTION 'A-A' OF COVER
SHOWING DEPTH OF LIFTING NOTCH
COVER TO BE FILLED FLUSH WITH ASPHALT
1/2" = 1'-0"



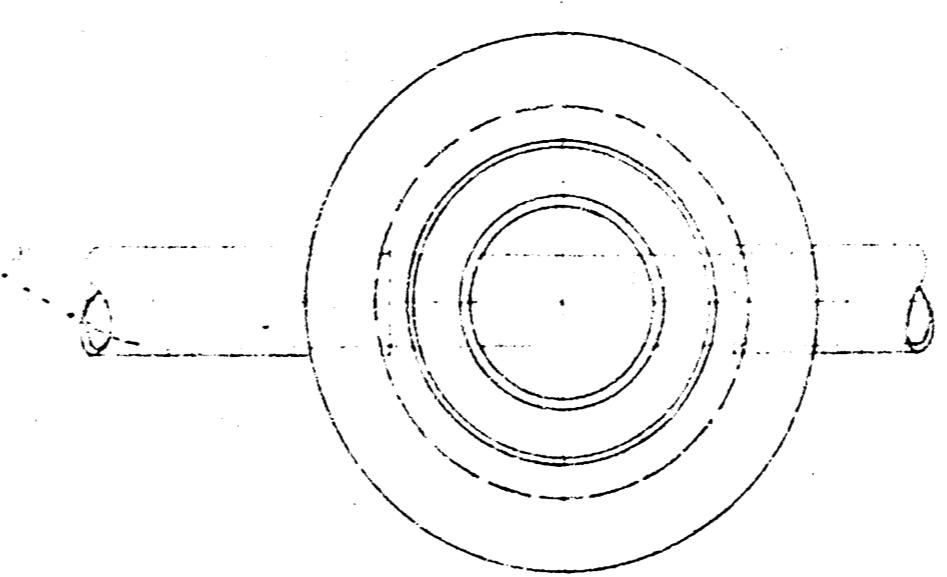
SECTION



MANHOLE STEP



SECTION



PLAN

STANDARD AND DROP MANHOLES

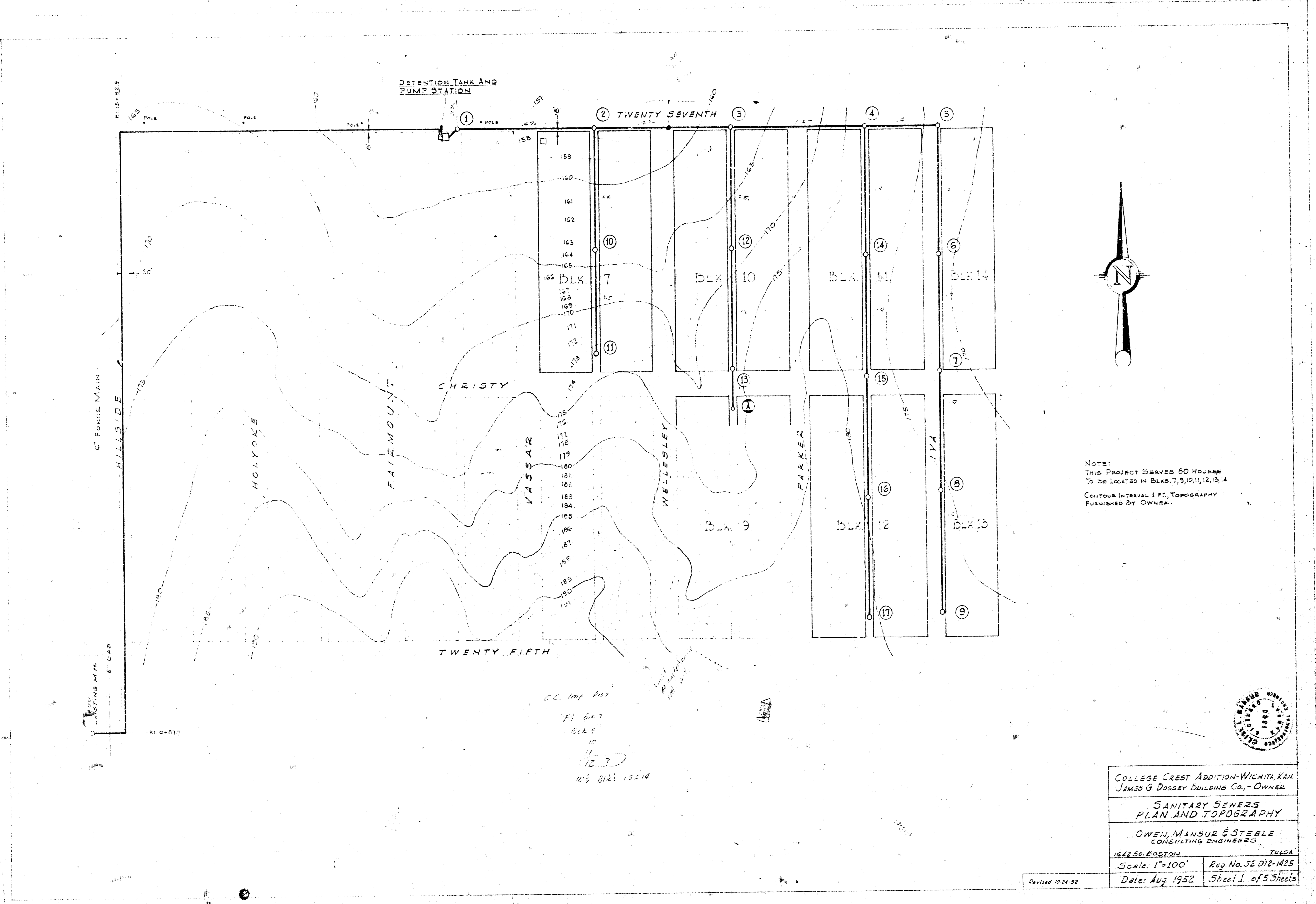
COLLEGE CREST ADDITION-WICHITA, KAN.
JAMES G. JOSSEY BUILDING CO., - OWNER

SANITARY SEWERS
DETAILS

OWEN, MANSUR & STEELE
CONSULTING ENGINEERS

1432 SO. BOSTON
SCALE: AS NOTED REG. NO. 52012-1429
DATE: SEPT. 1952 SHEET 5 OF 5 SHEETS





NOTE:
 THIS PROJECT SERVES 80 HOUSES
 TO BE LOCATED IN BLKS. 7,9,10,11,12,13,14
 CONTOUR INTERVAL 1 FT., TOPOGRAPHY
 FURNISHED BY OWNER.



COLLEGE CREST ADDITION-WICHITA, KAN.
 JAMES G. DOSSEY BUILDING CO., - OWNER

SANITARY SEWERS
 PLAN AND TOPOGRAPHY

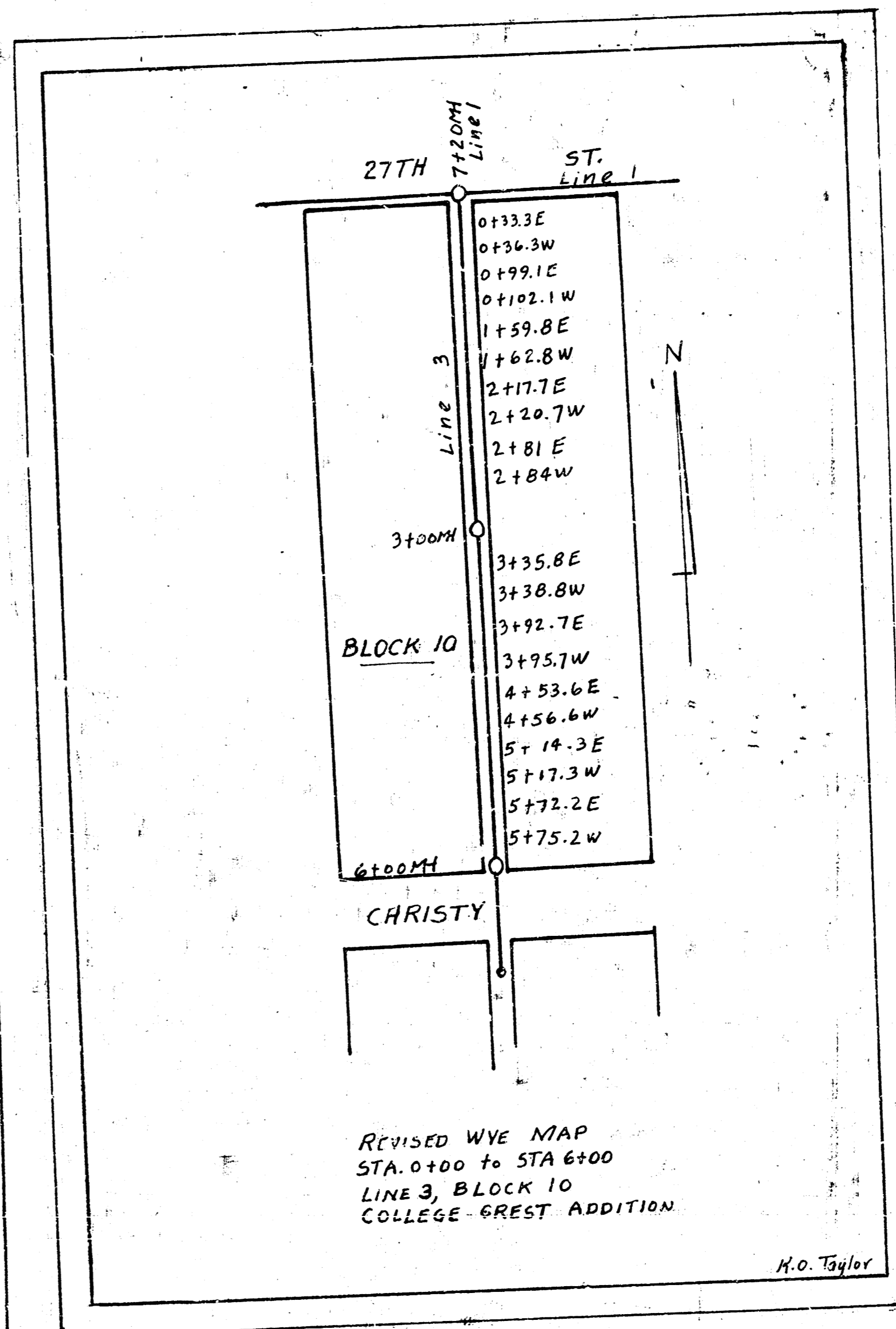
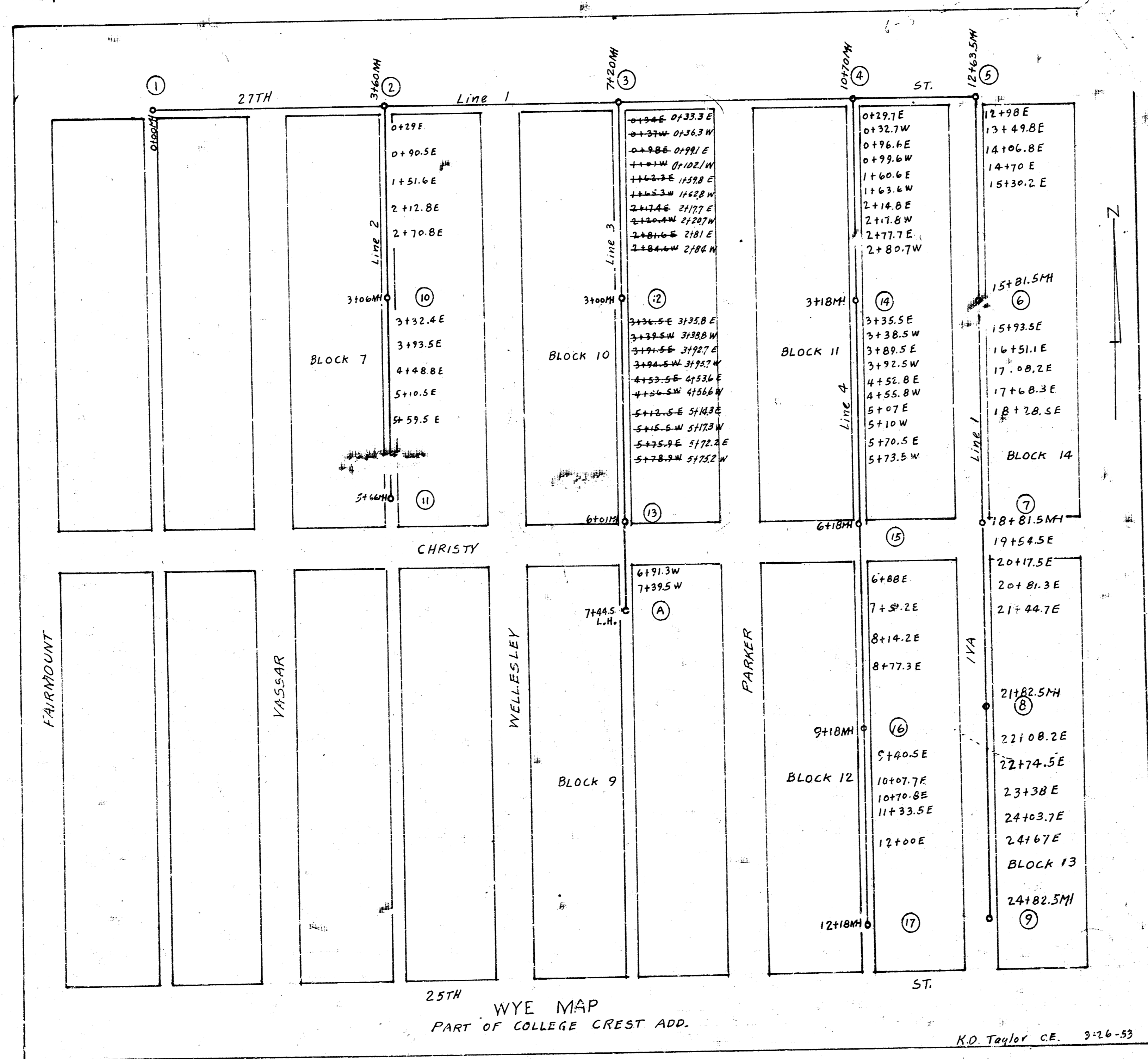
OWEN, MANSUR & STEELE
 CONSULTING ENGINEERS

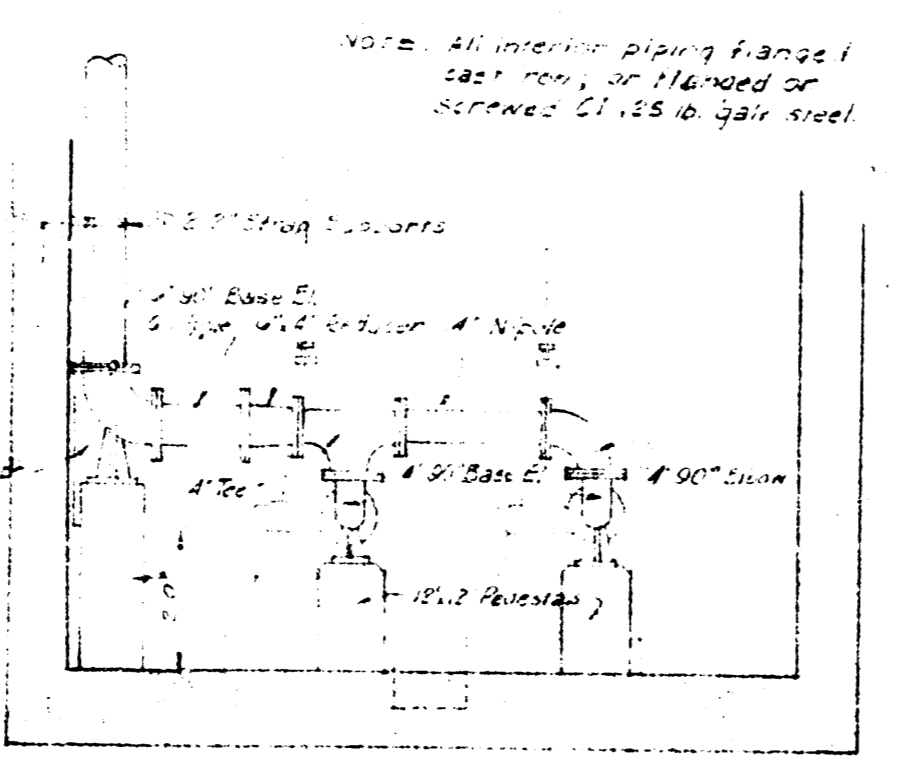
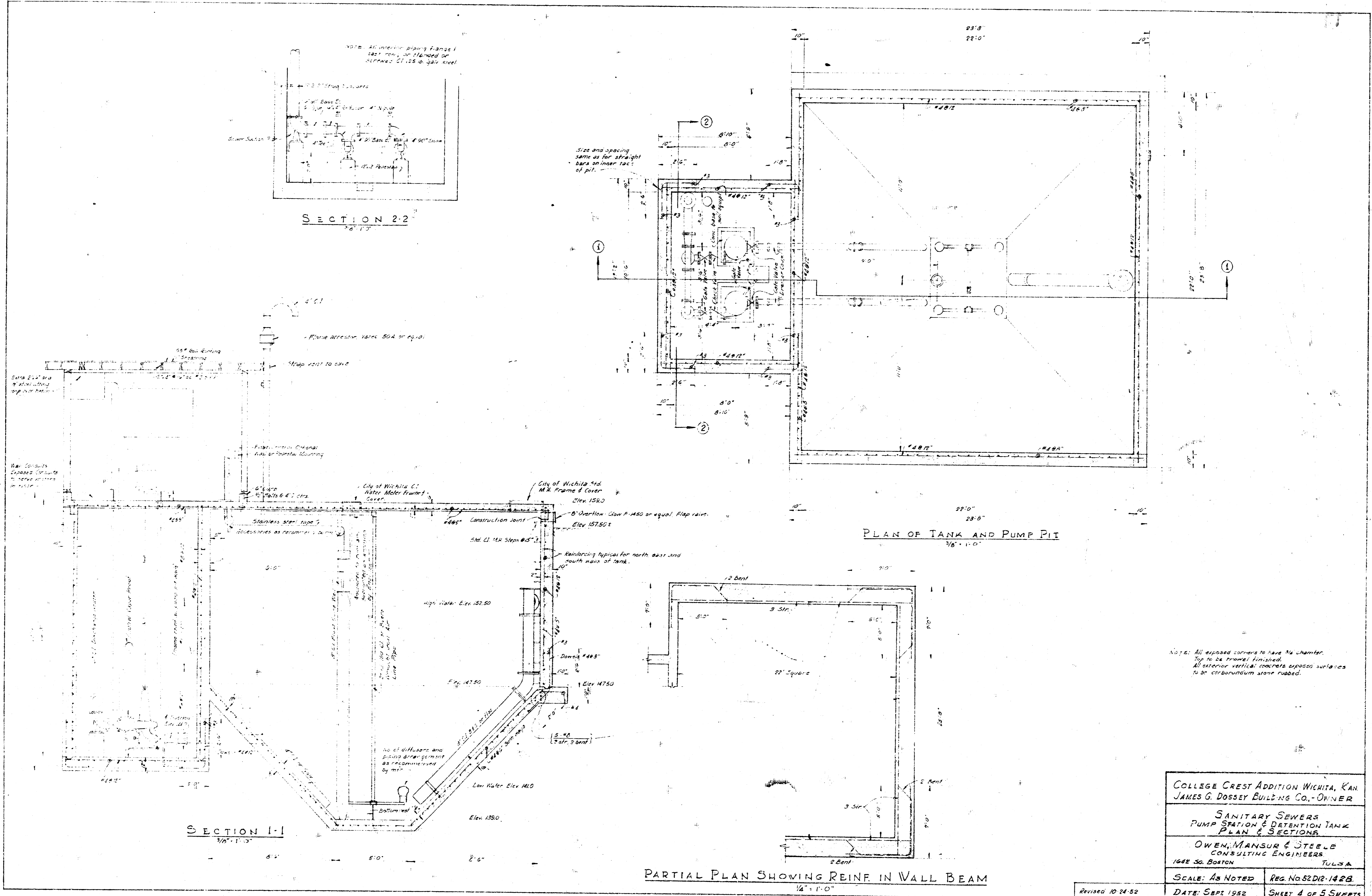
164250, BOSTON TULSA
 Scale: 1"=100' Reg. No. 5E D12-1425

Date: Aug. 1952 Sheet 1 of 5 Sheets

C.C. IMP. DIST.
 EA 247
 BLK 9
 10
 11
 12
 13
 14
 15

Revised 10-24-52





Size and opening same as for straight pipe unless noted on plan.

PLAN OF TANK AND PUMP PIT
3/8" = 1'-0"

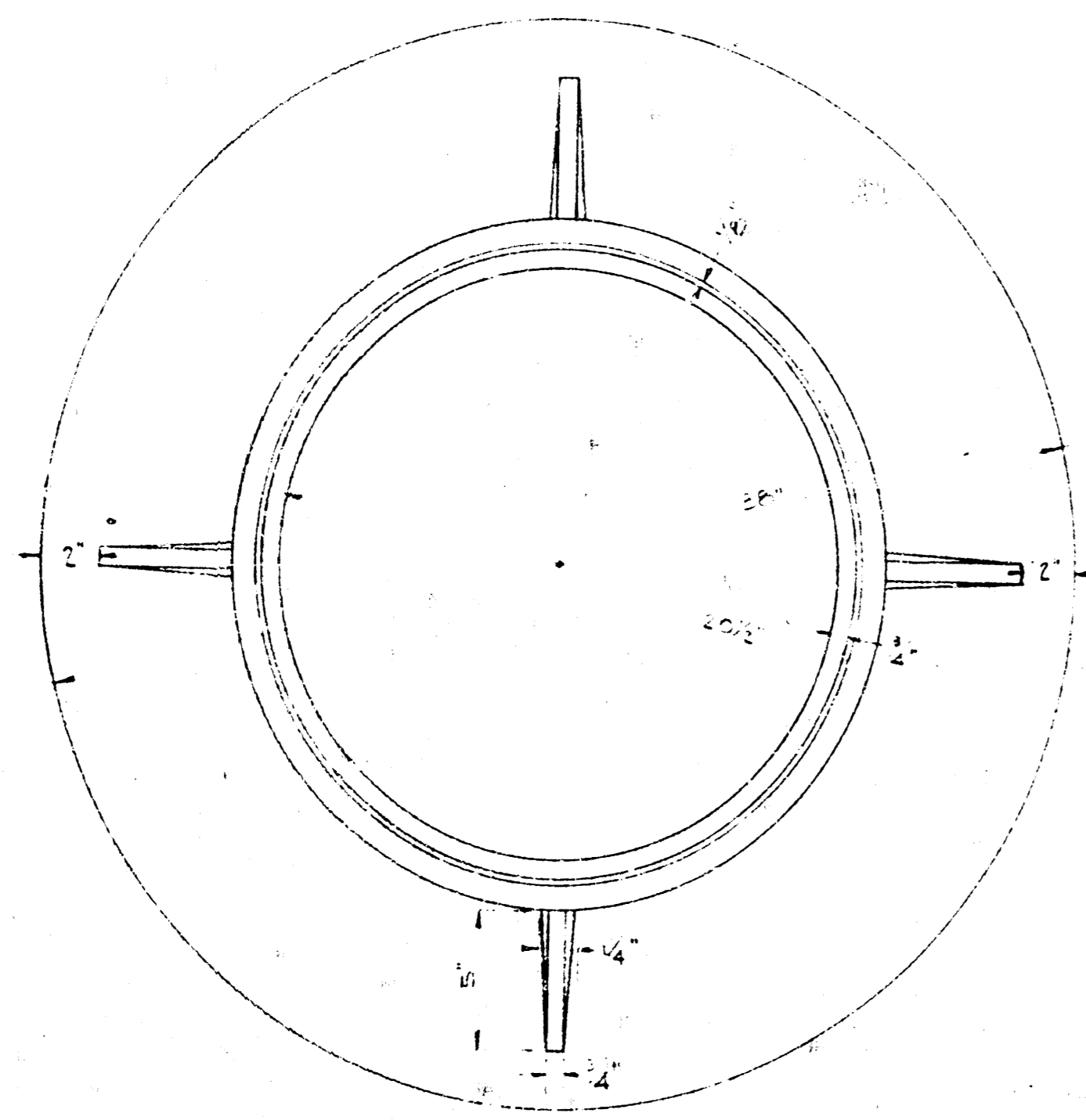
SECTION 1-1
3/8" = 1'-0"

PARTIAL PLAN SHOWING REINF IN WALL BEAM
1/4" = 1'-0"

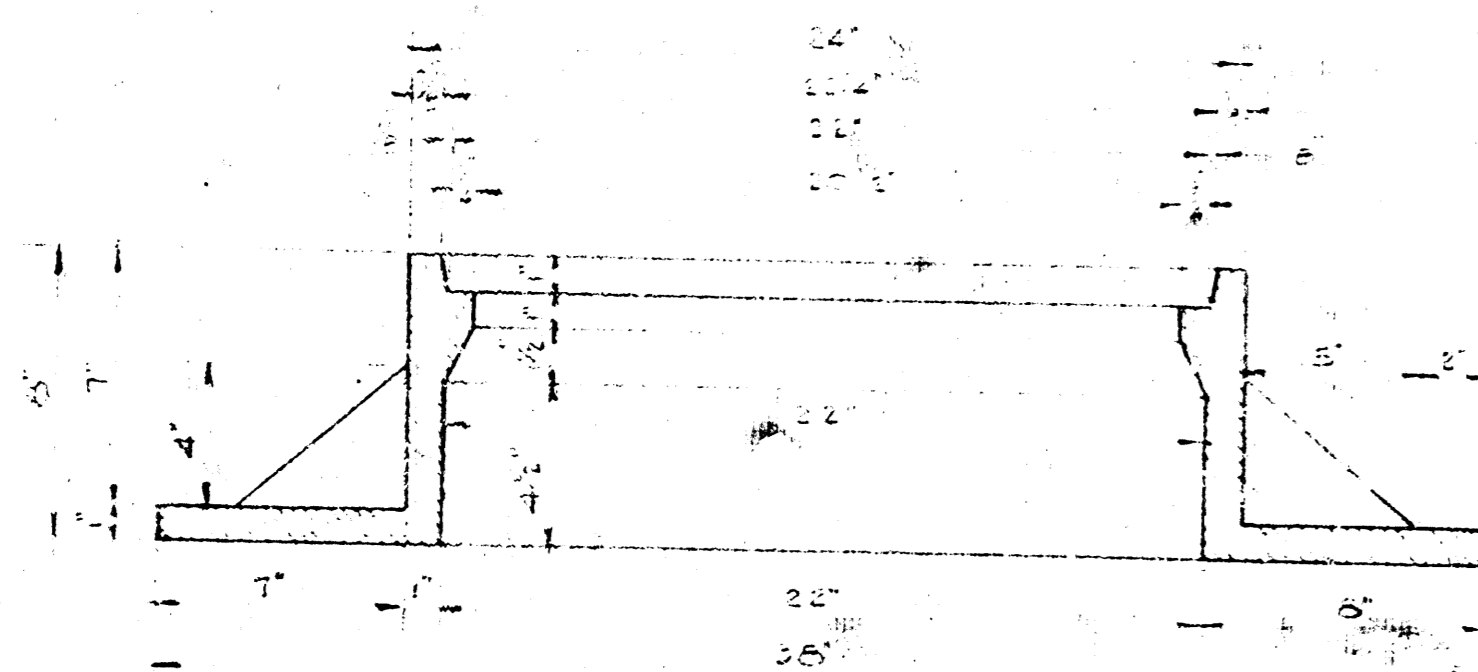
NOTE: All exposed corners to have 3/4 chamfer. Top to be finished. All exterior vertical concrete exposed surfaces to be carborundum stone rubbed.

COLLEGE CREST ADDITION WICHITA, KAN. JAMES G. DOSSEY BUILDING CO., OWNER	
SANITARY SEWERS PUMP STATION & DETENTION TANK PLAN & SECTIONS	
OWEN, MANSUR & STEELE CONSULTING ENGINEERS 1642 So. BOSTON TULSA, OK.	
SCALE: AS NOTED	REG. NO. 52212-1428
DATE: SEPT 1952	SHEET 4 OF 5 SHEETS

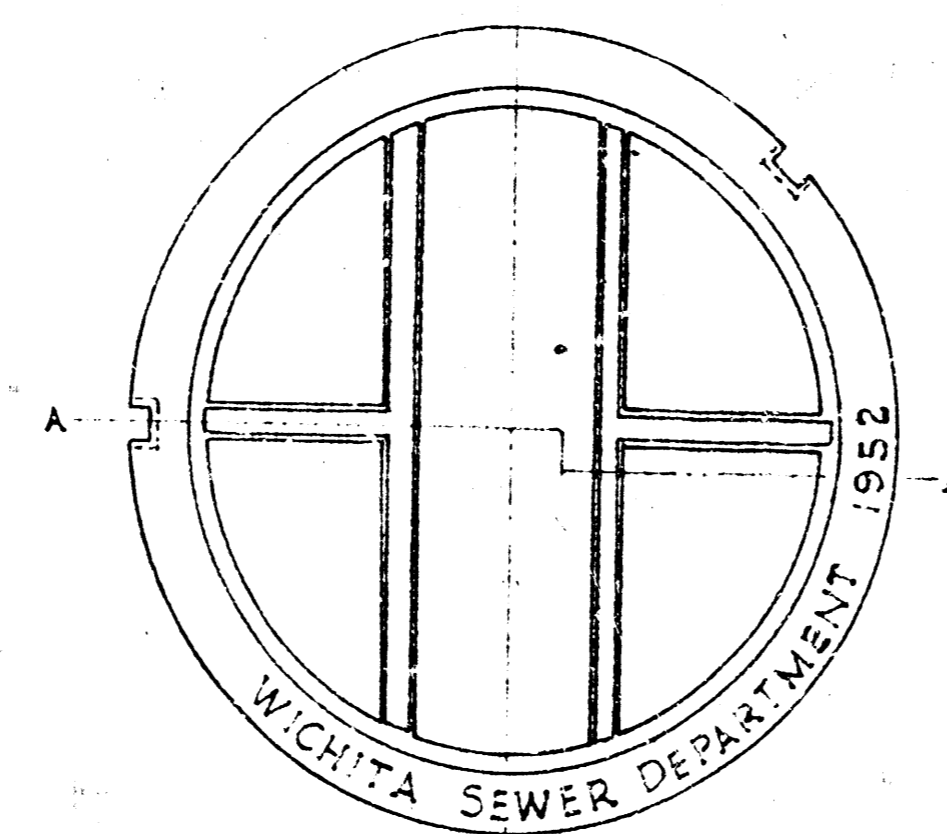
REVISED 10 24 52



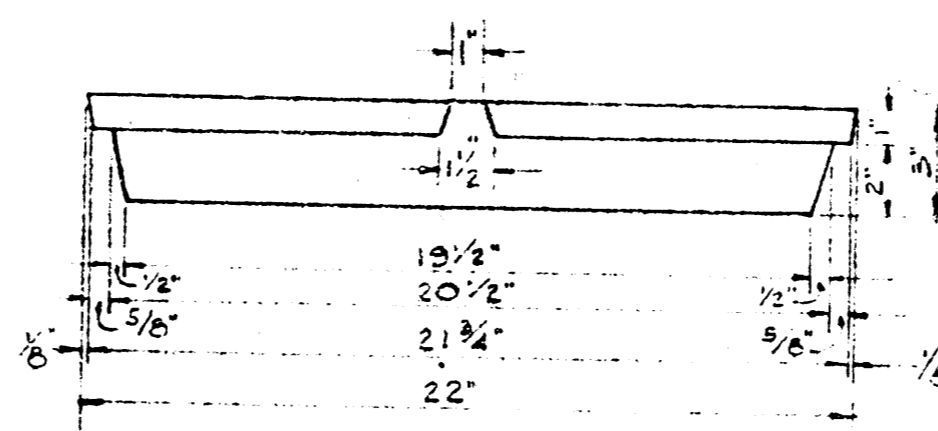
TOP VIEW OR PLAN OF
MANHOLE RING
1/2" = 1'-0"



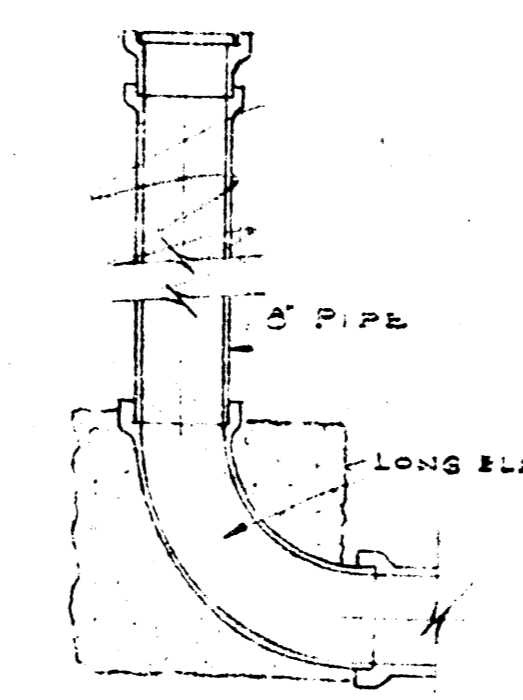
VERTICAL CROSS SECTION OF MANHOLE RING
1/2" = 1'-0"



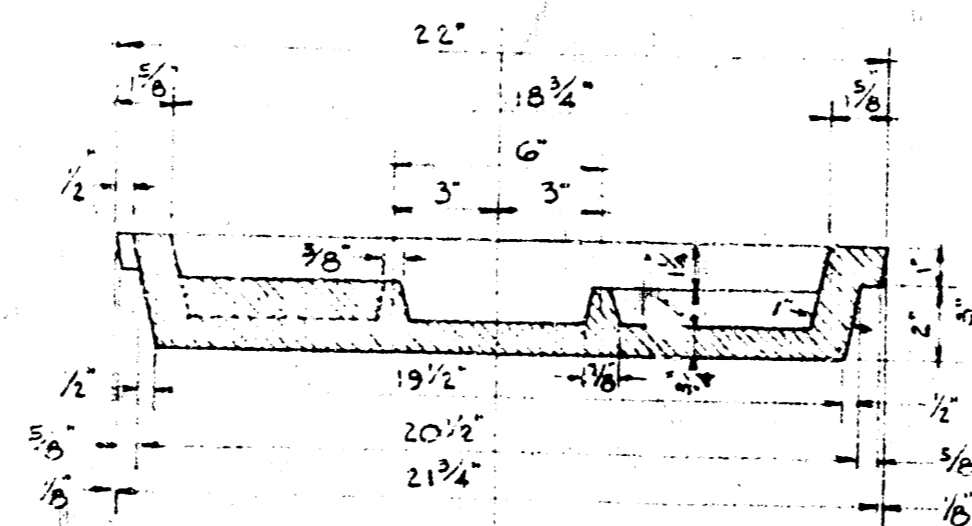
TOP VIEW OR PLAN OF
MANHOLE COVER
DATE TO BE CHANGED TO CORRESPOND
WITH CURRENT YEAR.
1/2" = 1'-0"



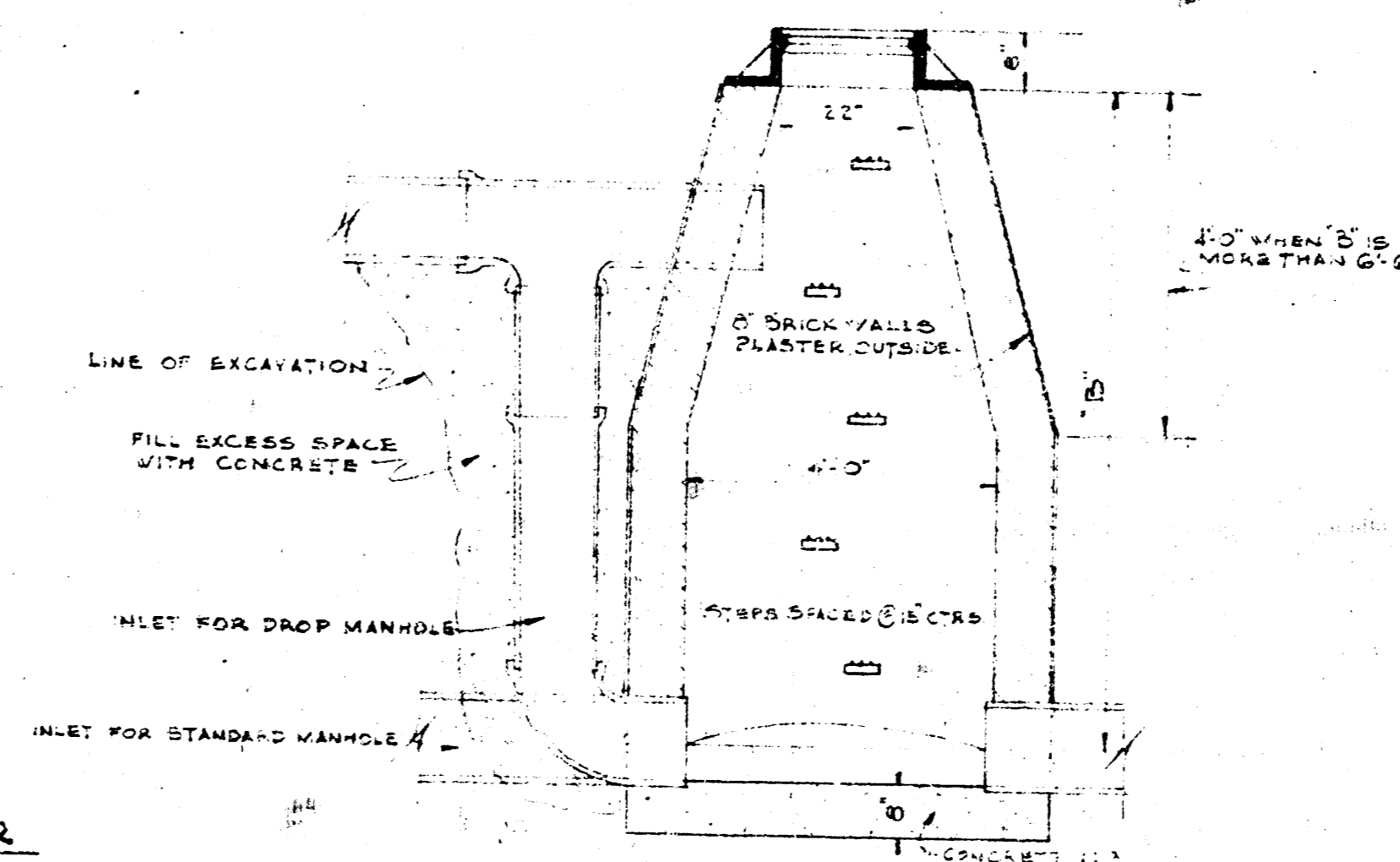
SIDE VIEW OR ELEVATION
OF MANHOLE COVER
SHOWING DIMENSIONS OF
LIFTING NOTCH
1/2" = 1'-0"



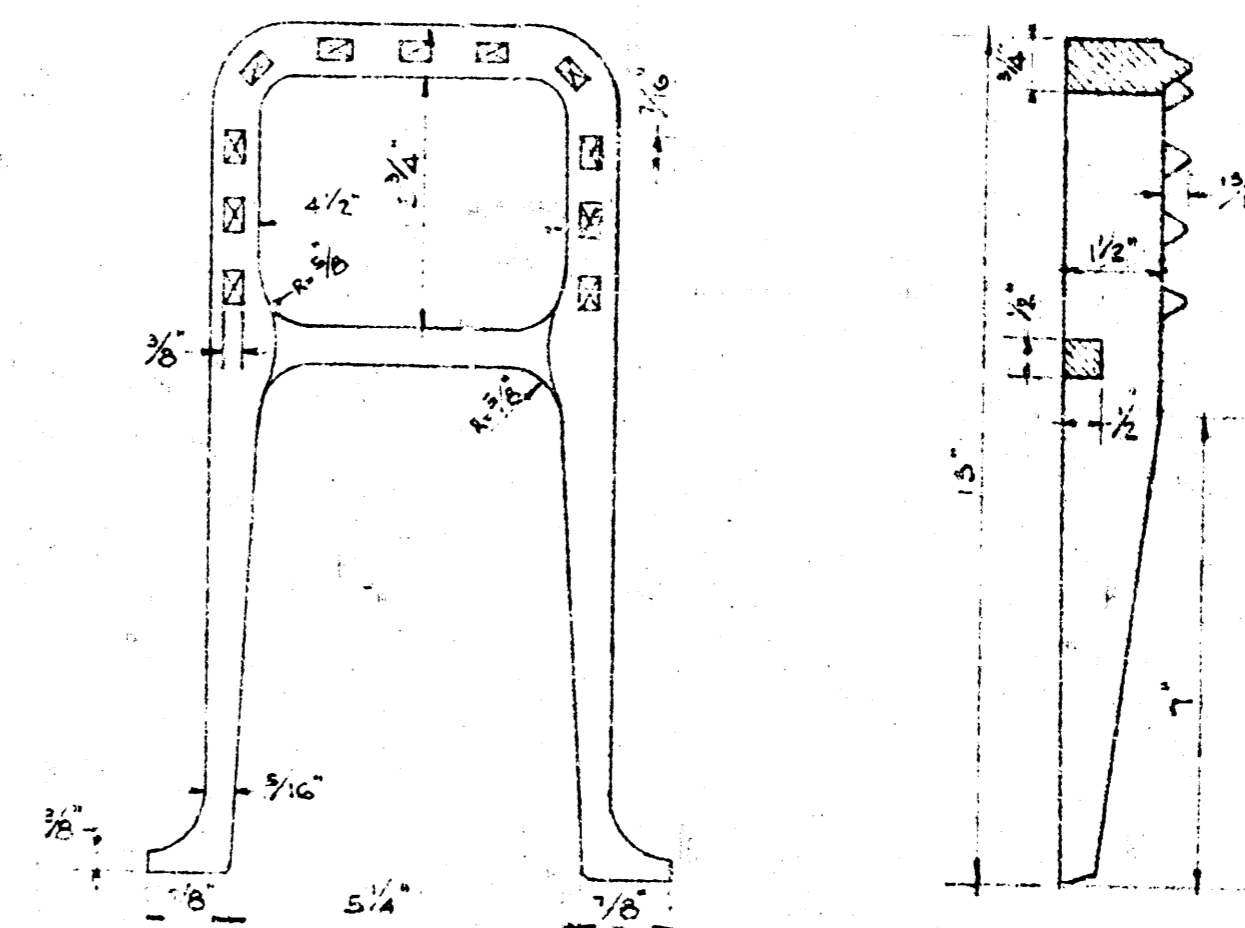
LAMP HOLE DETAIL



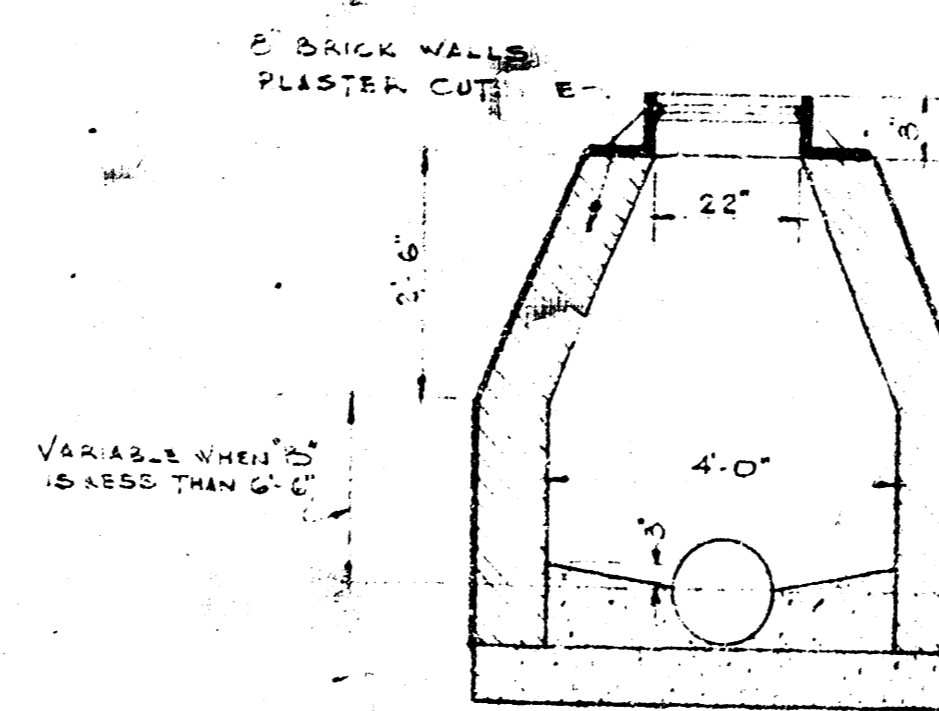
VERTICAL CROSS SECTION 'A-A' OF COVER
SHOWING DEPTH OF LIFTING NOTCH
COVER TO BE FILLED FLUSH WITH ASPHALT
1/2" = 1'-0"



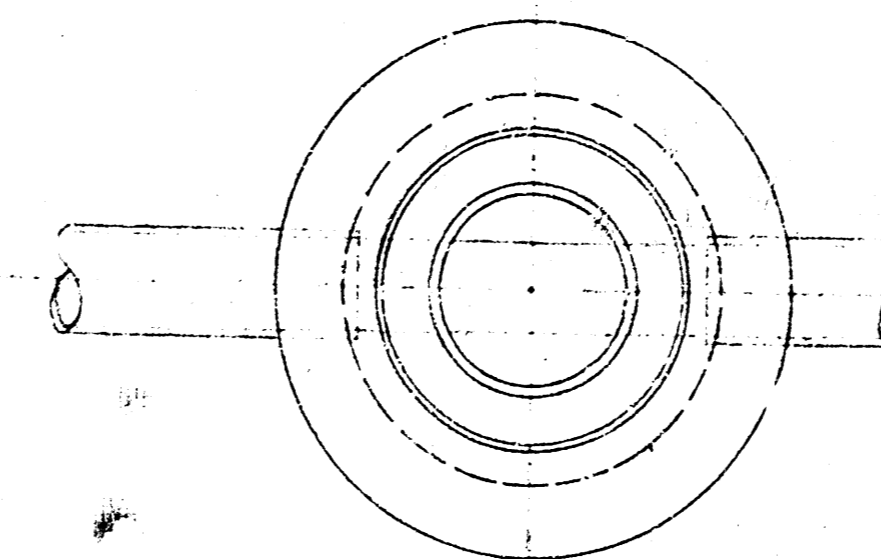
SECTION



MANHOLE STEP



SECTION



PLAN

STANDARD AND DROP MANHOLES



COLLEGE CREST ADDITION WICHITA, KAN. JAMES G. DOSSEY BUILDING CO., OWNER	
SANITARY SEWERS DETAILS	
OWEN MANSUETI, REGISTERED CONSULTING ENGINEER	
1642 SO. BOSTON SCALE: AS NOTED	FULDA REG. NO. 52012-1423
DATE: SEPT. 1952	SHEET 5 OF 5 SHEETS