

PROJECT NO.	FISCAL YEAR	SHEET NO.	TOTAL SHEETS
	1985	1	4

BUREAU OF PUBLIC SERVICES

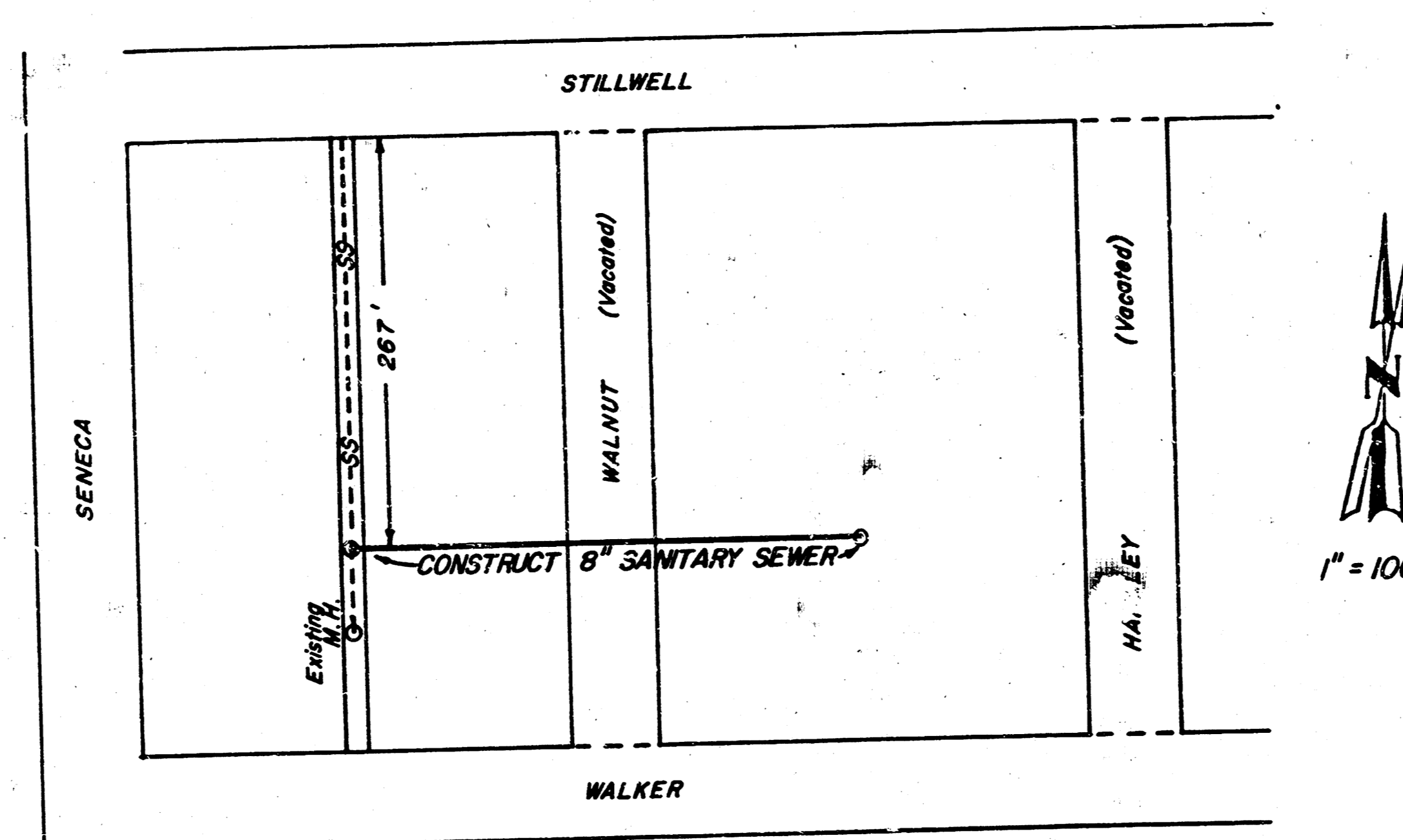


INDEX OF SHEETS

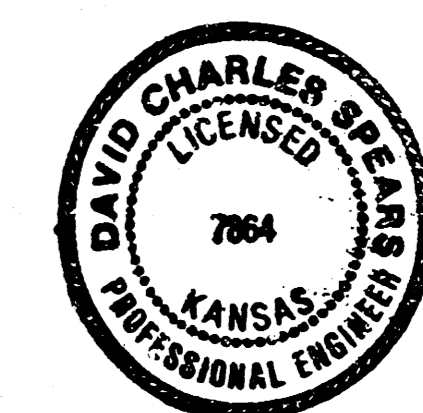
SHEET NO.	TITLE
SHEET NO. 1	TITLE SHEET
SHEET NO. 2	PLAN AND PROFILE
SHEET NO. 3	TYPE "A" MANHOLE
SHEET NO. 4	TYPE "A" SPECIAL SHALLOW MANHOLE

SANITARY SEWER IMPROVEMENT COUNTY YARD AT SENECA AND STILLWELL

CITY PROJECT #468-76-245-80001-000-000-021



APPROVED AS NOTED
By CITY ENGINEER OF WICHITA
Sanitary Sewers *AK Valisles*
Storm Sewers _____
Driveway Approaches _____



NOTE TO CONTRACTOR
This project will be constructed under the supervision of the CITY ENGINEER and conforming to the SPECIFICATIONS of the CITY OF WICHITA. The CONTRACTOR will pay the City of Wichita for all costs of plan review, inspection and booking per contract.

APPROVED:
David C. Spear
COUNTY ENGINEER / DIRECTOR OF PUBLIC SERVICES
DATE: June 13, 1985

APPROVED: DATE: *6/13/85*
Donald P. Dragg
CHAIRMAN
BOARD OF COUNTY COMMISSIONERS

FILED:
FILED IN THE OFFICE OF
THE SEDGWICK COUNTY CLERK
Don Wright *6/13/85*
COUNTY CLERK DATE:

CONVENTIONAL SIGNS

- WIRE FENCE _____
- HEDGE ROW _____
- RAILROAD _____
- SURVEY LINE _____
- RIGHT OF WAY _____
- TELEPHONE POLE _____
- POWER POLE _____
- COMB. POWER & TELEPHONE _____
- TOWNSHIP LINE _____
- CONSTRUCTION LIMITS _____
- GUARD FENCE _____
- TREES _____

NET LENGTH OF PROJECT _____ FT. _____ MILES
NET LENGTH OF BRIDGES _____ FT. _____ MILES
NET LENGTH OF ROAD _____ FT. _____ MILES
EXCEPTIONS _____ FT. _____ MILES
ADDITIONS _____ FT. _____ MILES
GROSS LENGTH OF PROJECT _____ FT. _____ MILES

PLANS PREPARED BY: _____
DATE: _____
APPROVED: _____ DATE: _____

COUNTY	STATE	PROJECT NUMBER	FISCAL YEAR	SHEET NO.	TOTAL SHEETS
SEDGWICK	KANSAS		1985	2	4

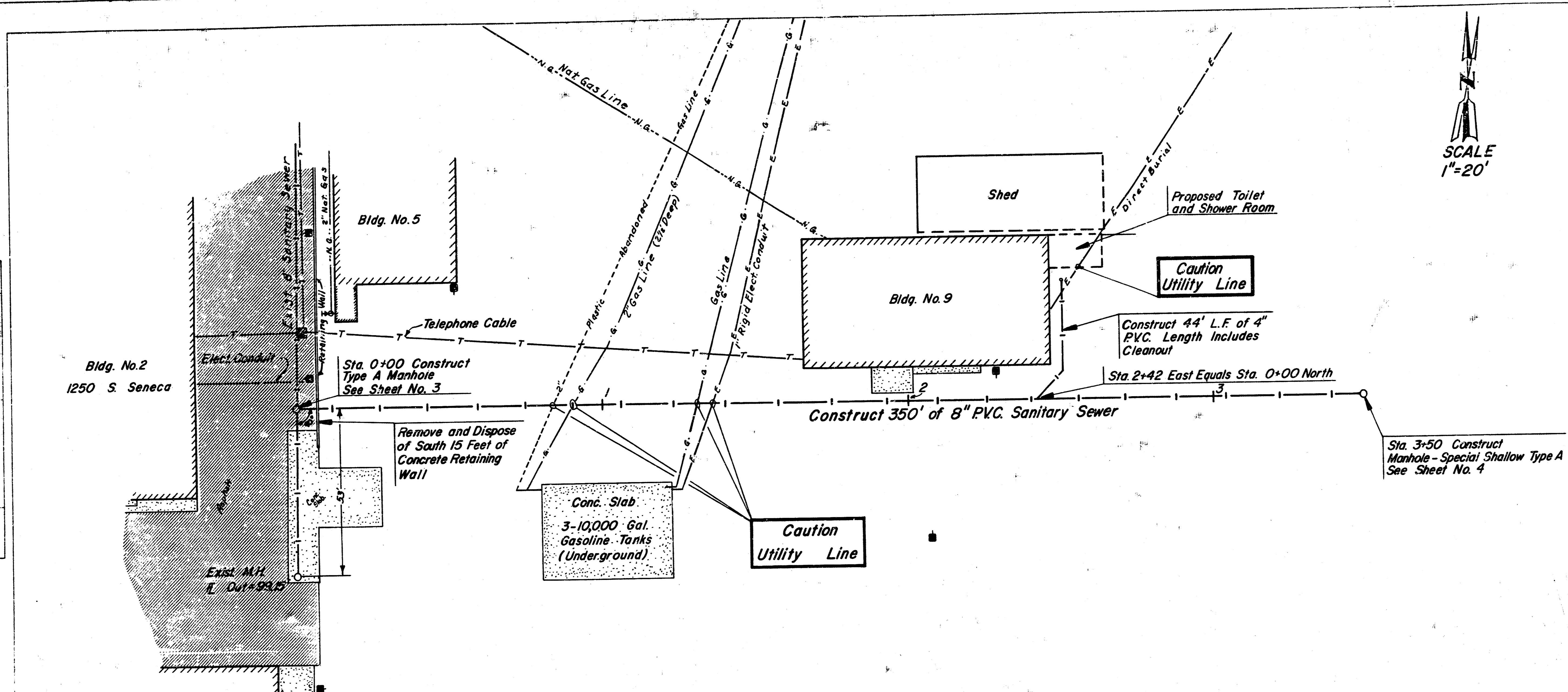
GENERAL NOTES

- Construction Staking and Inspection Services will be provided by Sedgwick County.
- The 4 inch line shall not be constructed until the 8 inch line has passed the Air Test. The Contractor shall obtain a permit from the Central Inspection Division, City of Wichita, Kansas, prior to construction of the 4 inch line. The cost of obtaining the permit shall be considered subsidiary to the bid item "4 inch P.V.C. Sanitary Sewer Pipe."
- Removal of and replacement of existing pavement shall be considered subsidiary to the bid item "Manhole - Type A." Asphalt pavement shall be replaced with concrete pavement per City of Wichita Specifications.
- All trenches shall be backfilled per City of Wichita Specifications for backfill within alley or street right-of-way. The top six inches of trenches in gravelled areas shall be backfilled with AS-1 aggregate.
- Removal and disposal of the retaining wall shall be considered subsidiary to the bid item "8 inch P.V.C. Sanitary Sewer Pipe."
- All surplus excavated material shall be removed from the County Yard and disposed of by the Contractor. This work shall be considered subsidiary to the bid item "8 inch P.V.C. Sanitary Sewer Pipe" and no additional payment will be made for this work.
- The Contractor shall make arrangements with the Department of Operations and Maintenance, City of Wichita, Kansas, for Air Testing and Television Inspection prior to construction. The Contractor shall be responsible for all costs incurred by the City of Wichita for Air Testing and Television Inspection, regardless of the number of tests or inspections required.

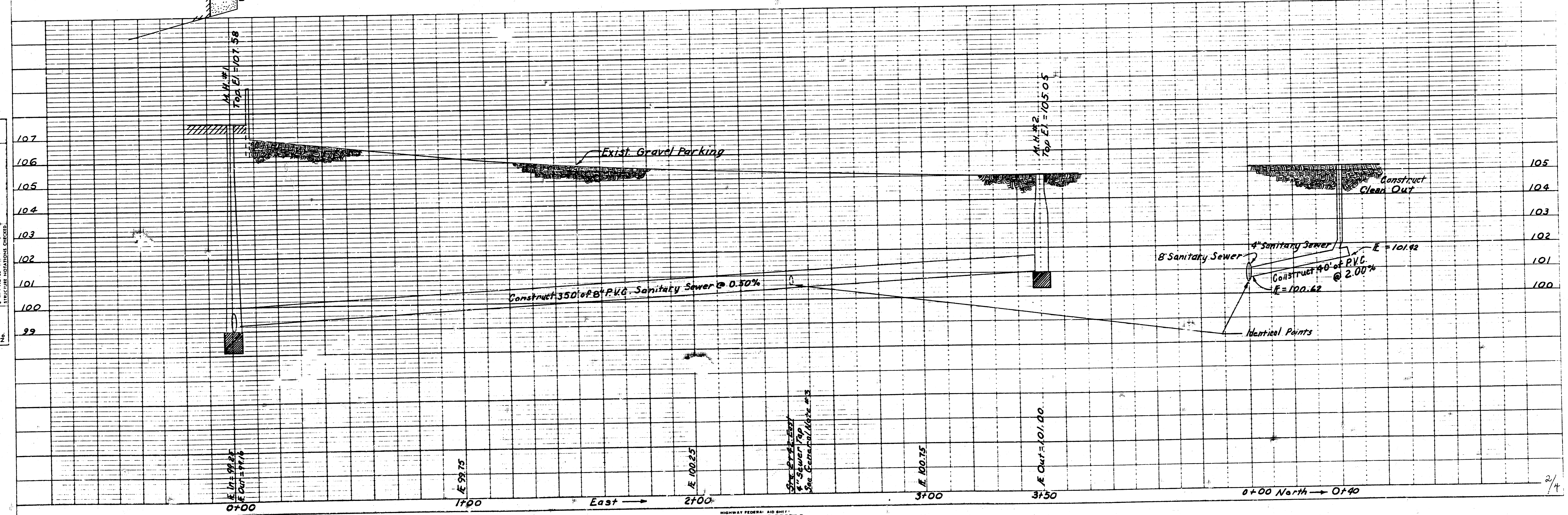
SUMMARY OF QUANTITIES		
ITEM	QUANTITY	UNITS
8 inch P.V.C. Sanitary Sewer Pipe	350	lf.
4 inch P.V.C. Sanitary Sewer Pipe	44	lf.
Manhole - Type A	1	ea.
Manhole - Special Shallow Type A	1	ea.
Air Testing & Television Inspection	1	L.S.

DATE: 6-85
BY: JEW
CHECKED: JEW
NO.:

DATE: 6-85
BY: JEW
CHECKED: JEW
NO.:

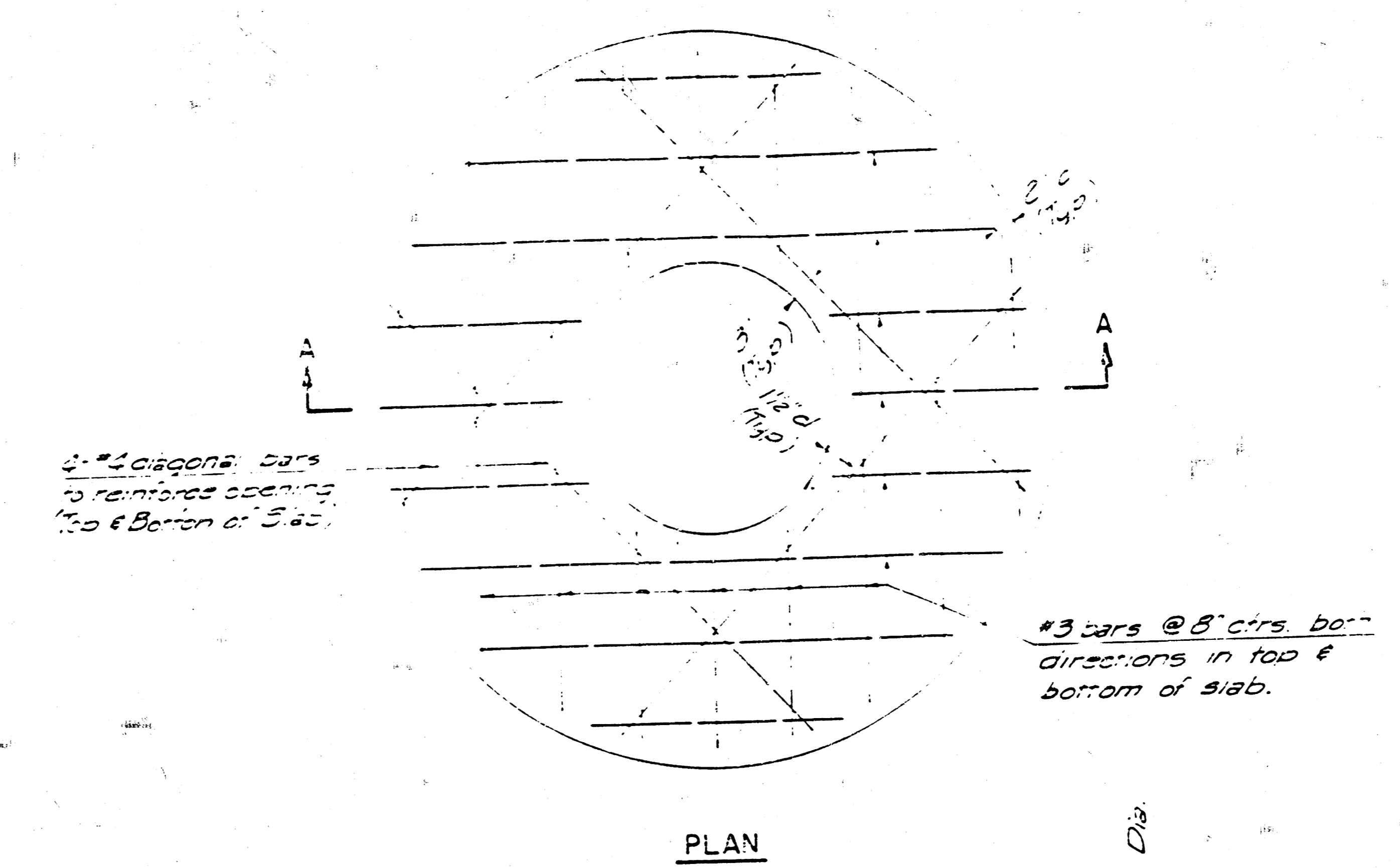
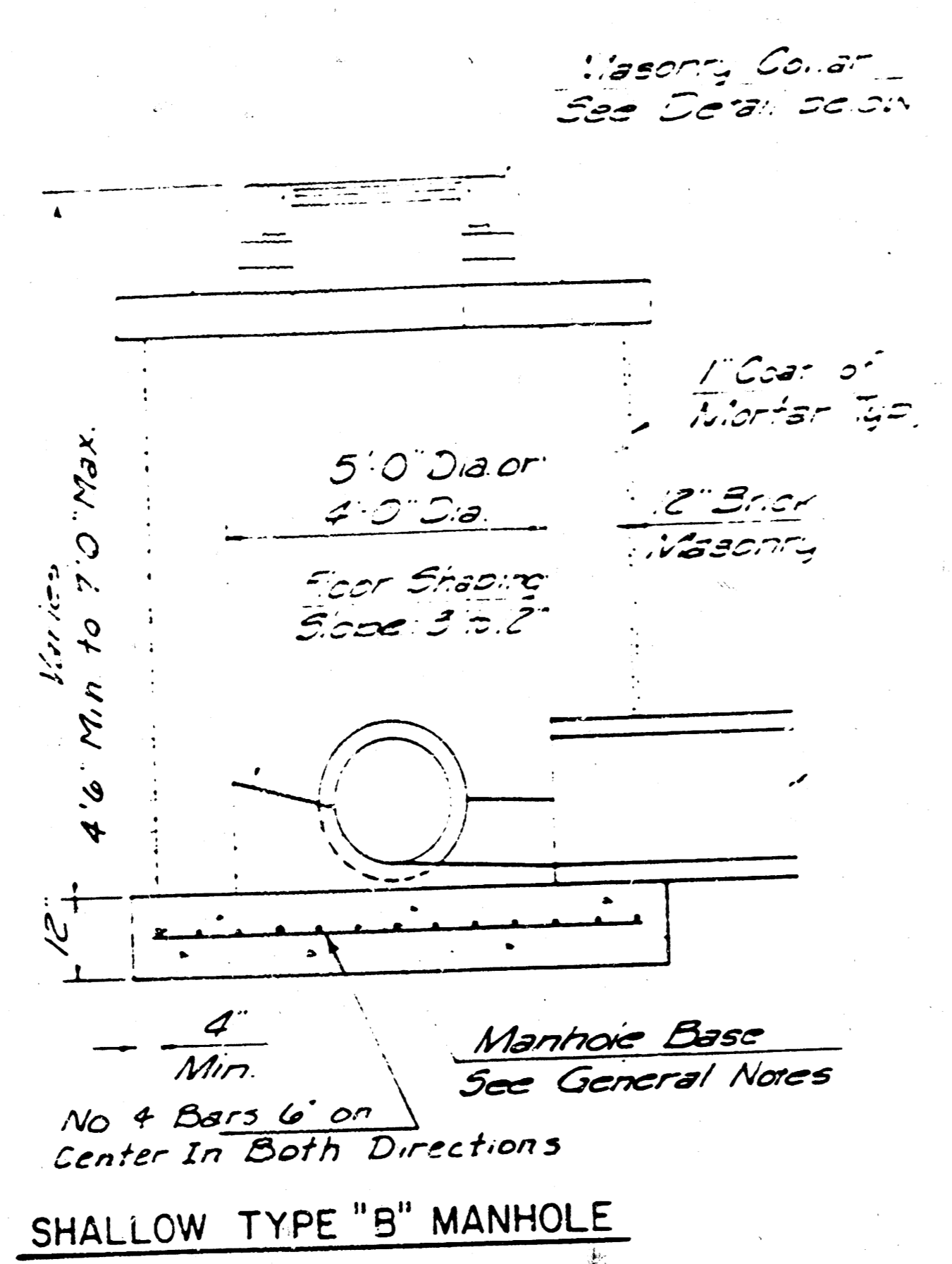
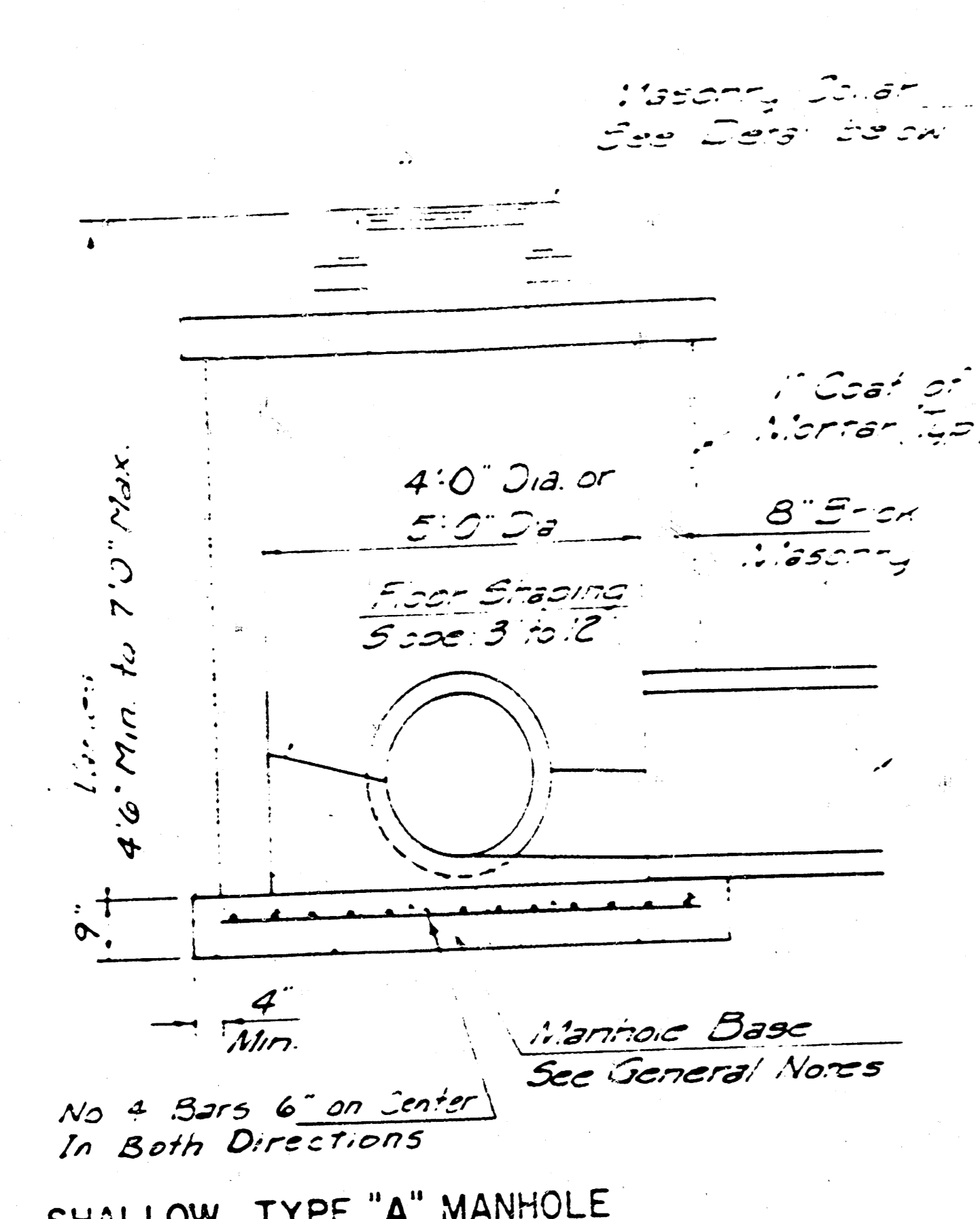


SCALE
1"=20'

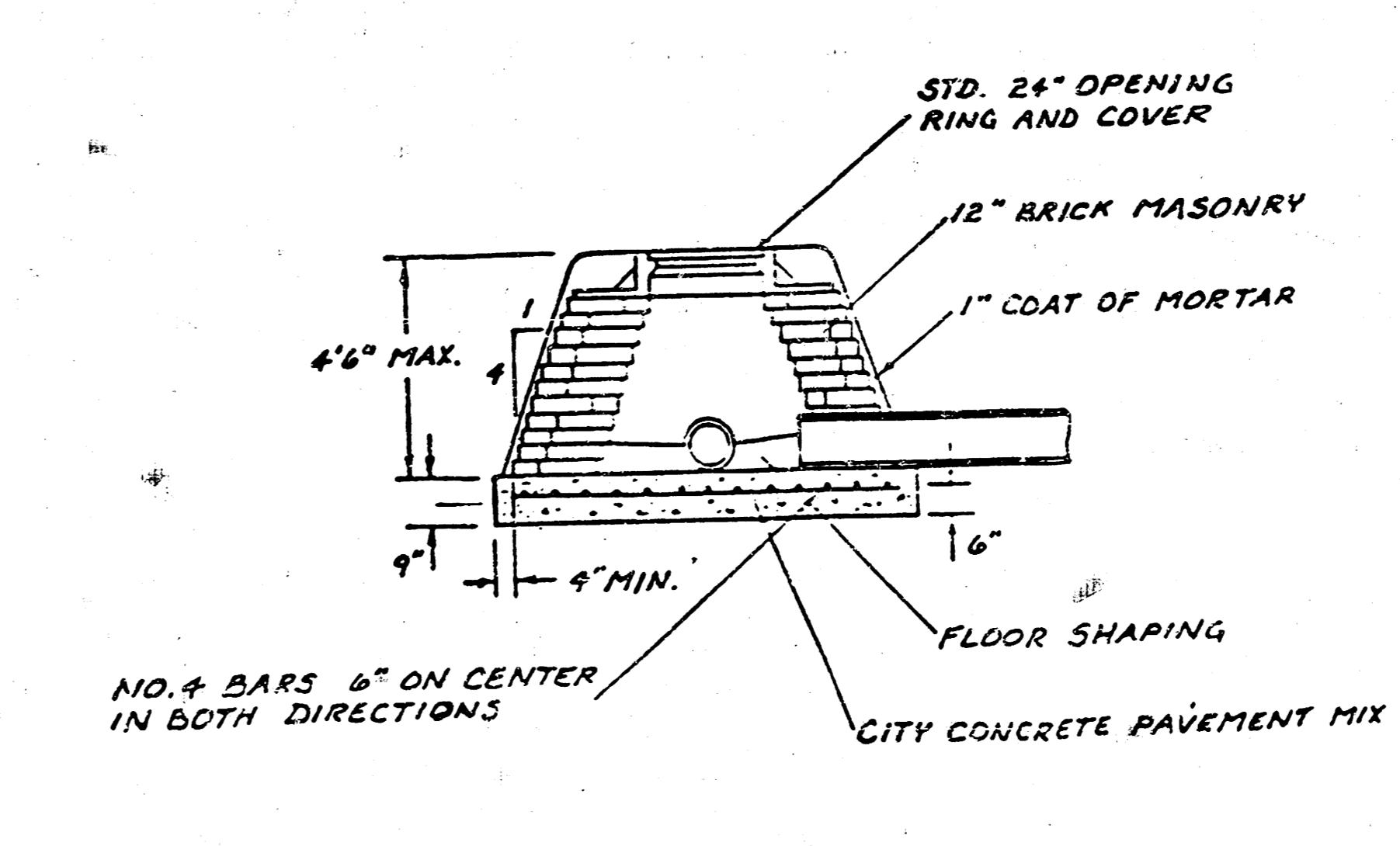
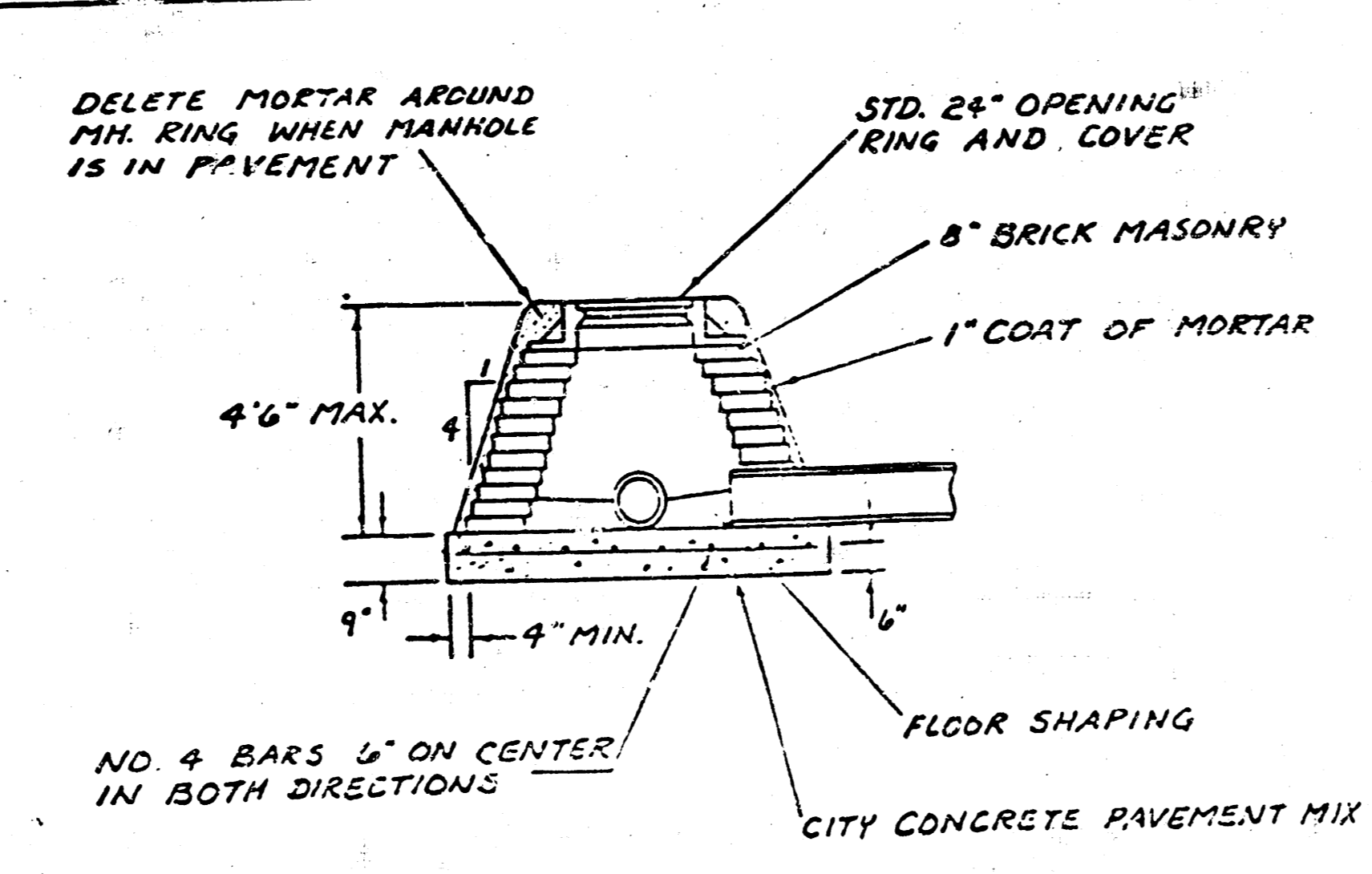
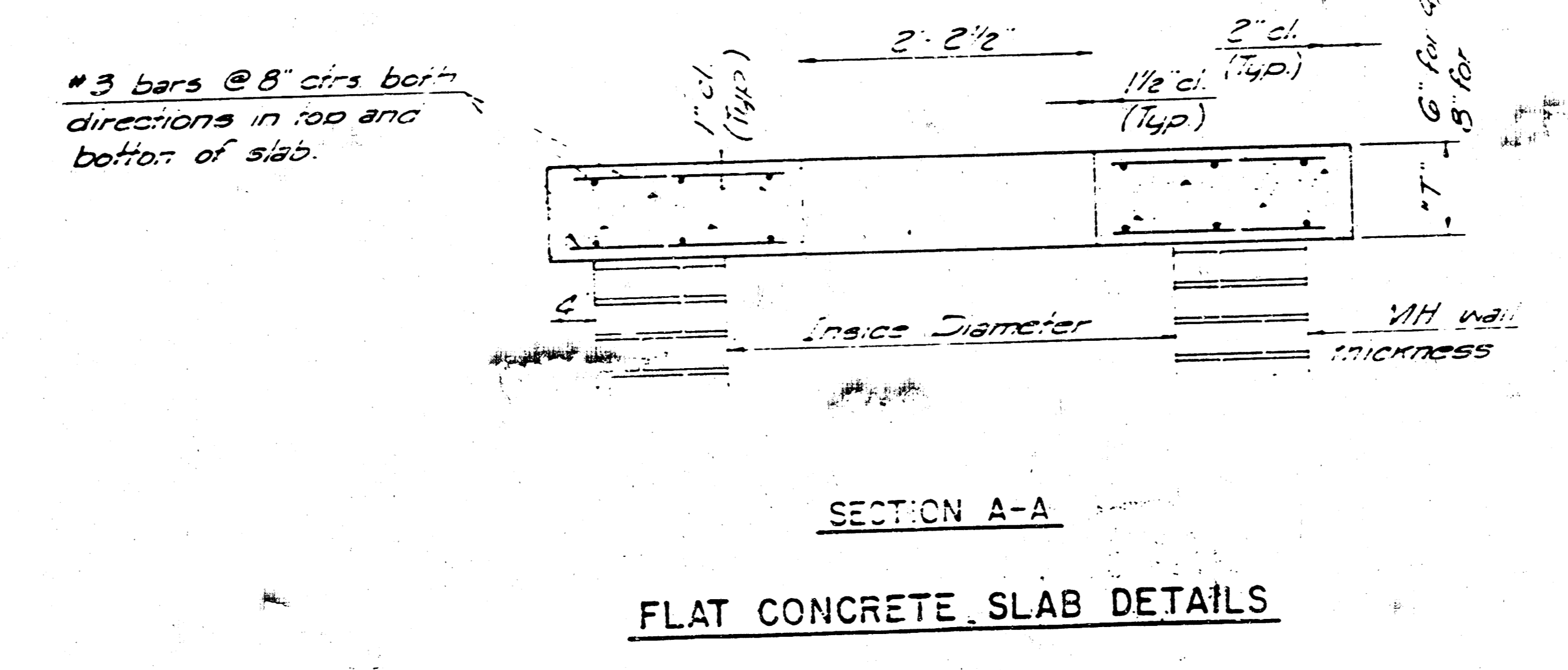
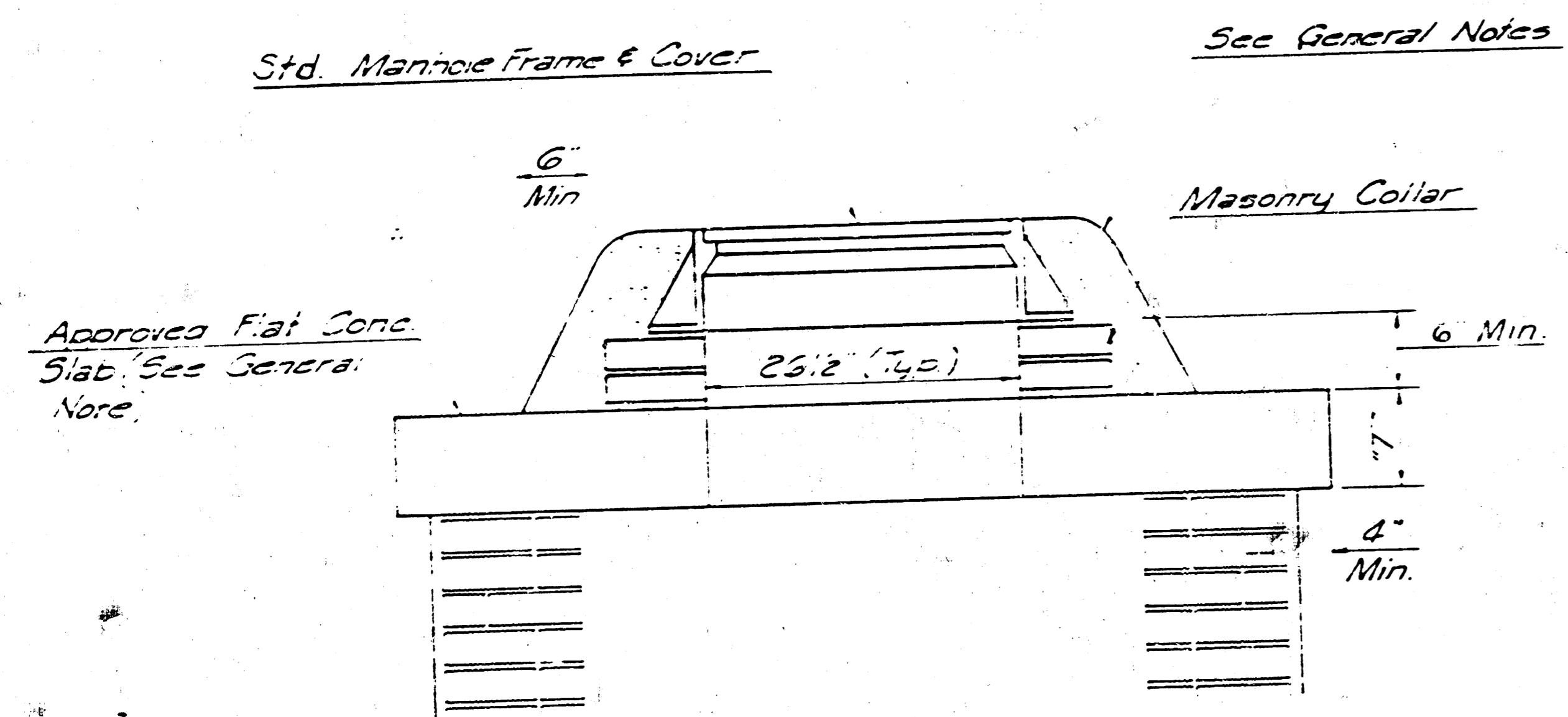


FILMED FROM THE BEST AVAILABLE COPY

COUNTY	STATE	PROJECT NUMBER	FISCAL YEAR	SHEET NO.	TOTAL SHEETS
SEDGWICK	KANSAS		1985	4	4



- GENERAL NOTES
- MORTAR USED IN MASONRY CONSTRUCTION SHALL CONTAIN 8 SACKS OF CEMENT PER CUBIC YARD. CONCRETE USED IN MANHOLE BASES SHALL CONFORM TO THE REQUIREMENTS OF CONCRETE FOR CONCRETE PAVEMENT CONSTRUCTION AS SPECIFIED IN THE CITY STANDARD PAVING SPECIFICATIONS USING CITY CONCRETE CEMENT MIX WITHOUT AIR ENTRAINING AD MIXTURE. MORTAR SHALL BE PLACED AROUND THE MANHOLE RING AS SHOWN ON THE DRAWINGS WHEN MANHOLES ARE CONSTRUCTED IN UNPAVED AREAS. TYPE "A" SHALLOW MANHOLES CAN BE USED ON SEWERS WHEN THE MANHOLE IS NOT LOCATED WITHIN PUBLIC STREET PAVEMENT. MANHOLES UNCONSTRUCTED WHERE PIPE SIZES ARE SMALLER THAN 24" SHALL HAVE AN INSIDE DIAMETER OF 4". MANHOLES CONSTRUCTED WHERE PIPE SIZES ARE 24" OR LARGER SHALL HAVE AN INSIDE DIAMETER OF 5". COMPLETED MANHOLE SHALL BE WITHOUT LEAKS AND WATER TIGHT.
 - REINFORCING STEEL SHALL BE INSTALLED IN THE MANHOLE BASES AND SHALL CONSIST OF NO. 4 BARS PLACED ON 6" CENTERS IN BOTH DIRECTIONS. THE MANHOLE BASE REINFORCEMENT SHALL BE PLACED 6" ABOVE THE BOTTOM OF THE MANHOLE BASE. ALL COSTS FOR FURNISHING AND INSTALLING REINFORCING STEEL SHALL BE INCLUDED IN THE UNIT PRICE BID FOR THE MANHOLE.
 - THE FLOORS OF ALL MANHOLES SHALL BE SHAPED WITH FLOW CHANNELS SUCH THAT THE MANHOLES WILL BE SELF CLEANING AND FREE OF AREAS WHERE SOLIDS COULD BE DEPOSITED AS SEWAGE FLOWS THROUGH THE MANHOLE FROM ALL INLET PIPES TO THE OUTLET PIPE. FLOW CHANNELS SHALL BE FORMED TO MATCH THE BOTTOM HALVES OF THE INFLOWING PIPES AND THE OUTFLOWING PIPE AS SHOWN BY THE DRAWINGS. MANHOLE FLOORS SHALL HAVE SLOPES OF 3 INCHES PER FOOT IN THE AREAS OUTSIDE OF THE FLOW CHANNELS SLOPED TOWARD THE FLOW CHANNELS. PIPES LAID THROUGH MANHOLES SHALL HAVE THE TOP HALF REMOVED TO HEAT LINES FOR THE FULL INSIDE DIAMETER OF THE MANHOLE. MANHOLE FLOORS SHALL THEN BE SHAPED AROUND THE BOTTOM HALF OF THE PIPE WHICH FORMS THE FLOW CHANNEL.
 - PIPES INSTALLED WITHIN THE EXCAVATION MADE FOR THE MANHOLE SHALL BE CRADLED WITH CONCRETE TO THE LIMITS OF THE MANHOLE EXCAVATION. WHEN CLAY PIPE IS USED, THE CRADLE SHALL EXTEND TO THE FIRST JOINT OUTSIDE THE MANHOLE. THE CRADLE SHALL BE TERMINATED AT THE CLAY PIPE JOINT IN A MANNER WHICH WILL MAINTAIN THE FLEXIBILITY OF THE JOINT. COST OF CRADLE WITHIN MANHOLE EXCAVATION OR TO CLAY PIPE JOINTS ADJACENT TO MANHOLE SHALL BE INCLUDED IN THE UNIT PRICE BID FOR THE MANHOLE.
 - MANHOLE COVER CASTINGS AND MANHOLE FRAME CASTINGS SHALL CONFORM TO THE REQUIREMENTS AS INDICATED IN THE STANDARD SPECIFICATIONS AND AS SHOWN IN THE STANDARD DETAIL DRAWINGS.
 - THE CRUMPS OF INFLOWING PIPES SHALL NEVER BE SET LOWER THAN THE CROWN OF THE OUTFLOWING PIPE.
 - STANDARD SHALLOW MANHOLES TYPE "A" AND "B" SHALL BE PAID FOR AT THE UNIT PRICE BID PER EACH FOR THE TYPE AND DIAMETER INDICATED. STANDARD SPECIAL SHALLOW MANHOLES TYPE "A" AND "B" SHALL BE PAID FOR AT THE UNIT PRICE BID PER EACH FOR THE TYPE INDICATED. ALL STANDARD SHALLOW MANHOLE DIAMETERS WILL BE 4" UNLESS INDICATED OTHERWISE.



CITY OF WICHITA, KANSAS
STANDARD SHALLOW MANHOLES
TYPE 'A' AND TYPE 'B'

Checked by: [Signature]
Date: [Date]

FILMED FROM THE BEST AVAILABLE COPY