

GENERAL NOTES

- ALL ELEVATIONS SHOWN ARE BASED ON CITY OF WICHITA DATUM. (USGS-1187.4- CITY DATUM)
- INTERURBAN TRAFFIC GENERATED OUTSIDE THE PROJECT AREA IS NOT TO BE CARRIED THROUGH CONSTRUCTION. LOCAL RESIDENTIAL TRAFFIC GENERATED WITHIN THE PROJECT AREA IS TO BE CARRIED THROUGH CONSTRUCTION AS FURTHER PROMULGATED BY PROJECT SPECIAL PROVISIONS.
- UTILITY SERVICE LINES, POLES, VALVE BOXES, METERS, ETC. ARE TO BE ADJUSTED AS NECESSARY BY OTHERS PRIOR TO CONSTRUCTION UNLESS THE PLANS SPECIFICALLY CALL FOR THEIR ADJUSTMENT BY THE CONTRACTOR OR UNLESS THE PLANS SPECIFICALLY IDENTIFY A UTILITY TO BE ADJUSTED BY ITS OWNER DURING CONSTRUCTION. EXISTING UTILITIES AND THEIR LOCATION, AS SHOWN ON THE PLANS, REPRESENT THE BEST INFORMATION AVAILABLE FOR DESIGN. LOCATION INFORMATION HAS BEEN OBTAINED FROM THE VARIOUS UTILITY COMPANIES AND IS EITHER FROM COMPANY RECORD DRAWINGS OR COMPANY PROVIDED FIELD LOCATIONS. THE PLAN LOCATIONS ARE NOT GUARANTEED. ADDITIONAL EXISTING UTILITIES MAY ALSO BE ENCOUNTERED. THE CONTRACTOR WILL BE REQUIRED TO WORK AROUND EXISTING UTILITIES WHICH ARE ENCOUNTERED ON THIS PROJECT. THE CONTRACTOR SHALL EXERCISE EXTREME CAUTION DURING TRENCHING OPERATIONS TO AVOID DAMAGING THESE LINES. ANY LINES DAMAGED SHALL BE REPLACED OR REPAIRED IMMEDIATELY AS DIRECTED BY THE ENGINEER AT THE CONTRACTOR'S EXPENSE.
- RUBBLE FROM THE REMOVAL OF MISCELLANEOUS STRUCTURES AND EXCESS EXCAVATION WHICH IS TO BE WASTED SHALL BE DISPOSED OF ON SITES TO BE PROVIDED BY THE CONTRACTOR. THESE SITES SHALL BE APPROVED BY THE ENGINEER AS TO SUITABILITY, APPEARANCE, AND SITE LOCATION. LOCATIONS, THAT IN THE OPINION OF THE ENGINEER, WILL LEAVE AN UNSIGHTLY APPEARANCE WILL NOT BE APPROVED. COST OF EXCAVATION, HAULING AND DUMPING OF EXCESS EXCAVATION SHALL BE TO OTHER ITEMS OF WORK. ALL DISPOSAL SITES MUST BE APPROVED BY THE KANSAS DEPARTMENT OF HEALTH AND ENVIRONMENT. MATERIAL EITHER STOCKPILED OR DISPOSED OF IN A FLOODPLAIN WOULD REQUIRE A KANSAS STATE BOARD OF AGRICULTURE PERMIT. ANY MATERIALS DUMPED IN WATERS OF THE UNITED STATE OR WETLANDS IS SUBJECT TO U.S. CORPS OF ENGINEERS PERMITTING CONDITIONS. ANY MATERIAL BURIED OR STOCKPILED BEYOND APPROVED CONSTRUCTION LIMITS WOULD REQUIRE ADDITIONAL ARCHAEOLOGICAL INVESTIGATIONS UNLESS BURIED IN A PREVIOUSLY APPROVED BORROW LOCATION.
- CONTRACTOR WILL BE REQUIRED TO PROVIDE A MINIMUM ADVANCE NOTICE OF FORTY-EIGHT(48)HOURS TO UTILITY COMPANIES PRIOR TO STARTING ANY EXCAVATION AS FOLLOWS:
 KANSAS ONE CALL 1-800-344-7233 or 687-2470(LOCAL WICHITA)
 THE CONTRACTOR MUST NOTIFY THE FOLLOWING IN CASE OF AN EMERGENCY:
 Cox Cable 262-4270 or 263-2061
 SBC 1-571-2511
 Kansas Gas Service 832-3168
 Westar Energy 264-1141
 Aquila 942-8511
 City of Wichita(Water & Sewer) 268-4555
 THE CONTRACTOR SHALL NOTIFY PIPELINE COMPANIES AT LEAST 24 HOURS IN ADVANCE OF ANY WORK BEING PERFORMED ACROSS AND/OR ADJACENT TO PIPELINES.
- TREES AND SHRUBS IN PUBLIC RIGHT-OF-WAY WHICH ARE IN DIRECT CONFLICT WITH PROPOSED NEW CONSTRUCTION SHALL BE REMOVED BY THE CONTRACTOR WITH THE ENGINEERS APPROVAL. TREES AND SHRUBS WHICH ARE NOT IN DIRECT CONFLICT WITH PROPOSED NEW CONSTRUCTION SHALL BE SAVED AND PROTECTED FROM DAMAGE.
- THE CONTRACTOR SHALL BE RESPONSIBLE FOR PRESERVING PROPERTY IRONS. THE CONTRACTOR WILL BE REQUIRED TO REESTABLISH ANY PROPERTY IRONS WHICH ARE DAMAGED OR DESTROYED BY HIS CONSTRUCTION OPERATIONS. SUCH IRONS SHALL BE REESTABLISHED BY A LICENSED LAND SURVEYOR IN ACCORDANCE WITH STATE LAWS.
- THE CONTRACTOR SHALL GIVE ALL PROPERTY OWNERS AND/OR TENANTS OF DEVELOPED PROPERTY DIRECTLY ADJUTING THE CONSTRUCTION OF THIS PROJECT A MINIMUM OF TEN(10) DAYS ADVANCE NOTICE PRIOR TO START OF CONSTRUCTION.
- THE WATER DEPARTMENT SHALL FIELD LOCATE WATER VALVES ONE TIME DURING CONSTRUCTION WHEN REQUESTED BY THE CONTRACTOR. IT SHALL BE THE CONTRACTORS RESPONSIBILITY TO PRESERVE SUCH FIELD LOCATIONS DURING THE CONSTRUCTION PROCESS. WATER VALVES, WATER VALVE BOXES, OR FIRE HYDRANTS DAMAGED DURING CONSTRUCTION SHALL BE REPAIRED BY THE CONTRACTOR AT HIS OWN EXPENSE.
- THE CONTRACTOR MUST EXAMINE THE CONSTRUCTION SITE PRIOR TO BIDDING AND BE SATISFIED AS TO THE WORK SHOWN FOR COMPLETION. AFTER BIDS HAVE BEEN RECEIVED, THE CONTRACTOR SHALL NOT ASSERT THAT THERE WAS A MISUNDERSTANDING OF THE QUANTITIES OF WORK OR OF THE NATURE FOR THE WORK TO BE COMPLETED.
- CONTRACTOR SHALL NOT START WORK ON THE PROJECT UNTIL THE PROJECT INSPECTOR IS ASSIGNED TO THE PROJECT AND IS PRESENT ON THE SITE. ANY WORK DONE WITHOUT INSPECTION WILL BE REQUIRED TO BE UNCOVERED FOR INSPECTION.
- ALL CONSTRUCTION AND MATERIALS, UNLESS OTHERWISE NOTED, TO COMPLY WITH CITY OF WICHITA SPECIFICATIONS AND STANDARDS.
- THE CONTRACTOR SHALL RESTORE ALL DITCHES, SWALES, ROAD SHOULDERS, ENTRANCES AND BANK LINES TO THEIR ORIGINAL SLOPES AND GRADES EXCEPT AS SHOWN OTHERWISE.
- PROPERTIES WITHIN THE PROJECT LIMITS MAY HAVE UNDERGROUND SPRINKLER SYSTEMS IN THE PUBLIC RIGHT-OF-WAY WHICH CONFLICT WITH NEW CONSTRUCTION. CONTRACTOR WILL BE REQUIRED TO REMOVE SUCH IMPROVEMENTS SHOULD THEY NOT BE REMOVED BY THEIR OWNER AT THE TIME OF CONSTRUCTION OF THE PROJECT. THE CONTRACTOR WILL BE REQUIRED TO SALVAGE ALL SPRINKLER HEADS AND/OR VALVES AND GIVE SUCH MATERIAL TO THEIR OWNER. PORTIONS OF UNDERGROUND SPRINKLER SYSTEMS NOT IN CONFLICT WITH NEW CONSTRUCTION SHALL BE PROTECTED FROM DAMAGE AND SHALL REMAIN IN PLACE. ALL WORK IN CONNECTION WITH UNDERGROUND SPRINKLER SYSTEMS SHALL BE CONSIDERED AS SUBSIDIARY TO THE CONTRACT PAY ITEMS OF WORK.
- ALL PROPOSED STUBS AND PLUGGED PIPES SHALL BE LOCATED WITH GREEN PLASTIC TAPE.
- PRIOR TO LAYING THE NEW SEWER LINES THE CONTRACTOR SHALL EXPOSE AND VERIFY THE ELEVATION, GRADE AND ALIGNMENT OF THE EXISTING SANITARY SEWER AND NOTIFY THE ENGINEER OF ANY DISCREPANCIES FROM THE PLAN.
- ALL PIPE JOINTS SHALL BE LAID AND PUSHED 'FULL HOME' WITH THE BEVELED END OF THE SPIGOT MAKING FULL CONTACT WITH THE CHAMFERED AREA AT THE THROAT OF THE BELL OR SOCKET, WITH NO SEPARATION BETWEEN THEM. IF SEPARATION IS DETERMINED, THE PIPE SHALL BE EXCAVATED AND RE-LAID ACCORDING TO SPECIFICATIONS AT THE CONTRACTOR'S EXPENSE.
- AT LEAST 24 HOURS BEFORE CONNECTING NEW SEWER PIPE TO THE EXISTING SEWAGE SYSTEM, THE CONTRACTOR SHALL CONTACT THE CITY OF WICHITA SEWER DEPARTMENT (268-4024). THE CONTRACTOR SHALL KEEP ANY CONSTRUCTION DEBRIS FROM ENTERING THE EXISTING SANITARY SEWER DURING CONSTRUCTION. TO PREVENT WATER OR DEBRIS FROM ENTERING THE EXISTING SEWER, A MECHANICAL PLUG SHALL BE INSTALLED AND MAINTAINED TO ISOLATE THE EXISTING SEWER FROM THE NEW CONSTRUCTION UNTIL THE NEW CONSTRUCTION IS CLEANED, TELEVIEWED AND HAS BEEN ACCEPTED. THE WATER USED FOR CLEANING SHALL NOT BE ADDED TO THE FLOW OF THE EXISTING SEWER. THE CLEANING OR OTHERWISE ACCUMULATED WATER SHALL BE PUMPED OR OTHERWISE REMOVED PRIOR TO TELEVIEWING.
- THE CONTRACTOR SHALL CONTAIN HIS OPERATIONS TO PERMIT TRAFFIC THROUGH AND ACROSS CONSTRUCTION AT EXISTING ROADWAYS AT ALL TIMES. THE CONTRACTOR SHALL ERECT WARNING SIGNS, FLASHING LIGHTS, AND BARRICADES IN COMPLIANCE WITH THE MANUAL ON UNIFORM TRAFFIC CONTROL DEVICES TO ENSURE SAFETY AS DIRECTED IN THE GENERAL CONDITIONS. THE CONTRACTOR SHALL LIMIT THE EXTENT OF TRENCH TO REMAIN OPEN OVERNIGHT AND WEEKENDS TO LESS THAN 50 FEET.
- SEEDING AND FERTILIZING OF ALL AREAS DISTURBED BY THE CONSTRUCTION OF THE SANITARY FOR "SEEDING AND LUMP SUM SEWER, AS SHOWN ON THE PLANS SHALL BE PAID FOR AS A FERTILIZING.
- THE CONTRACTOR SHALL PROVIDE POSITIVE DRAINAGE AWAY FROM ALL MANHOLE COVERS.

SANITARY SEWER EXTENSION

LOCATED IN LOT 1 DE WITT 4TH ADDITION AT PAWNEE AND WEST STREET WICHITA, KANSAS

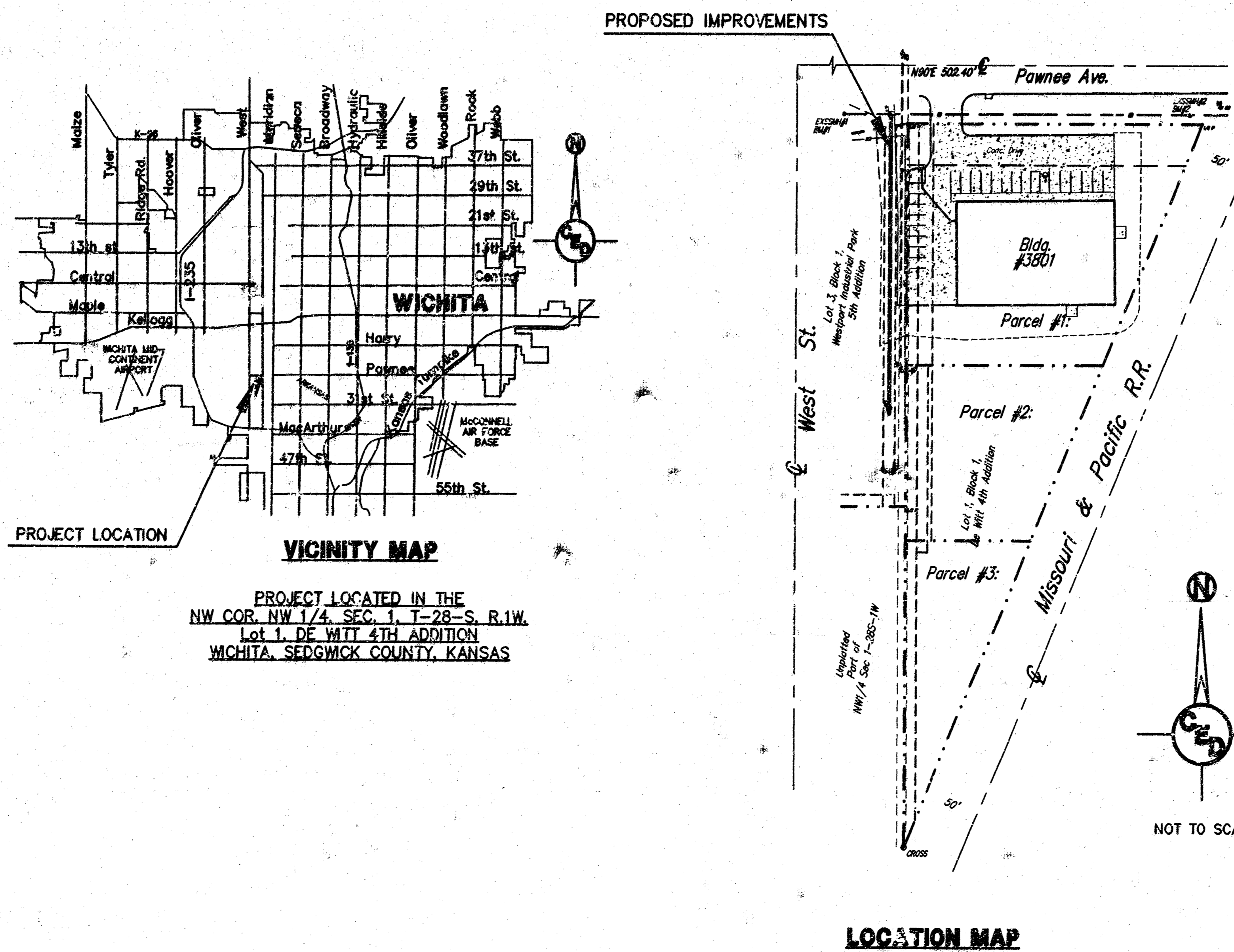
COW PRIV. PROJ. NO. 1455 PPS(607861) JIM ARMOUR, P.E., CITY ENGINEER MAY 2004

INDEX OF SHEETS

1.	Title Sheet
2.	SS Plan & Profile
3.	Standard/Shallow MH Details
4.	Backfill Details

SUMMARY OF SANITARY SEWER QUANTITIES

DESCRIPTION	QUANTITY	UNIT
SITE CLEARING AND RESTORATION	1	LUMP SUM
8" SANITARY SEWER IN PLACE	250	LN. FT.
TYPE A OR P SHALLOW MANHOLE(0'-7"X4' DIA.)	2	EACH
6'-8' TRENCH AND BACKFILL	250	LN. FT.
FERTILIZING, SEEDING AND MULCHING	1	LUMP SUM
CONTRACTOR CONSTRUCTION STAKING	1	LUMP SUM



*Mies-Contractor
Robert Previterra,
Raisa Goodness, Inspector
Released 9/1/04
pdf by JDL*

APPROVED AS NOTED
BY CITY ENGINEER OF WICHITA

Sanitary Sewers IRH 6/23/04

Storm Sewers _____

Driveway Approaches _____

Water Mains _____

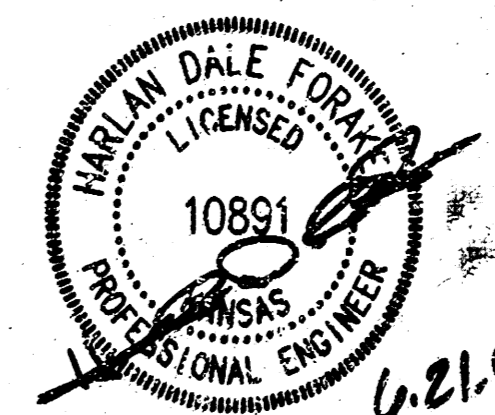
Paving _____

NOTE TO CONTRACTOR

INSPECTION AND TESTING FOR THIS PROJECT IS TO BE PROVIDED BY A LICENSED CONSULTING ENGINEERING FIRM UNDER CONTRACT WITH THE OWNER/DEVELOPER. SAID INSPECTION TO BE IN ACCORDANCE WITH THE CITY OF WICHITA STANDARD CONSTRUCTION ENGINEERING PRACTICES AND CERTIFIED BY A LICENSED PROFESSIONAL ENGINEER. NO WORK SHALL BE PERFORMED IN DEDICATED EASEMENTS OR THE PUBLIC RIGHT-OF-WAY BY THE CONTRACTOR WITHOUT SUCH INSPECTION NOR SHALL ANY WORK BE COMMENCED IN DEDICATED EASEMENTS OR PUBLIC RIGHT-OF-WAY WITHOUT WRITTEN AUTHORIZATION BY THE CITY ENGINEER.

BM#1: Top of Rim of ExSSMH#1, South of Pawnee and East of West Street at N 20,008.15, E 19,943.02. Elevation 105.44 City Datum, (per survey)

BM#2: Top of Rim of ExSSMH#2, South of Pawnee and East of West Street at N 20,007.72, E 20,255.04. Elevation 106.15 City Datum, (per survey)



PROJ. NO.: PPS-1455/20031092

CERTIFIED ENGINEERING DESIGN, P.A.

CED 810 WEST DOUGLAS, SUITE C WICHITA, KANSAS 67203
PH: (316) 262-8808 FAX: (316) 262-1989

SHEET 1
TOTAL 4

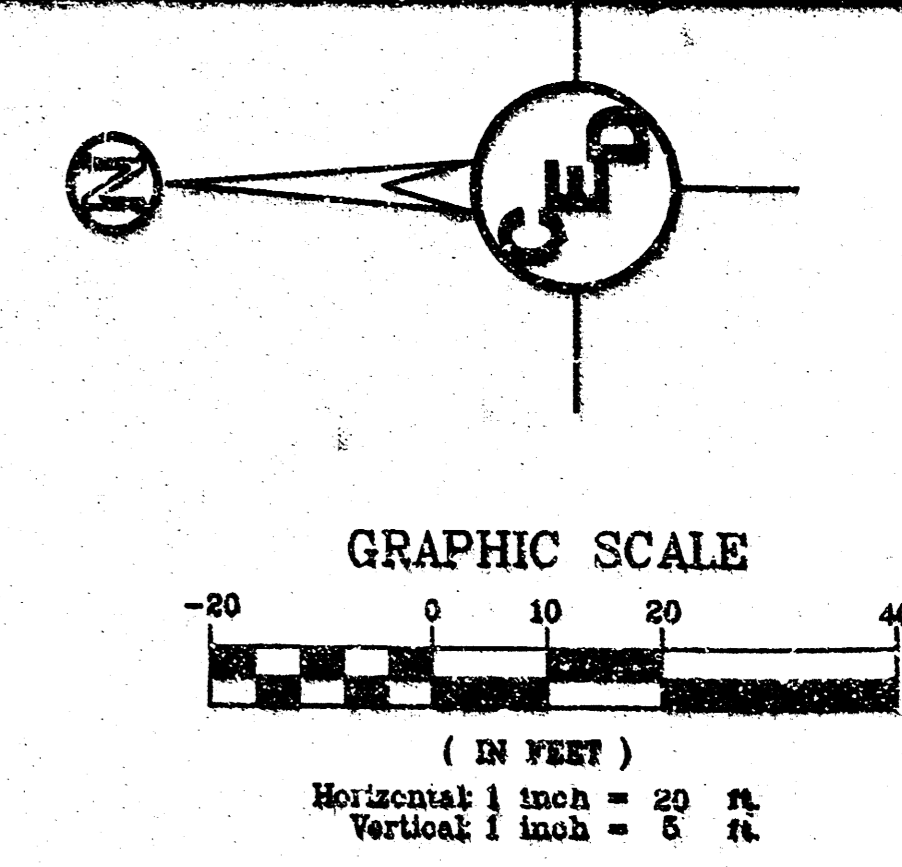
AS CONSTRUCTED 8-27-04

NOTE:
Location of all utilities shown on this drawing, reflect the best information available from field observation and topo survey. Before beginning any excavation on this site, contact the appropriate utility companies for verification of the utility locations.
Kansas One-Call 887-2470

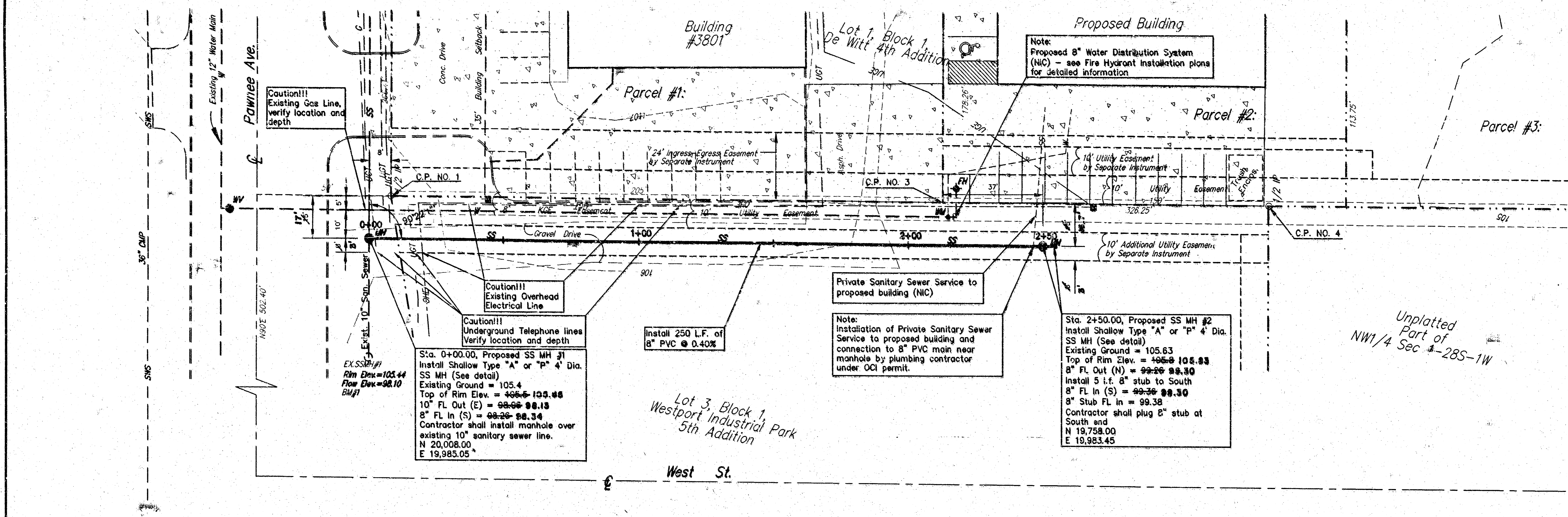
UTILITIES SHOWN REPRESENT THE BEST INFORMATION AVAILABLE FOR DESIGN. ADDITIONAL UTILITIES MAY BE PRESENT ON THIS PROJECT. THE CONTRACTOR SHALL BE RESPONSIBLE FOR DETERMINING THE EXACT LOCATION, DEPTH AND SIZE OF ALL UNDERGROUND UTILITIES PRIOR TO CONSTRUCTION. THE CONTRACTOR SHALL BE LIABLE FOR ANY DAMAGE CAUSED BY THE FAILURE TO DO SO.

SURVEY DISCLAIMER:
TOPOGRAPHIC SURVEY AND CONTOUR MAP USED IN PREPARING PLANS WAS PROVIDED BY SAVOY COMPANY, P.A., 535 S. EMPORIA, SUITE 104, WICHITA, KS. ENGINEER DOES NOT GUARANTEE SURVEY ELEVATIONS FOR ACCURACY. CONTRACTOR SHALL VERIFY ELEVATIONS AND NOTIFY ENGINEER OF ANY DISCREPANCIES.

BM #1: Top of Rim at ExSSMH#1, South of Pawnee and East of West Street at N 20,078.15, E 19,943.02. Elevation 105.44 City Datum, (per survey)
BM #2: Top of Rim at ExSSMH#2, South of Pawnee and East of West Street at N 20,007.72, E 20,255.04. Elevation 106.15 City Datum, (per survey)

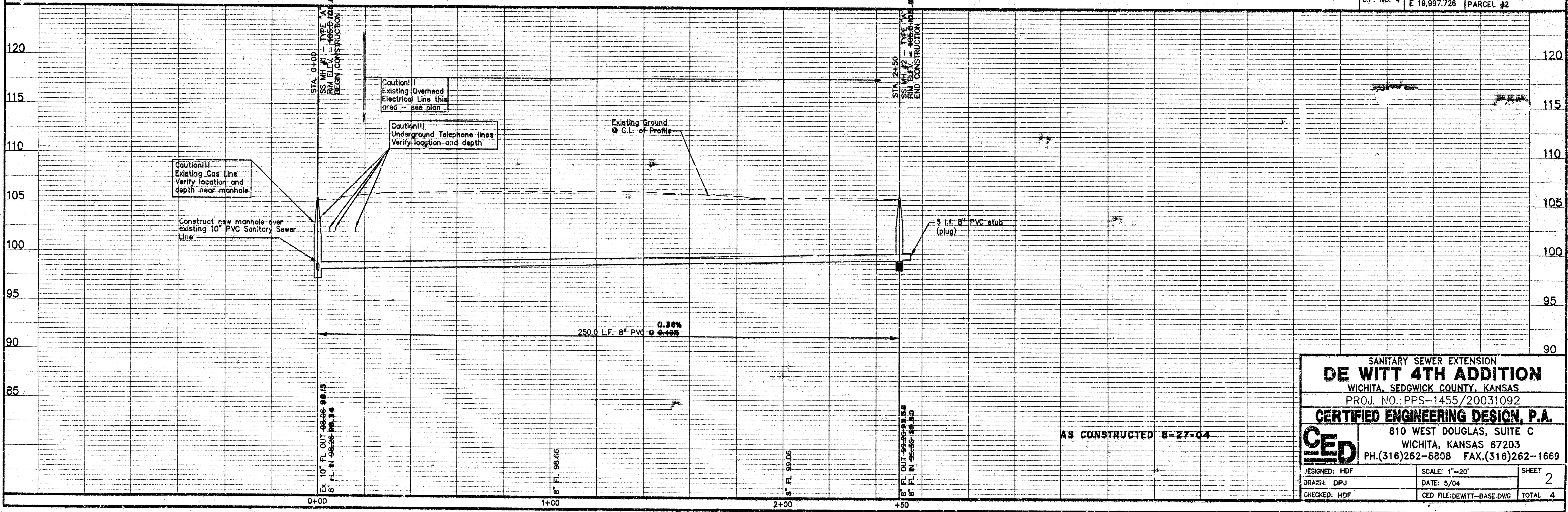


- SURVEY MARKER LEGEND**
- 3/4" IRON PIPE W/MHEC CAP (FOUND)
 - 5/8" REBAR W/MHEC CAP (FOUND)
 - 5/8" STEEL PIN (FOUND)
 - 1/2" REBAR W/RLS 350 CAP (FOUND)
- LEGEND**
- W = WATER MAIN
 - SWS = STORM WATER SEWER
 - UGT = UNDER GROUND TELEPHONE
 - UGFO = UNDER GROUND FIBER OPTIC
 - C.O. = CLEAN OUT
 - CATV = CABLE TELEVISION PEDESTAL
 - F.H. = FIRE HYDRANT
 - ICV = IRRIGATION CONTROL VALVE
 - L.P. = LIGHT POLE
 - 4 = SIGN
 - W.V. = WATER VALVE
 - TRANS = ELECTRIC TRANSFORMER
 - SWS M.H. = STORM WATER SEWER MANHOLE
 - FO M.H. = FIBER OPTIC MANHOLE



HORIZONTAL CONTROL POINTS

C.P. NO.	N	E	1/2" IRON PIN	COR.
C.P. NO. 1	20,000.000	20,000.000	1/2" IRON PIN	NW COR. PARCEL #1
C.P. NO. 2	20,000.000	20,266.414	1/2" IRON PIN	NE COR. PARCEL #1
C.P. NO. 3	19,795.000	19,998.687	1/2" IRON PIN	NW COR. PARCEL #2
C.P. NO. 4	19,645.000	19,997.726	1/2" IRON PIN	SW COR. PARCEL #2



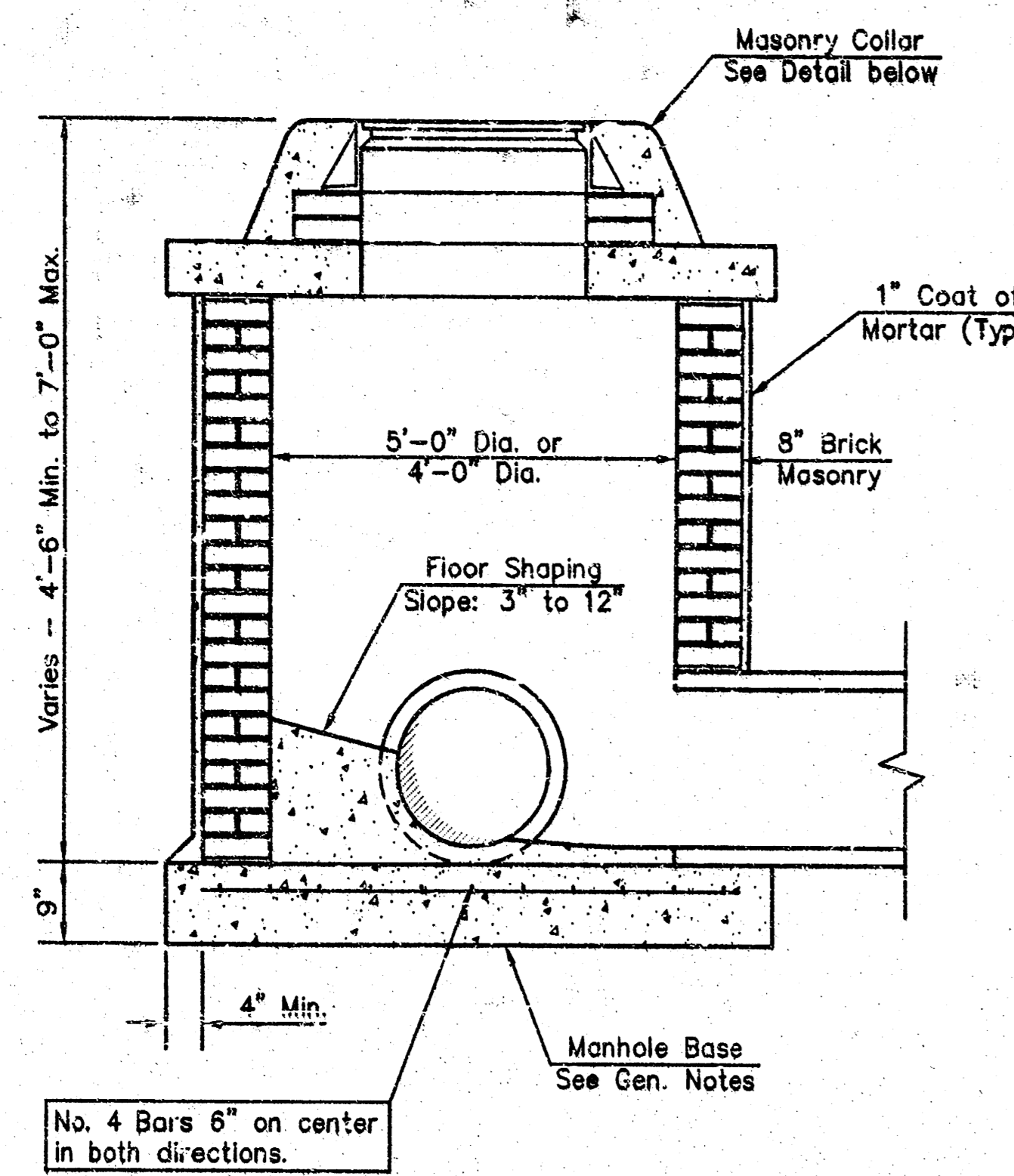
SANITARY SEWER EXTENSION
DE WITT 4TH ADDITION
WICHITA, SEDGWICK COUNTY, KANSAS
PROJ. NO.: PPS-1455/20031092

CERTIFIED ENGINEERING DESIGN, P.A.

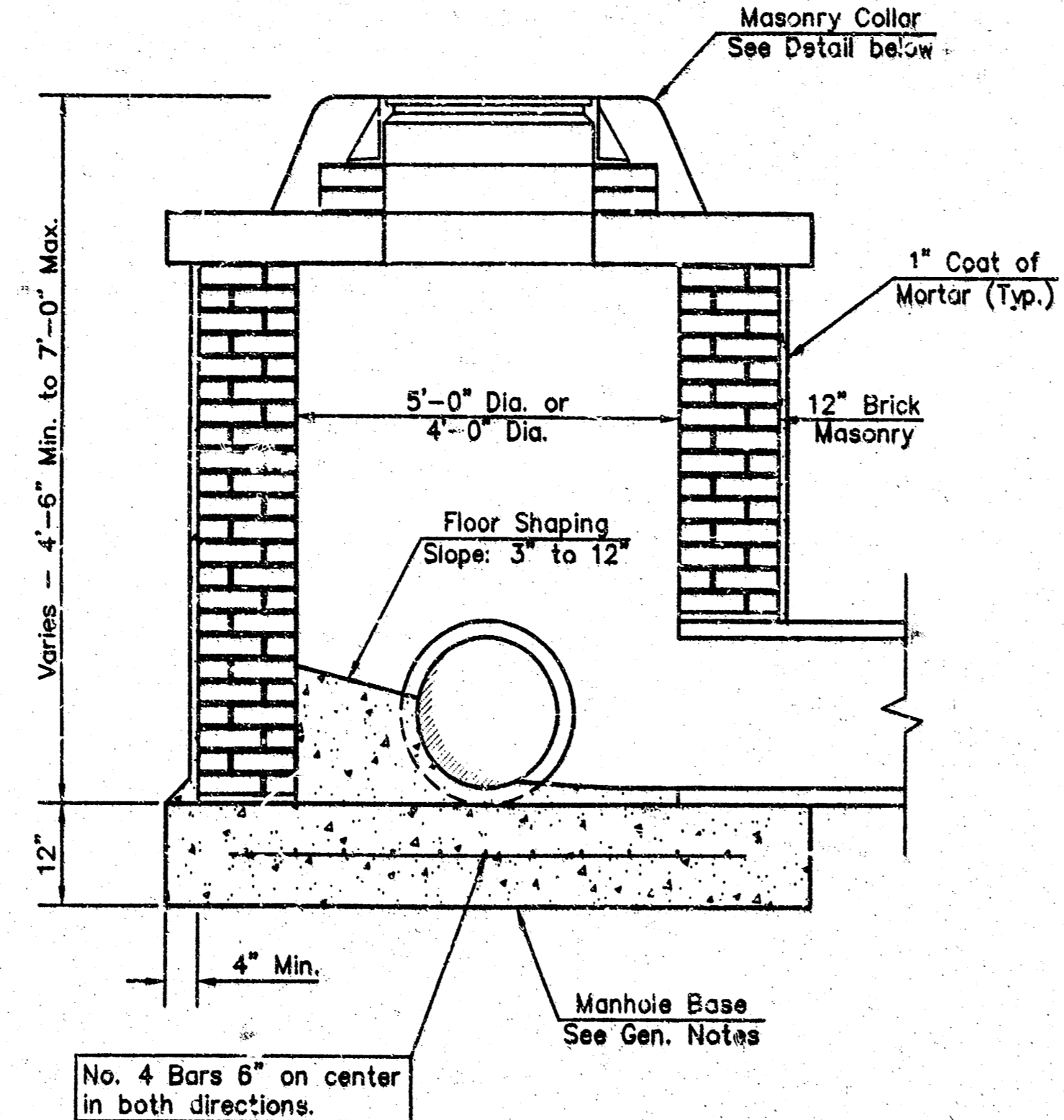
810 WEST DOUGLAS, SUITE C
WICHITA, KANSAS 67203
PH.(316)262-8808 FAX.(316)262-1669

DESIGNED: HDF	SCALE: 1"=20'	SHEET
DRAWN: DPJ	DATE: 5/04	2
CHECKED: HDF	CD FILE: DEWITT-BASE.DWG	TOTAL 4

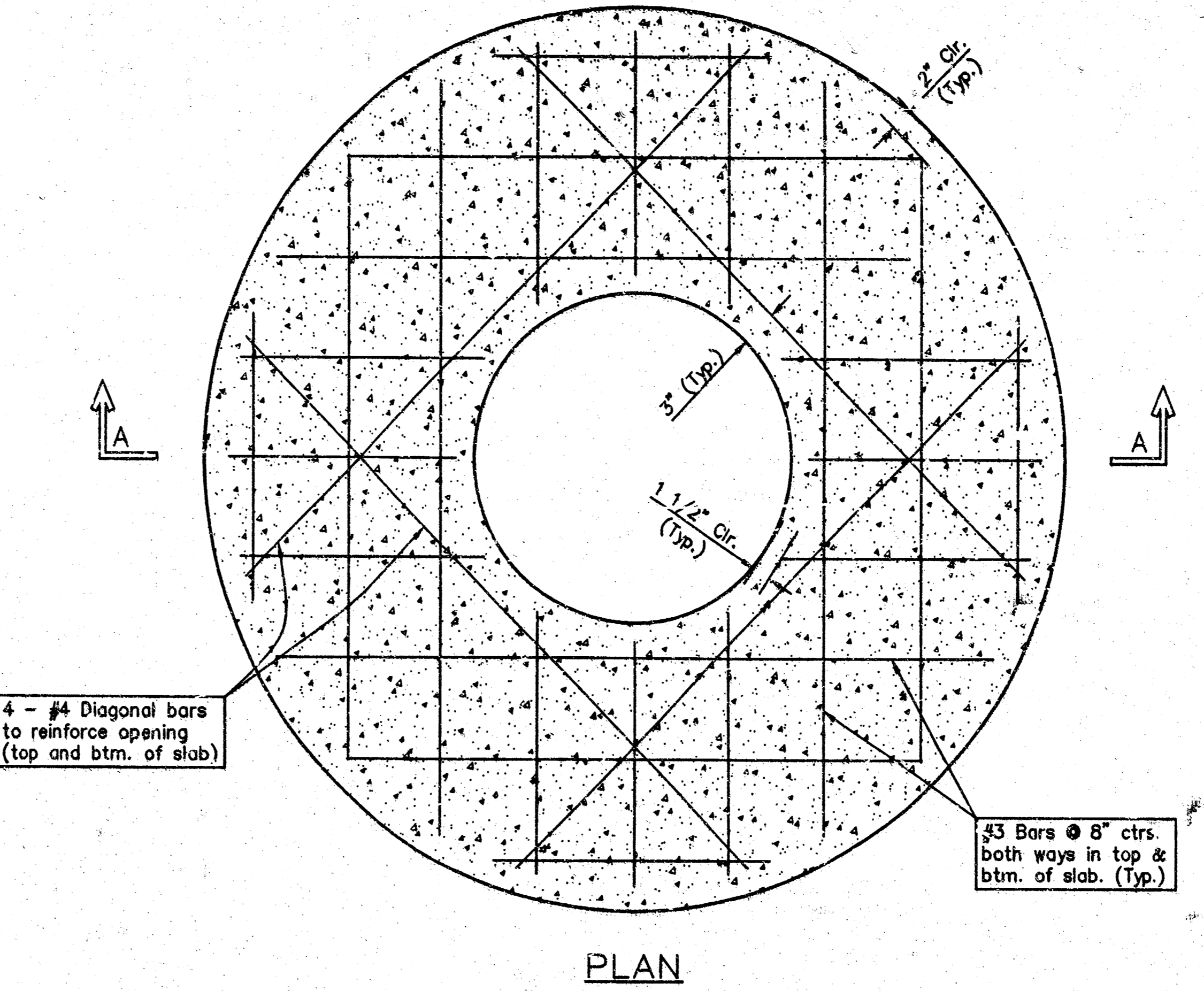
AS CONSTRUCTED 8-27-04



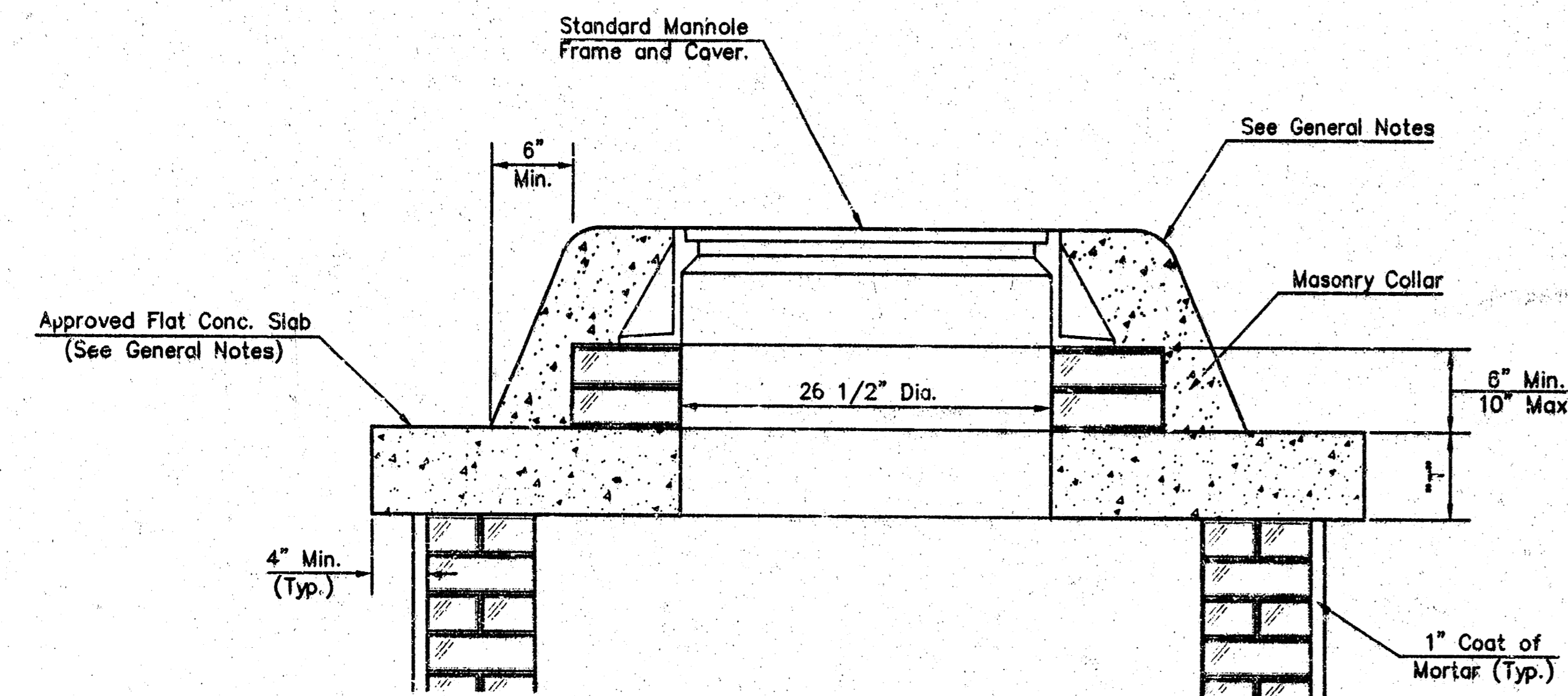
SHALLOW TYPE "A" MANHOLE



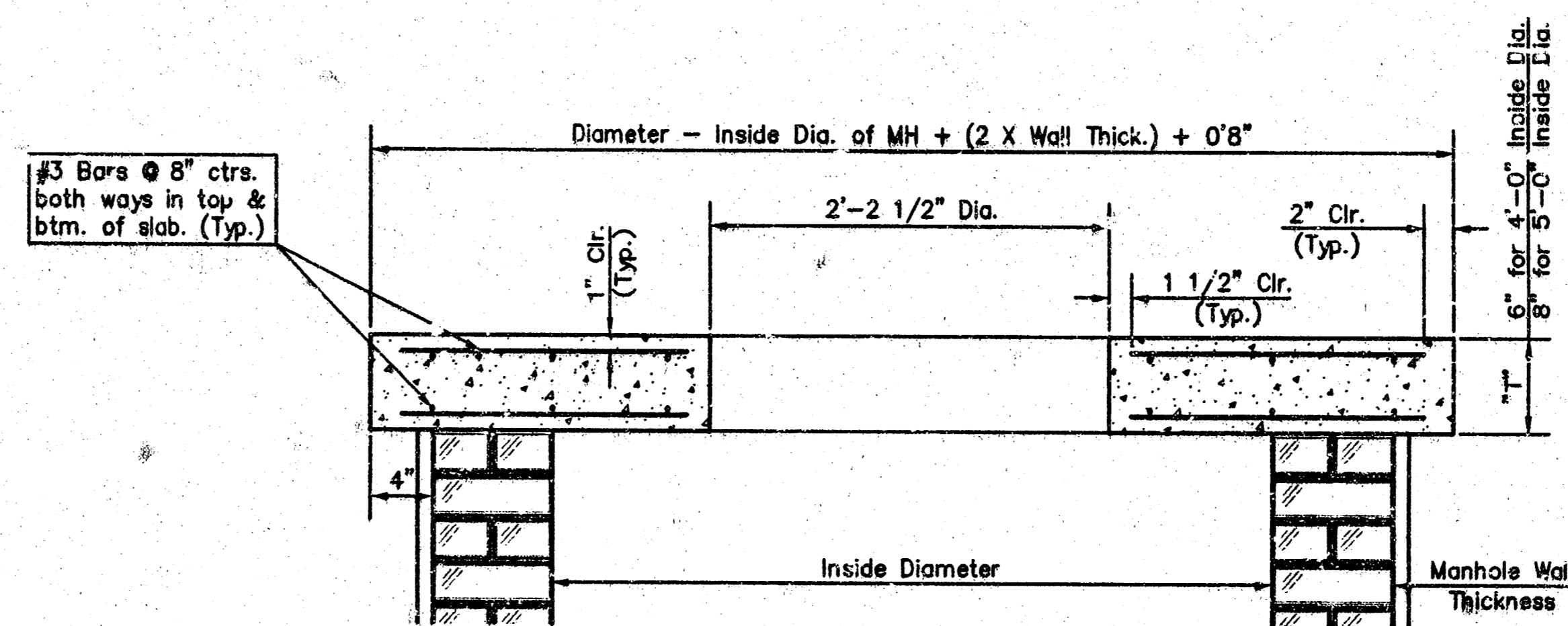
SHALLOW TYPE "B" MANHOLE



PLAN

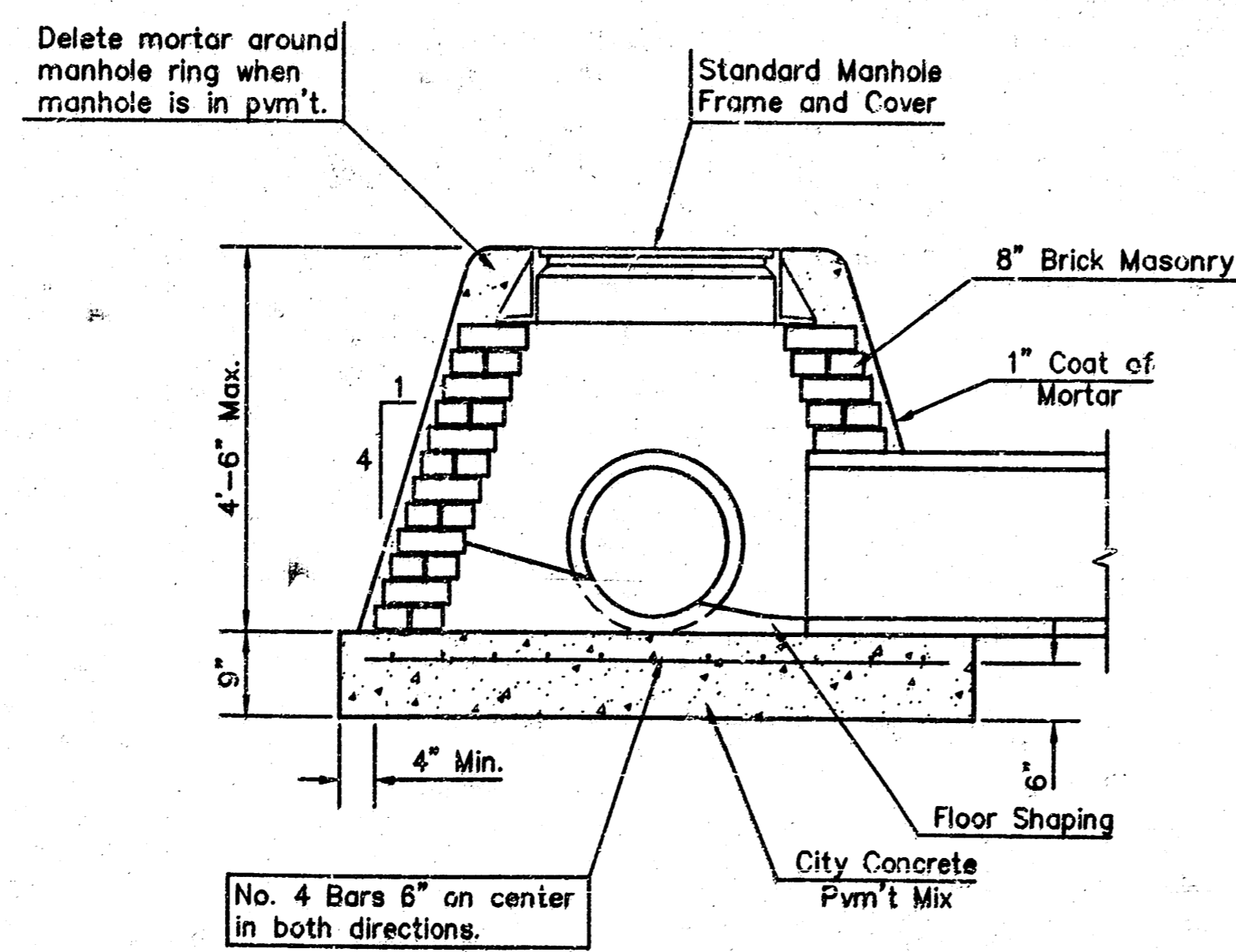


MASONRY COLLAR DETAIL

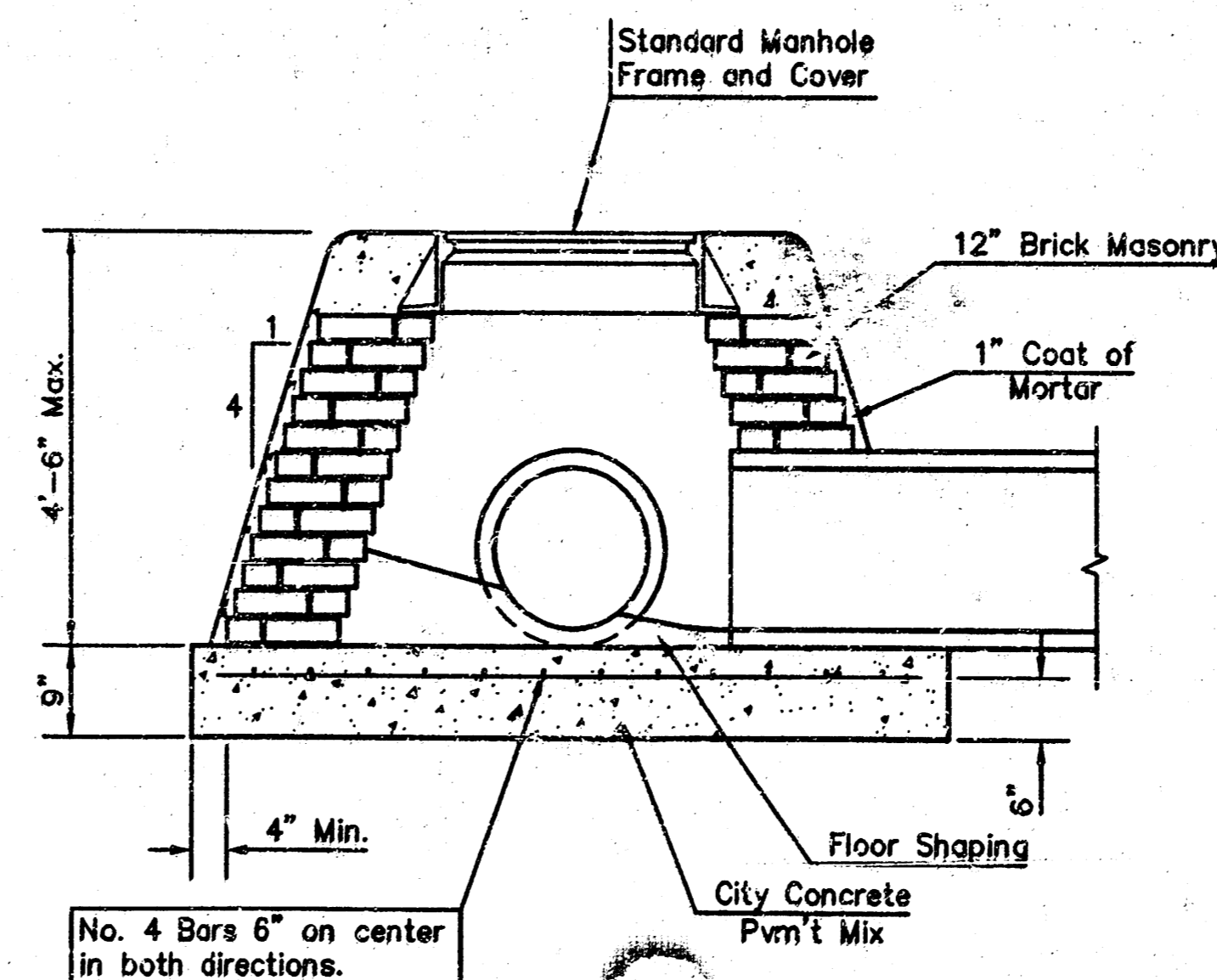


SECTION A-A

FLAT CONCRETE SLAB DETAILS



SPECIAL SHALLOW TYPE "A" MANHOLE



SPECIAL SHALLOW TYPE "B" MANHOLE

GENERAL NOTES

- Mortar used in masonry construction shall contain 9 sacks of cement per cubic yard. Concrete used in manhole bases shall conform to the requirements of concrete for concrete pavement construction as specified in the city standard paving specifications using city concrete cement mix without air entraining admixture. Mortar shall be placed around the manhole ring as shown on the drawings when manholes are constructed in unpaved areas. Type "A" shallow manholes can be used on sewers when the manhole is not located within public street pavement. Manholes constructed where pipe sizes are smaller than 24" shall have an inside diameter of 4". Manholes constructed where pipe sizes are 24" or larger shall have an inside diameter of 5". Completed manhole shall be without leaks and water tight.
- Reinforcing steel shall be installed in the manhole bases and shall consist of no. 4 bars placed on 6" centers in both directions. The manhole base reinforcement shall be placed 6" above the bottom of the manhole base. All costs for furnishing and installing reinforcing steel shall be included in the unit price bid for the manhole.
- The floors of all manholes shall be shaped with flow channels such that the manholes will be self cleaning and free of areas where solids could be deposited as sewage flows through the manhole from all inlet pipes to the outlet pipe. Flow channels shall be formed to match the bottom halves of the inflowing pipe and the outflowing pipe as shown by the drawings. Manhole floors shall have slopes of 3 inches per foot in the areas outside of the flow channels sloped toward the flow channels. Pipes laid through manholes shall have the top half removed to neat lines for the full inside diameter of the manhole. Manhole floors shall then be shaped around the bottom half of the pipe which forms the flow channel.
- Pipes installed within the excavation made for the manhole shall be cradled with concrete to the limits of the manhole excavation. When clay pipe is used, the cradle shall extend to the first joint outside the manhole. The cradle shall be terminated at the clay pipe joint in a manner which will maintain the flexibility of the joint. Cost of cradle within manhole excavation or to clay pipe joints adjacent to manhole shall be included in the unit price bid for the manhole.
- Manhole cover castings and manhole frame castings shall conform to the requirements as indicated in the standard specifications and as shown in the standard detail drawings.
- The crowns of inflowing pipes shall never be set lower than the crown of the outflowing pipe.
- Standard shallow manholes type "A" and "B" shall be paid for at the unit price bid per each for the type and diameter indicated. Standard special shallow manholes type "A" and "B" shall be paid for at the unit price bid per each for the type indicated. All standard shallow manhole diameters will be 4' unless indicated otherwise.
- All brick used in masonry construction shall meet Grade SW of ASTM C652 or C62-87.

AS CONSTRUCTED 8-27-04



STANDARD/SPECIAL
SHALLOW MANHOLES
TYPE 'A' & 'B'

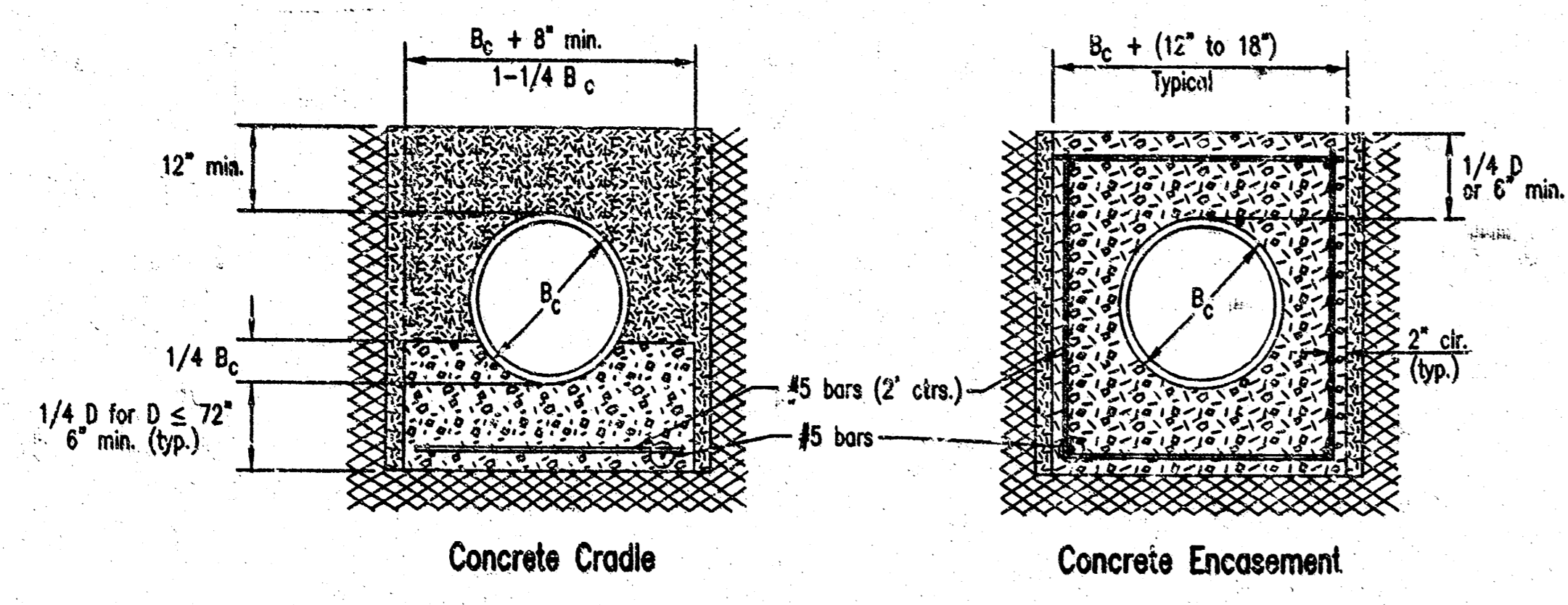
CH AMOUR, P.E. - CITY ENGINEER

PROJECT NUMBER: 770-148/25021002

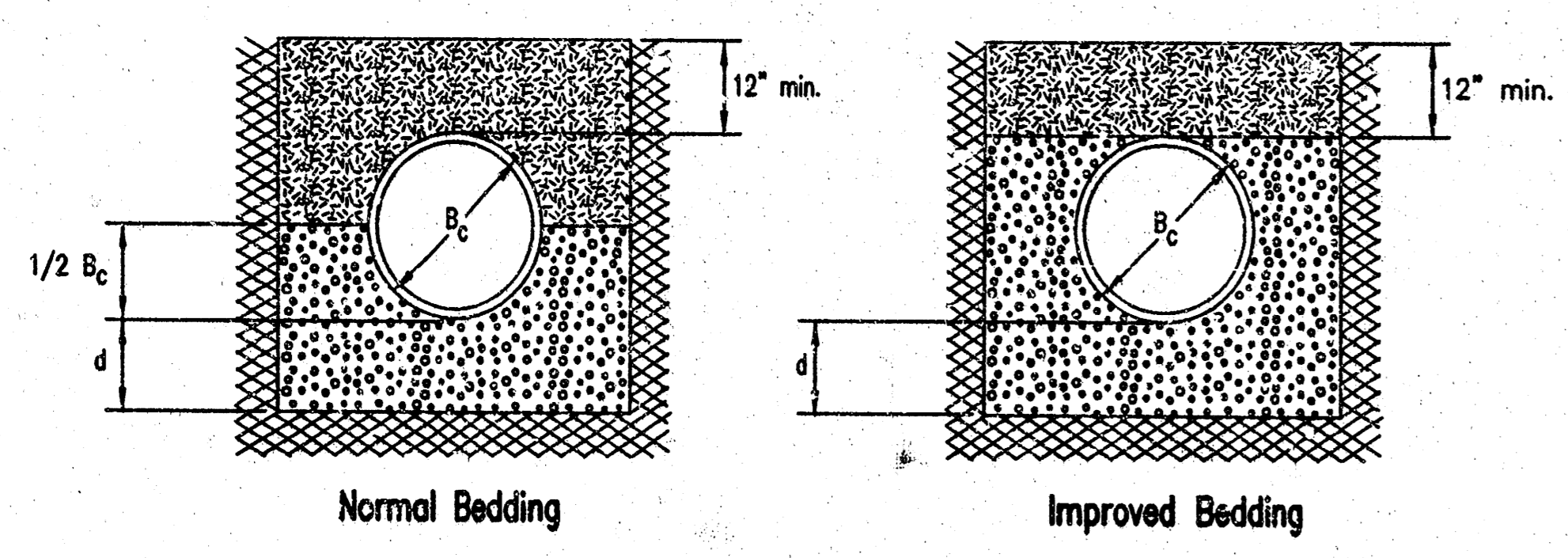
DATE: 8/04

SHEET 3 OF 4

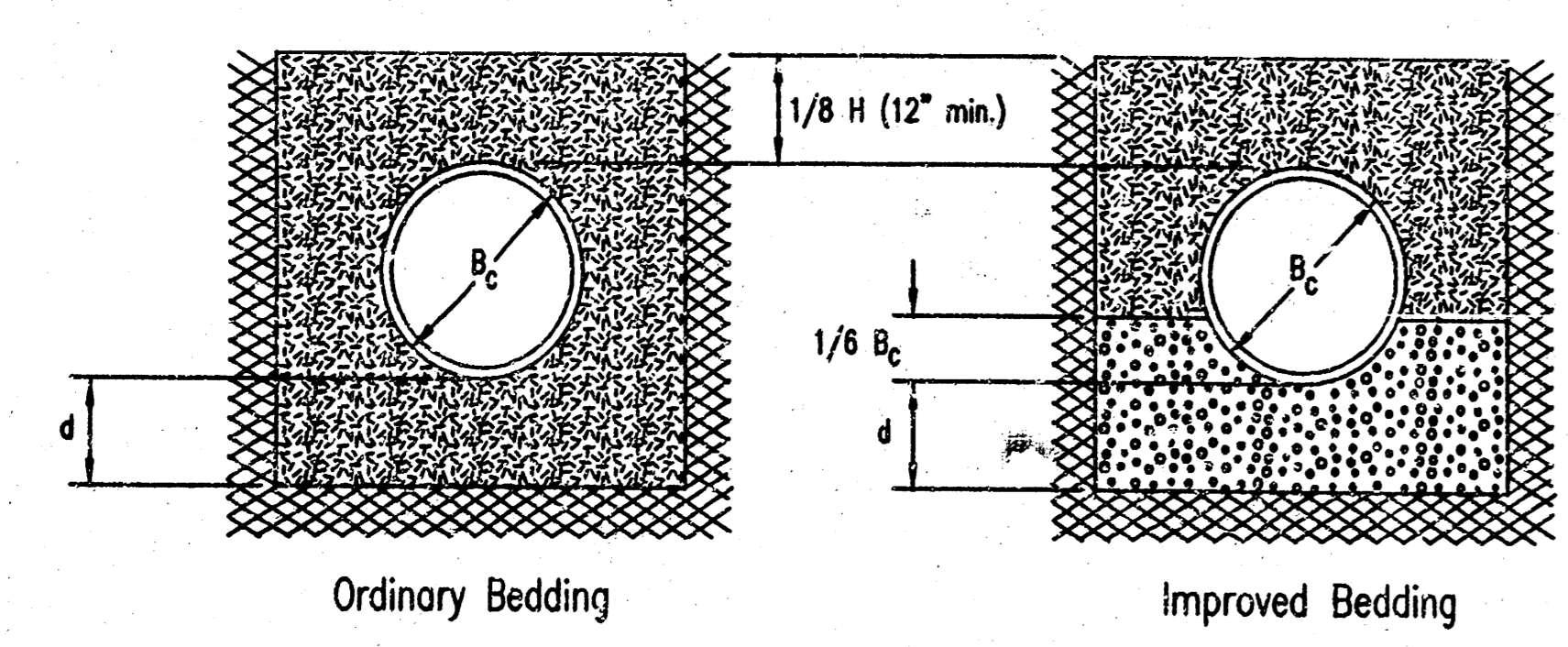
SHLW.MH.DWG



CLASS A



CLASS B



CLASS C

PIPE ZONE BACKFILLING

- B_c = Outside Pipe Diameter
- H = Backfill from top of Pipe to Existing Ground
- D = Inside Pipe Diameter
- d = Depth of Bedding Material Below Pipe
- = Granular Bedding Material or Sand-Gravel Bedding
- = Compacted Embedment
- = Concrete

Depth of Bedding Material Below Pipe		
D #	d(min) Soil	d(min) Rock
27" & smaller	4"	6"
30" to 60"	5"	9"
66" & larger	6"	12"

Granular Bedding Material shall be an approved material consisting of durable crushed rock conforming with the requirements of the latest revision of ASTM C-33 Size No. 67 (3/4" to No. 4); to be placed in not more than 6" layers and compacted by slicing with a shovel or vibrating. Soundness, abrasion, and absorption limits shall be as required for coarse aggregates in Section 03010-Concrete Work in the specifications.

Sand-Gravel Bedding Material - sand-gravel mix meeting Type UD-1 of the 1990 Kansas Standard Specifications for State Road and Bridge Construction.

Compacted Embedment shall be an approved sand material free from debris, organic material, and stones with 100% passing the 3/4" sieve to be placed in uniform layers not more than 6" thick and compacted to 95 percent maximum density as determined by ASTM D698. Granular Bedding Material may be substituted for all or part of Compacted Embedment Materials.

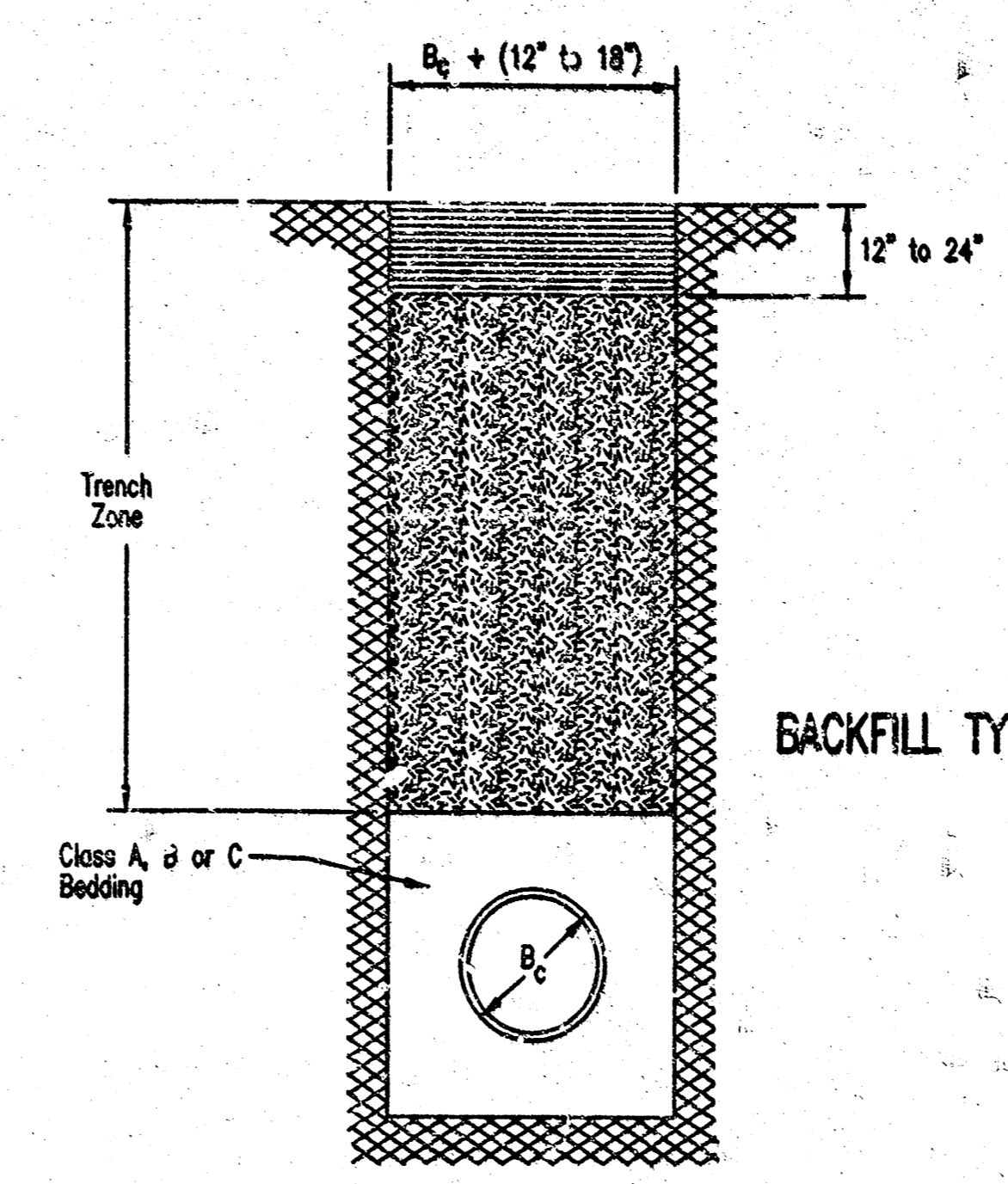
Class A "Concrete Cradle" and/or Class A "Concrete Encasement" is not required unless specified on the plans. However, where unexpected trench conditions exist or improper trenching is performed Class A Bedding may be required as determined by the Engineer.

Class B Bedding shall be used for all flexible pipe.

- a. Class B Normal Bedding shall be used for PVC Pipe unless wet conditions are encountered.
- b. Class B Improved Bedding shall be used for other flexible pipe, and for PVC pipe in wet conditions.

Class C Bedding shall be used for all rigid pipe.

- a. Class C Ordinary Bedding shall be used for all rigid pipe unless wet conditions are encountered.
- b. Class C Improved Bedding shall be used for wet conditions existing in the trench, as directed by the Engineer, at no additional cost to the Owner. The dimensions shall be equal to that required for "rock" excavation (see specifications).



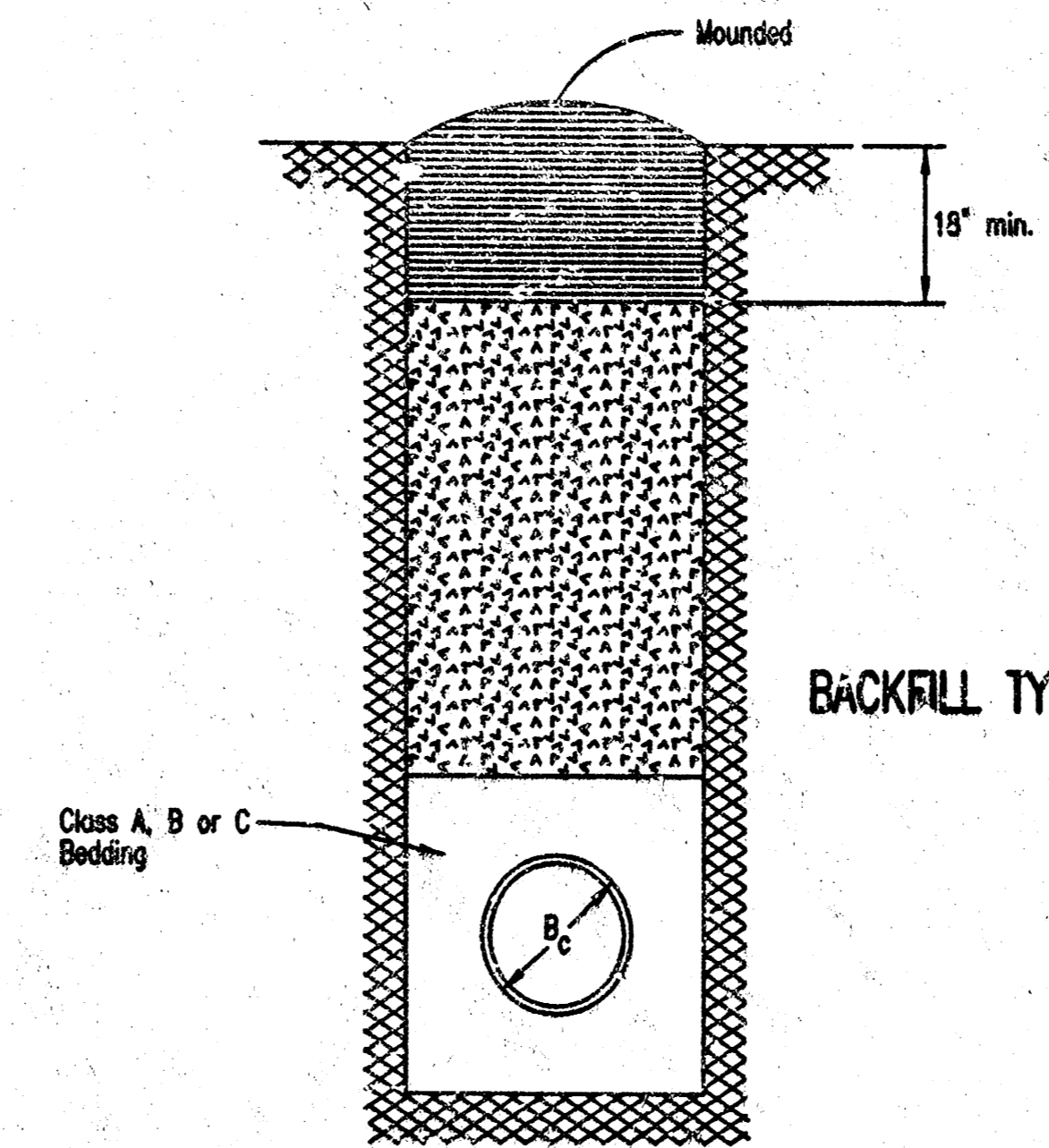
BACKFILL TYPE I

- B_c = Outside Pipe Diameter
- = Compacted Granular Backfill
- = Uncompacted Earth Backfill
- = Compacted Earth Backfill

Compacted Granular Backfill material shall be an approved sand material free from debris, organic material and stones with 100% passing the 3/4" sieve and not more than 15% passing a No. 200 sieve; to be jetted and mechanically vibrated into place and compacted to 95% density as determined by ASTM D698.

Uncompacted Earth Backfill material may be natural soil free from large clods or stones, brush, roots more than 2 inches in diameter, debris, and junk. Flooding with water shall be provided as directed by the Engineer.

Compacted Earth Backfill shall consist of material existing prior to trenching or selected material as directed by the Engineer, and shall be compacted to 90% density as determined by ASTM D698.



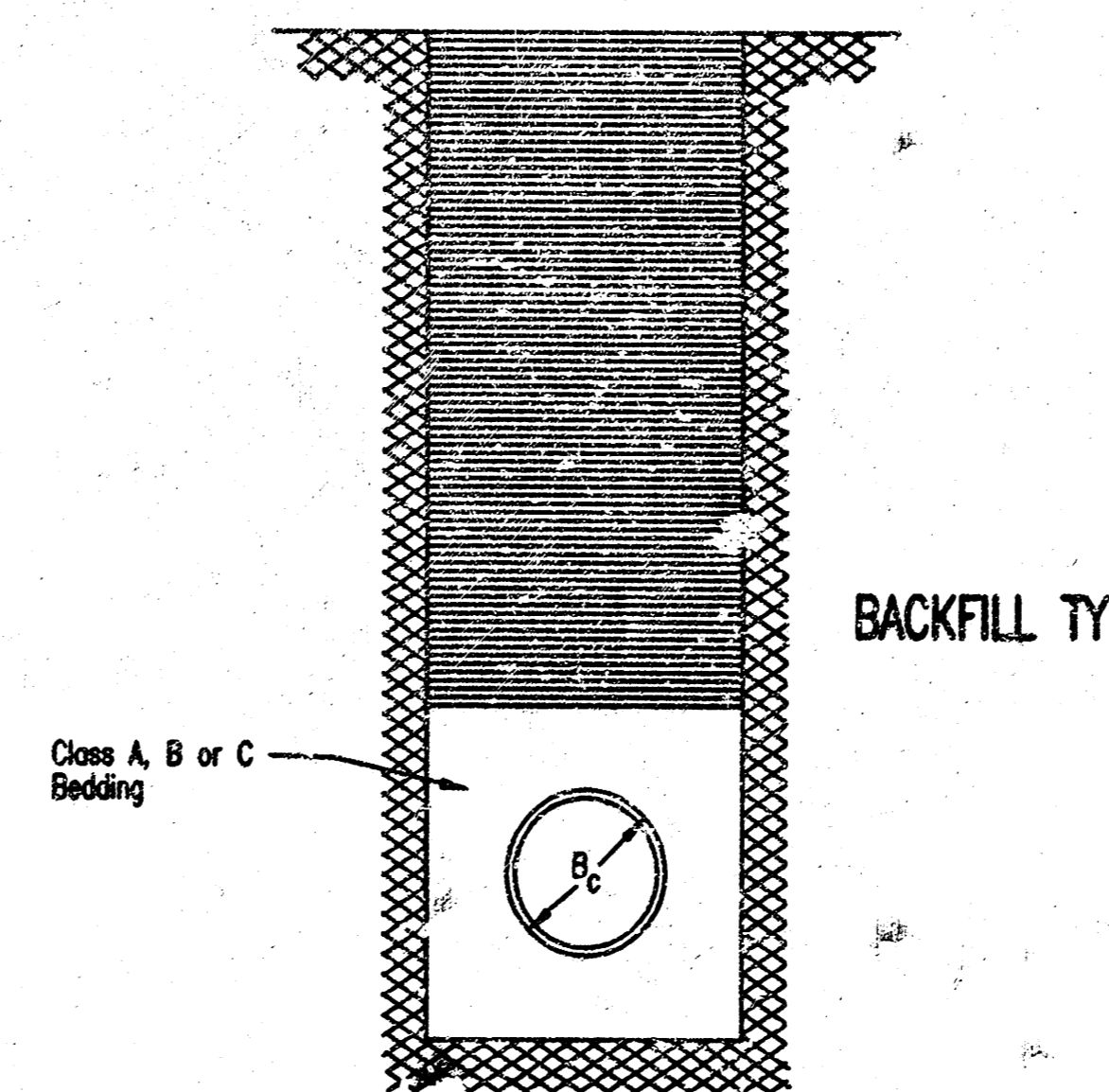
BACKFILL TYPE II

Backfill: Backfill material and compaction requirements shall conform to either Type I, Type II or Type III as specified in the plans. One year maintenance will be required on all backfill.

Backfilling Through Rock: Backfilling through rock shall be performed as specified in the paragraph Backfill above, except that the Pipe Zone is increased to provide eighteen (18) inches of cover over the pipe. When approved by the Engineer the remainder of the backfill may be excavated rock provided the excavated rock has been broken up so that earth and rock will thoroughly mix and not result in voids around the larger pieces of rock. Any excess rock remaining after the trench has been backfilled shall be removed or wasted as directed by the Engineer.

Backfilling Under Pavement: Backfilling under existing or proposed pavement shall be performed as Backfill Type I to a level of two (2) feet from the bottom of the pavement. The remainder of the trench shall be backfilled with selected material, sufficiently damp to be properly compacted in layers not exceeding six (6) inches in depth. Compaction shall be performed with mechanical tampers and continued until a relative density of 100 percent of standard density, in conformance with AS 4.698 is attained.

Backfilling Under Gravel Streets: Where the trench crosses or is in existing gravel surfaced streets, the backfill shall be compacted as provided in the paragraph "Backfilling Under Pavement".



BACKFILL TYPE III

TRENCH ZONE BACKFILLING

AS CONSTRUCTED 8-27-04

PPS-1455/20031092

BACKFILL DETAILS