

Bench Mark: City Disc, 29.5' E and 35.9' N of the Centerlines of 13th Street North and Sheridan, Elevation = 125.72

Bench Mark: Square Cut in Top of Curb, South Side of 13th Street North, 10' West of the N.W. Corner of Lot 2, H.F. Johnston Addition, Elevation = 127.85

APPROVED AS NOTED
BY CITY ENGINEER OF WICHITA

Sanitary Sewers URH 3/10/93

Storm Sewers _____

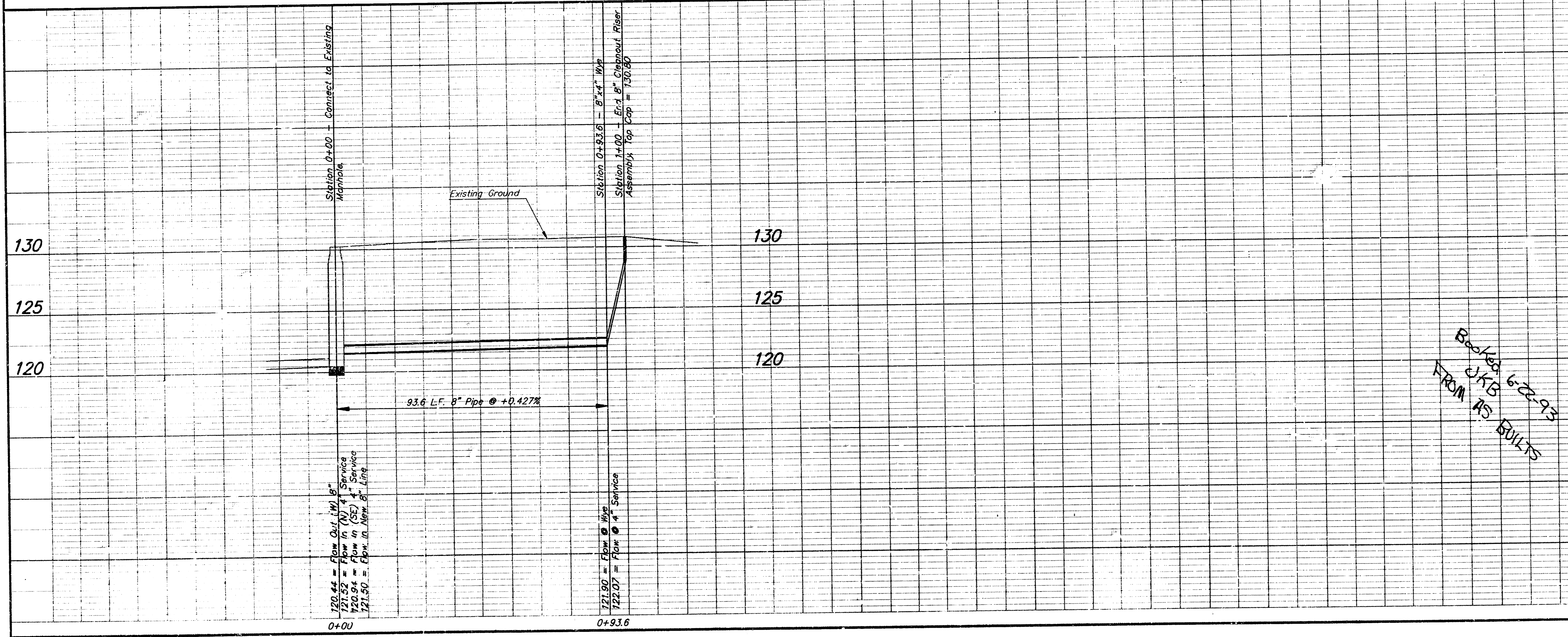
Driveway Approaches _____

Water Mains _____

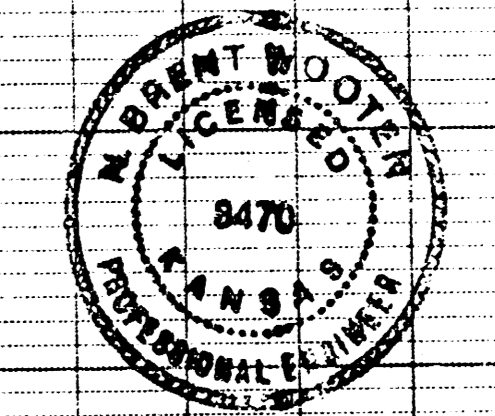
Paving _____

NOTE TO CONTRACTORS

Inspection and testing for this project is to be provided by a Licensed Consulting Engineering Firm under contract with the Owner/Developer. Said inspection is to be in accordance with the City of Wichita standard construction engineering practices and certified by a Licensed Professional Engineer. No work shall be performed in dedicated easements or public right-of-way by the Contractor without such inspection nor shall any work be commenced without written authorization by the City Engineer.



Books 6-22-93
FROM RS. BUILTS



PRIVATE SANITARY SEWER EXTENSION TO SERVE
PART OF LOT 4, H.F. JOHNSTON ADDITION

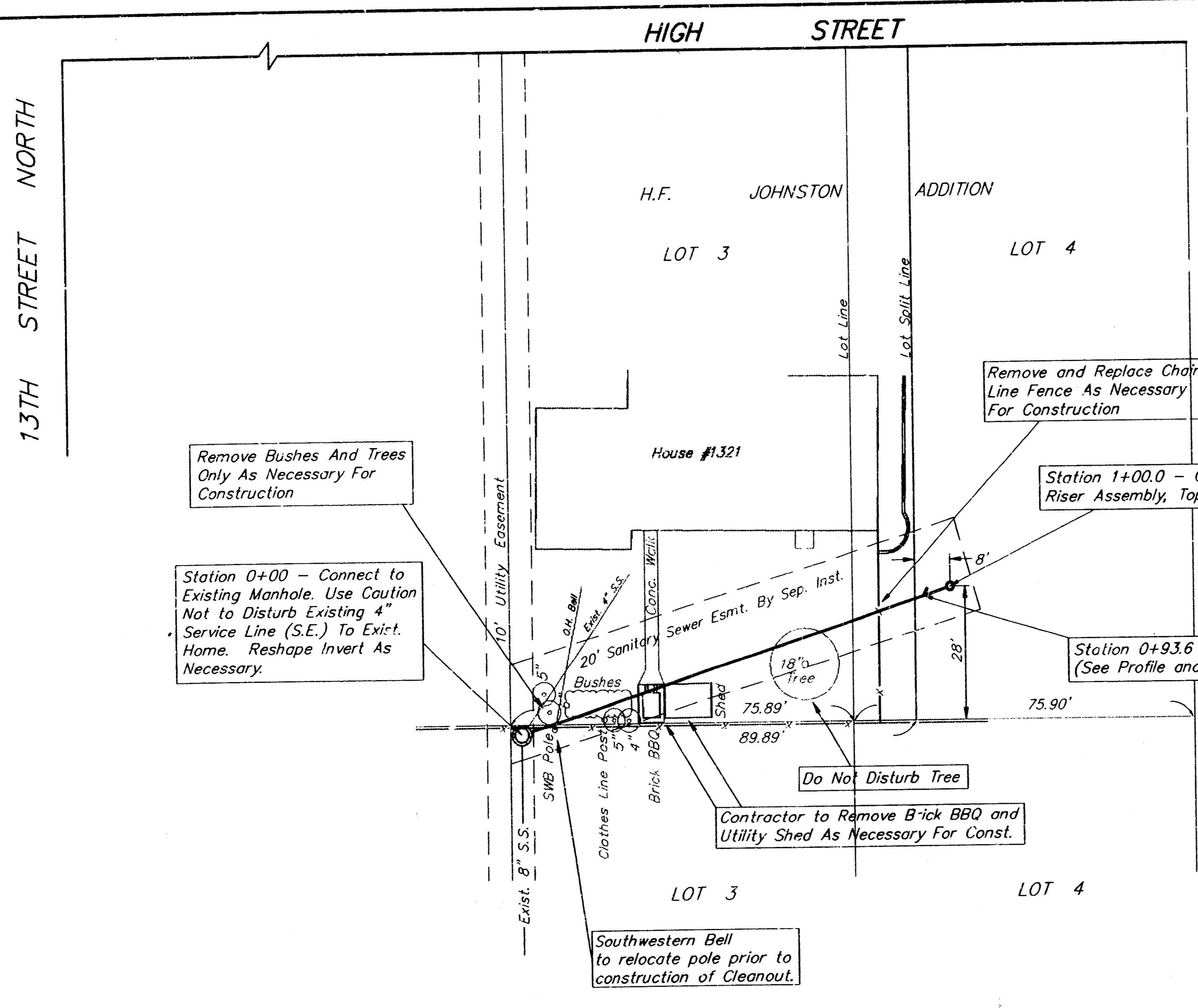
BAUGHMAN COMPANY P. A.
ENGINEERING & SURVEYING
316/262-7271 • 315 ELLIS • WICHITA, KANSAS 67211

PROJECT NUMBER
367 PPS (607861)

DESIGN	DRAWN	UTIL. CHECK'D	DATE	SCALE	SHEET
C. Bohm	C. Bohm		11-18-92	Noted	1

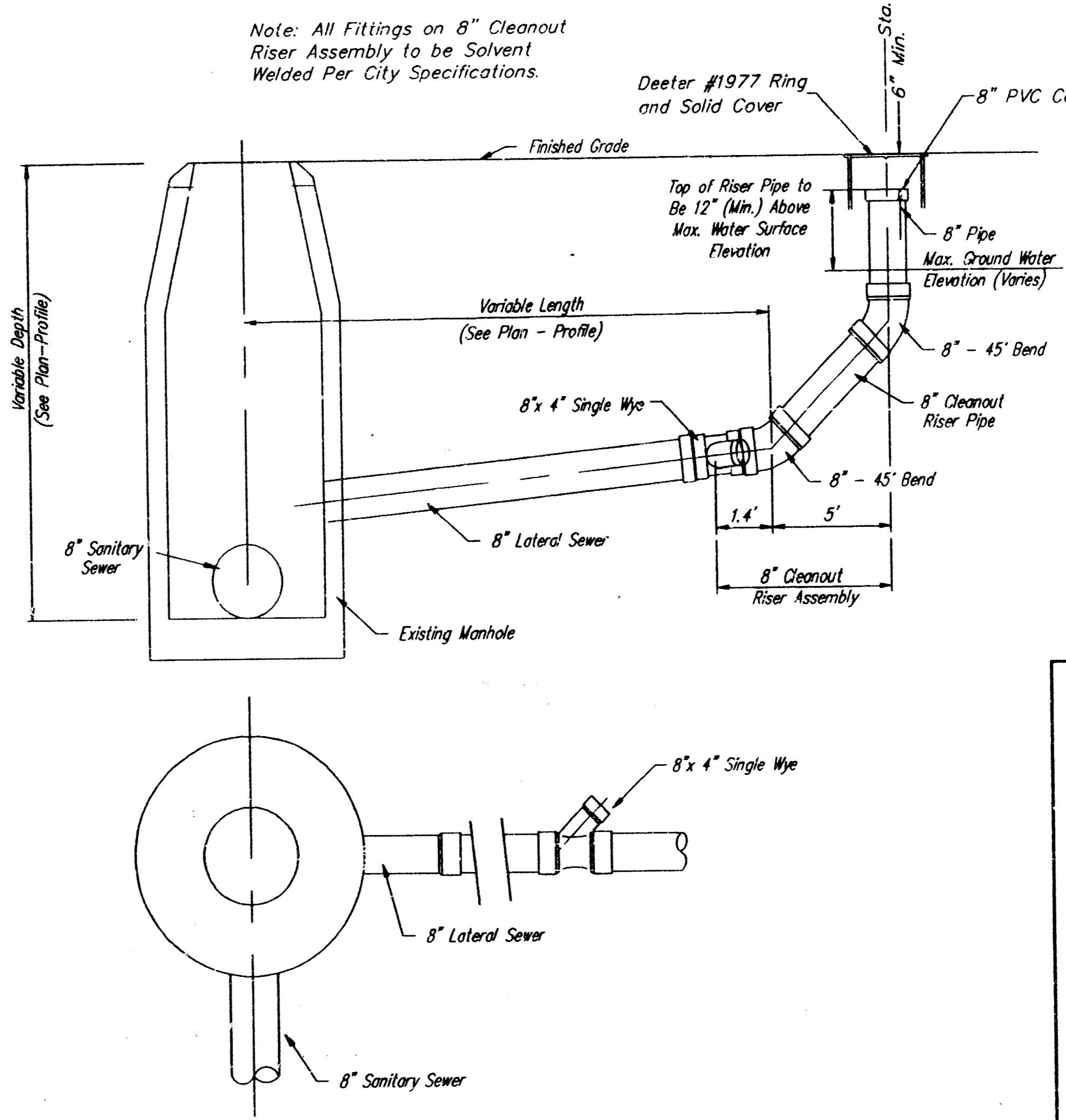
Bench Mark: City Dist. 28.5' E and 35.9' N. of the centerlines of 13th Street North and Sheridan, Elevation = 125.72

Bench Mark: Square Cut in Top of Curb, South Side of 13th Street North, 10' West of the N.W. Corner of Lot 2, H.F. Johnston Addition, Elevation = 127.85



Scale: 1" = 20' Plan
 1" = 5' Profile
 o = Iron

8" CLEANOUT RISER ASSEMBLY DETAIL



AS SHOWN AS NOTED
 BY CITY ENGINEER OF WICHITA

Sanitary Sewers URH 3/10/93

Storm Sewers _____

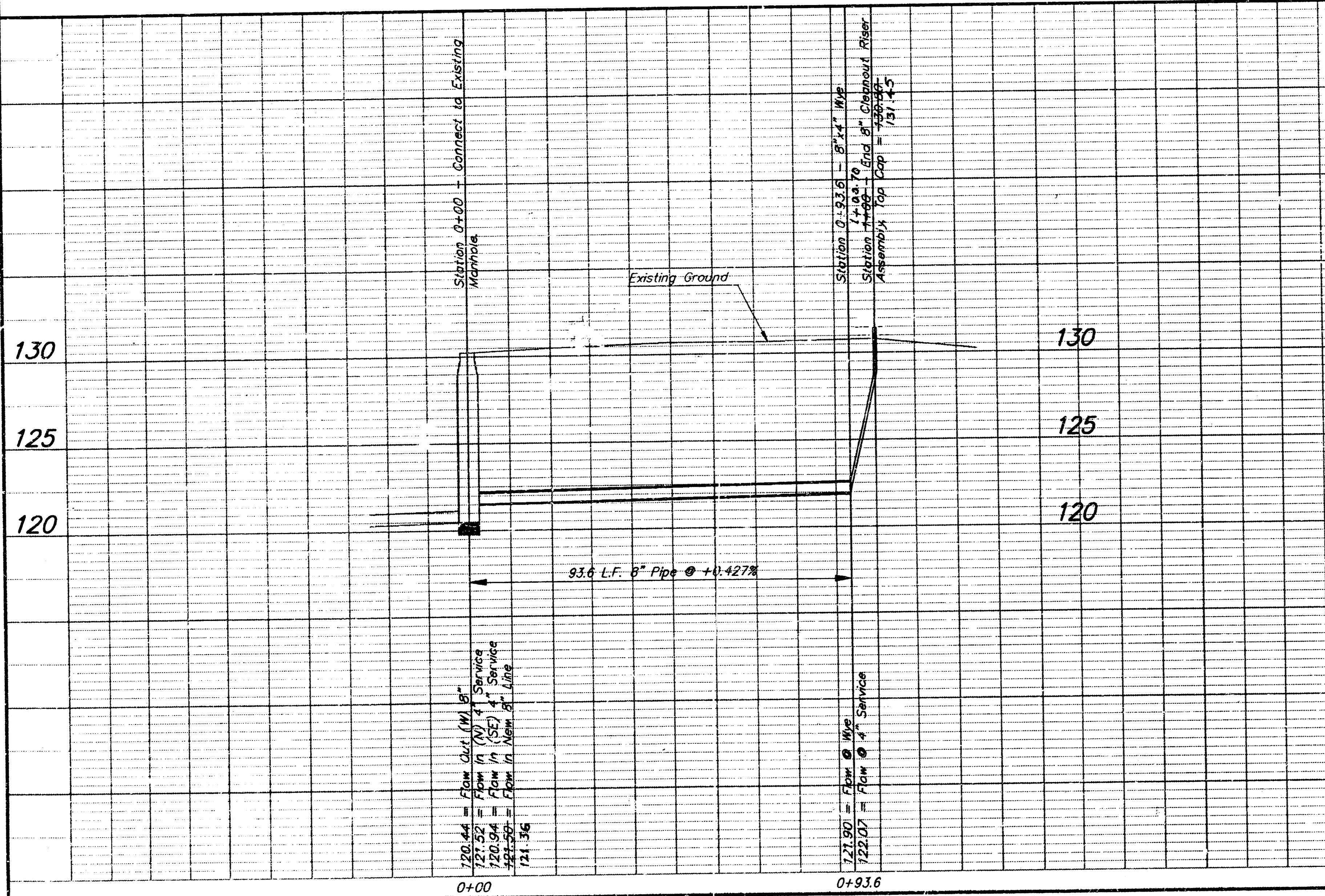
Driveway Approaches _____

Water Mains _____

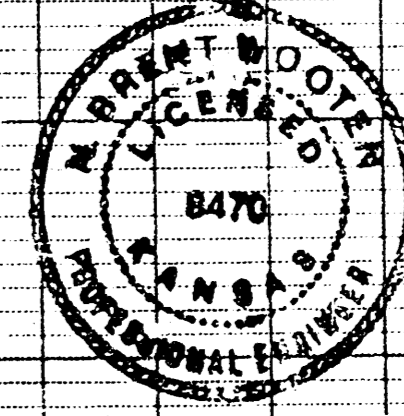
Paving _____

NOTE TO CONTRACTORS

Inspection and testing for this project is to be provided by a Licensed Consulting Engineering Firm under contract with the Owner/Developer. Said inspection to be in accordance with the City of Wichita standard construction engineering practices and certified by a Licensed Professional Engineer. No work shall be performed in dedicated easements or public right-of-way by the Contractor without such inspection nor shall any work be commenced without written authorization by the City Engineer.



Booked 6-22-93
 From As BUILT



AS BUILT 6-3-93

PRIVATE SANITARY SEWER EXTENSION TO SERVE
 PART OF LOT 4, H.F. JOHNSTON ADDITION

BAUGHMAN COMPANY P. A.
 ENGINEERING & SURVEYING
 316/262-7271 • 315 ELLIS • WICHITA, KANSAS 67211

PROJECT NUMBER
367 PPS (607861)

DESIGN	DRAWN	UTIL. CHECK'D	DATE	SCALE
C. Bohm	C. Bohm		11-18-92	Noted

SHEET 1 OF 1