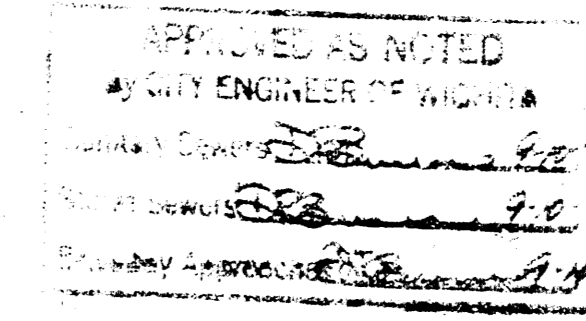


HOLIDAY INN-EAST LIGHTNER ADDITION

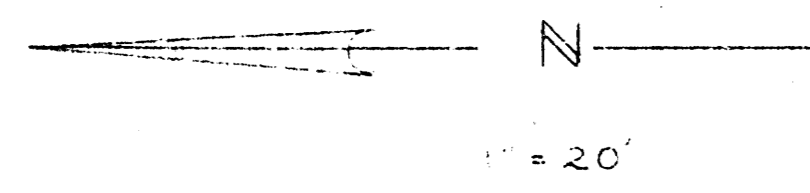
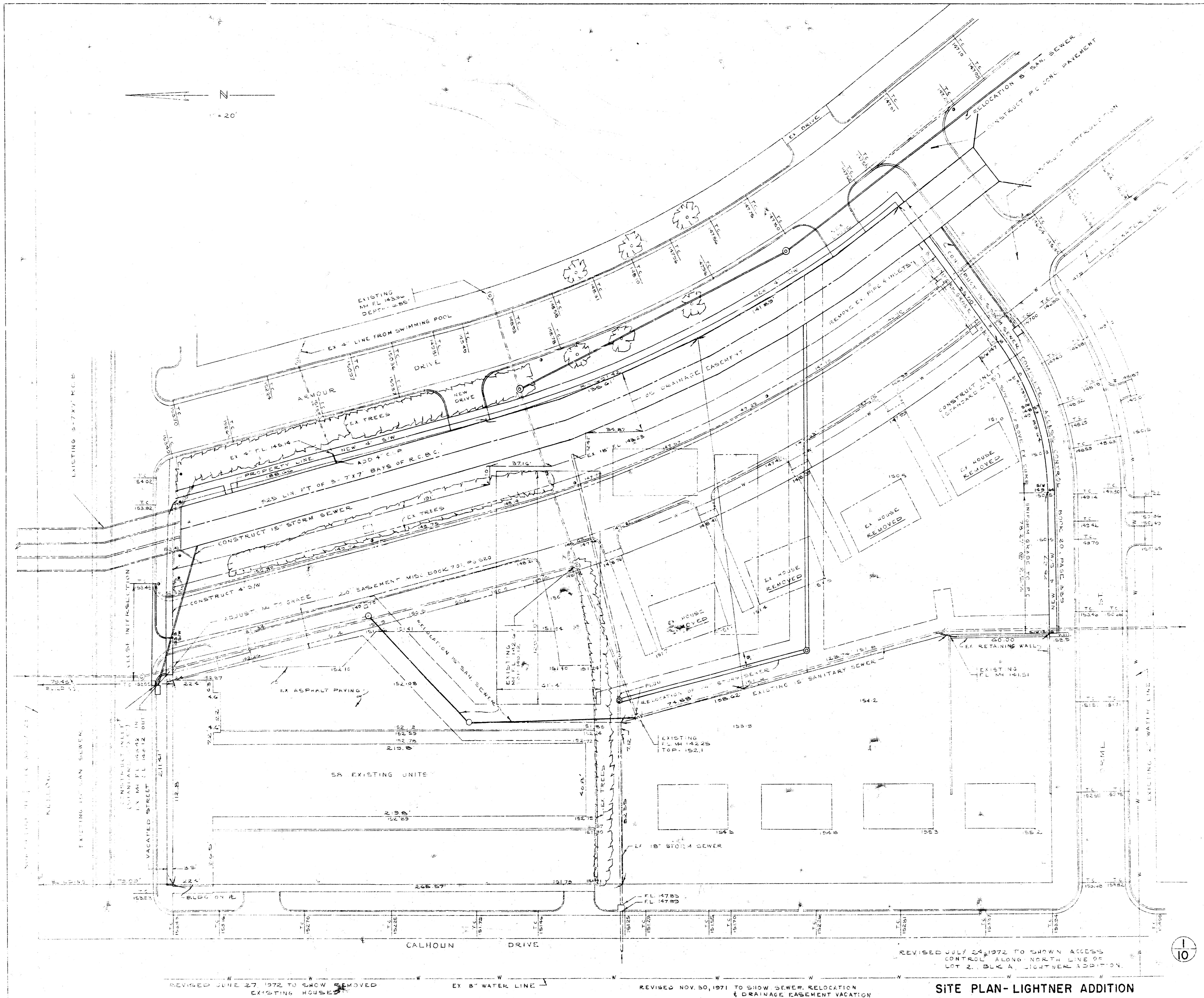
BOX CULVERT
SANITARY SEWERS
STORM WATER SEWERS
RECONSTRUCTION OF STREET
SIDEWALKS

INDEX

1. SITE PLAN
- 2 & 3. - CULVERT-GENERAL PLAN & PROFILE
4. CULVERT-LIGHTNER ADD.
5. CULVERT & STREET-ORME & ARMOUR
6. CULVERT REINF-ORME & ARMOUR
7. STORM SEWERS
8. SANITARY SEWERS
9. CROSS SECTIONS
10. HANDRAIL, SPEC. PAVE. REINF., BENT BARS



K. O. TAYLO.
AUGUST, 1971

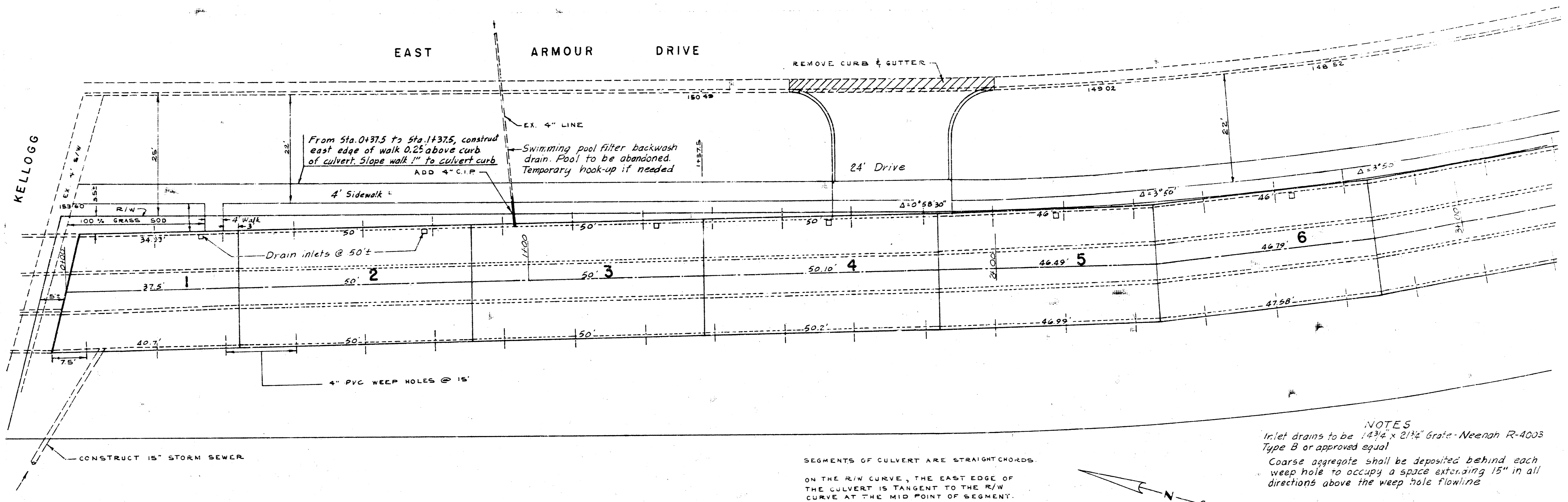


REVISED JUNE 27, 1972 TO SHOW REMOVED EXISTING HOUSES

REVISED NOV. 30, 1971 TO SHOW SEWER, RELOCATION & DRAINAGE EASEMENT VACATION

REVISED JULY 24, 1972 TO SHOW ACCESS CONTROL ALONG NORTH LINE OF LOT 2, BLK A, LIGHTNER ADDITION.

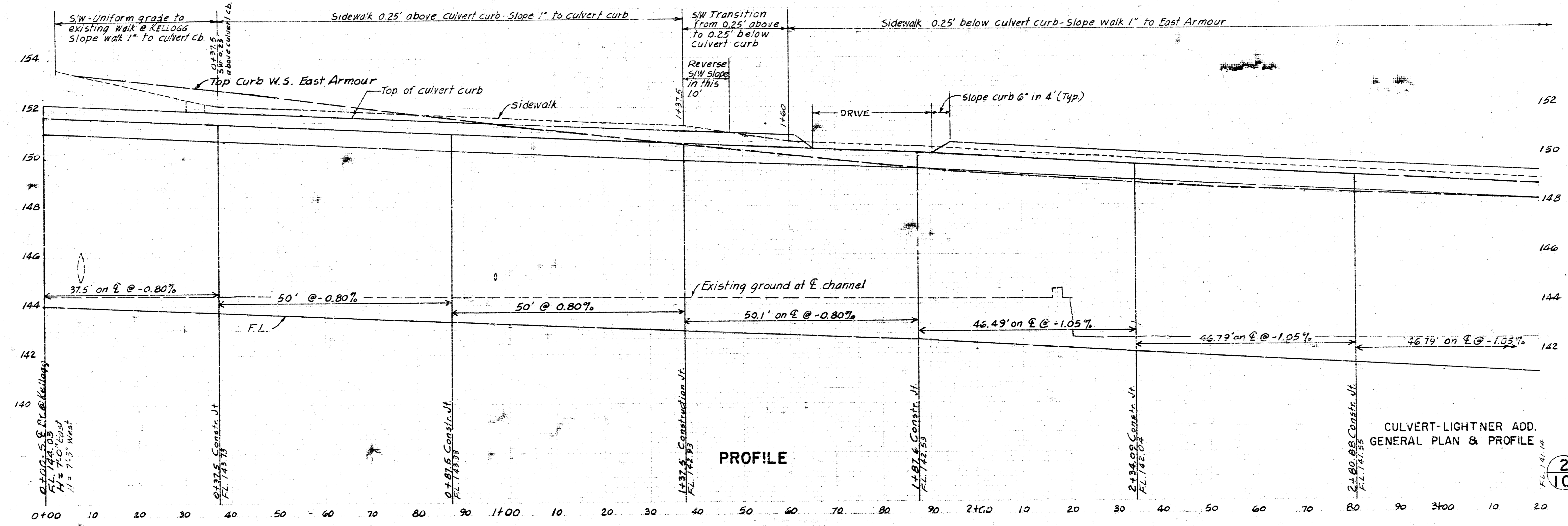
SITE PLAN-LIGHTNER ADDITION

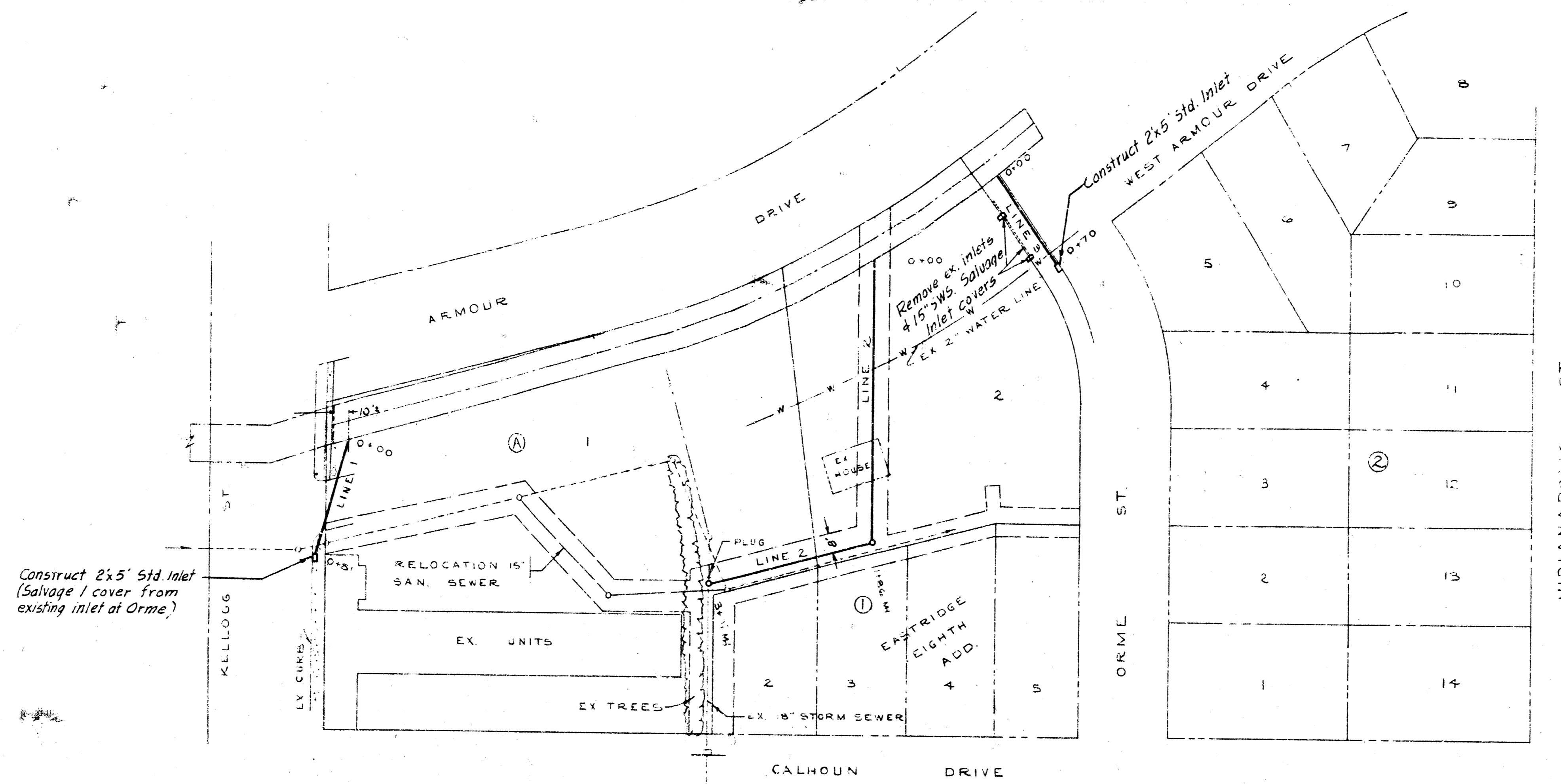


NOTES
 Inlet drains to be 14 1/2" x 21 1/2" Grate - Neenah R-4003 Type B or approved equal
 Coarse aggregate shall be deposited behind each weep hole to occupy a space extending 15" in all directions above the weep hole flowing

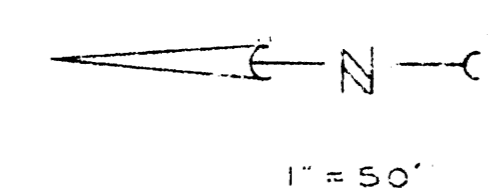
SEGMENTS OF CULVERT ARE STRAIGHTCHORDS ON THE R/W CURVE, THE EAST EDGE OF THE CULVERT IS TANGENT TO THE R/W CURVE AT THE MID POINT OF SEGMENT.

PLAN

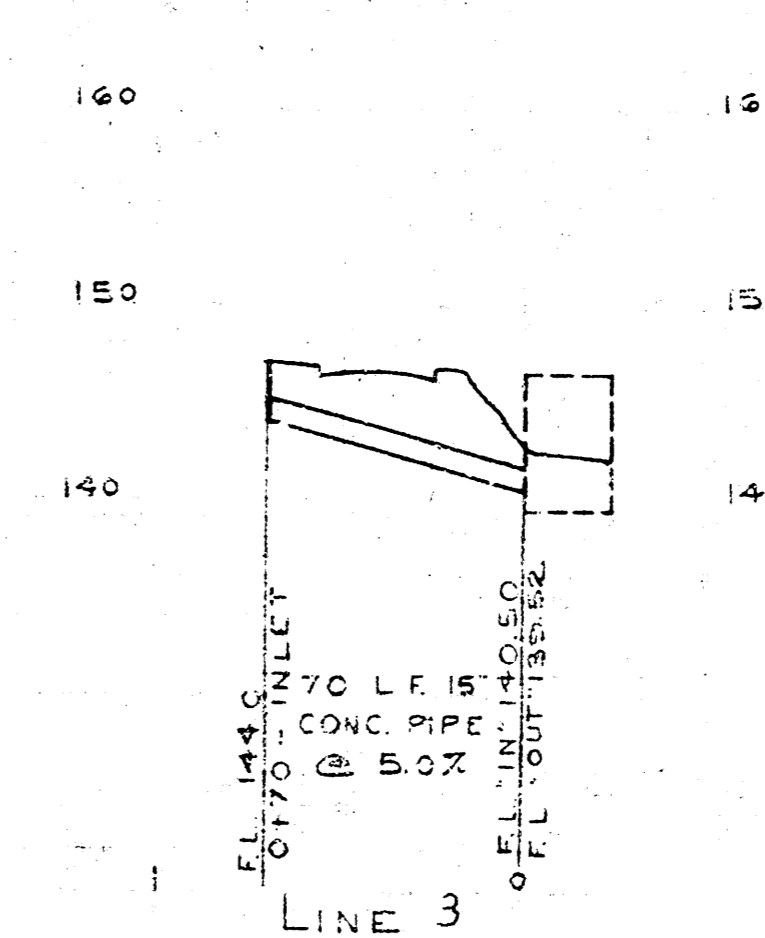
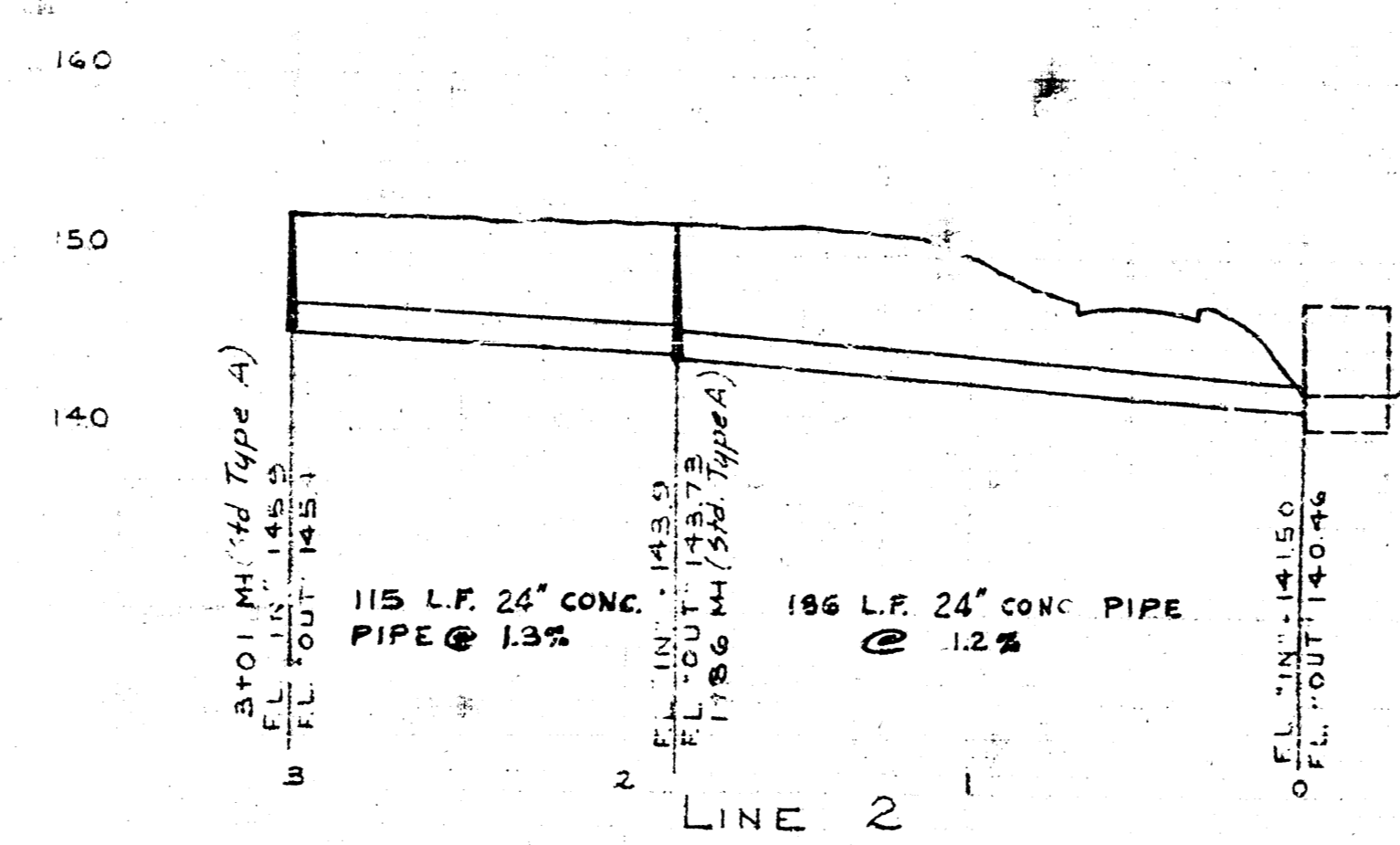
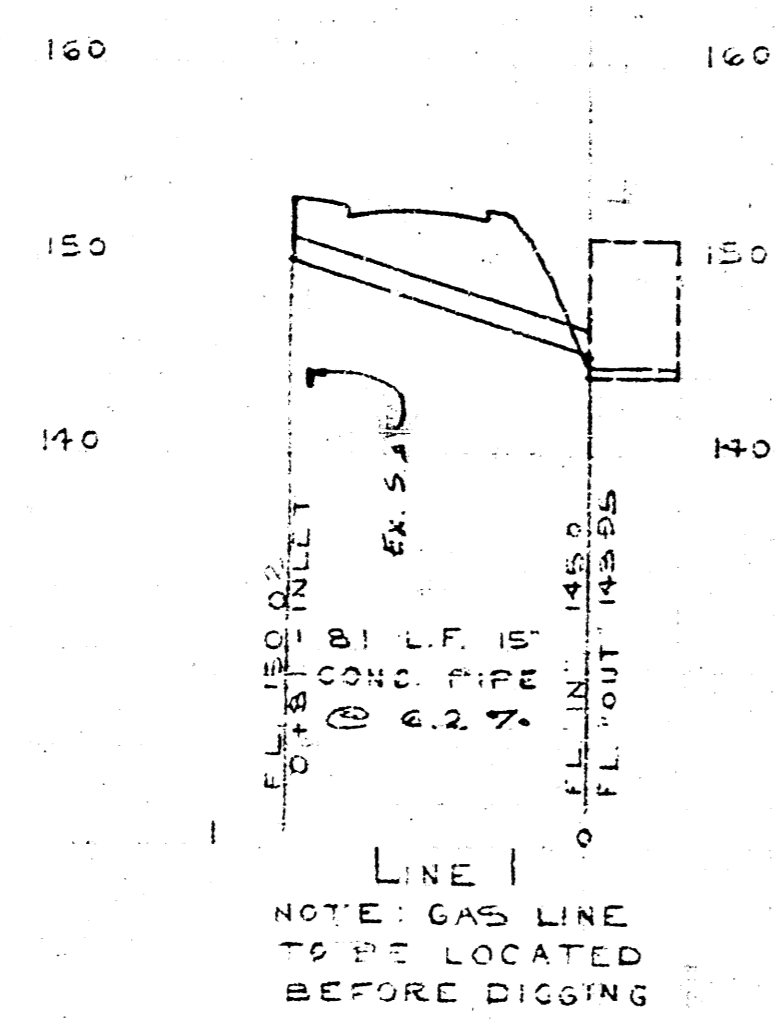


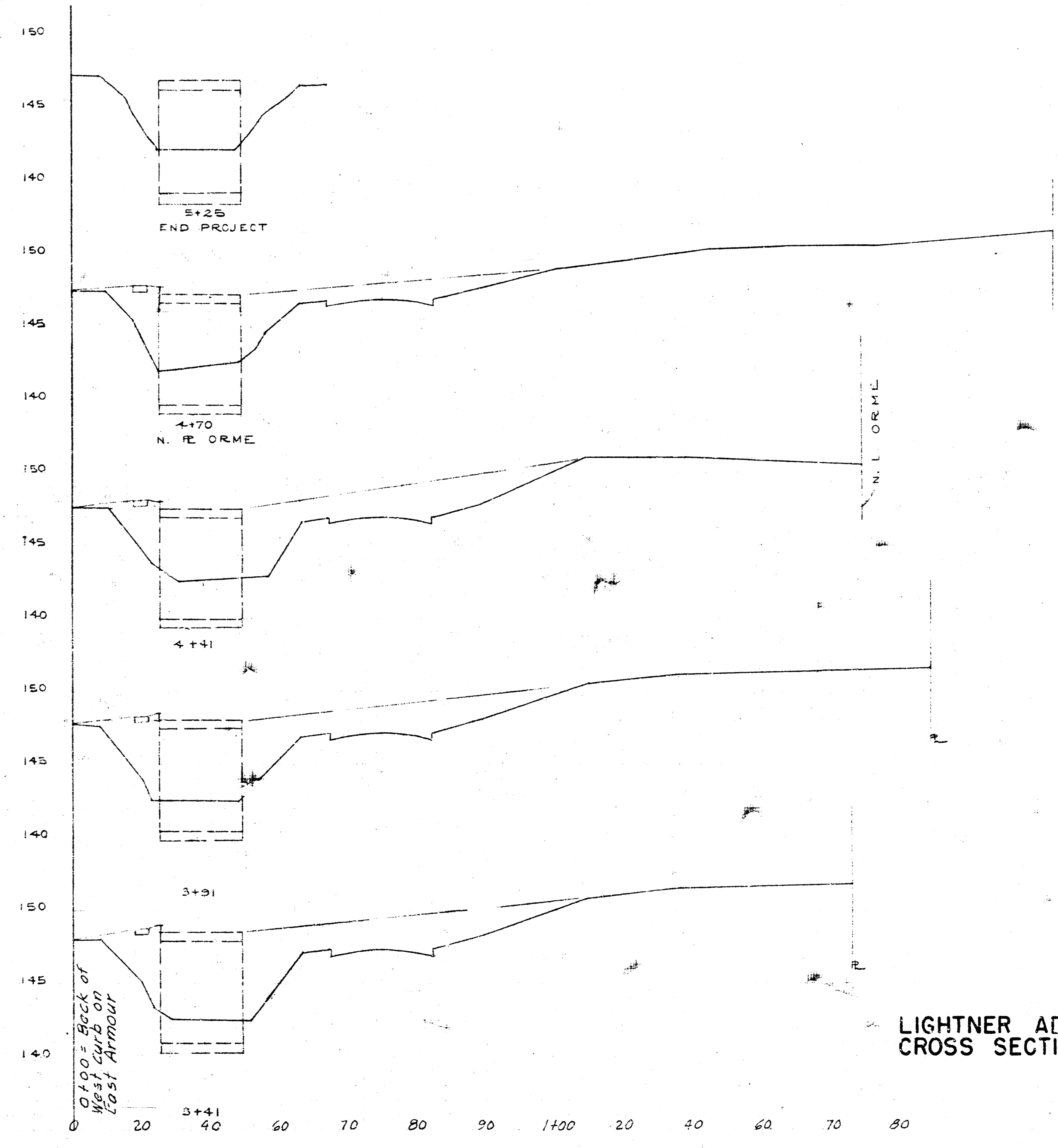
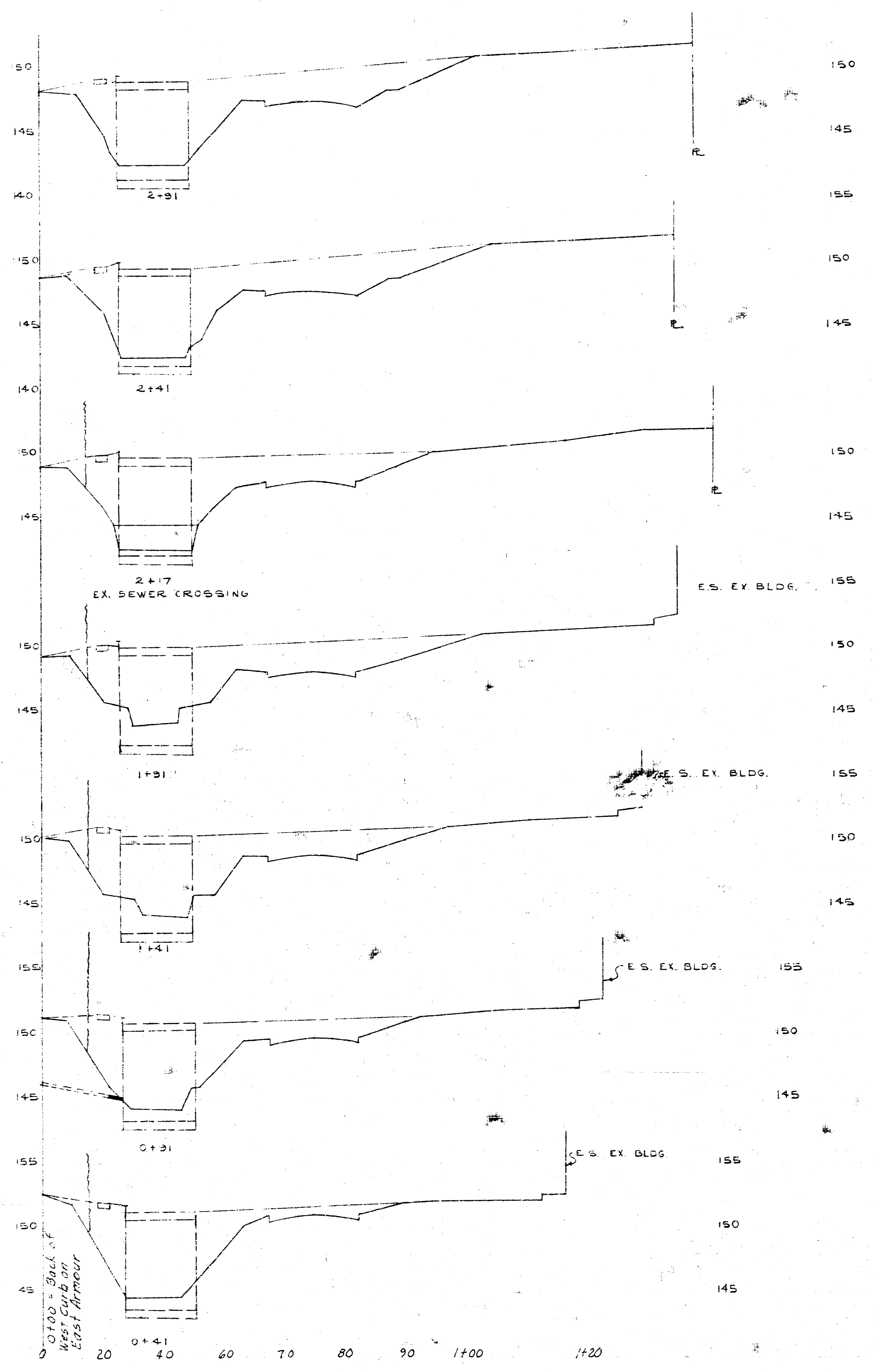


NOTE
 ALL SEWER LINES TO BE
 BACKFILLED WITH SAND
 AND FINISHED.
 REMOVE ALL EXISTING SEWERS
 UNDER PROPOSED BUILDINGS.
 PLUS OTHERS TO CITY OF WICHITA
 SPECIFICATIONS.

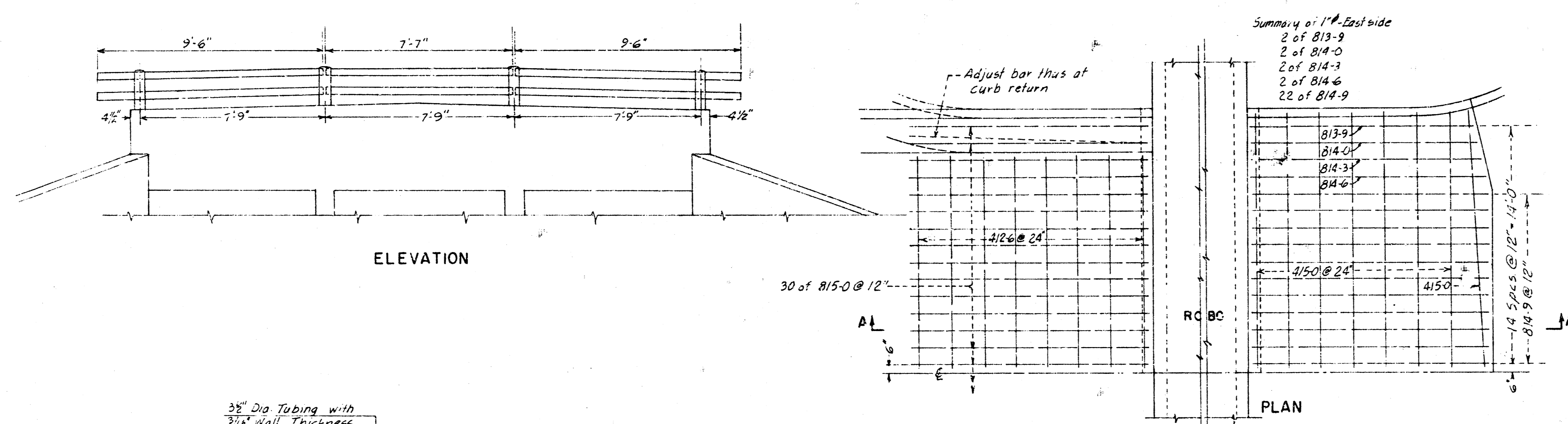


STORM SEWER RELOCATION
 LIGHTNER ADDITION TO
 WICHITA, KANSAS





LIGHTNER ADDITION
CROSS SECTIONS

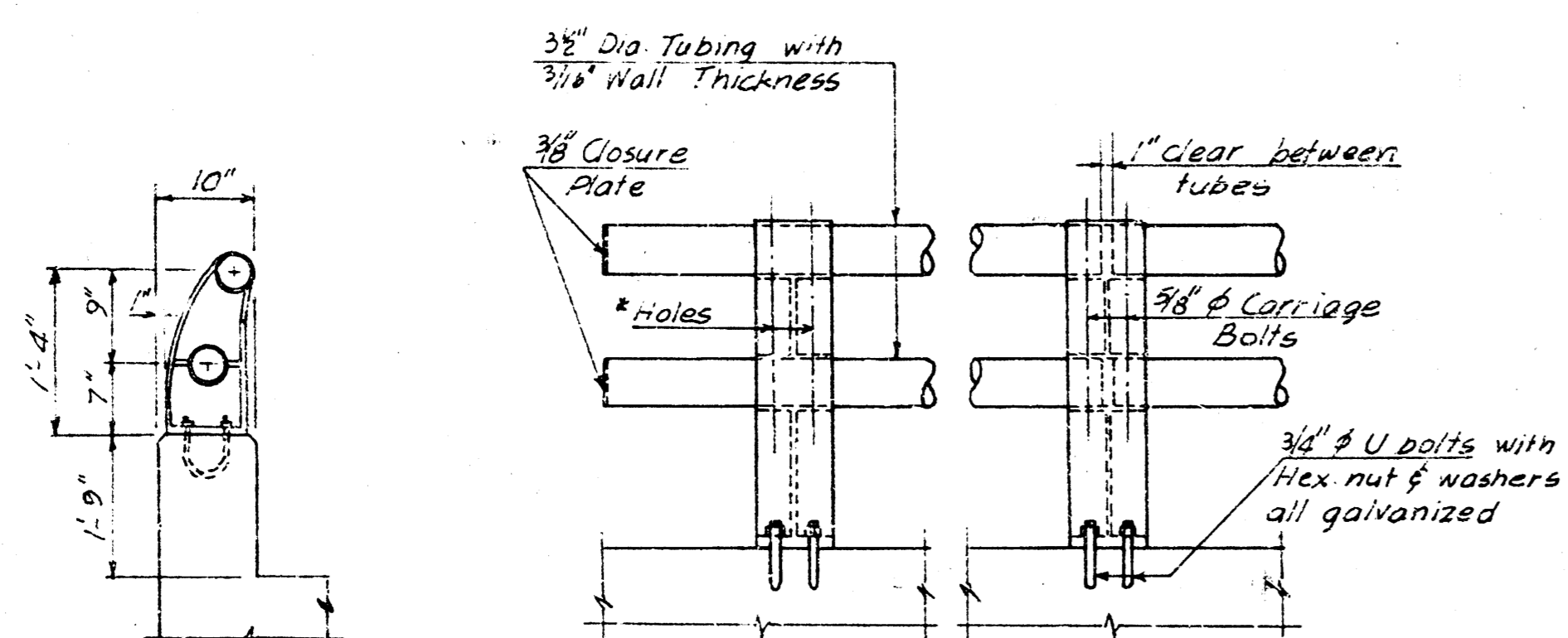


ELEVATION

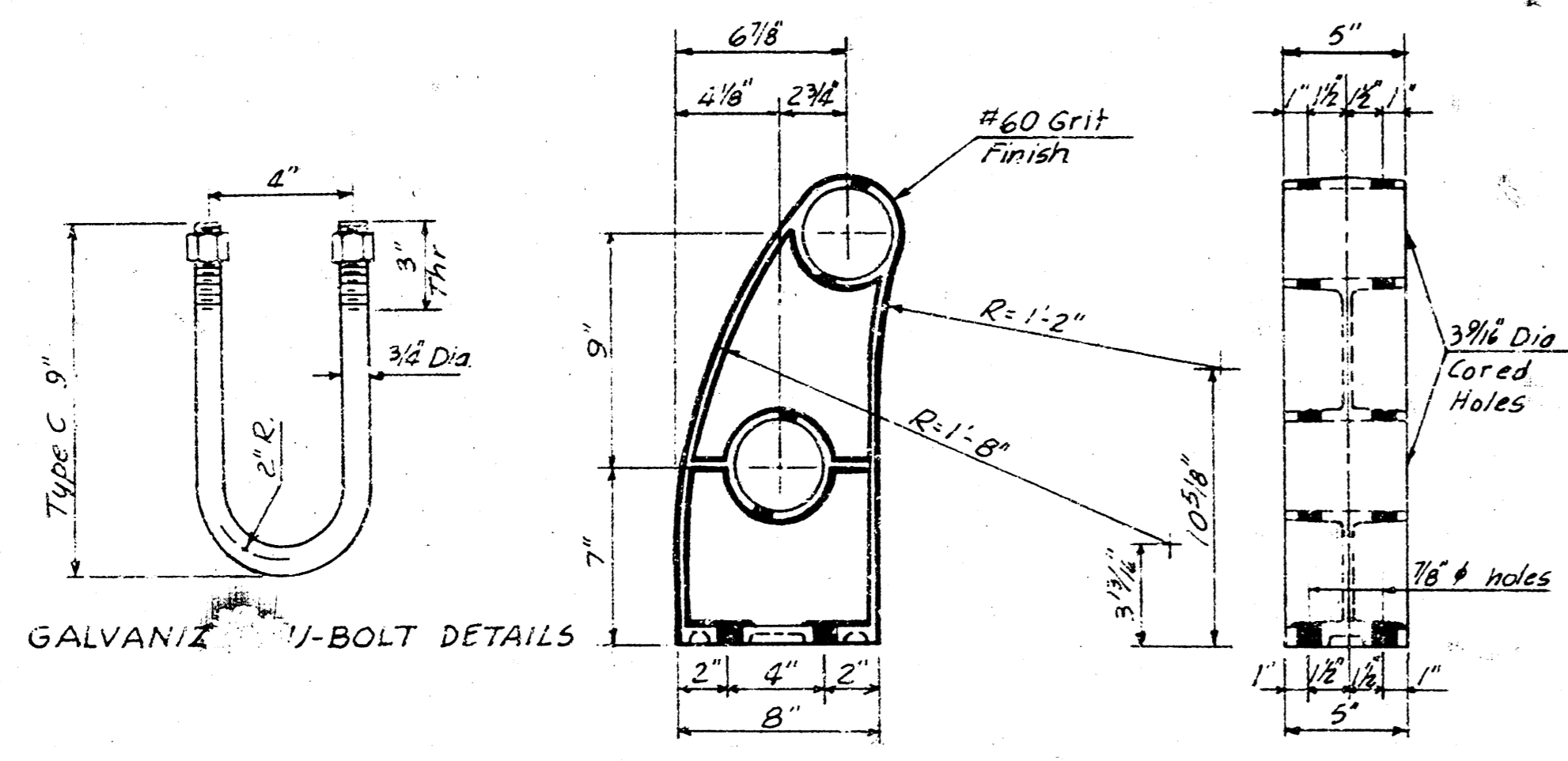
PLAN

SECTION A-A

SPECIAL PAVEMENT REINFORCEMENT-ORME AT R.C.B.C.



*Note: 1/4" Square holes in post under head and 1/4" Round holes under nuts for 3/8" x 5/8" carriage bolts with hex nuts



POST FOR TYPE C RAIL

ALUMINUM HANDRAIL DETAILS TYPE C

BENT BARS			
BAR	SIZE	a	b Length
5L1	5/8"	2'-9"	3'-6" 6'-3"
5L2	5/8"	3'-3"	2'-0" 5'-5"
4L3	1/2"	2'-9"	4'-9" 7'-6"
4L4	1/2"	3'-0"	3'-0" 6'-0"
4L5	1/2"	2'-6"	2'-6" 5'-0"

L-Bar	24'-9"	45°	45°	Size: 1/2" Length: 28'-9"
5F1 Bar	3'-0"	45°	3'-0"	Size: 5/8" Length: 6'-0"
5P1 Bar	2'-2"	45°	4'-4"	Size: 5/8" Length: 7'-6"
4L11 Bar	15"	45°	6'-8"	Size: 1/2" Length: 3'-11"

Minimum radius for bar bends shall be 4 bar diameters

CULVERT & PAVEMENT ORME & ARMOUR

10

DATE	REVISION	BY	DATE