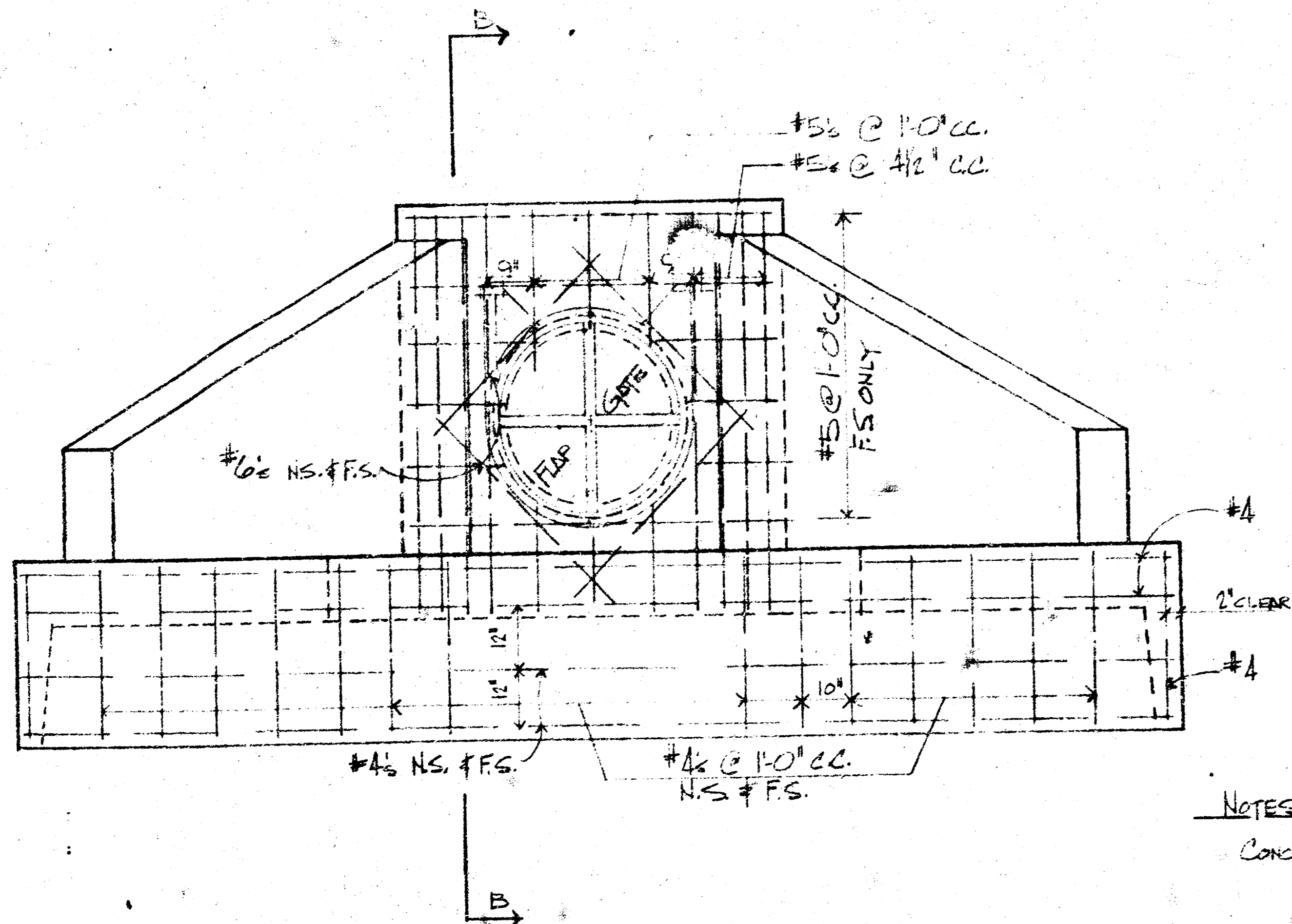
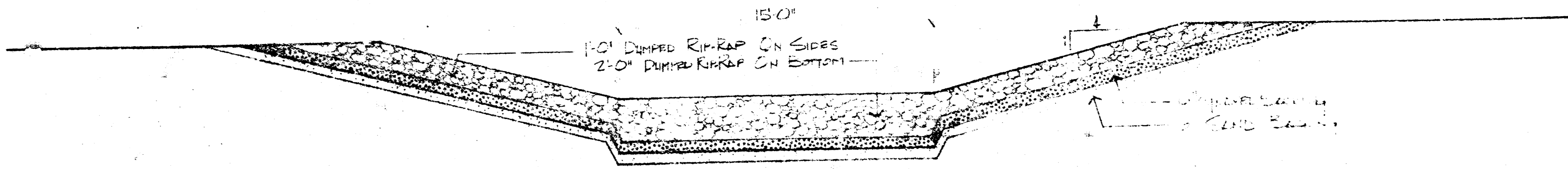


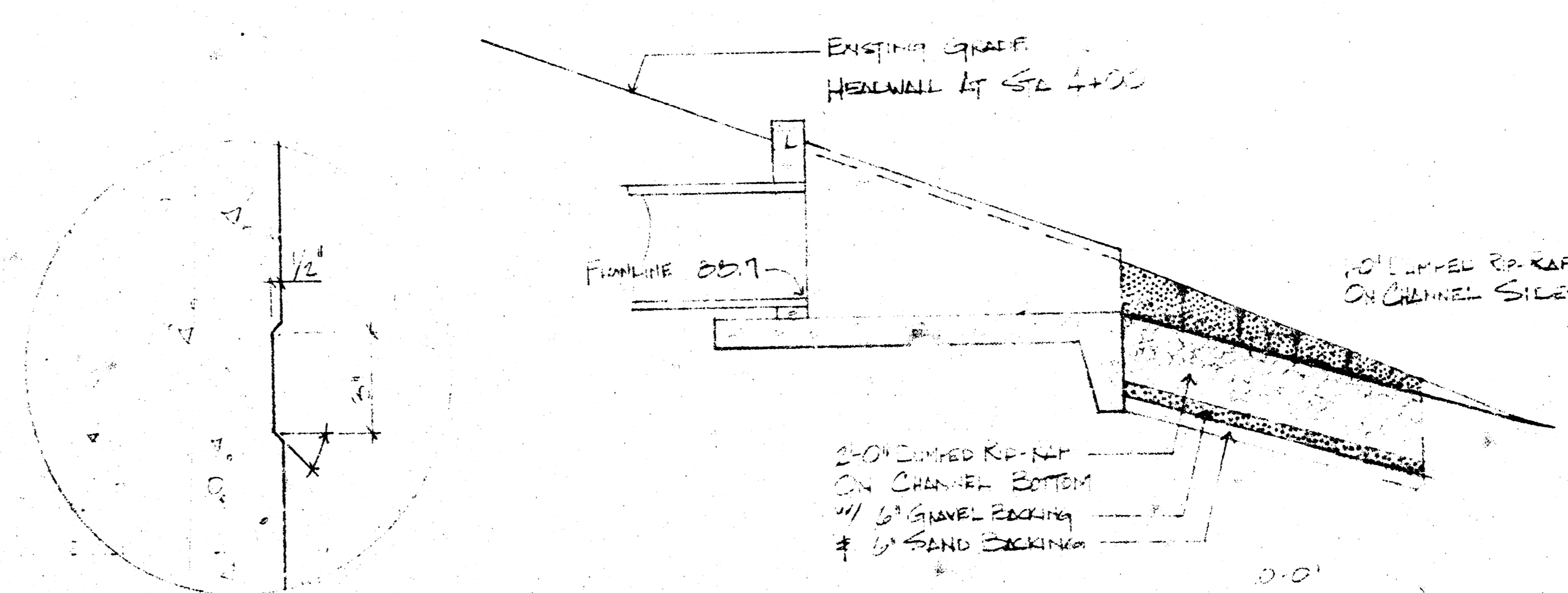
OUTFALL HEADWALL PLAN
1/2" = 1'-0"



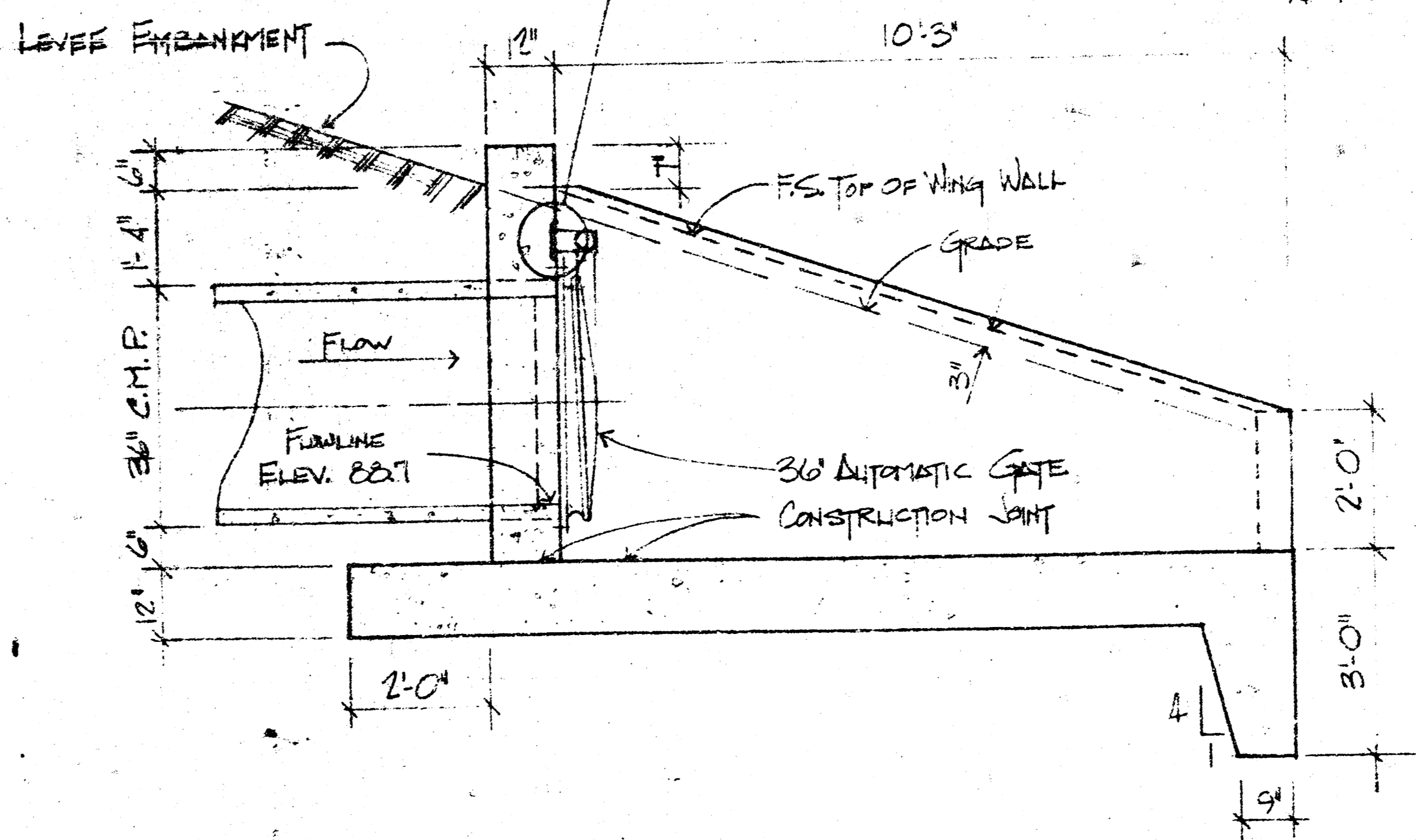
HEADWALL ELEVATION
1/2" = 1'-0"



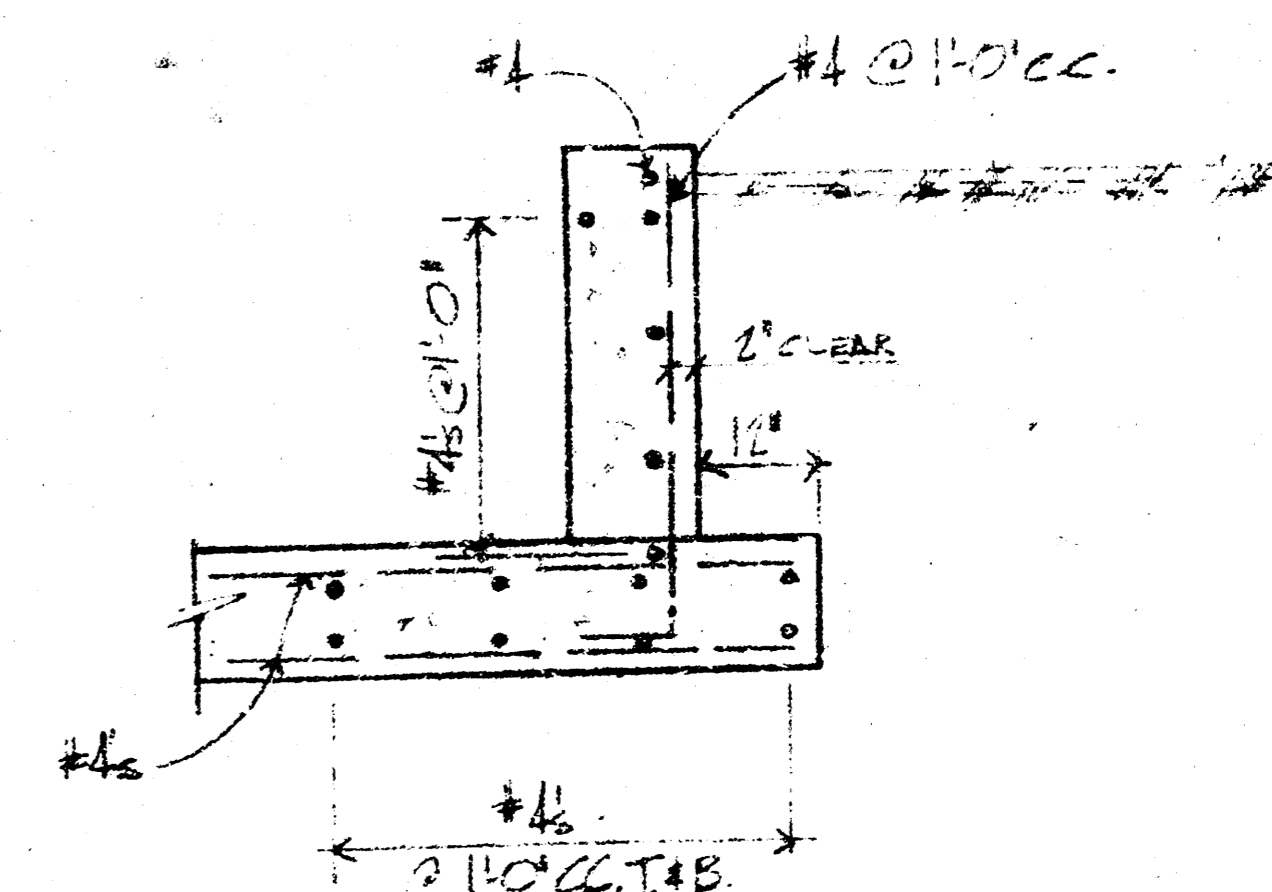
RIP-RAP DETAIL
1/4" = 1'-0"



SECTION AT HEADWALL
1/4" = 1'-0"



SECTION B-B
1/2" = 1'-0"



SECTION C-C
1/2" = 1'-0"

NOTES:

CONCRETE: BEVEL ALL EXPOSED EDGES WITH A 3/4" TRIANGULAR MOLDING, OR FINISH WITH AN APPROVED EDGING TOOL.

FLAP GATE: THE FLAP GATE SHALL BE ARMCO MODEL 10-C, OR APPROVED EQUAL. THE FLAP GATE SHALL BE PAINTED WITH ONE COAT ZINC DUST PAINT, FOLLOWED BY TWO COATS OF ALUMINUM PAINT.

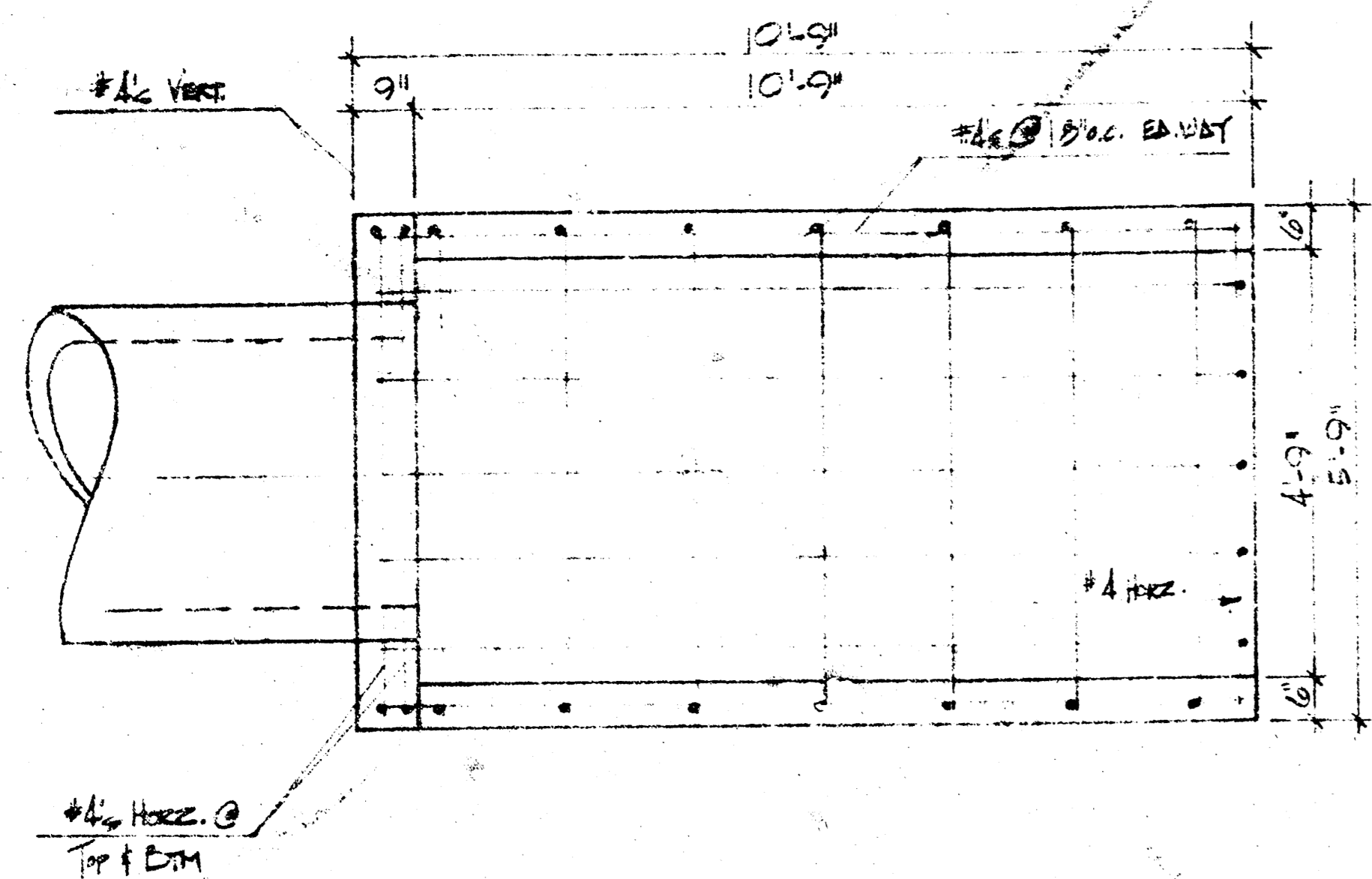
CITY OF WICHITA
APPROVED: [Signature]
Approved does not relieve the contractor from any responsibility for any deviations from the contract, including, but not limited to, any deficiencies of adjustment, work, or materials.
DATE: 6/20/01
Engineering No. 001

LAWRENCE E. WELLS
ARCHITECT
254 LAURA, SUITE 205
WICHITA, KANSAS 67211

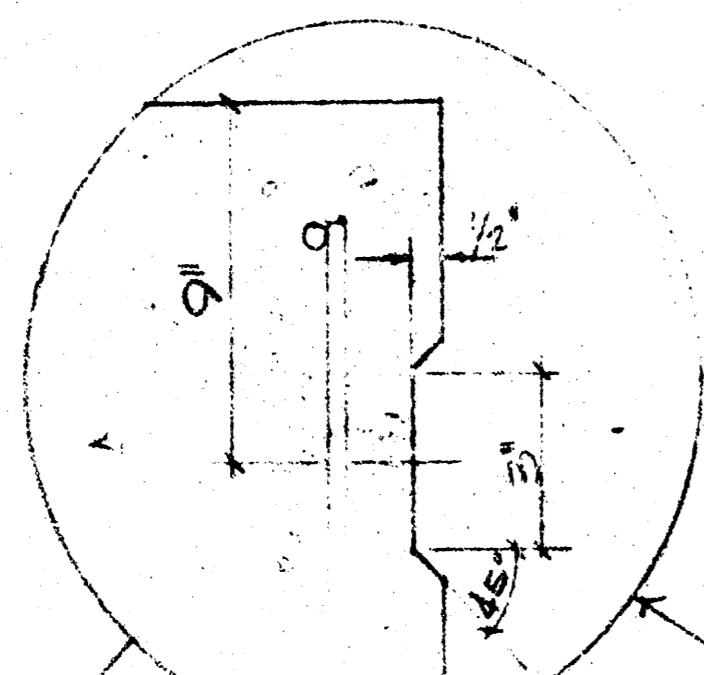
DATE: JUNE 21
DRAWN: [Signature]
CHECKED: ZEW
REVISED: 7/16/01

KINKAID PARK APTS.
FOR KINKAID, INC.
MARION AND SOUTH TOPEKA
WICHITA, KANSAS
PROJECT 545
PLAN NO. C-362

SHEET 1/3 OF 2

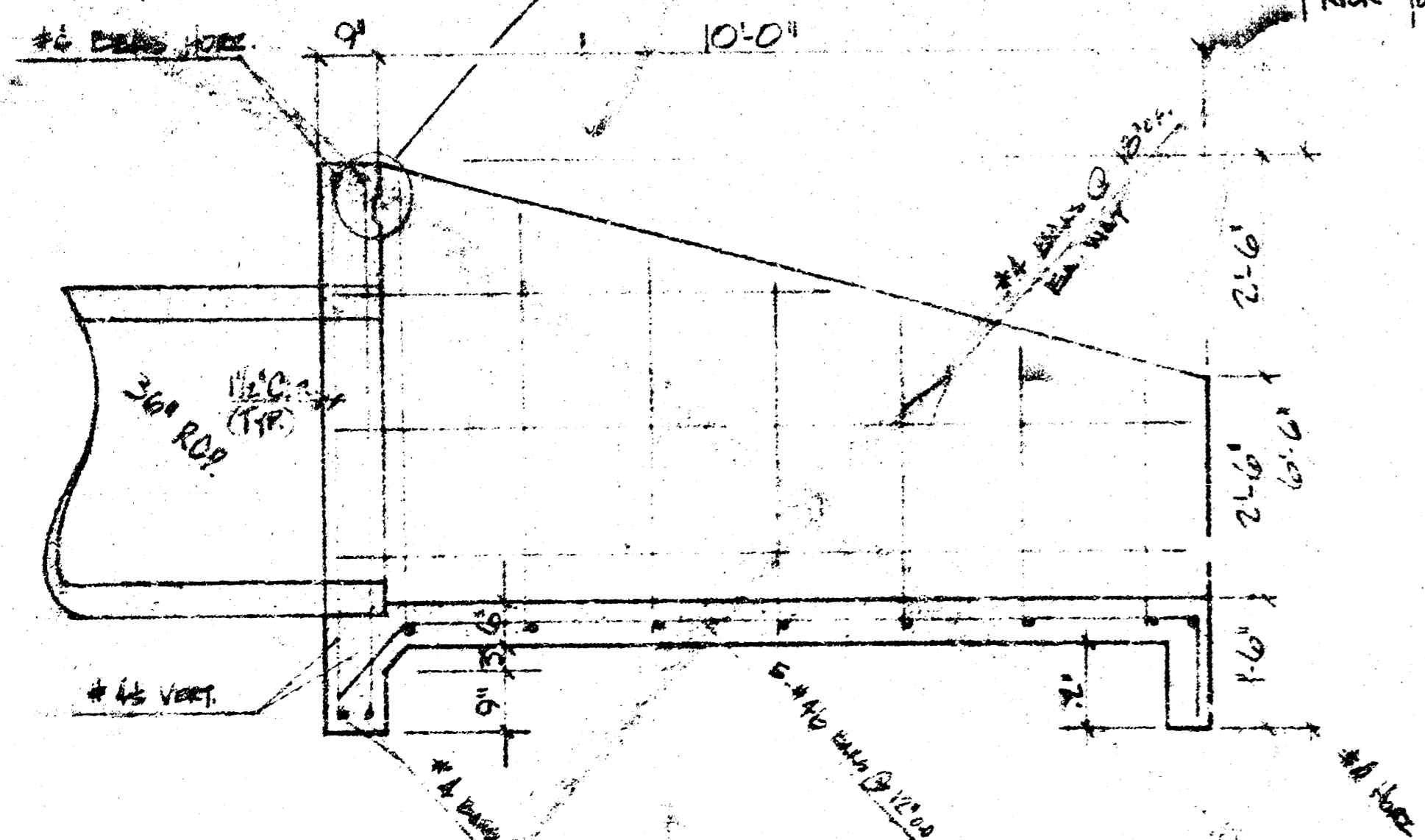


PLAN
1/2"=1'-0"



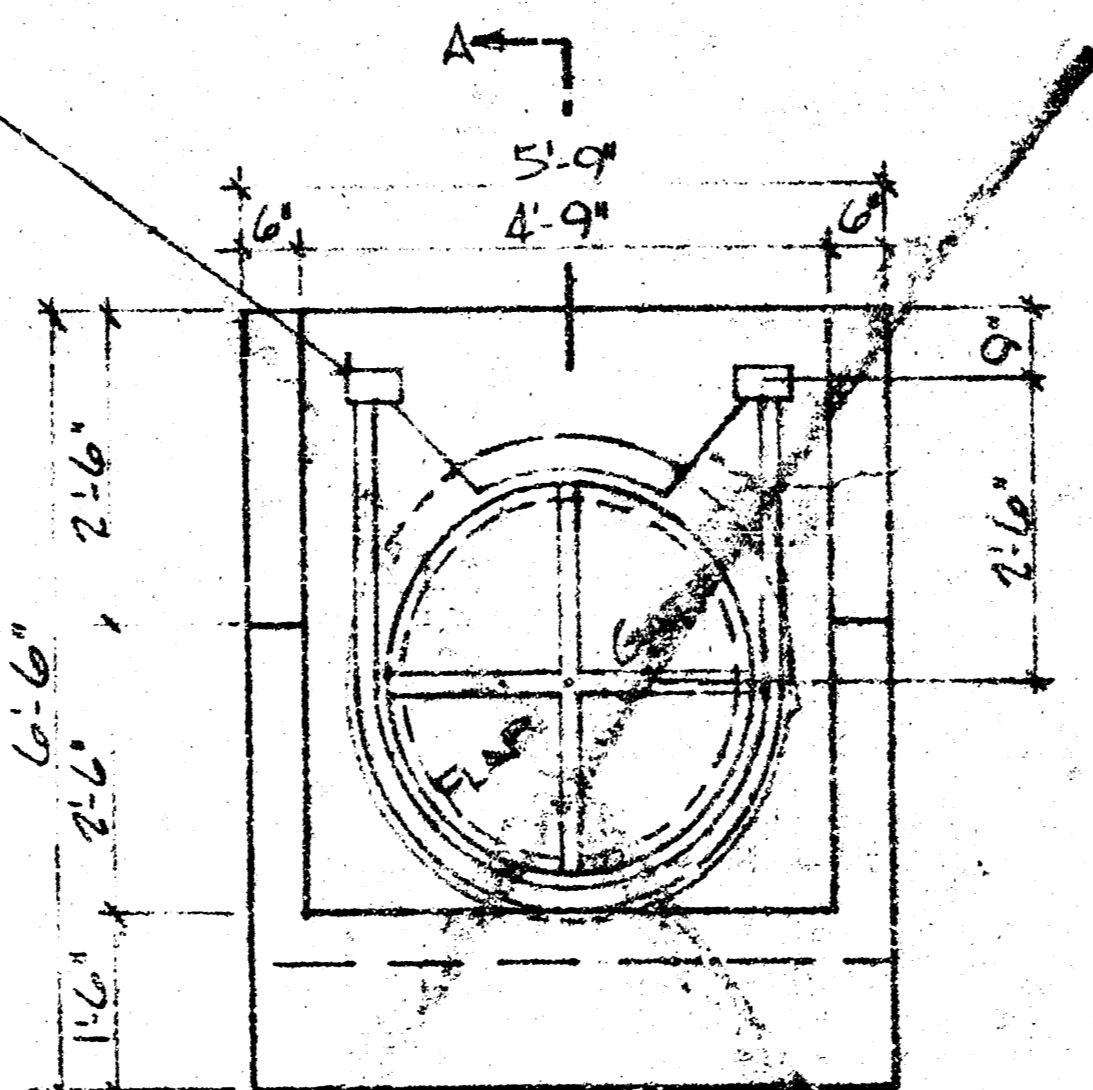
1/2" x 3" x 1/2" HINGE DEPRESSION

NOTE: CONTRACTOR TO VERIFY MOUNTING DIMENSIONS PRIOR TO CONSTRUCTION.

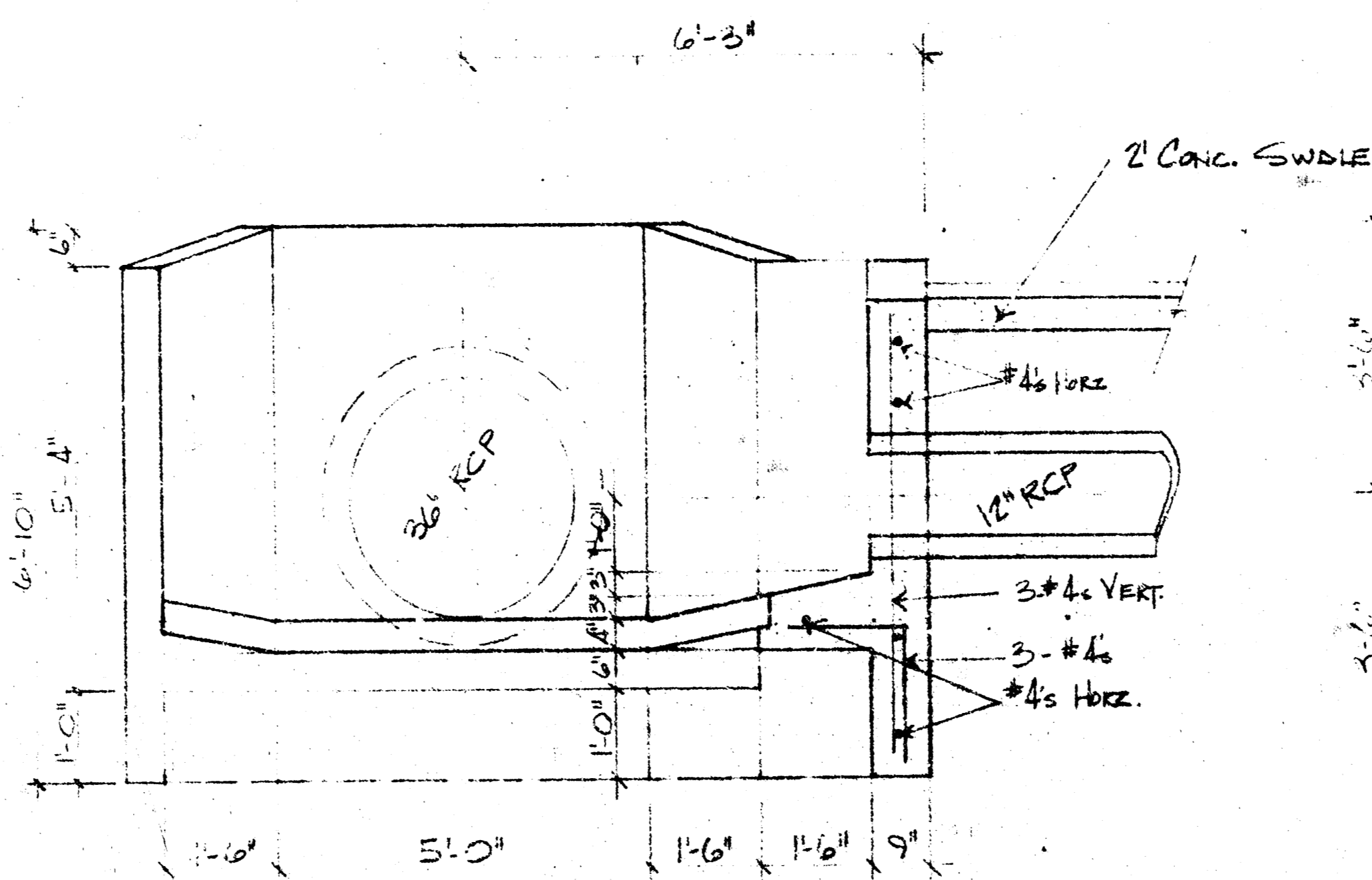


SECTION A-A
1/2"=1'-0"

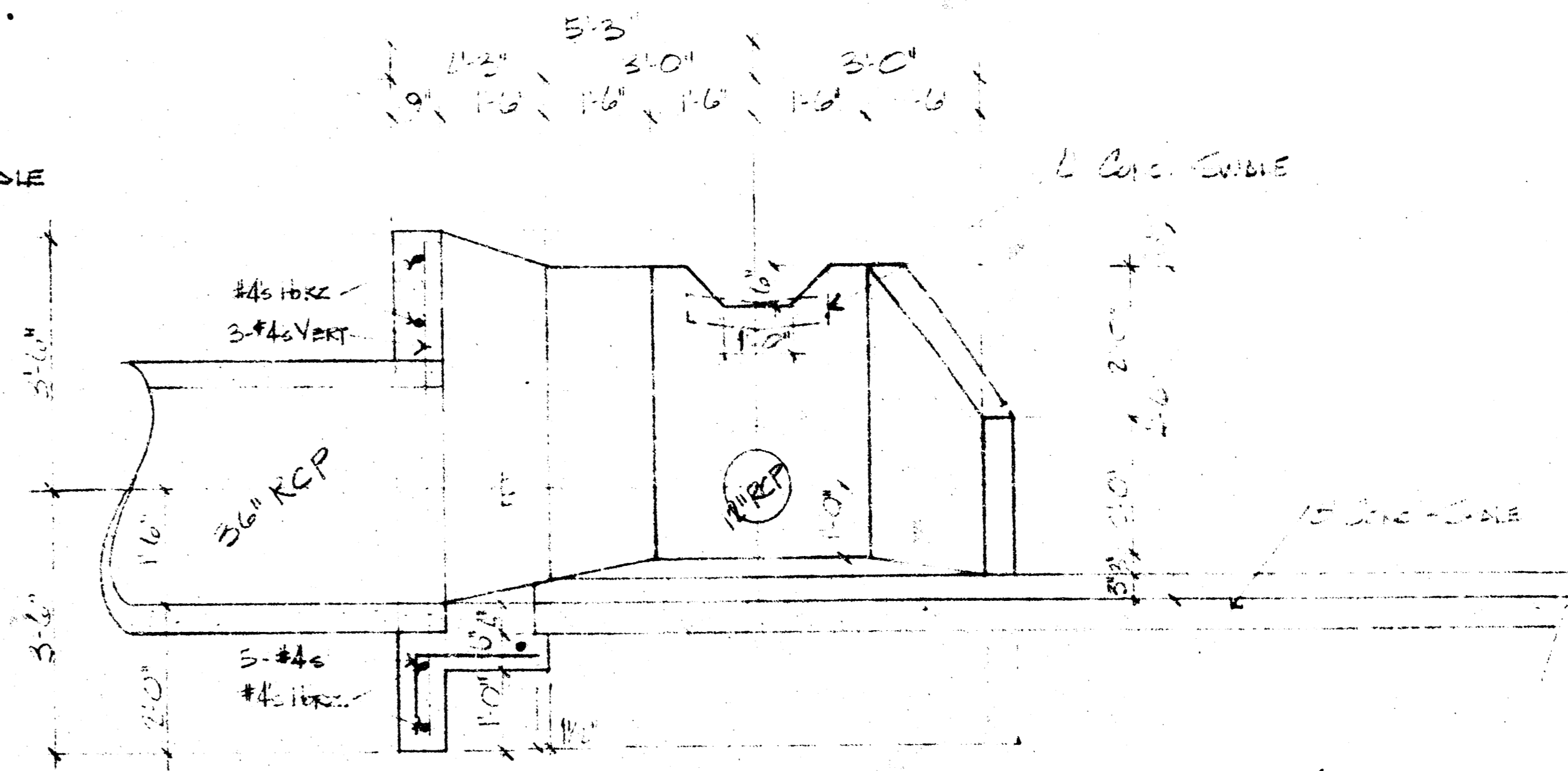
CONCRETE HEADWALL w/ FLAPGATE



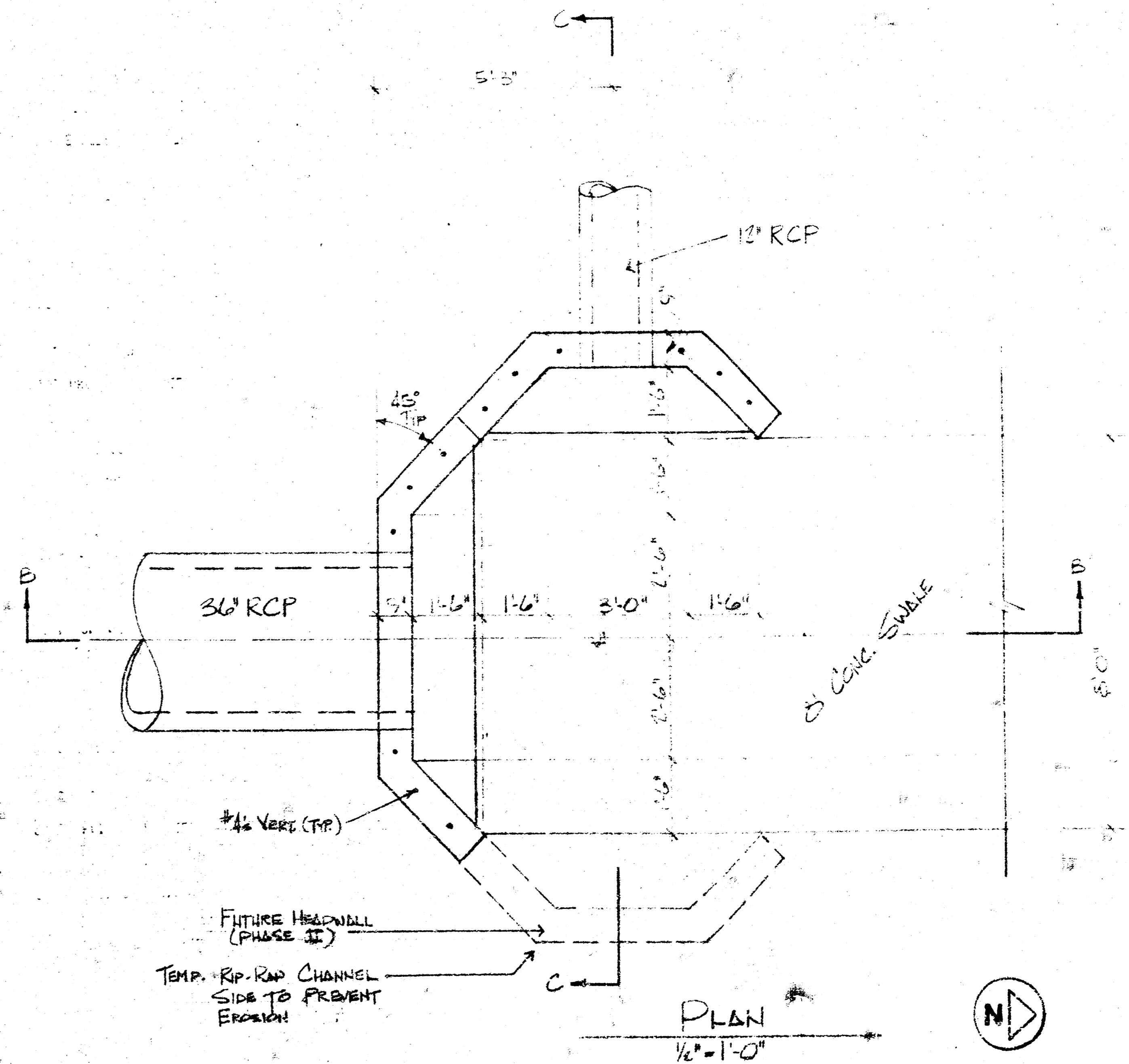
FRONT ELEVATION
1/2"=1'-0"



SECTION C-C
1/2"=1'-0"



SECTION E-B
1/2"=1'-0"



PLAN
1/2"=1'-0"

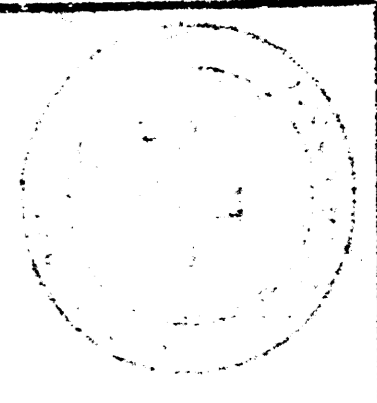


OMIT THIS SECTION

NOTES:

CONCRETE: LEVEL ALL EXPOSED EDGES WITH A 3/4" TRIANGULAR MOLDING, OR FINISH WITH AN APPROVED EDGING TOOL.

FLAP GATE: THE FLAP GATE SHALL BE ARMO CO MODEL 10-C, OR APPROVED EQUAL. THE FLAP GATE SHALL BE PAINTED WITH ONE COAT ZINC DUST PAINT, FOLLOWED BY TWO COATS OF ALUMINUM PAINT.



LAWRENCE E. WELLS

A R C H I T E C T
254 LAURA, SUITE 205
WICHITA, KANSAS 67211

DATE	5/10/01
DRAWN	ZGW
CHECKED	ZGW
REVISED	

KINKAID PARK APTS.

FOR KINKAID, INC. WICHITA, KANSAS
MARION AND SOUTH TOPEKA WICHITA, KANSAS
PROJECT 545
PLAN NO. C-362

SHEET 2 OF 3

