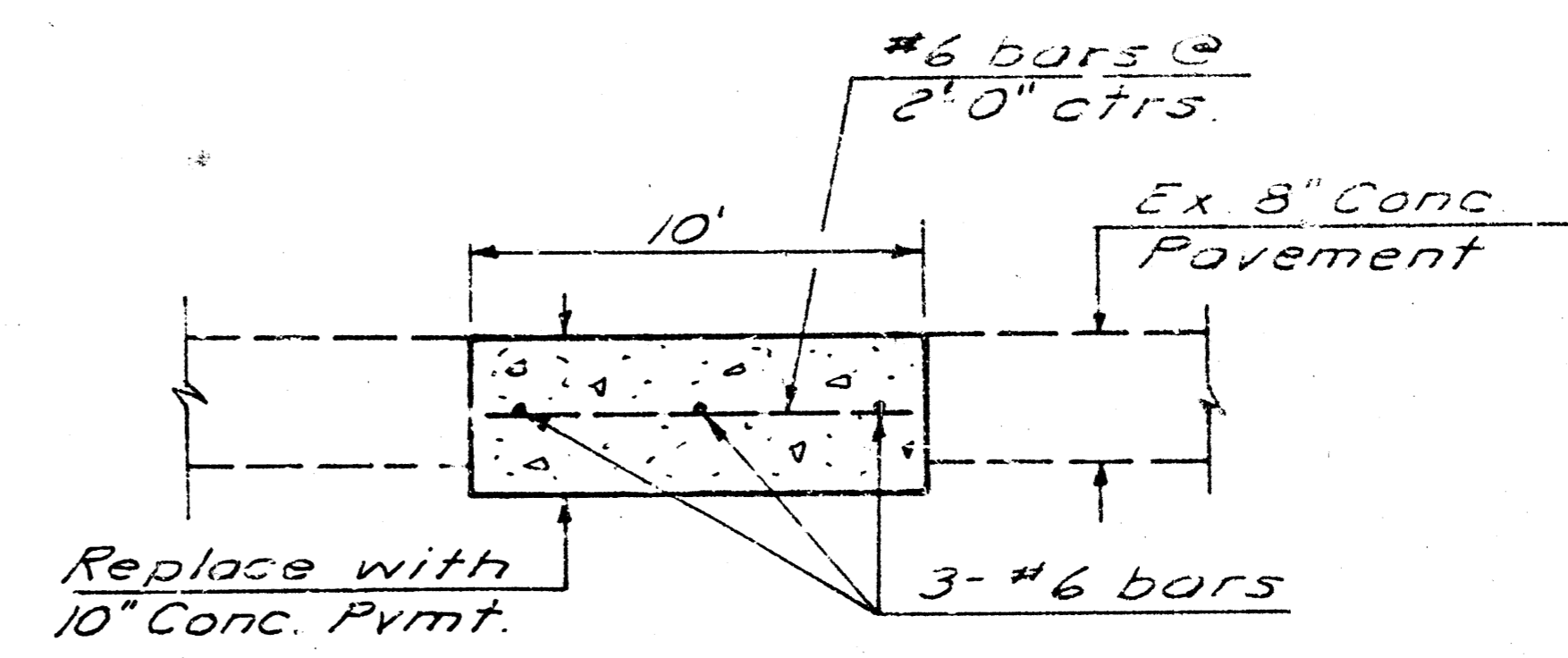


B.M. Rim of MH - E 29th @ Ohio Elev. 126.86

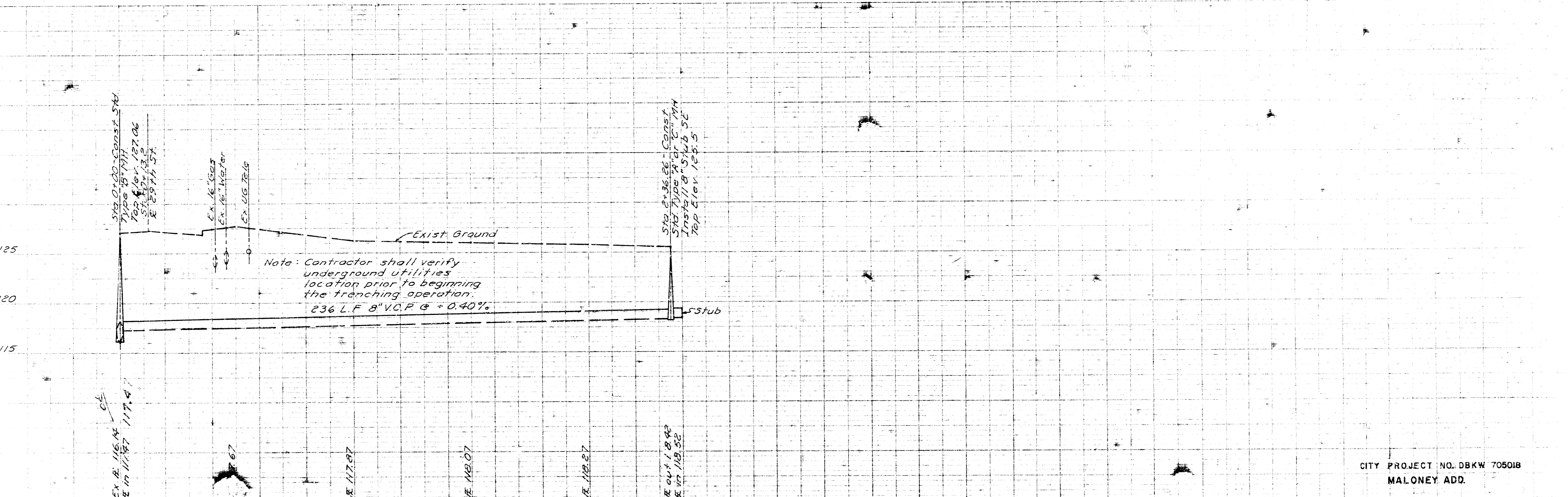
REPRODUCED FROM ORIGINAL DRAWING
 7-15-52

Note: Pavement Cut of 29th St. shall be phased so that two lanes will be open to traffic at all times



DETAIL OF PAVEMENT CUT

NOTE TO CONTRACTOR
 This project will be constructed under the supervision of the CITY ENGINEER and conforming to the SPECIFICATIONS of the CITY OF WASHINGTON. The CONTRACTOR will reimburse the City of Washington for costs of engineering, plans, and inspection.



Note: Contractor shall verify underground utilities location prior to beginning the trenching operation.
 236 L.F. 8" V.C.P. @ +0.40%