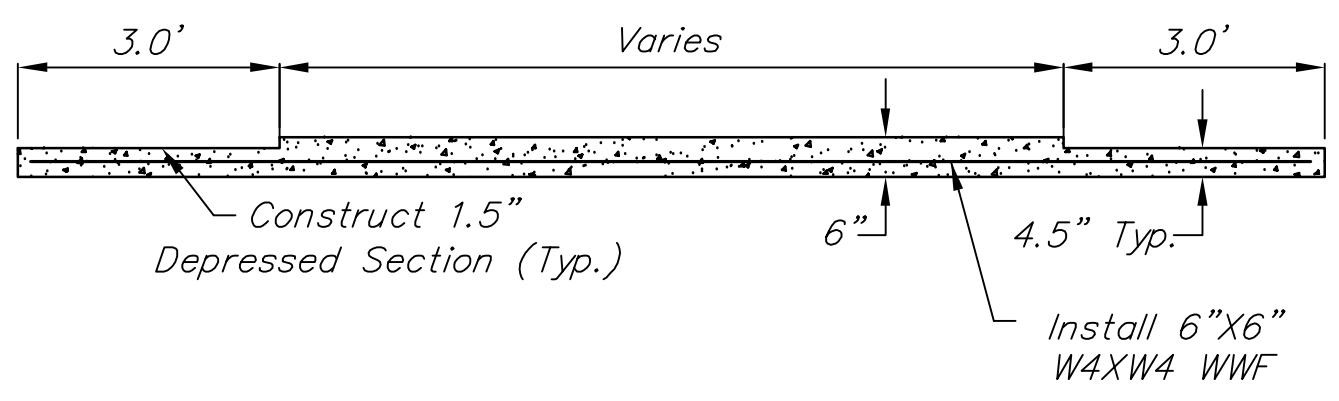


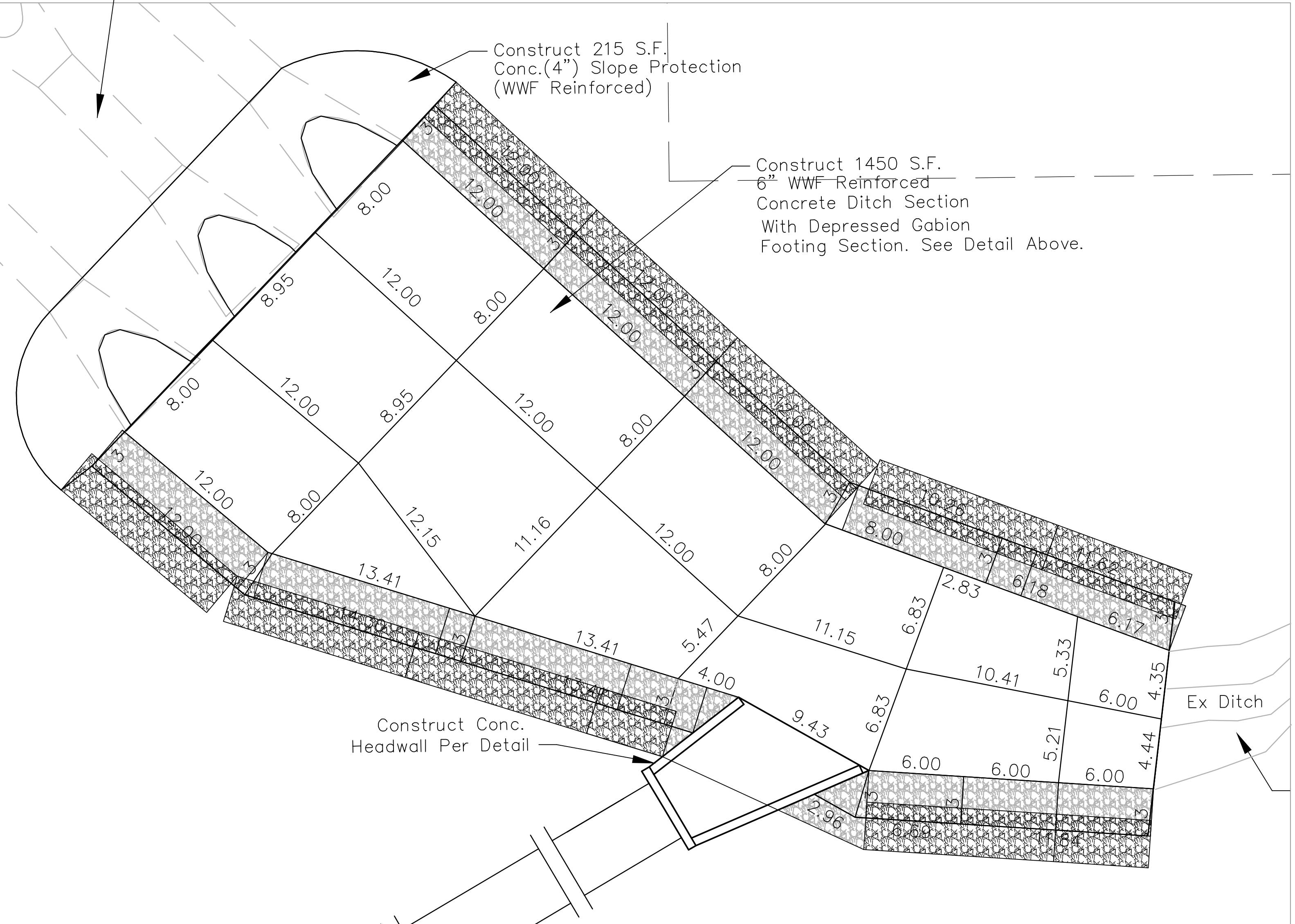
Outfall Structure Quantities	
Concrete	27.69 C.Y.
Reinforcement	184.32 S.Y.
Rock Base	17.65 C.Y.
Gabion Rock	73.3 C.Y.

*For Information Only

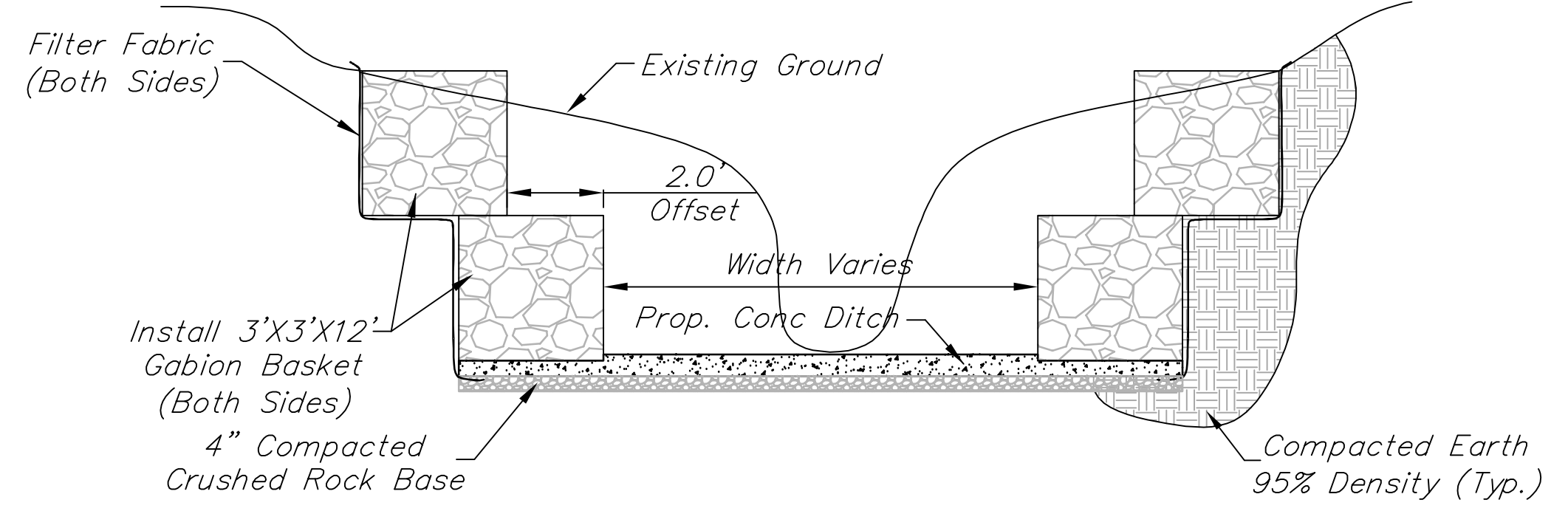


CONCRETE DITCH DETAIL

Contractor to repair Ex. Depression with Fill Compacted to 95% Cost to be INCIDENTAL to Project

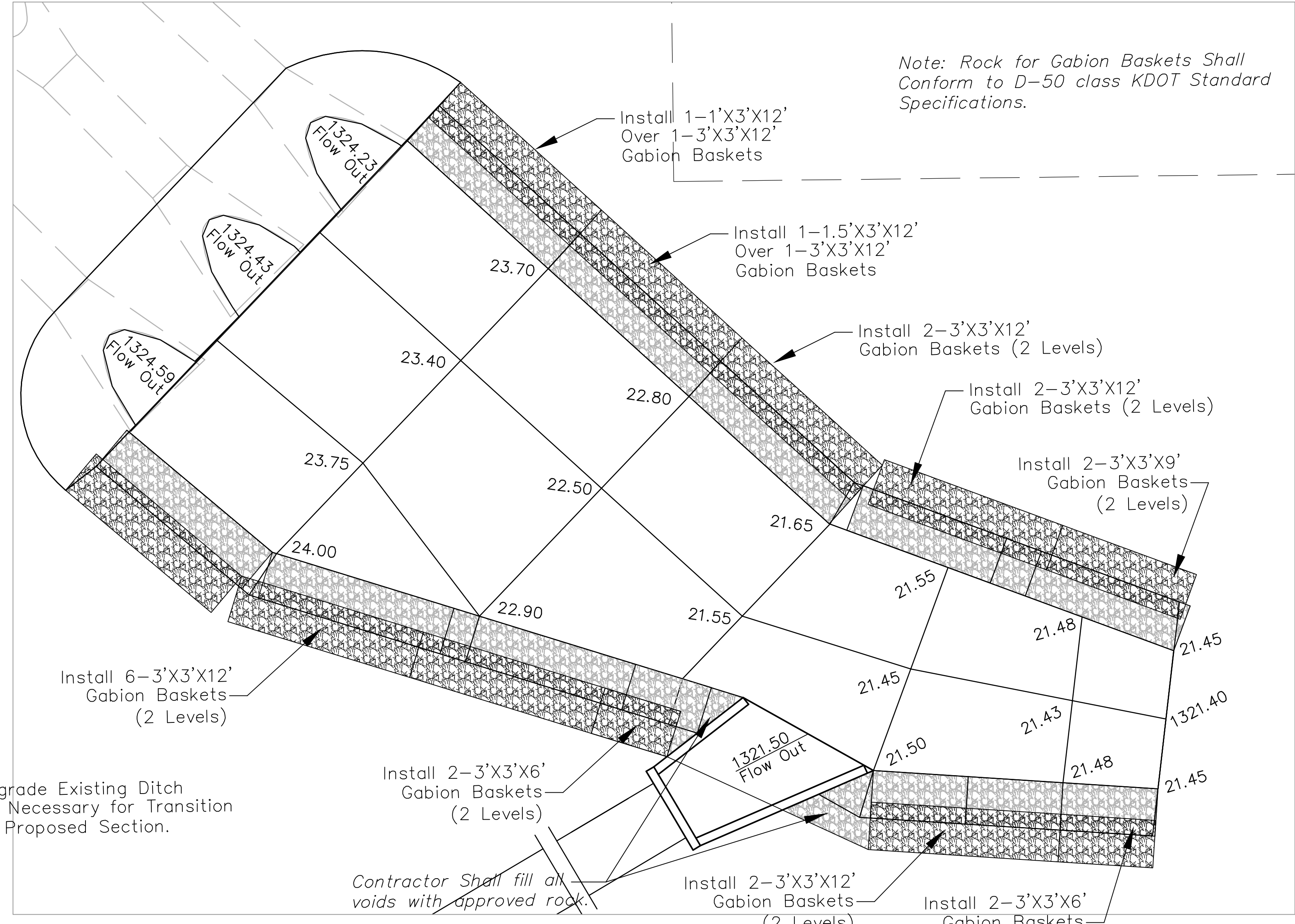


CONCRETE DITCH DIMENSION DETAIL



CONCRETE DITCH GABION DETAIL

All earthwork associated with outfall construction shall be INCIDENTAL to the Bid Item (Common Excavation)



Note: Rock for Gabion Baskets Shall Conform to D-50 class KDOT Standard Specifications.

Regrade Existing Ditch As Necessary for Transition to Proposed Section.

Contractor Shall fill all voids with approved rock.

Drawing File: E:\eng\central and tyler intersection\land\base.dwg

Design: T. Azlere
Drawn:
Approved: J.F. Bradley
Scale: 1:20

Project No. 05-10E393 CAPITAL IMPROVEMENT PROJECT
CENTRAL & TYLER INTERSECTION
CONCRETE DITCH DETAIL
PAVEMENT, STORM WATER SEWER, TRAFFIC CONTROL IMPROVEMENTS

Baughman Company, P.A.
315 Ellis St. Wichita, KS 67211 P 316-262-7271 F 316-262-0149
ENGINEERING | SURVEYING | PLANNING | LANDSCAPE ARCHITECTURE