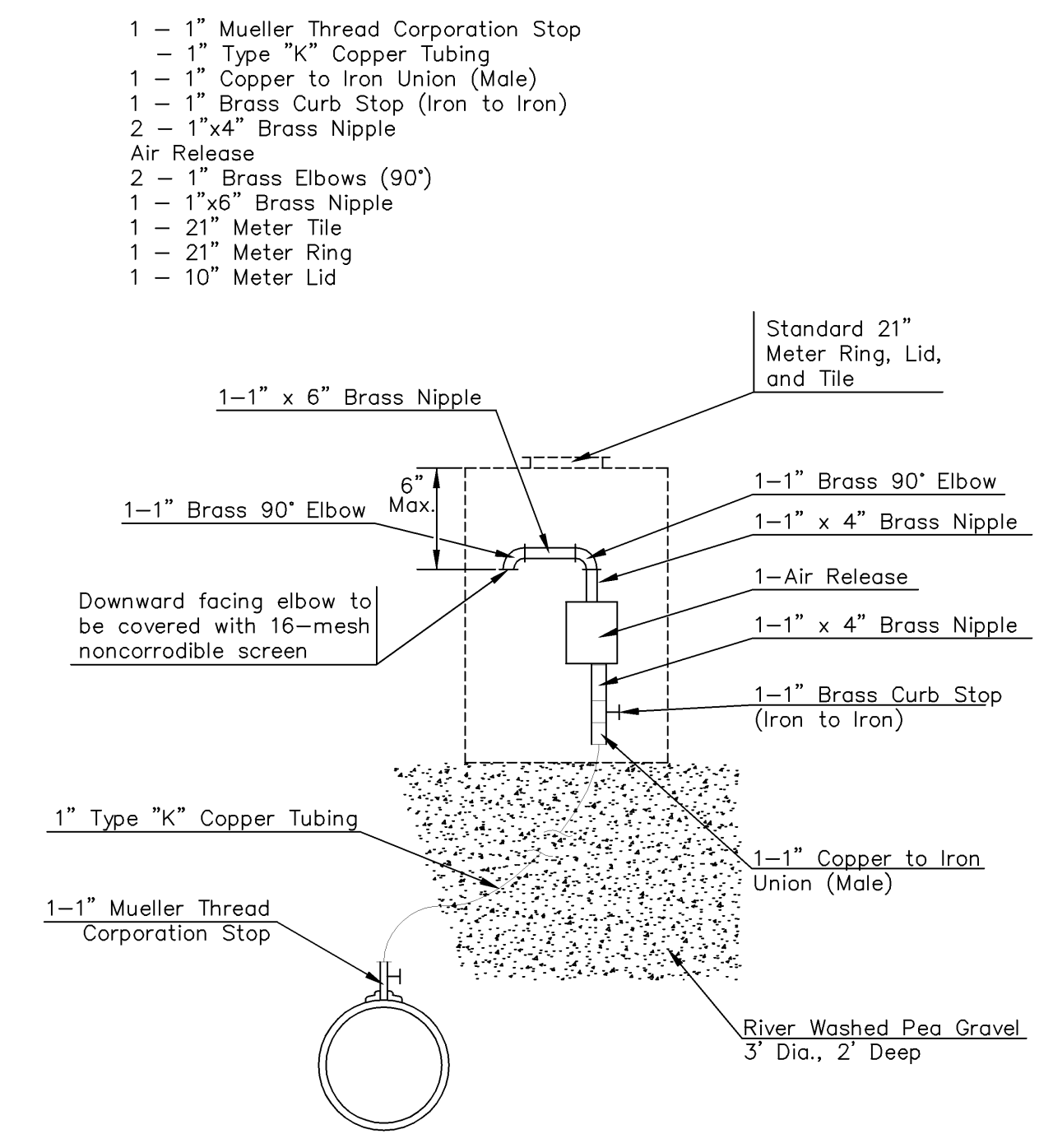
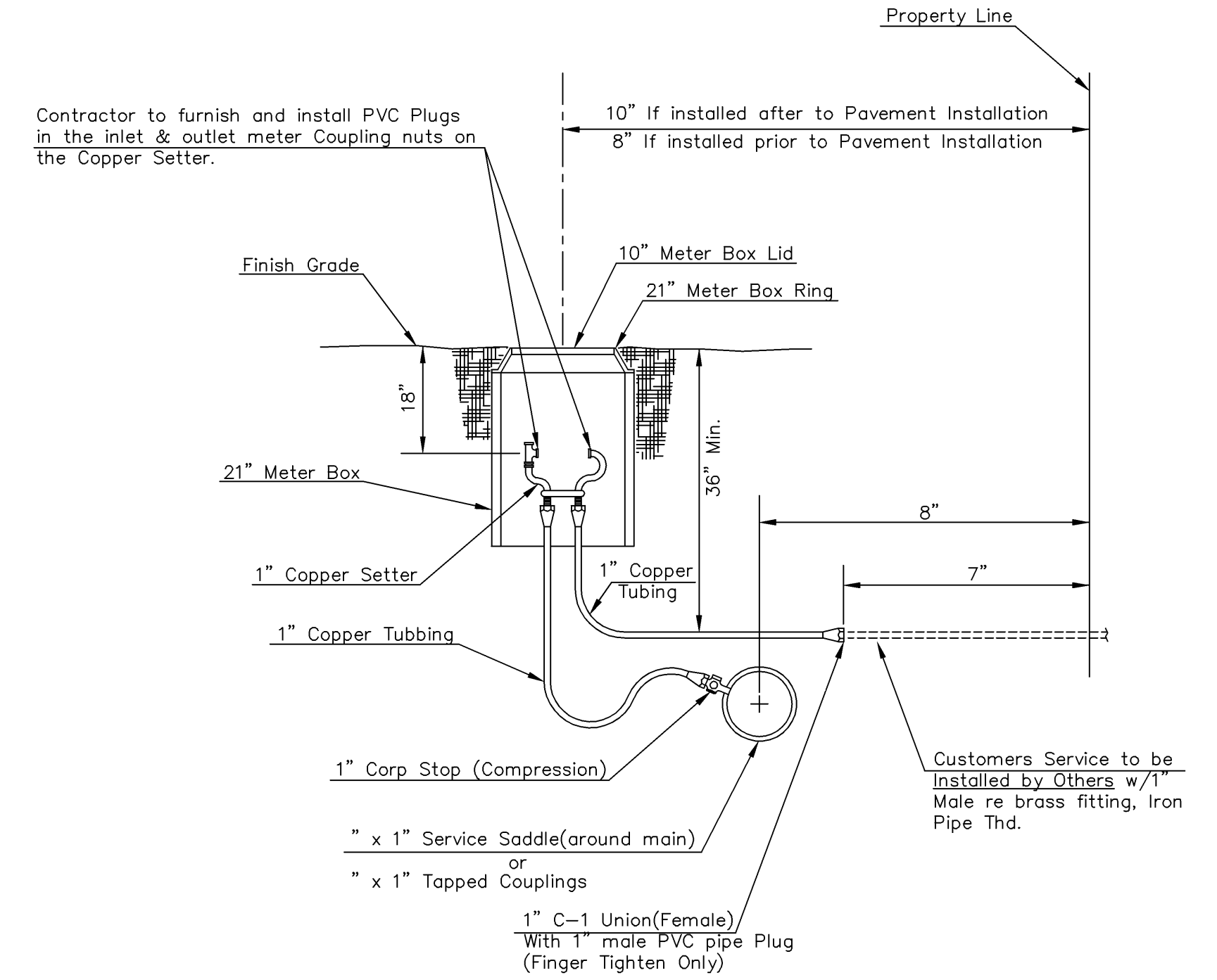


Note: Service Saddles are not required on top of 8" mains or larger
 Meter boxes will be located on each lot to be served, as indicated in the SPECIAL PROVISIONS

**TYPICAL METER SETTING
 LONG SERVICE 1"**

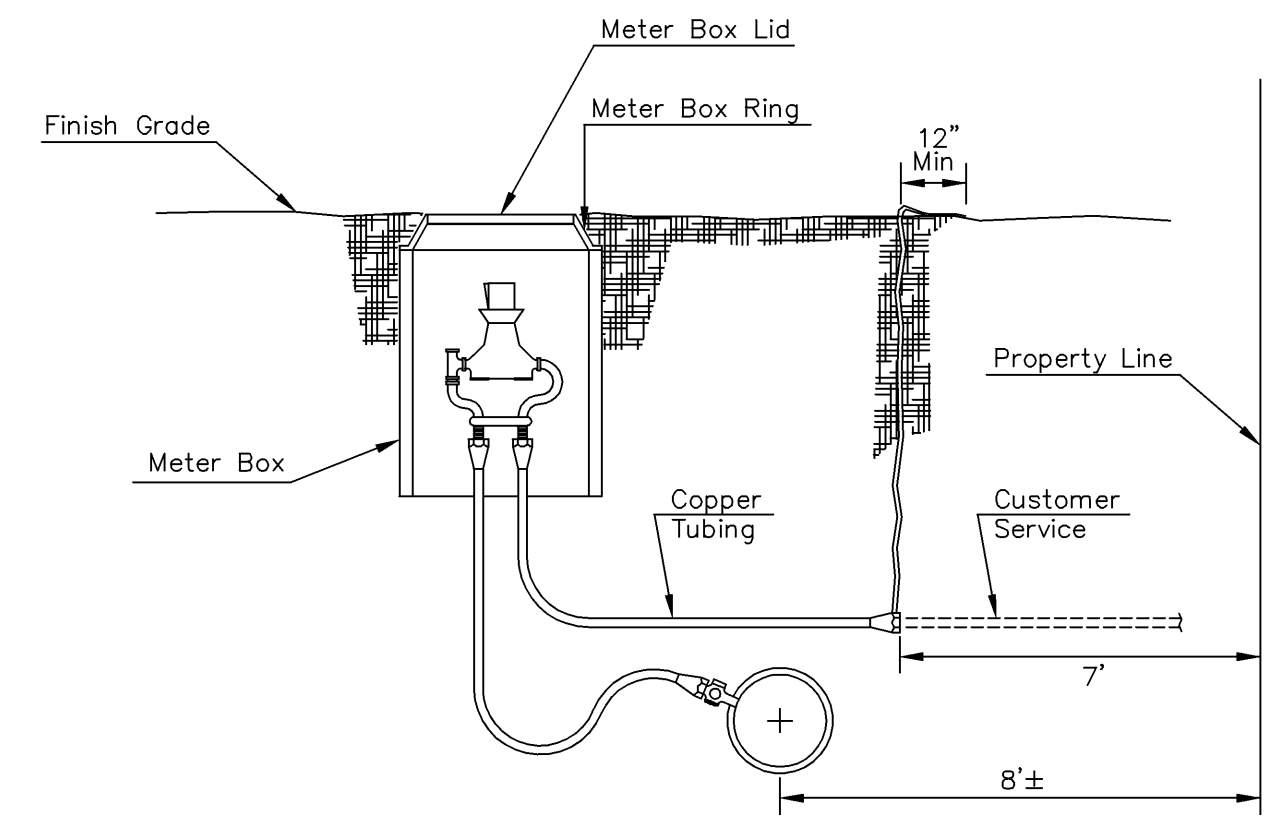


MATERIALS FOR AIR RELEASE ASSEMBLY



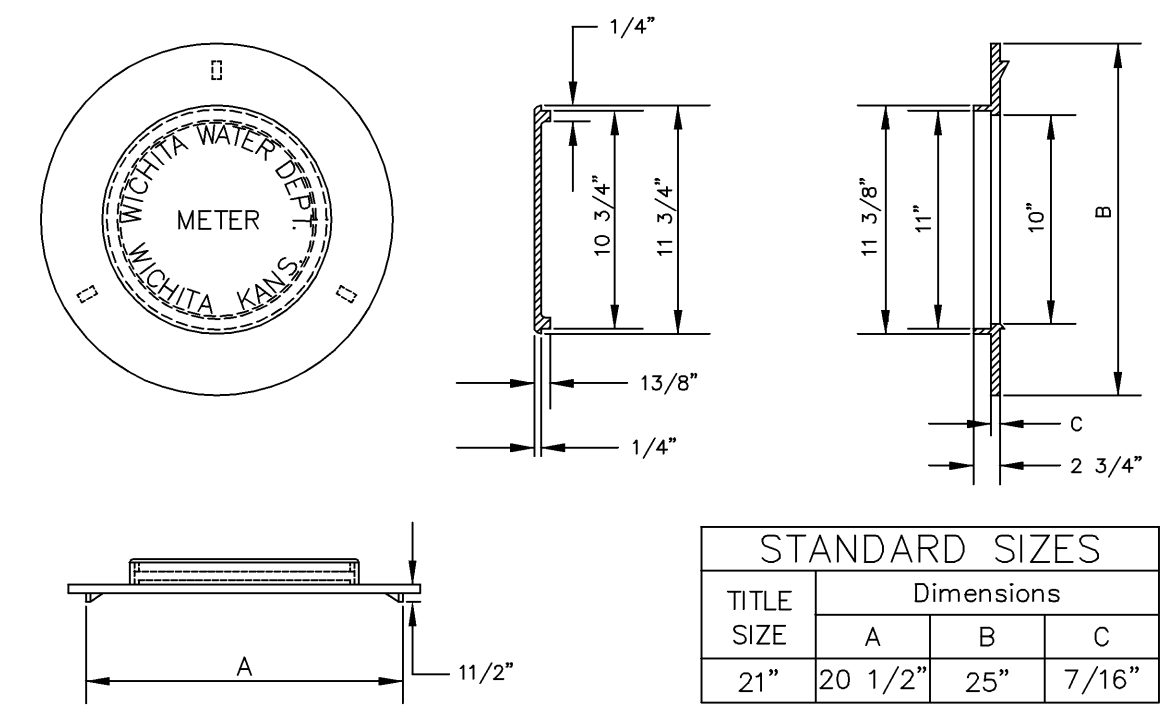
Note: Service Saddles are not required on top of 8" mains or larger
 Meter boxes will be located on each lot to be served, as indicated in the SPECIAL PROVISIONS

**TYPICAL METER SETTING
 SHORT SERVICE 1"**



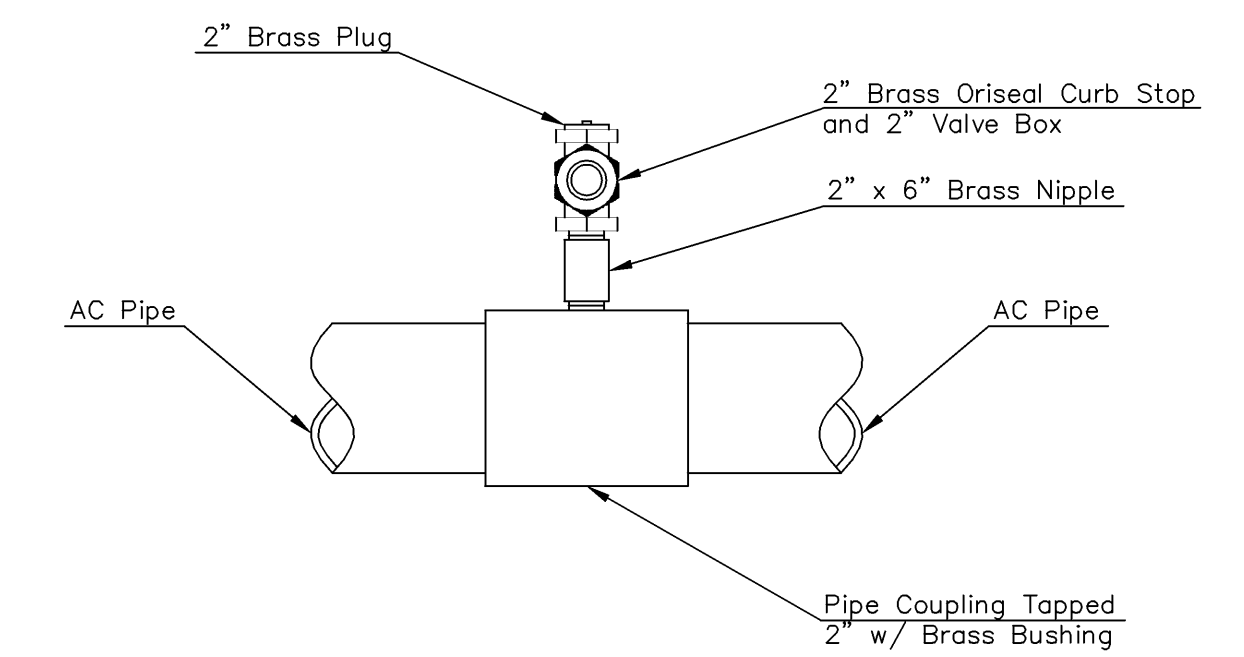
If customers service line is not installed at the time Meter Box and Setter are installed, Plastic Flagging is to be tied to the end of copper tubing & brought straight up to top of ground and be exposed a minimum of 12" on top of ground. (Plastic Flagging to be Furnished by Contractor)

**TYPICAL METER SETTING
 PLASTIC FLAGGING**



Other Approved Ring And Lids: Ford Meter Box Co. Inc. 21" Ring & Lid Catalog No. C-4

RING & LID FOR METER VAULTS



Note: Where the 2" service outlet assembly is to be used to connect a 2" main to another main, the 2" valve shall be a 2" IPT Gate Valve. 2" Ball or Globe valve shall not be approved for this use.

2" SERVICE OUTLET ASSEMBLY

REVISED APR 97

<p>THE CITY OF WICHITA CITY ENGINEER'S OFFICE CITY HALL - SEVENTH FLOOR 455 NORTH MAIN STREET WICHITA, KANSAS 67202 (316) 268-4600 (316) 268-4114 FAX</p>	STANDARD WATER SERVICE DETAILS	
	M. E. LINDEBAK P.E. - CITY ENGINEER	
	PROJECT NUMBER 448-90218	INDEX CODE 633-747
	DATE MAR 96	SHEET 9 OF 16