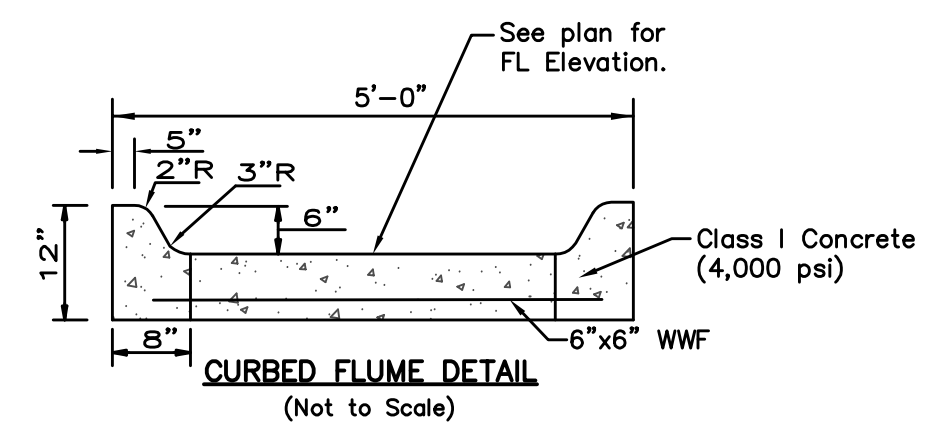
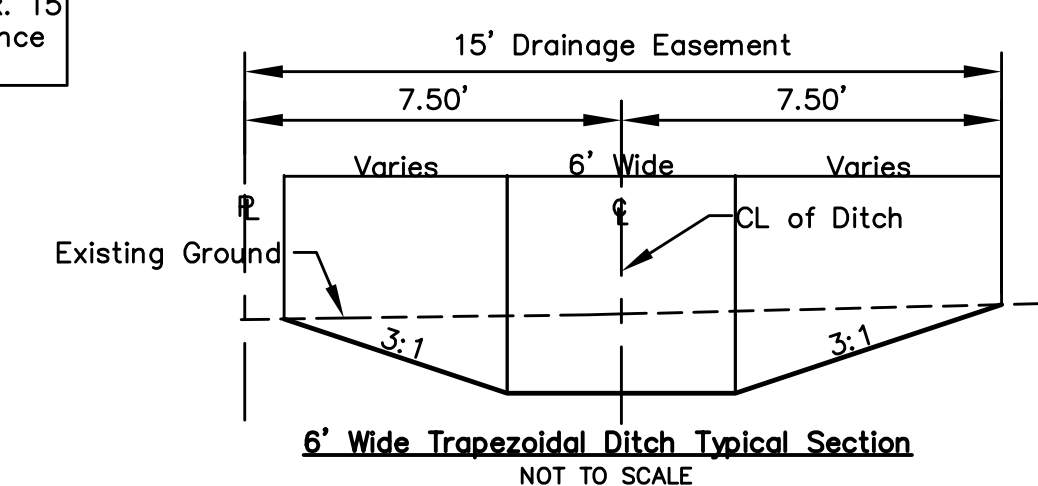


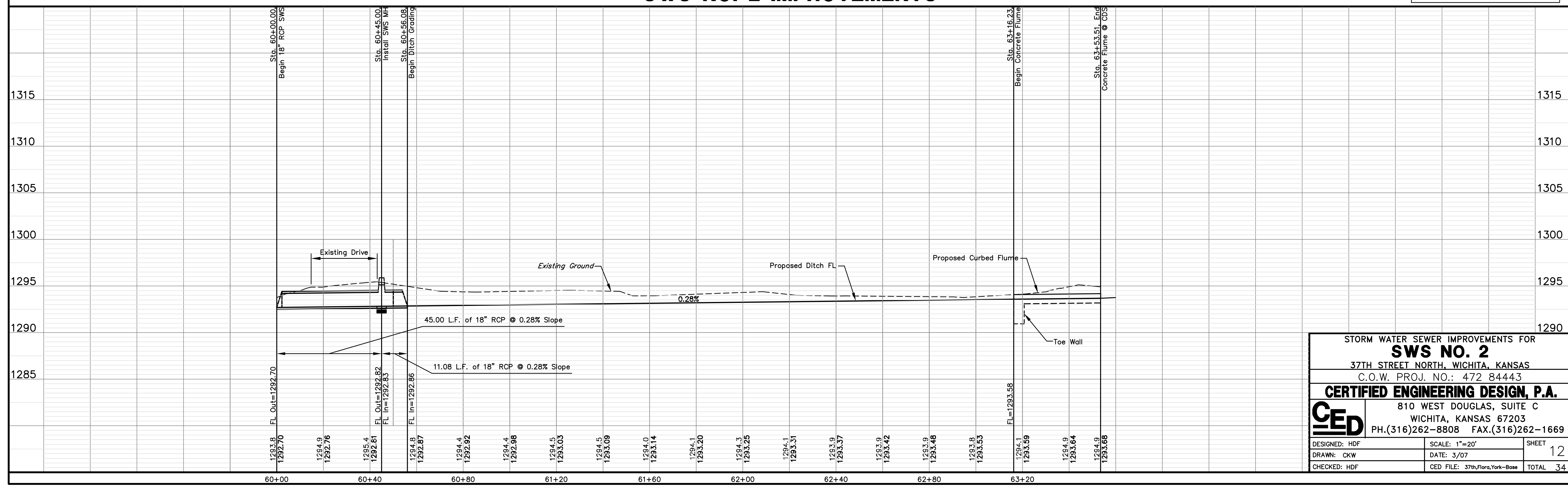
- = Proposed 5" A.C. Pavement on 5" Crushed Rock Base
- = Proposed Concrete Drives, Valley Gutters, Curb & Gutter, etc.

UTILITY LEGEND

- = Catv Box
- = Guard Post/Bollard
- = Guy Anchor
- = Guy Pole
- = Light Pole
- = Mailbox
- = Gas Meter
- = Power Pole
- = Sign
- = San. Sewer Manhole
- = Storm Sewer Manhole
- = Telephone Riser
- = Water Meter
- = Water Valve
- = Water Well
- = Fire Hydrant
- = Coniferous Tree
- = Deciduous Tree
- = Overhead Electric
- = Gas Line
- = Water Line



SWS NO. 2 IMPROVEMENTS



STORM WATER SEWER IMPROVEMENTS FOR
SWS NO. 2
 37TH STREET NORTH, WICHITA, KANSAS
 C.O.W. PROJ. NO.: 472 84443

CERTIFIED ENGINEERING DESIGN, P.A.
 810 WEST DOUGLAS, SUITE C
 WICHITA, KANSAS 67203
 PH.(316)262-8808 FAX.(316)262-1669

DESIGNED: HDF SCALE: 1"=20' SHEET 12
 DRAWN: CKW DATE: 3/07
 CHECKED: HDF CED FILE: 37th,Flora,York-Base TOTAL 34