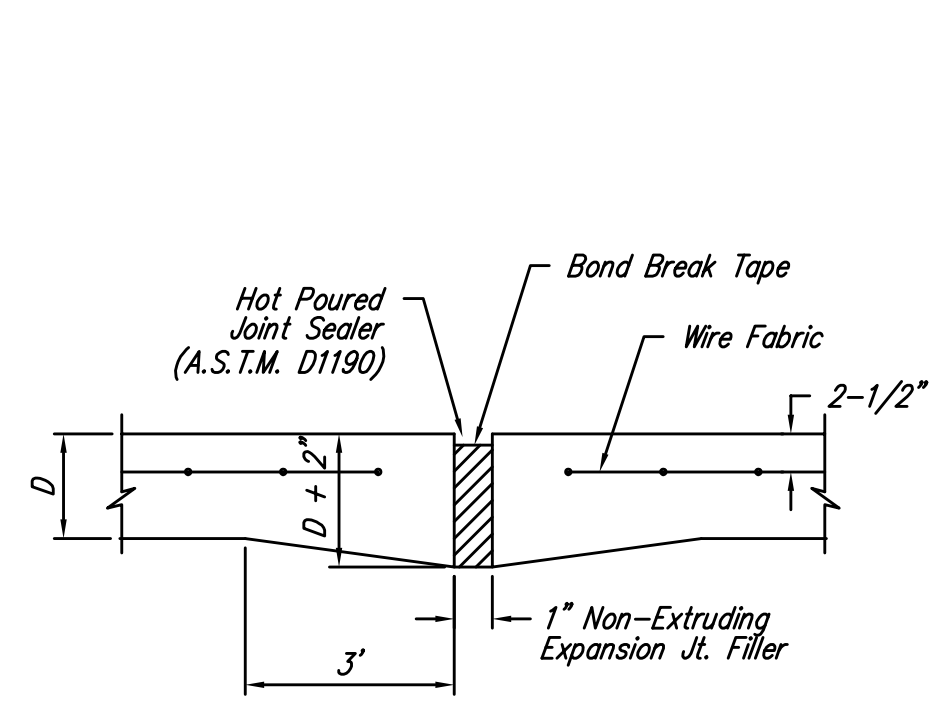
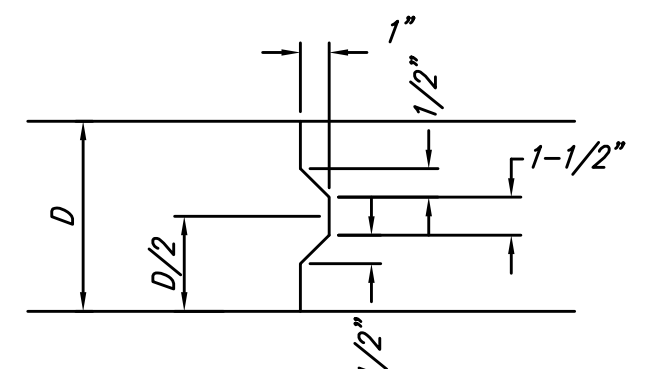


STANDARD WHEELCHAIR RAMP WITH DETECTABLE WARNING CONSTRUCTION DETAIL FOR STREETS WITH COMBINED CURB & GUTTER

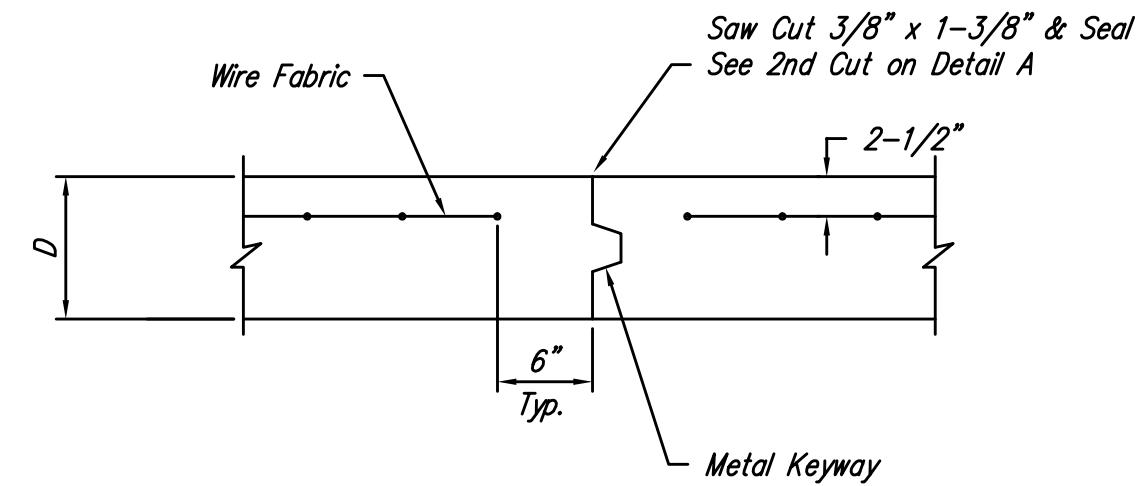


EXPANSION JOINT

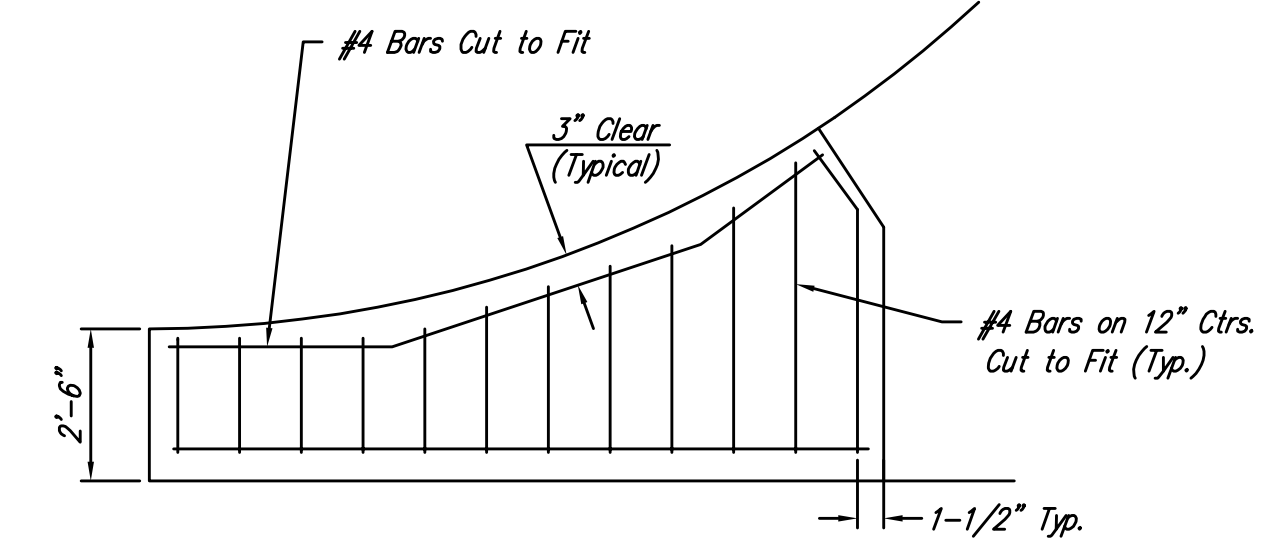
NOTE: Extra Thickness to be Subsidiary to Price of Square Yards Pavement



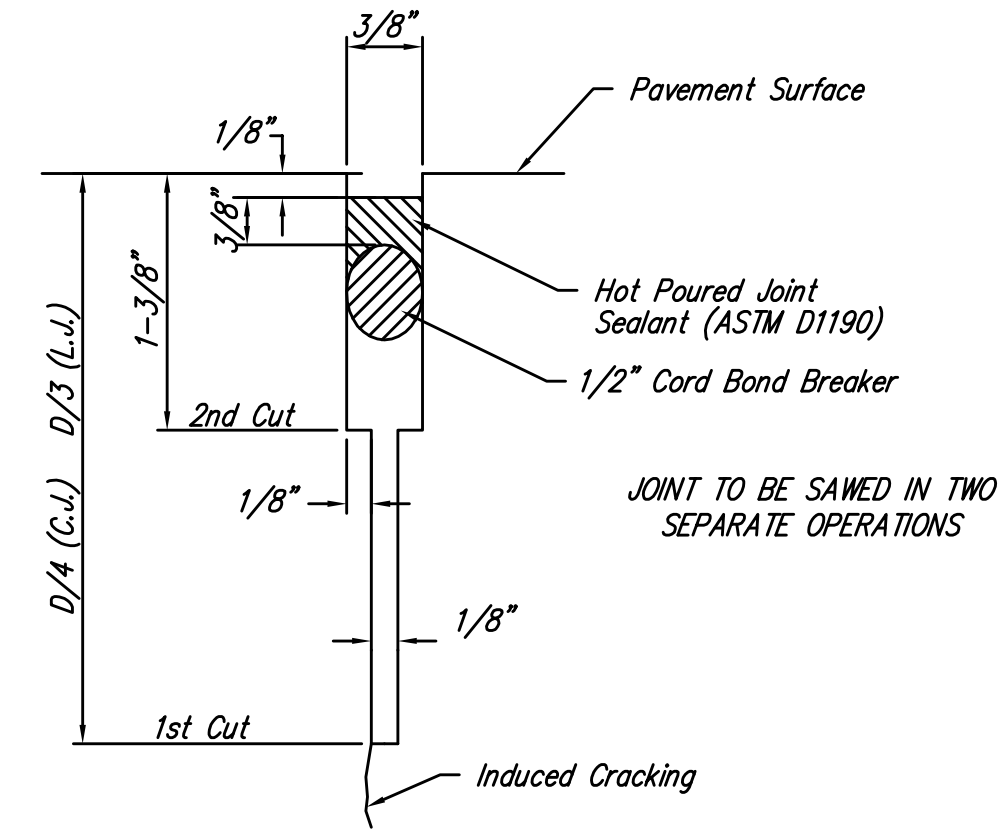
KEYWAY DETAIL



OPTIONAL CONTRACTION JOINT

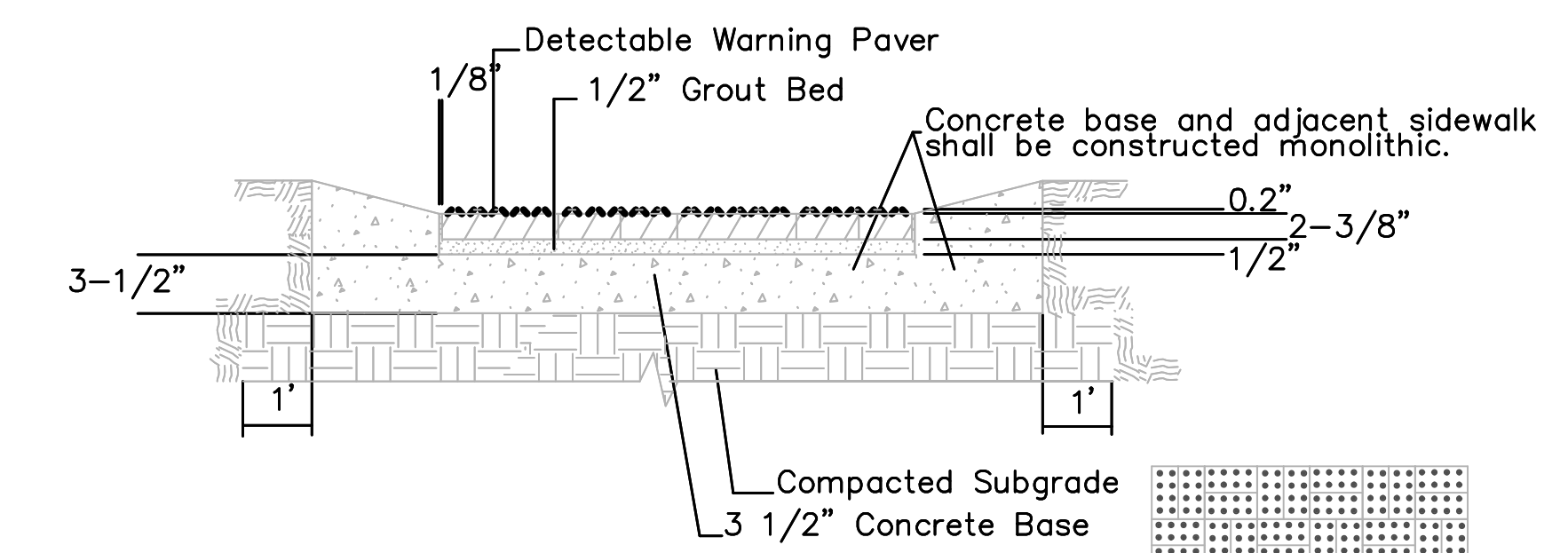


WING REINFORCING DETAIL



SAW JOINT DETAIL

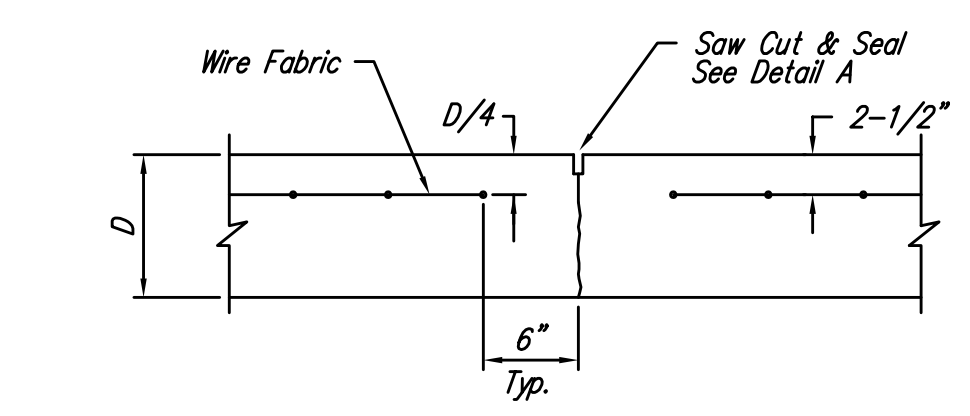
JOINT TO BE SAWS IN TWO SEPARATE OPERATIONS



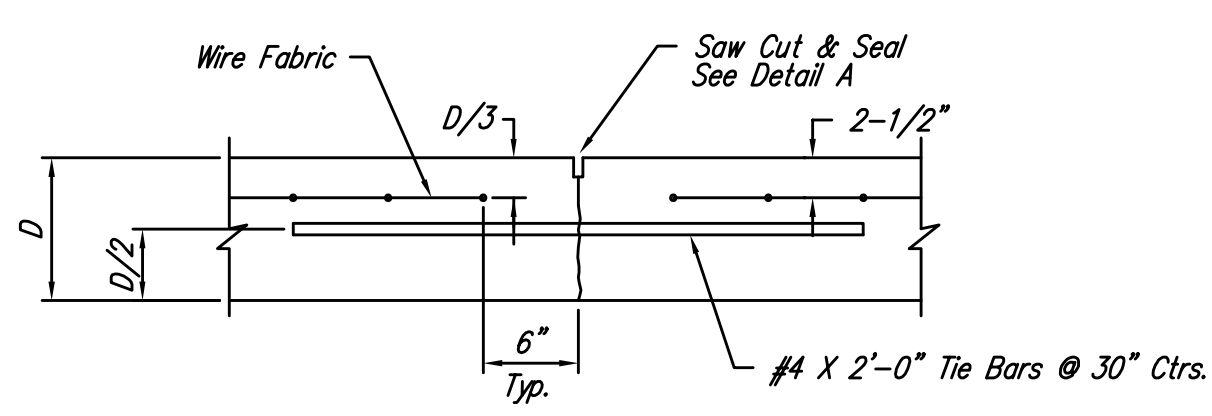
TYPICAL SECTION DETECTABLE WARNING PAVER

NOTE: RAMPS TO COMPLY WITH LATEST ADAAG GUIDELINES. PAVESTONE DETECTABLE WARNING PAVERS (OR AN APPROVED EQUAL) SHALL BE USED IN ALL WHEELCHAIR RAMPS. THE RED PAVER SHALL BE INSTALLED USING A BASKET WEAVE/PARQUET PATTERN. OTHER PATTERNS MAY BE USED WITH APPROVAL OF ENGINEER. SAND FILL JOINTS. ALIGN DOMES IN THE DIRECTION OF PEDESTRIAN TRAVEL.

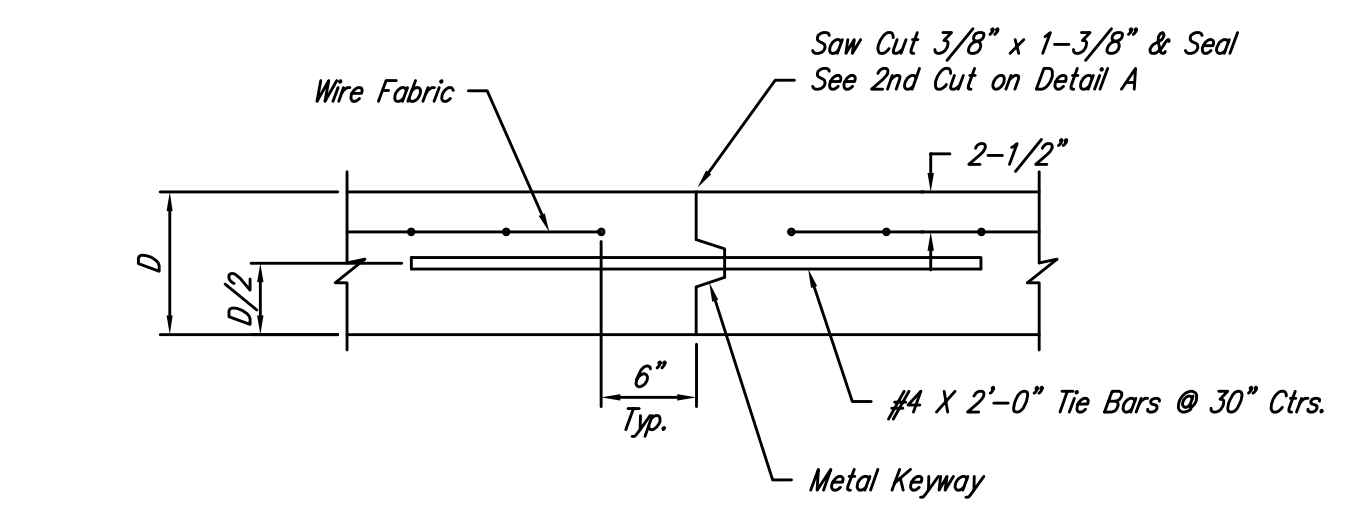
SECTION B-B



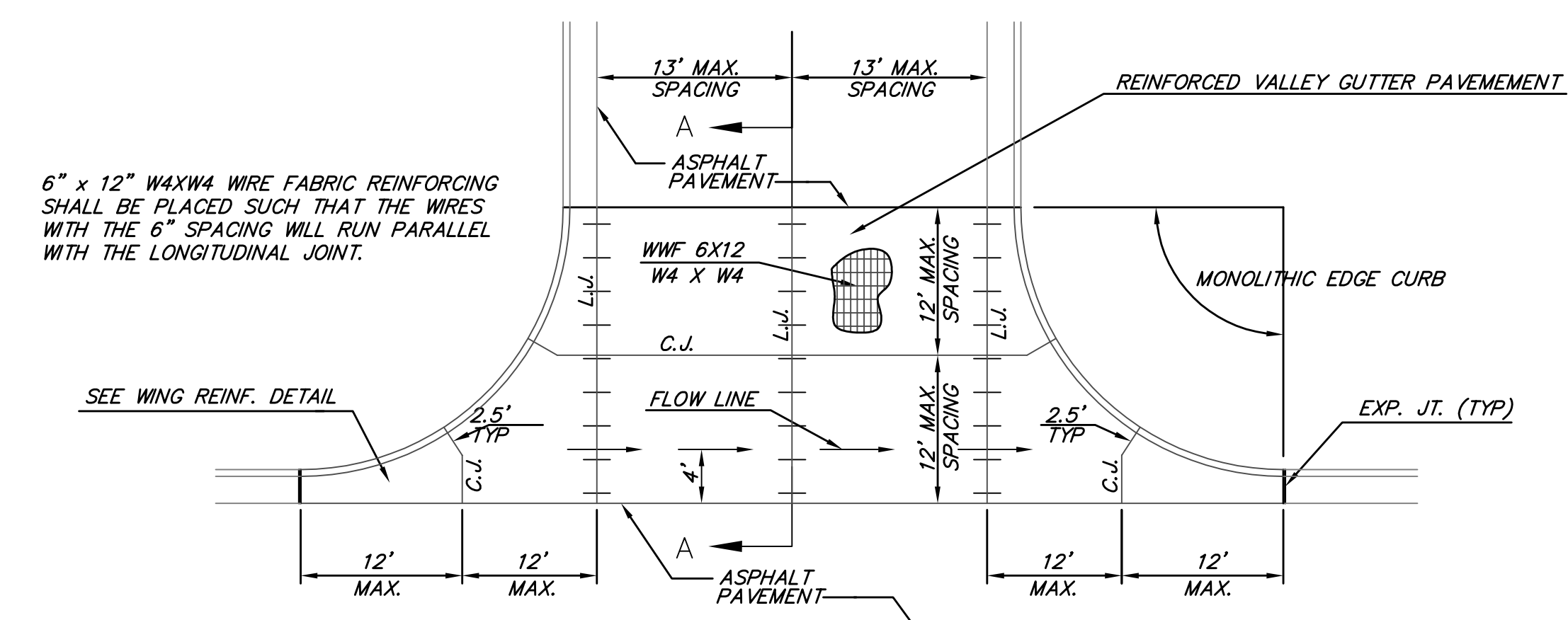
CONTRACTION JOINT DETAIL (C.J.)



LONGITUDINAL JOINT DETAIL (L.J.)

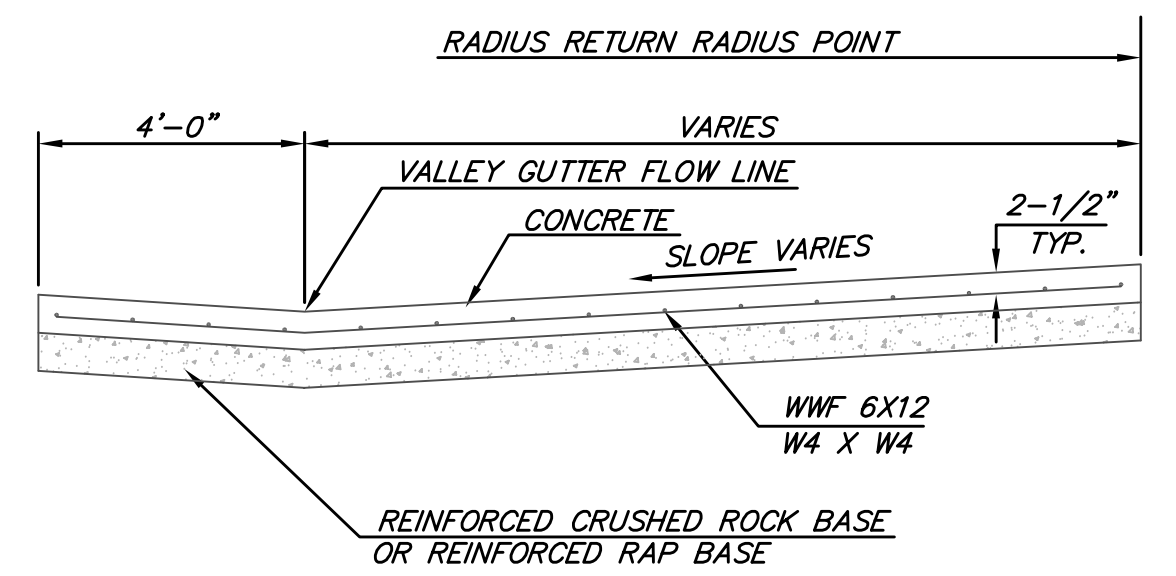


OPTIONAL LONGITUDINAL JOINT DETAIL (L.J.)



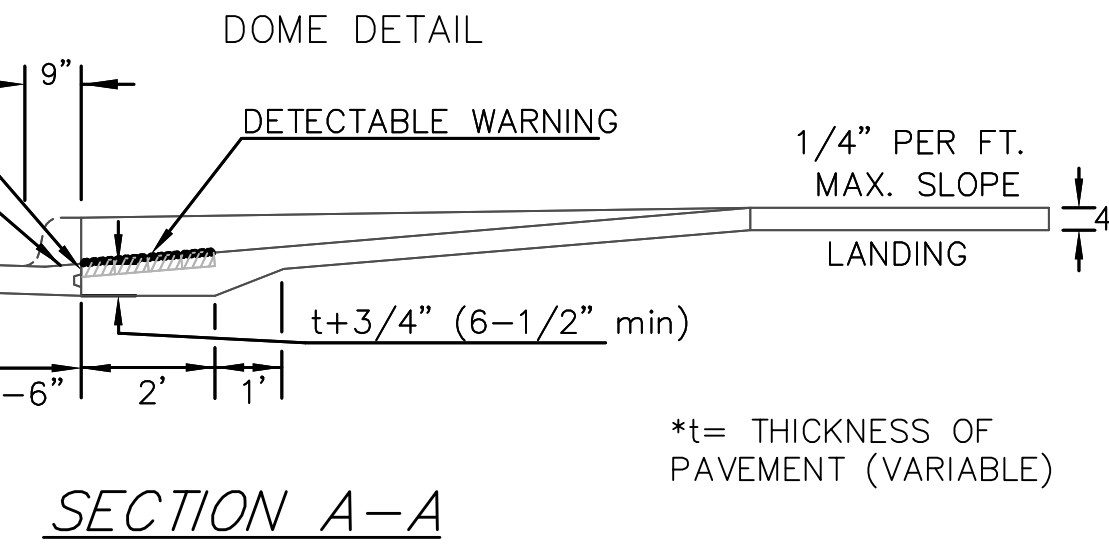
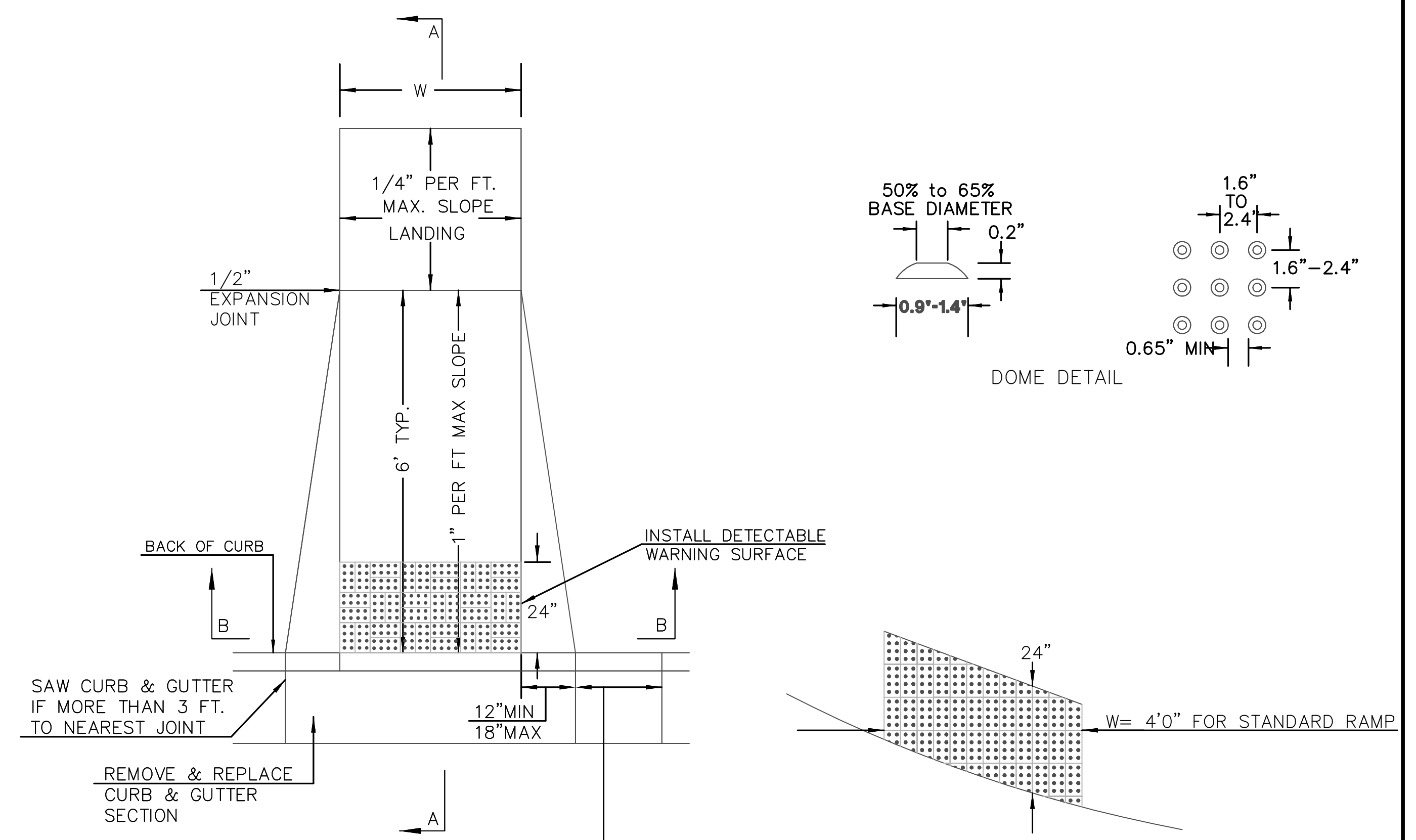
PLAN

6" x 12" W4XW4 WIRE FABRIC REINFORCING SHALL BE PLACED SUCH THAT THE WIRES WITH THE 6" SPACING WILL RUN PARALLEL WITH THE LONGITUDINAL JOINT.

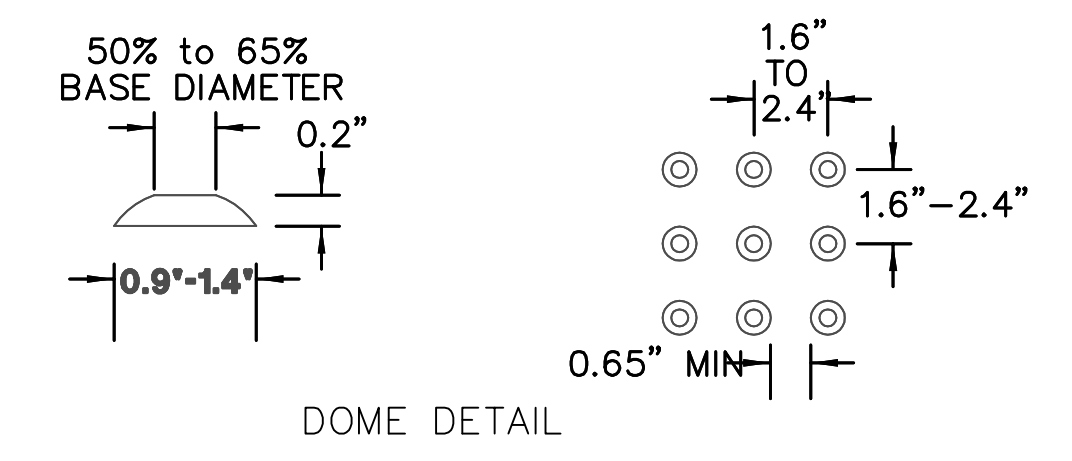


SECTION A-A

REINFORCED VALLEY GUTTER DETAIL



SECTION A-A



DOMES DETAIL

<p>THE CITY OF WICHITA CITY ENGINEER'S OFFICE 455 NORTH MAIN STREET WICHITA, KANSAS 67202 (316) 268-4651 (316) 268-4114 FAX</p>	VALLEY GUTTER DETAILS WHEELCHAIR RAMP DETAILS	
	JAMES L. ARMOUR P.E. - CITY ENGINEER	
	PROJECT NUMBER 472-84443	INDEX CODE (766121)
	DATE MAR 2006	SHEET 15 OF 34