

WATERFRONT RESIDENTIAL
ENTRY PHASE - PART B

ELEC. NOTES & SCHEDULE	
SHEET TITLE	
472-84598	
PROJECT NUMBER	
SRS	
DESIGN BY	MKEC
DRAWN BY	GJA
CHECKED BY	
ISSUED	July 2008
REVISED	
SHEET NO.	
2 of 8	

SYMBOL LIST		
SYMB.	DESCRIPTION	MOUNTING OR AS INDICATED
□	JUNCTION BOX	
▣	CONDUIT MARKER	
□-○	POLE MOUNTED LIGHT FIXTURE WITH LETTER DESIGNATION	POLE
▣	PULL BOX	
—○—	*HOME RUN' WITH 1 HOT AND 1 NEUTRAL	WALL OR CEILING
—○—	*PARTIAL HOME RUN' WITH 1 HOT AND 1 NEUTRAL	WALL OR CEILING
—#—	CONDUIT RUN WITH HOT, 1 NEUTRAL, 1 GROUND	FLOOR OR EARTH

ABBREVIATIONS	
ABBR.	DESCRIPTION
a,b,c,...	SWITCHING SCHEME
A	AMPERES
ABBR.	ABBREVIATIONS
AFF	ABOVE FINISHED FLOOR
AFG	ABOVE FINISHED GRADE
AIC	AMPERES INTERRUPTING CAPACITY
BFG	BELOW FINISHED GRADE
C	CONDUIT
CONTIN	CONTINUATION
GFI/GFCI	GROUND FAULT INTERRUPTER
GND	GROUND
HP	HORSE POWER
J-BOX	JUNCTION BOX
MIN	MINIMUM
NC	NORMALLY CLOSED
NO	NORMALLY OPEN
P	POLE
UNO/UNO	UNLESS OTHERWISE NOTED
V	VOLTS
W	WIRE
WP	WEATHER PROOF IN SERVICE

LOADS FOR LOADCENTER A			
LOAD TYPE	CONNECTED LOAD	DEMAND FACTOR	DEMAND LOAD
RECEPTACLES	0.00	1	0.00
RECEPTACLES-10K	0.00	0.5	0.00
MECHANICAL	0.00	1	0.00
LIGHTING	3.50	1.25	4.38
KITCHEN	0.00	1	0.00
SUB FEED	0.00	1	0.00
MISCELLANEOUS	0.00	1	0.00
TOTAL CONNECTED LOAD (KVA)			3.50
TOTAL DEMAND LOAD (KVA)			4.38
TOTAL DEMAND LOAD (AMP)			5

GENERAL NOTES:

A. ADMINISTRATIVE:
A.1. THESE GENERAL NOTES APPLY TO ALL WORK IN THIS PROJECT.
A.2. REFER TO ARCHITECTURAL, STRUCTURAL, MECHANICAL, PLUMBING PLANS AND SPECIFICATIONS FOR ADDITIONAL GENERAL NOTES WHICH WILL APPLY HERE.
A.3. DO NOT SCALE DRAWINGS, DRAWINGS ARE DIAGRAMMATIC. ALL DIMENSIONS SHOWN ARE APPROXIMATE. ALL LOCATIONS SHALL BE FIELD VERIFIED.
A.4. NOTES ON DRAWINGS SHALL APPLY TO ALL SIMILAR CONDITIONS WHETHER THEY ARE REPEATED OR NOT.
A.5. THE CONTRACTOR MUST VISIT THE SITE TO FAMILIARIZE HIMSELF WITH THE EXISTING SITE CONDITIONS WHICH WILL BE AFFECTED DURING CONSTRUCTION PRIOR TO SUBMITTING HIS BID PROPOSAL.
A.6. ALL WORK SHALL BE IN CONFORMANCE WITH THE NATIONAL ELECTRICAL CODE-2005 EDITION OR THE ADDITION REQUIRED BY THE AUTHORITY HAVING JURISDICTION, LOCAL/MUNICIPAL CODES, AND THE AUTHORITY HAVING JURISDICTION.
A.7. VERIFY AND MEET ALL UTILITY COMPANY REQUIREMENTS AND TRANSFORMER PAD SIZES.
A.8. THE ELECTRICAL UTILITY SERVING THIS WORK IS: WESTAR ELECTRIC, THE REPRESENTATIVE IS: BECKY THOMPSON (316) 261-6320.
A.9. REFER TO ARCHITECTURAL PLANS/SPECIFICATIONS FOR A DETAILED DESCRIPTION OF ALL ALTERNATES. ELECTRICAL WORK MAY BE INVOLVED THAT DOES NOT SHOW ON THE ELECTRICAL PLANS.

B. CONDUIT AND WIRE:
B.1. ALL EXPOSED CONDUIT SHALL BE INSTALLED PARALLEL OR PERPENDICULAR, AND SHALL BE RIGID GALVANIZED UNO.
B.2. ALL CONDUITS STUBBED OUT OF BUILDING OR TO ANY LOCATION, SHALL BE CAPPED AND MARKED.
B.3. EXTERIOR EXPOSED CONDUIT RUNS WILL NOT BE PERMITTED. (EXCEPT FOR NEW SERVICE ENTRANCES POWER/TELEPHONE OR NOTED OTHERWISE ON PLAN.)
B.4. UNDERGROUND/IN SLAB CONDUIT MAY BE SCHEDULE 40 PVC-1" MINIMUM WITH STEEL ELLS, ELBOWS AND RISERS. ALL RISER PENETRATING SLAB OR EXITING FROM EARTH SHALL BE RIGID STEEL. NO EXCEPTION.
B.5. ALL CONDUIT PENETRATIONS SHALL BE SEALED WITH APPROPRIATE CONDUIT SEALING MATERIAL.
B.6. ALL CONDUITS BELOW GRADE WITHIN STRUCTURE SHALL BE UNDER THE SLAB IN THE DENSE GRADE AGGREGATE. CONDUIT SHALL ENTER THE SLAB AND EXIT THE SLAB ONLY IN THE VERTICAL PLANE, PERPENDICULAR TO THE SLAB.
B.7. ALL PRIMARY CONDUIT RUNS SHALL HAVE RGS SWEEPS AND RISERS. COORDINATE WITH UTILITY COMPANY.
B.8. ALL WIRING OF ALL SYSTEM SHALL BE COPPER WITH INSULATED GROUND WIRE IN STEEL CONDUIT & STEEL BOXES, UNLESS SPECIFICALLY NOTED OTHERWISE.

NOTE: NEUTRALS NOT SHOWN FOR CLARITY.

KEYED NOTES:

- TRANSFORMER WITH NEC REQUIRED FUSING STANDARD SIZE FROM MANUFACTURE OF PEDESTAL. SIZE FUSES AND TRANSFORMER TO MATCH TIMER AND COIL.
- GFCI RECEPTACLE MOUNTED IN MILBANK CABINET.
- 12P/20A/N.C./480V/ LIGHTING CONTACTOR WITH 277V COIL.
- UTILITY COMPANY METER. VERIFY AND SATISFY ALL REQUIREMENTS WITH UTILITY COMPANY.
- CONTRACTOR SHALL VERIFY AND SATISFY ALL REQUIREMENTS WITH UTILITY COMPANY.

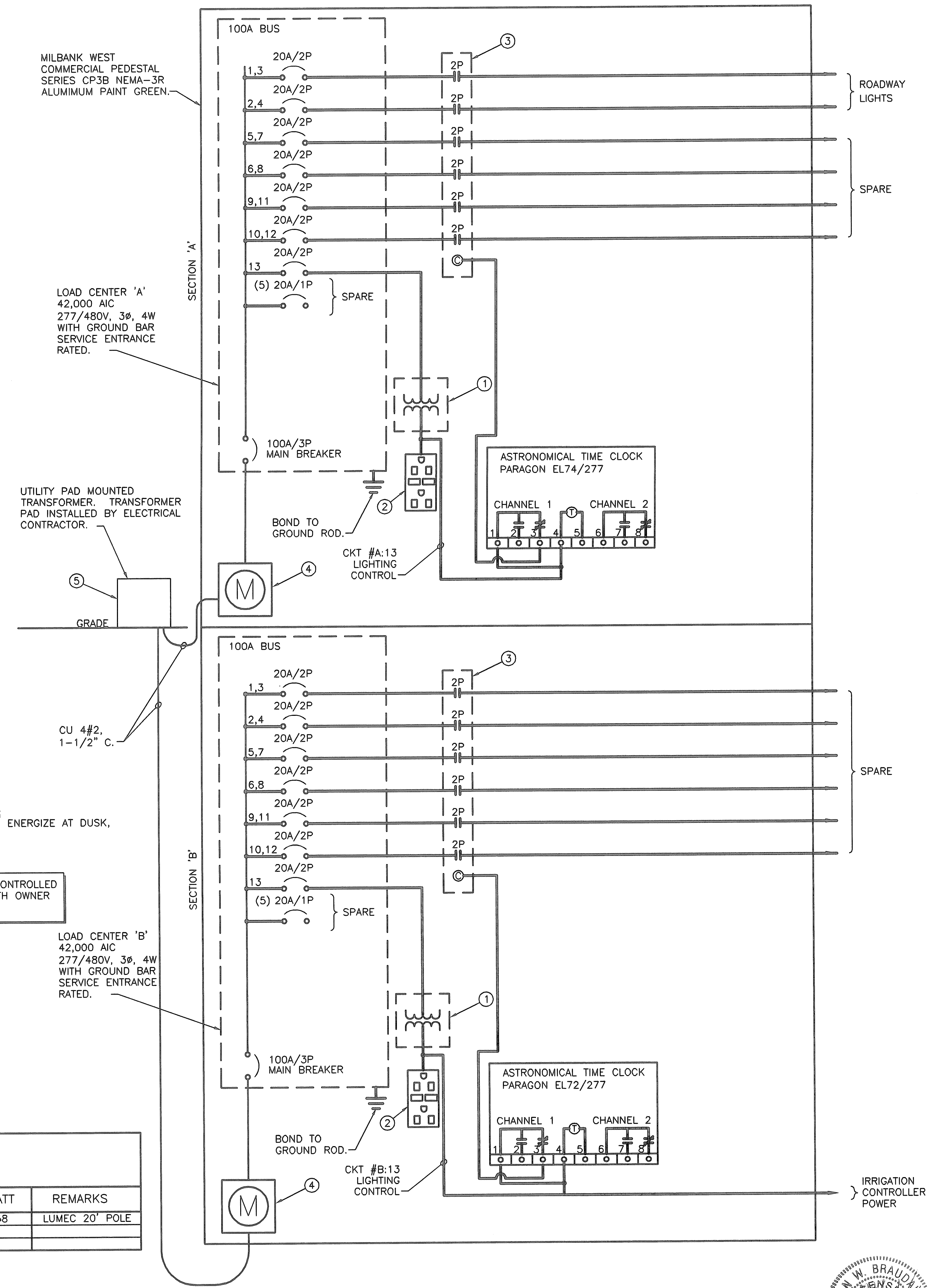
SEQUENCE OF OPERATIONS:
CHANNEL 1: SITE LIGHTING: ENERGIZE AT DUSK, DE-ENERGIZE AT DAWN.

NOTE: VERIFY CIRCUITS CONTROLLED ON EACH CONTACTOR WITH OWNER AND DEVELOPER.

LIGHT FIXTURE SCHEDULE									
FIXT. LTR.	MANUFACTURER	CATALOG NUMBER	LAMPS		FIXT. VOLT.	FINISH	MOUNTING	WATT	REMARKS
			NO.	TYPE					
SA	LUMEC	400MH-DMS50-SGX-480-LR-SGL-WFLG-LM-1A/SSM8V-20-BRTX	1	400 MH ED28	480	TEXTURED BRONZE	20' POLE	458	LUMEC 20' POLE

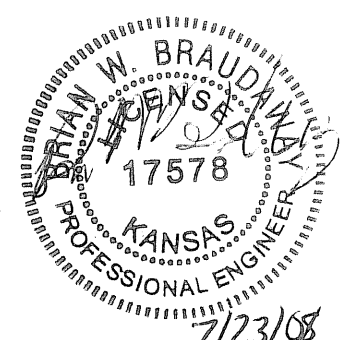
LIGHTING FIXTURE SCHEDULE NOTES:

- VERIFY ALL LIGHTING FIXTURE LOCATIONS, FINISHES, AND VOLTAGE WITH ENGINEER PRIOR TO INSTALL.
- ALL HID FIXTURES SHALL BE "BURNED-IN" AS PER LAMP MANUFACTURER'S RECOMMENDATIONS TO INSURE PROPER LAMP LIFE.
- SUBMIT LIST OF LAMPS FOR ENGINEER'S REVIEW WITH TYPE OF LAMP AND MANUFACTURER TO BE USED FOR EACH FIXTURE LISTED PRIOR TO ORDERING. LAMP TO BE MATCHED WITH FIXTURE.
- ALL FIXTURE HARDWARE ACCESSIBLE TO THE PUBLIC SHALL BE TAMPER RESISTANT. NO EXCEPTION.
- FIXTURE SUBSTITUTIONS: NOT ALLOWED.
- ALL FIXTURES SHALL BE "U.L." LABELLED. ALL LIGHTING FIXTURES EXPOSED TO WEATHER OR MOISTURE SHALL BEAR U.L. "WET LOCATION" LABEL, AND LIGHTING FIXTURES EXPOSED TO DAMPNESS SHALL BEAR U.L. "DAMP LOCATION" LABEL.
- ELECTRICAL CONTRACTOR SHALL CHECK AND COORDINATE ALL LIGHTING FIXTURE CATALOG NUMBERS WITH THE INTENT OF FIXTURE DESCRIPTIONS, LISTED ACCESSORIES AND TYPE OF INSTALLATION.



ELECTRICAL PEDESTAL 'A/B' DIAGRAM

SCALE: NONE



PLOTED: Wednesday, July 23, 2008 @ 01:59PM

J:\CIVIL\06266\DWG\ELEC\ET-1.DWG 7/23/08