

ELEC. DETAILS

SHEET TITLE
472-84598
PROJECT NUMBER

DESIGN BY
SRS

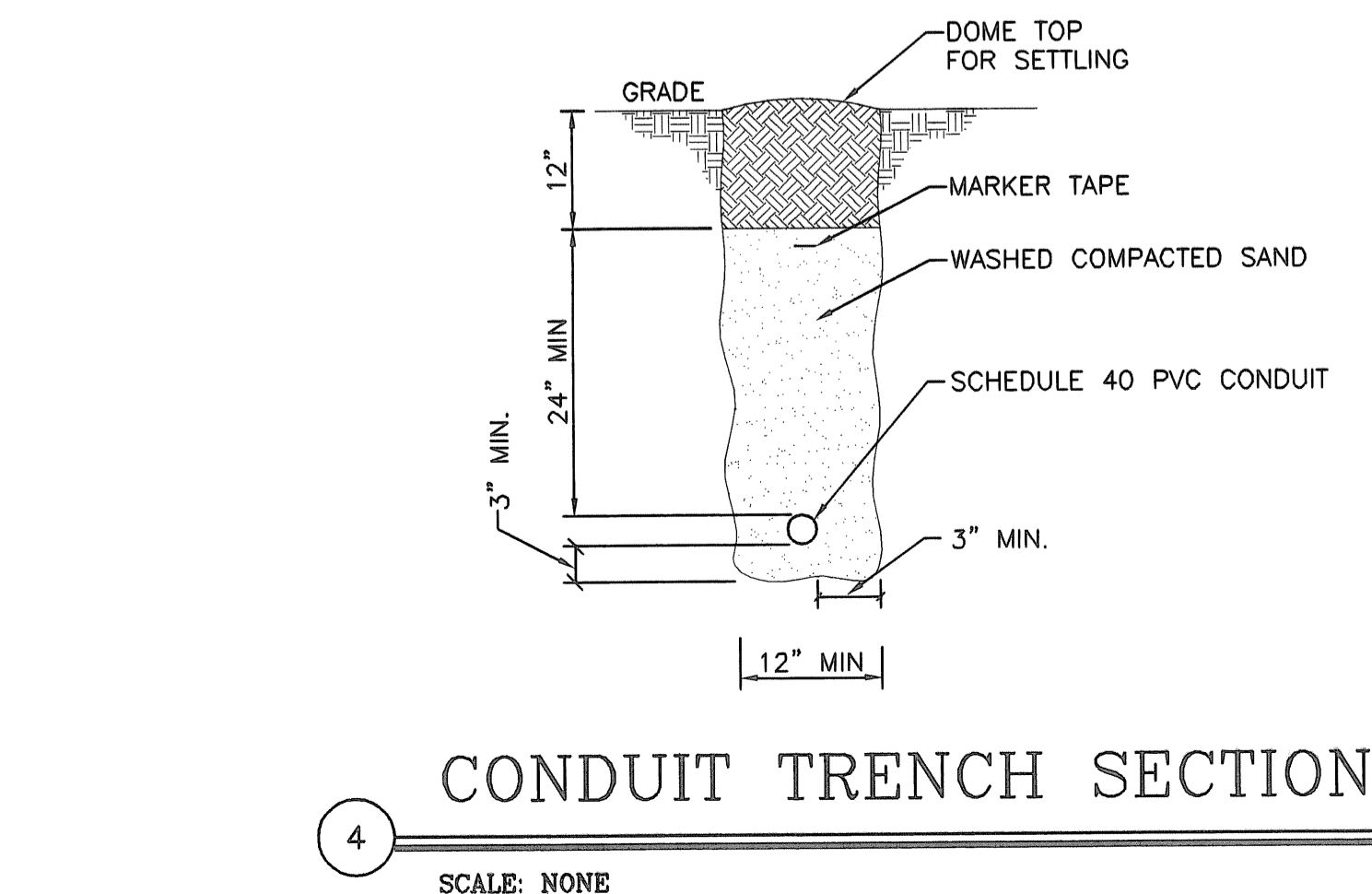
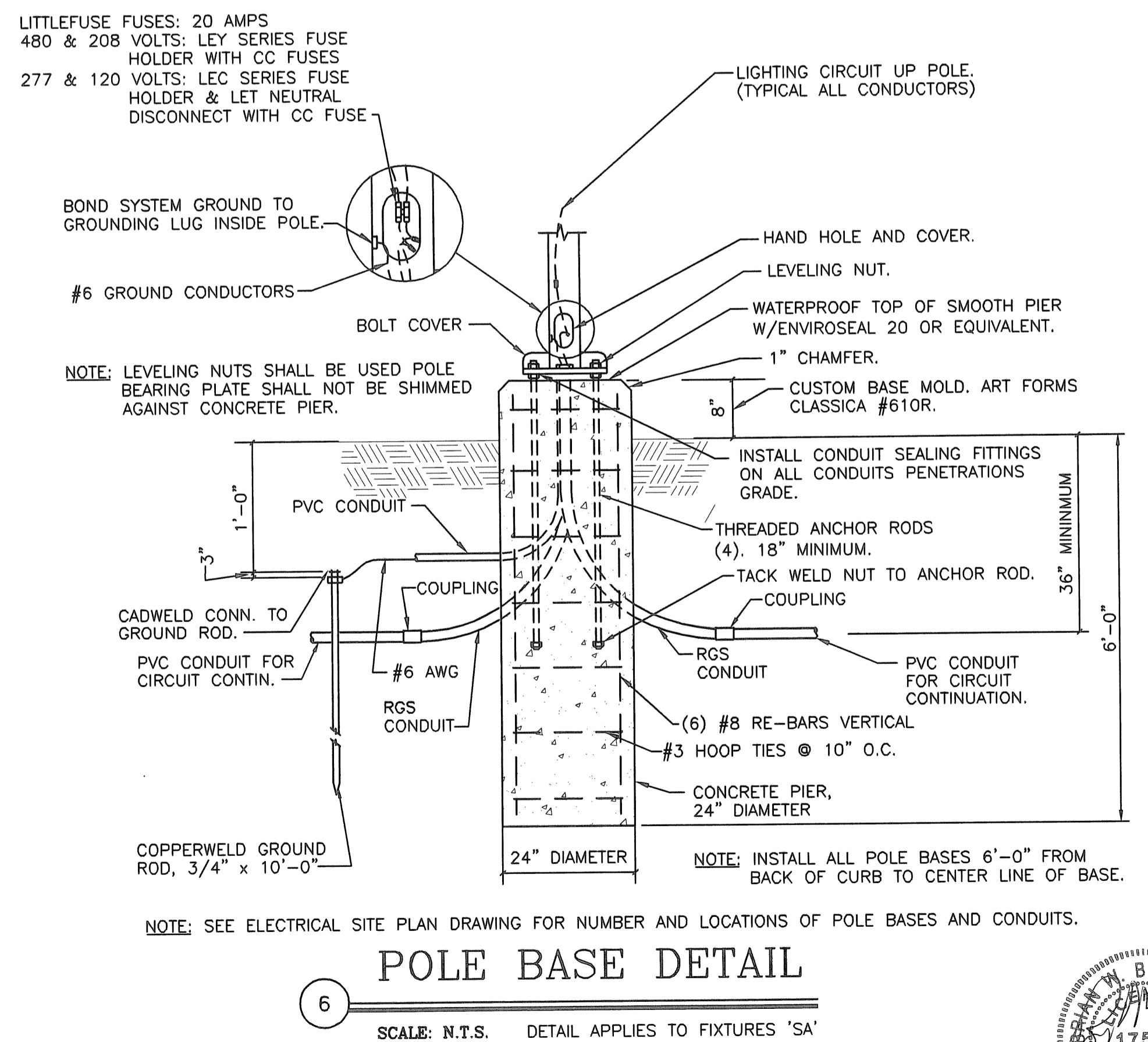
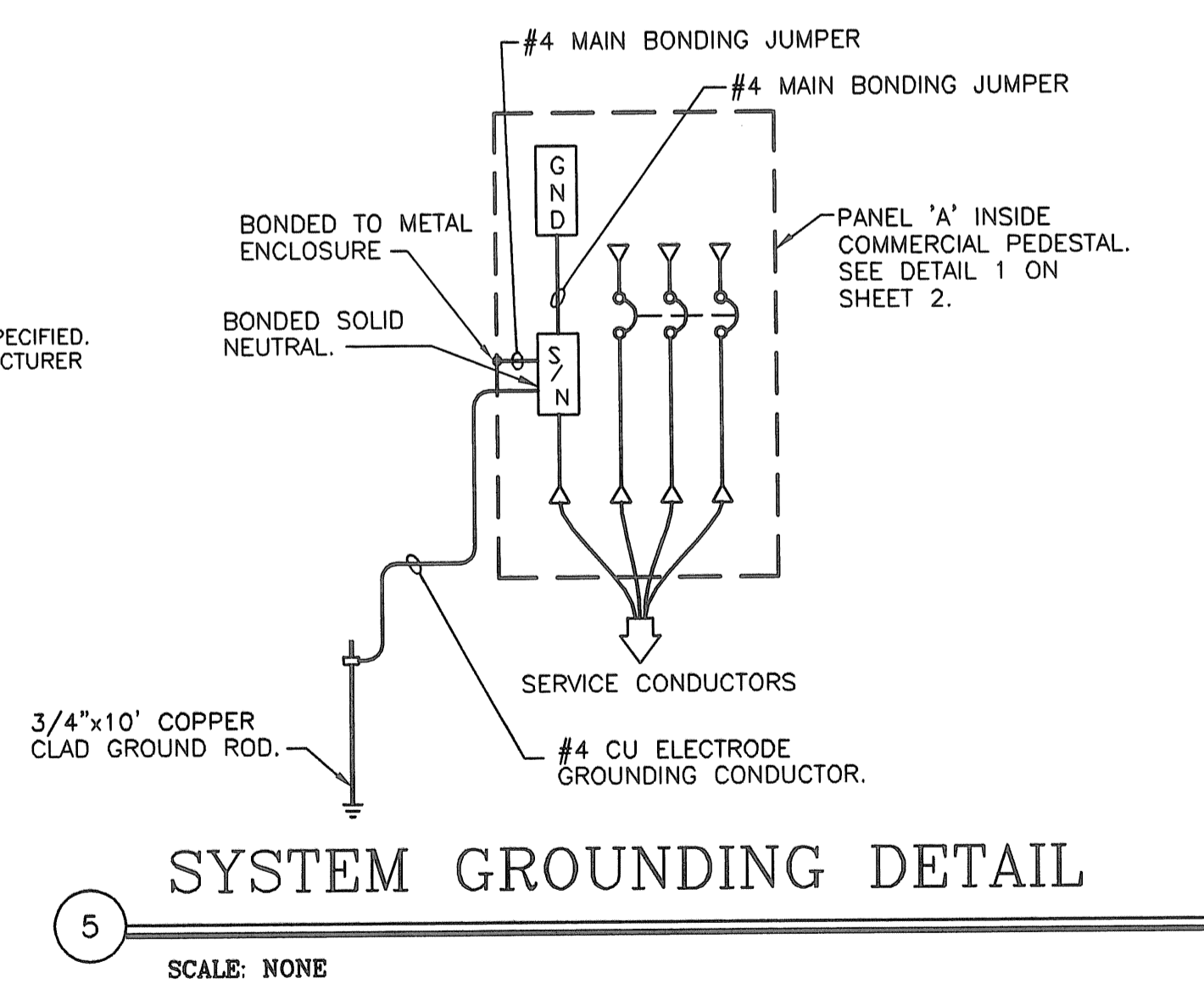
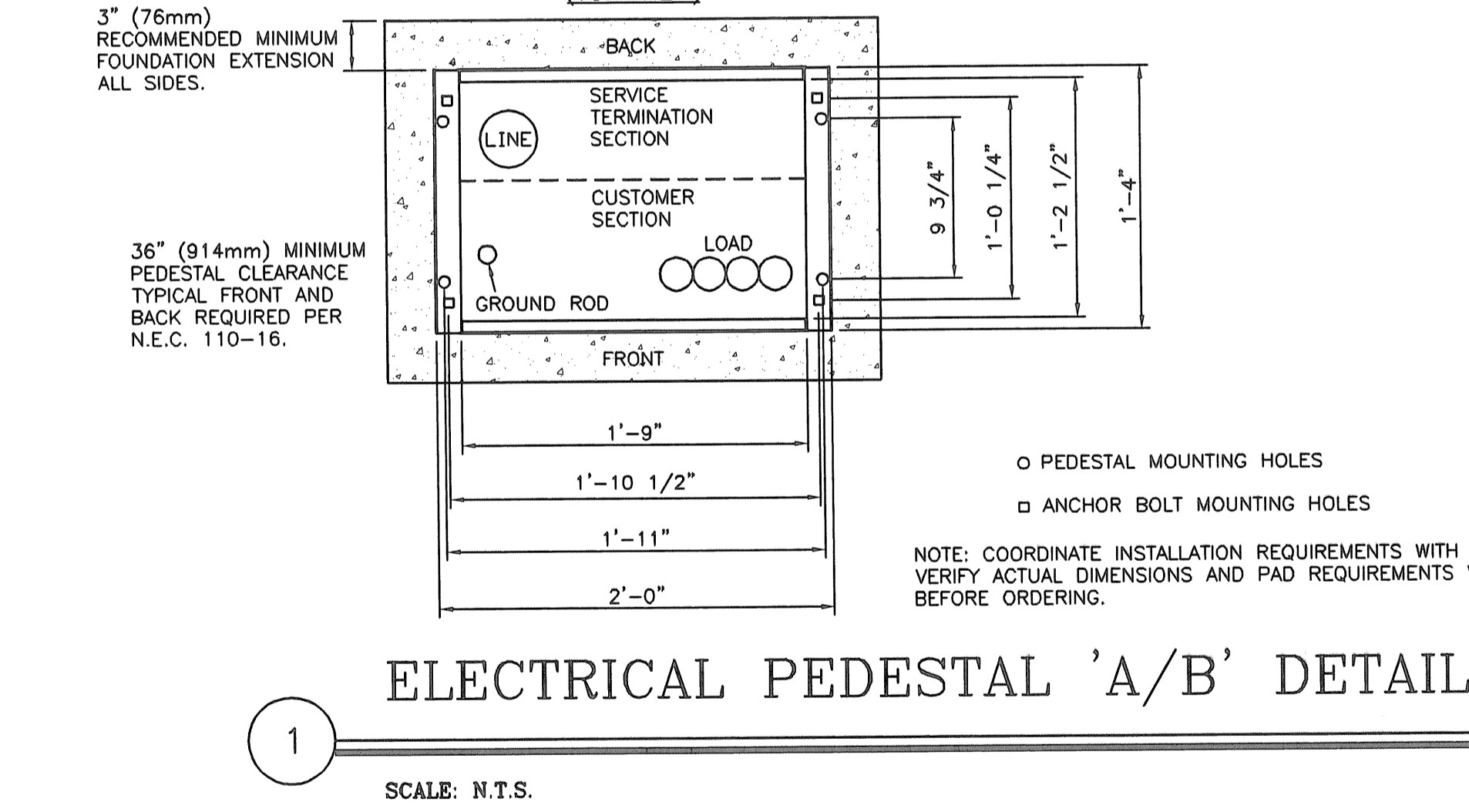
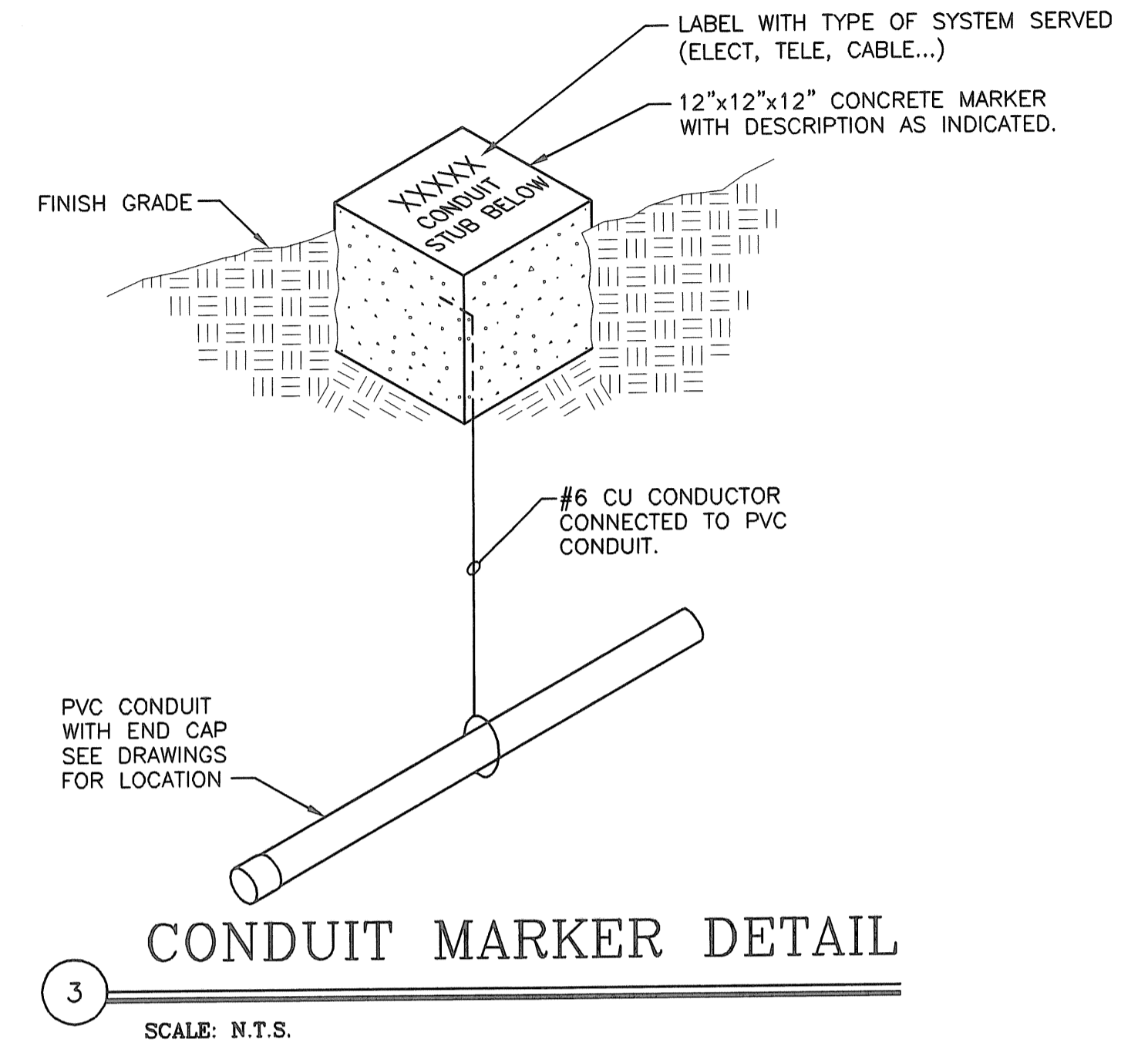
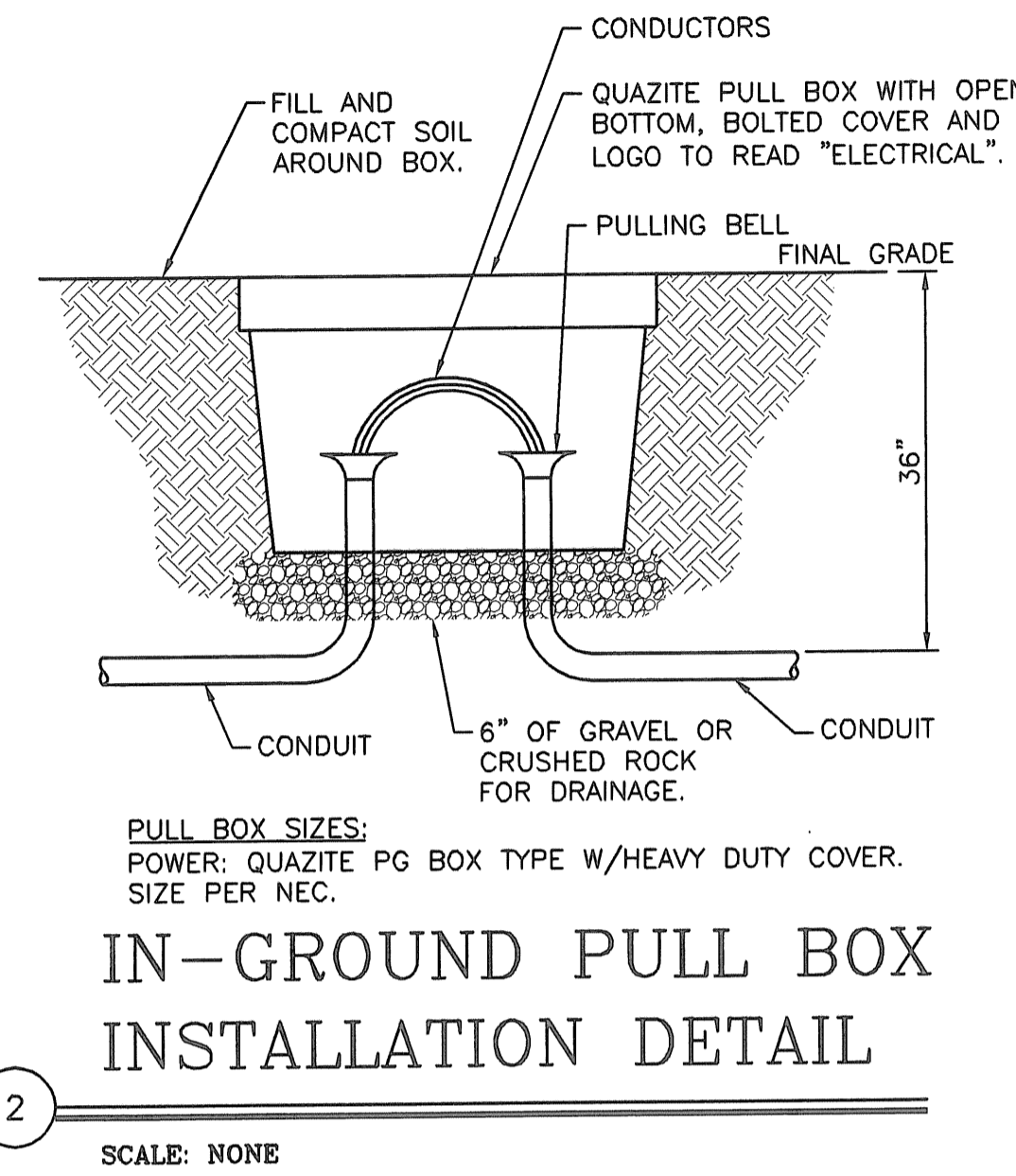
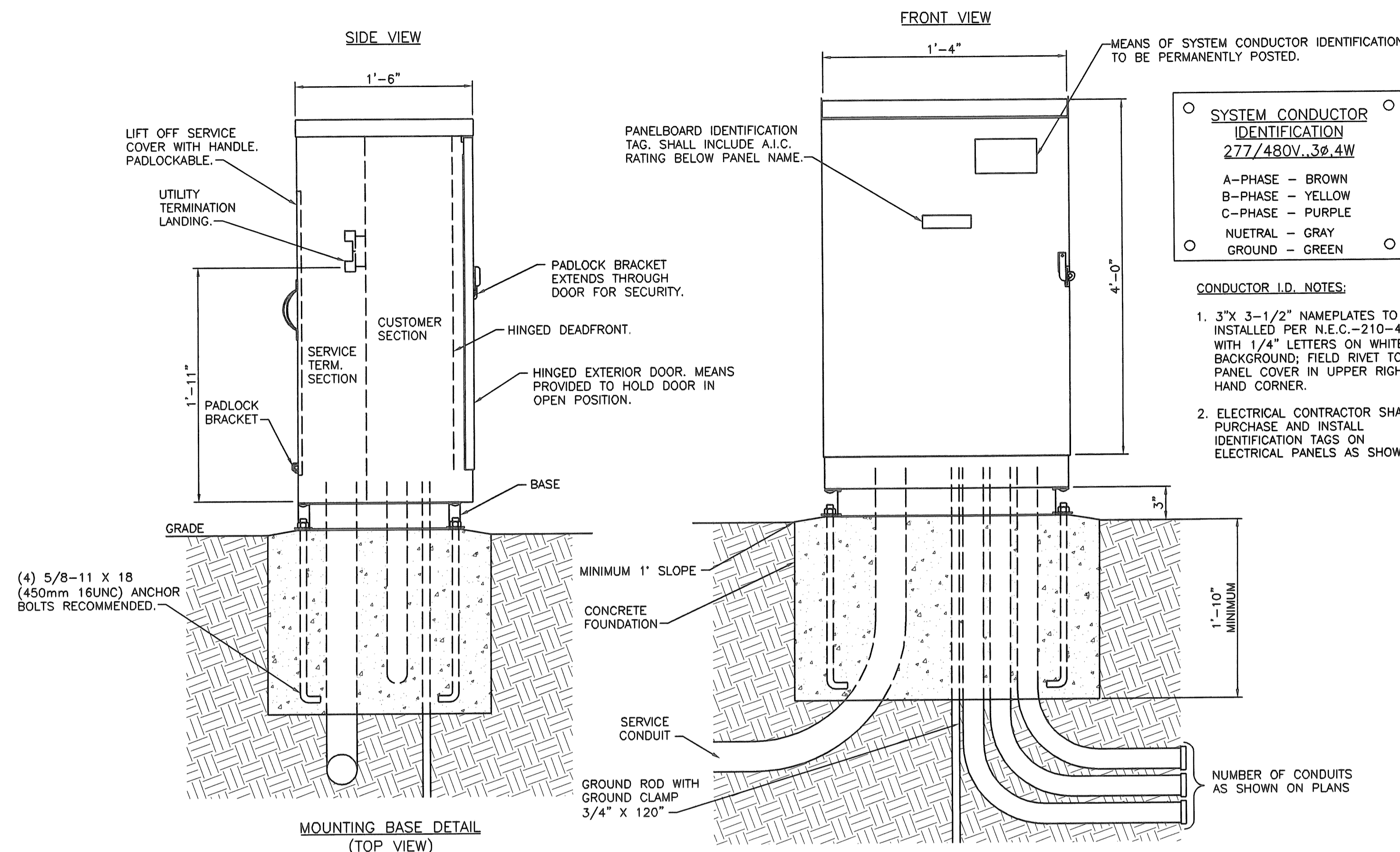
DRAWN BY
MKEC

CHECKED BY
GJA

ISSUED
July 2008

REVISED

SHEET NO.



7/23/08

PLOTTED: Wednesday, July 23, 2008 @ 01:54PM