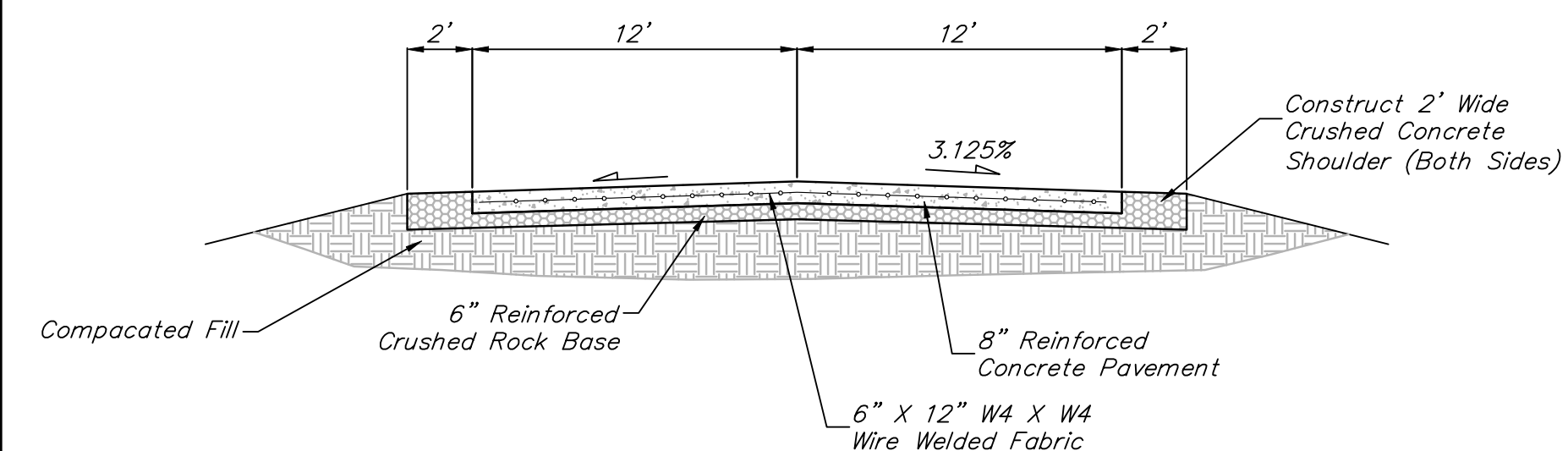


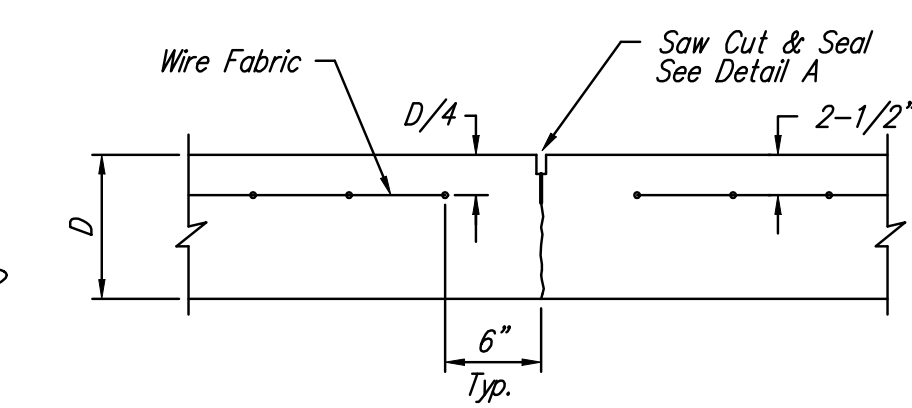
ACCESS DRIVE JOINT PLAN



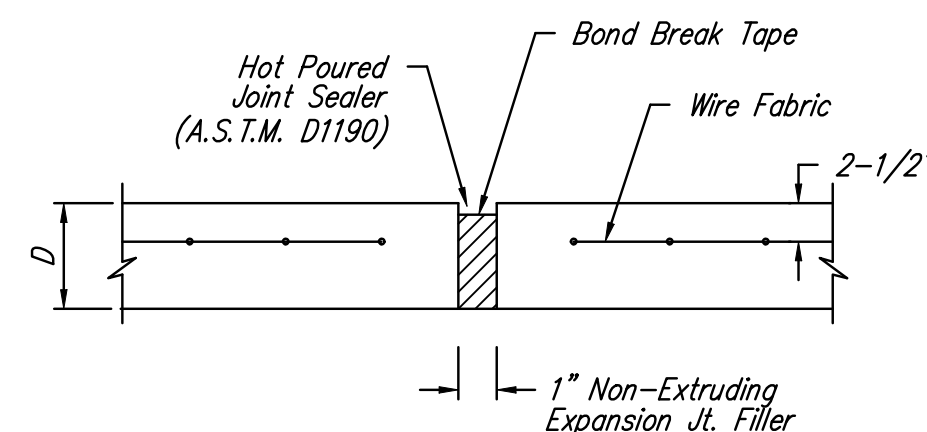
ACCESS DRIVE DETAIL

FOR INFORMATION ONLY. Cost to be INCIDENTAL the Lump Sum Bid Item "Pump Station Module".

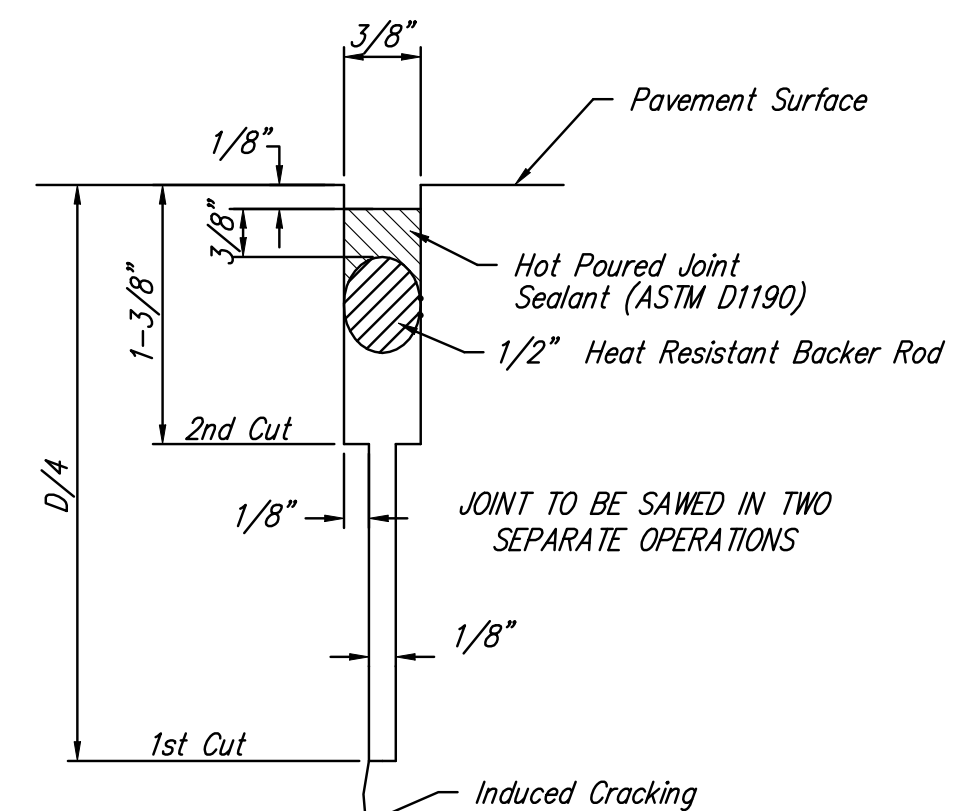
8' Chain Link Fence with 3 Strands Barbed Wire	95 L.F.
12' Chain Link Gate w/ Exterior Padlock	1
8" Reinforced Concrete Pavement (Access Drive)	859 S.Y.
6" Reinf. Crushed Rock Base (Includes 2' Shoulders)	1006 S.Y.
24" RCP (w/ End Sections)	42 L.F.
1" Water Service Line	Approx. 15 L.F.
Site Grading	Lump Sum
Tree Clearing	Lump Sum



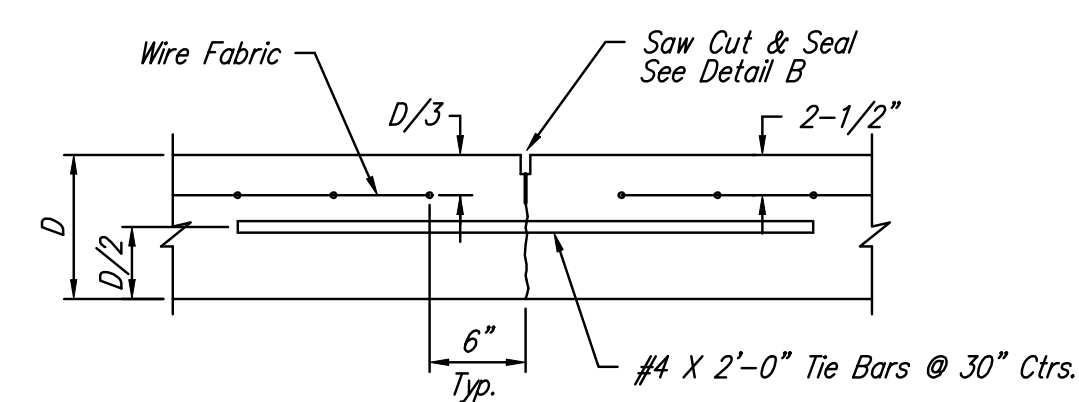
CONTRACTION JOINT DETAIL
REINFORCED PAVEMENT (C.J.)



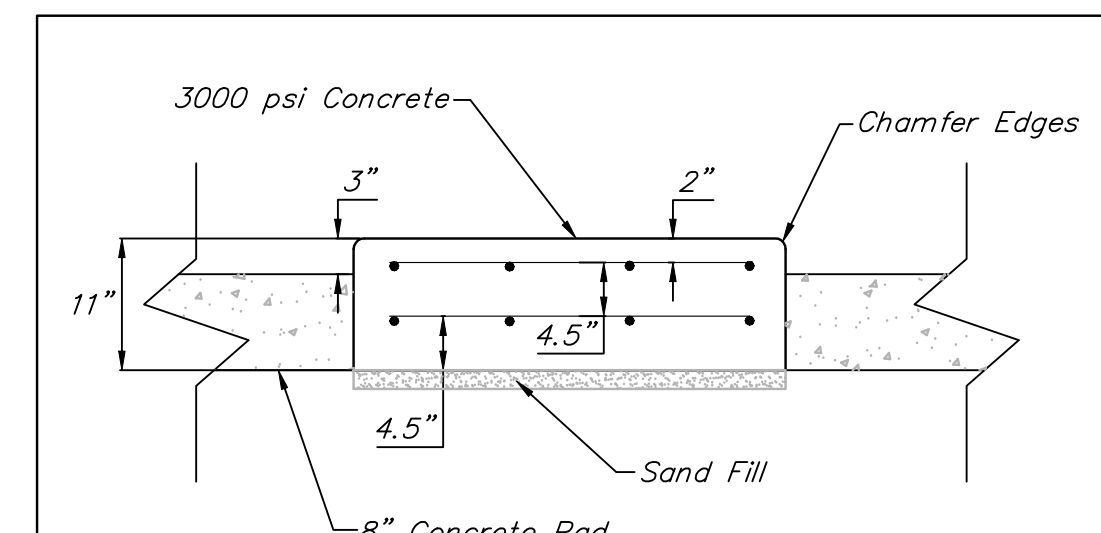
EXPANSION JOINT DETAIL
(E.J.)



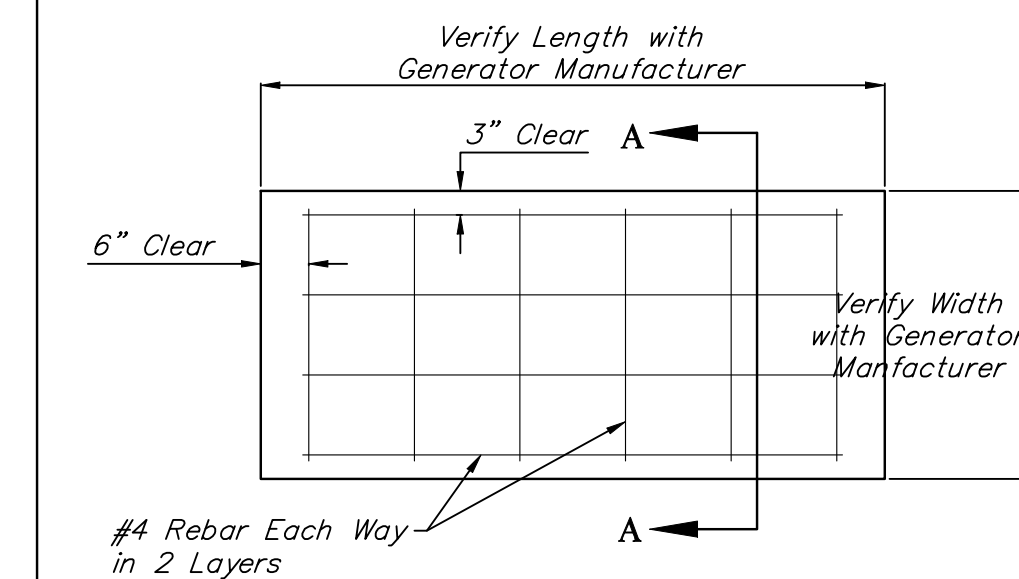
DETAIL A



LONGITUDINAL JOINT DETAIL
(L.J.)

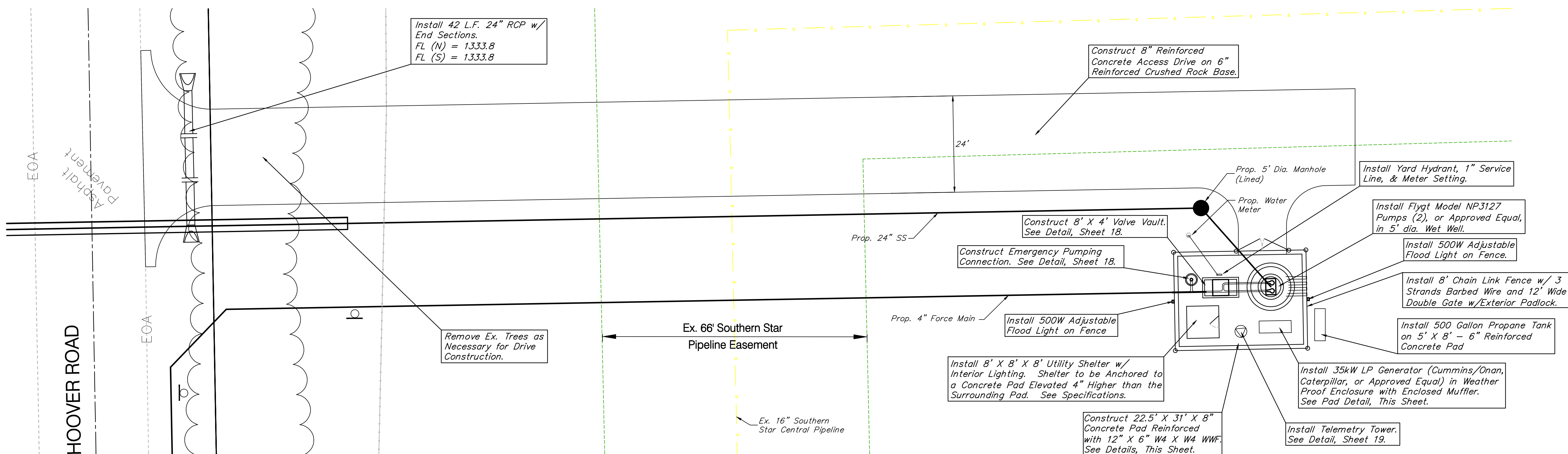


Section A-A



GENERATOR PAD DETAIL

Note: Contractor to Verify Design of Generator Pad with Generator Supplier or Manufacturer Prior to Pouring. Cost of Generator Pad to be Included in Lump Sum Bid Item "Pump Station Module."



PUMP STATION SITE PLAN

Drawing File: E:\eng\Edge Water Addition\Office\Details\Site Plan.dwg

Project No. 07-06-EB03
EDGE WATER ADDITION
PUMP STATION SITE PLAN
& PAVEMENT DETAILS
EDGE WATER SANITARY SEWER PUMP STATION

Design: TPV
Drawn: TPV
Approved: TPV
Scale: None

Baughman Company, P.A.
315 Ellis St. Wichita, KS 67211 P 316-262-7271 F 316-262-0149
ENGINEERING | SURVEYING | PLANNING | LANDSCAPE ARCHITECTURE

APRIL 2008
SHEET 17 OF 28