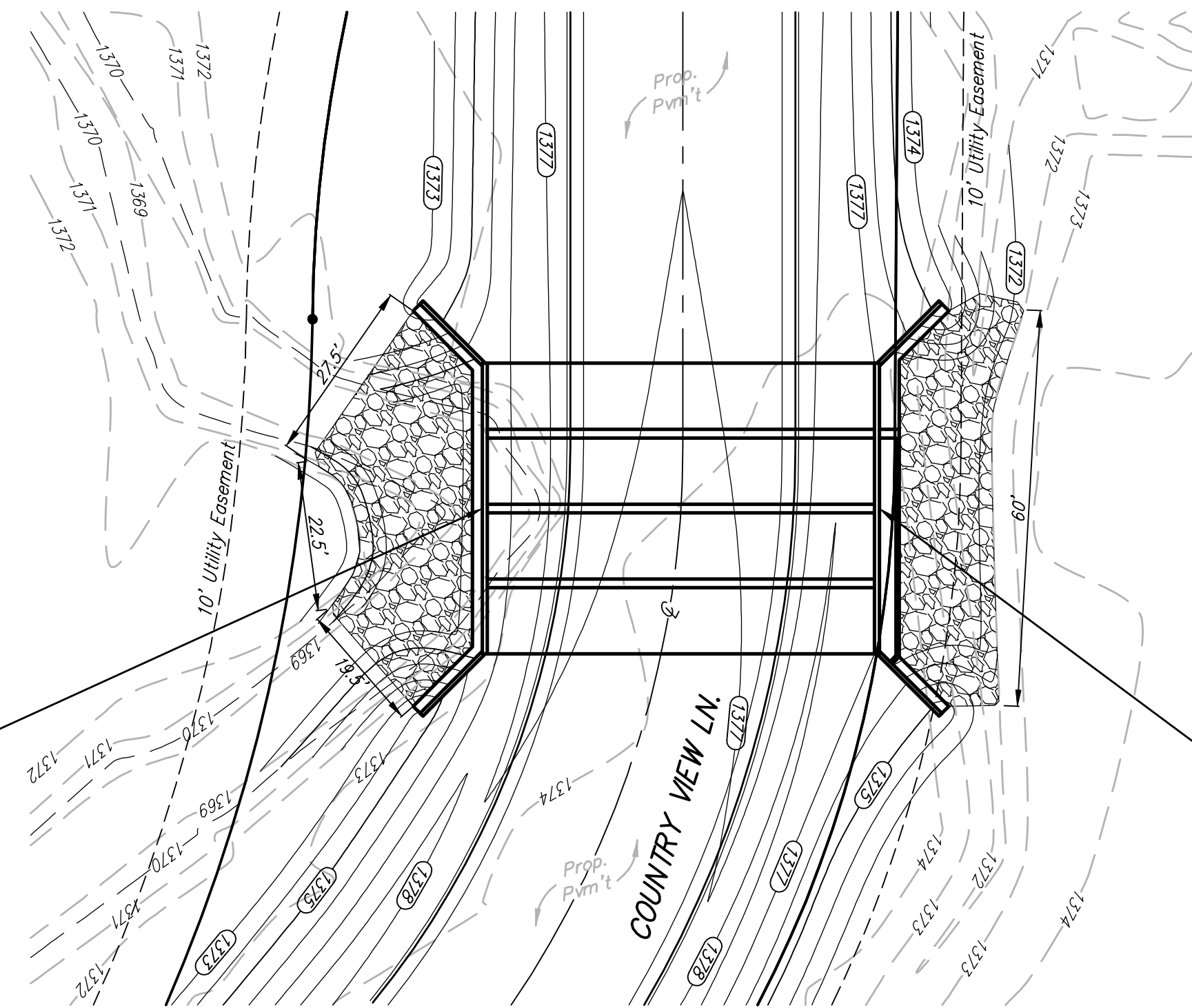


BENCHMARK:

BM #1: CITY OF WICHITA BENCHMARK DISC, TOP OF CURB AT WEST END OF CURB RETURN, NORTHWEST CORNER OF INTERSECTION OF CITY VIEW AND SHERIAC CIR. IN SHADOW WOODS ADDITION.
ELEV. = 1386.66 NGVD29

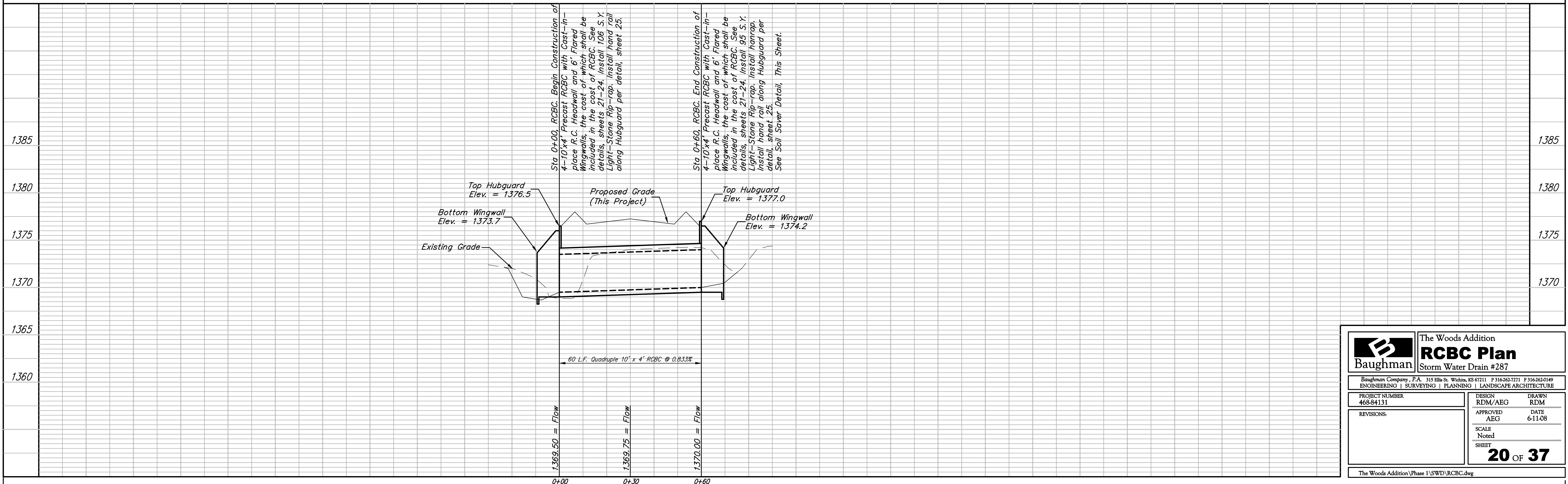
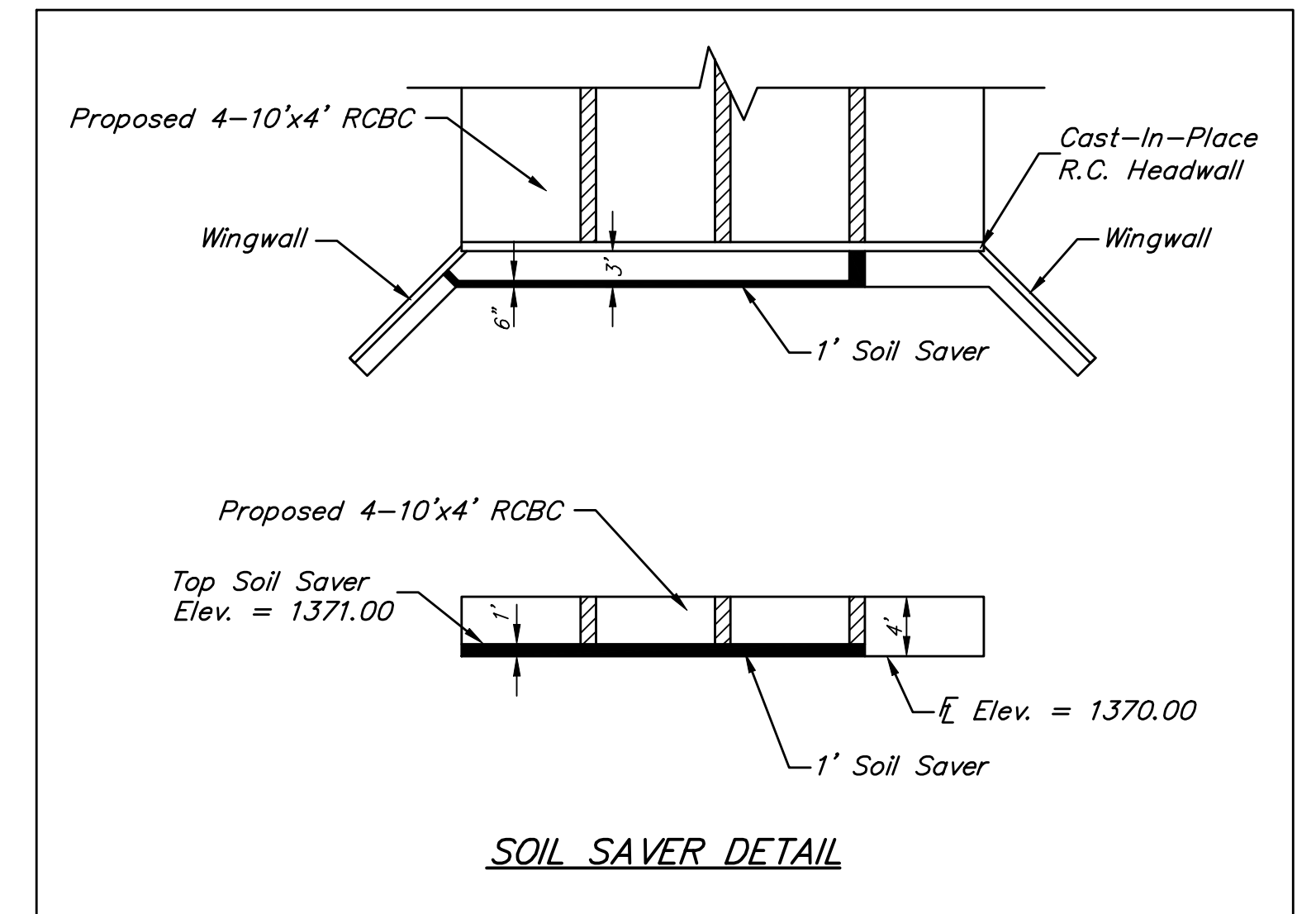
BM #2: CITY OF WICHITA BENCHMARK DISC, TOP OF CURB BY FIRE HYDRANT AT WEST END OF CURB RETURN, NORTHWEST CORNER OF INTERSECTION OF SHERIAC CIR. AND SHERIAC CT., SOUTH OF SE CORNER OF LOT 13, BLOCK B, SHADOW WOODS ADDITION.
ELEV. = 1392.11 NGVD29



Scale: 1" = 20' Horizontal
1" = 5' Vertical
● = Iron

Sta 0+00, RCBC. Begin Construction of 4-10'x4' Precast RCBC with Cast-in-place R.C. Headwall and 6' Flared Wingwalls, the cost of which shall be included in the cost of RCBC. See details, sheets 21-24. Install 106 S.Y. Heavy-Stone Rip-rap. Install hand rail along Hubguard per detail, sheet 25.

Sta 0+60, RCBC. End Construction of 4-10'x4' Precast RCBC with Cast-in-place R.C. Headwall with Soil Saver and 6' Flared Wingwalls, the cost of which shall be included in the cost of RCBC. See details, sheets 21-24. Install 95 S.Y. Heavy-Stone Rip-rap. Install hand rail along Hubguard per detail, sheet 25. See Soil Saver Detail, This Sheet.



| | | | |
|--|-------------------|--|-----------------|
| | | The Woods Addition RCBC Plan Storm Water Drain #287 | |
| <small>Baughman Company, P.A. 315 Ellis St. Wichita, KS 67211 P 316-262-7271 F 316-262-0149 ENGINEERING SURVEYING PLANNING LANDSCAPE ARCHITECTURE</small> | | | |
| PROJECT NUMBER 468-84131 | DESIGN RDM/AEG | DRAWN RDM | DATE 6-11-08 |
| REVISIONS: | APPROVED AEG | SCALE Noted SHEET 20 OF 37 | |
| <small>The Woods Addition\Phase 1\SWD\RCBC.dwg</small> | | | |